



US00D936067S

(12) **United States Design Patent**
Kanter et al.

(10) **Patent No.:** **US D936,067 S**

(45) **Date of Patent:** **** Nov. 16, 2021**

- (54) **VERTICAL LAPTOP STAND**
- (71) Applicant: **HUMANCENTRIC VENTURES LLC, Skokie, IL (US)**
- (72) Inventors: **Simcha Kanter, Skokie, IL (US); Oluwadurotimi Solola, Chicago, IL (US)**
- (73) Assignee: **Humancentric Ventures LLC, Skokie, IL (US)**

D647,907 S *	11/2011	Perry	D14/434
D648,339 S *	11/2011	O'Neil	D14/434
D667,403 S *	9/2012	Maus	D14/385
D702,664 S *	4/2014	Kim	D14/217
D706,784 S *	6/2014	Mills	D14/447
D726,187 S *	4/2015	Young	D14/434
D806,081 S *	12/2017	Avganim	D14/440
D828,361 S *	9/2018	Turksu	D14/447
D894,907 S *	9/2020	Deng	D14/434
D917,495 S *	4/2021	Hatfield	D14/447
D924,131 S *	7/2021	Kuo	D13/108

* cited by examiner

(**) Term: **15 Years**

Primary Examiner — Angela J Lee

(21) Appl. No.: **29/748,060**

(74) *Attorney, Agent, or Firm* — Johnson Legal PLLC

(22) Filed: **Aug. 27, 2020**

(51) **LOC (13) Cl.** **08-07**

(52) **U.S. Cl.**
USPC **D14/447**

(58) **Field of Classification Search**
USPC D14/447, 432, 434, 439, 440, 451, 452,
D14/457, 239, 253; D8/363, 373, 380;
D6/406.3, 406.4, 406.5, 406.6; D12/415;
D13/108
CPC A47B 21/04; A47B 2097/006; A47B
2097/005; A47B 2023/049; A45C
2011/002; A45C 2011/003; F16M
2200/00; F16M 13/00
See application file for complete search history.

(57) **CLAIM**

The ornamental design for a vertical laptop stand, as shown and described.

DESCRIPTION

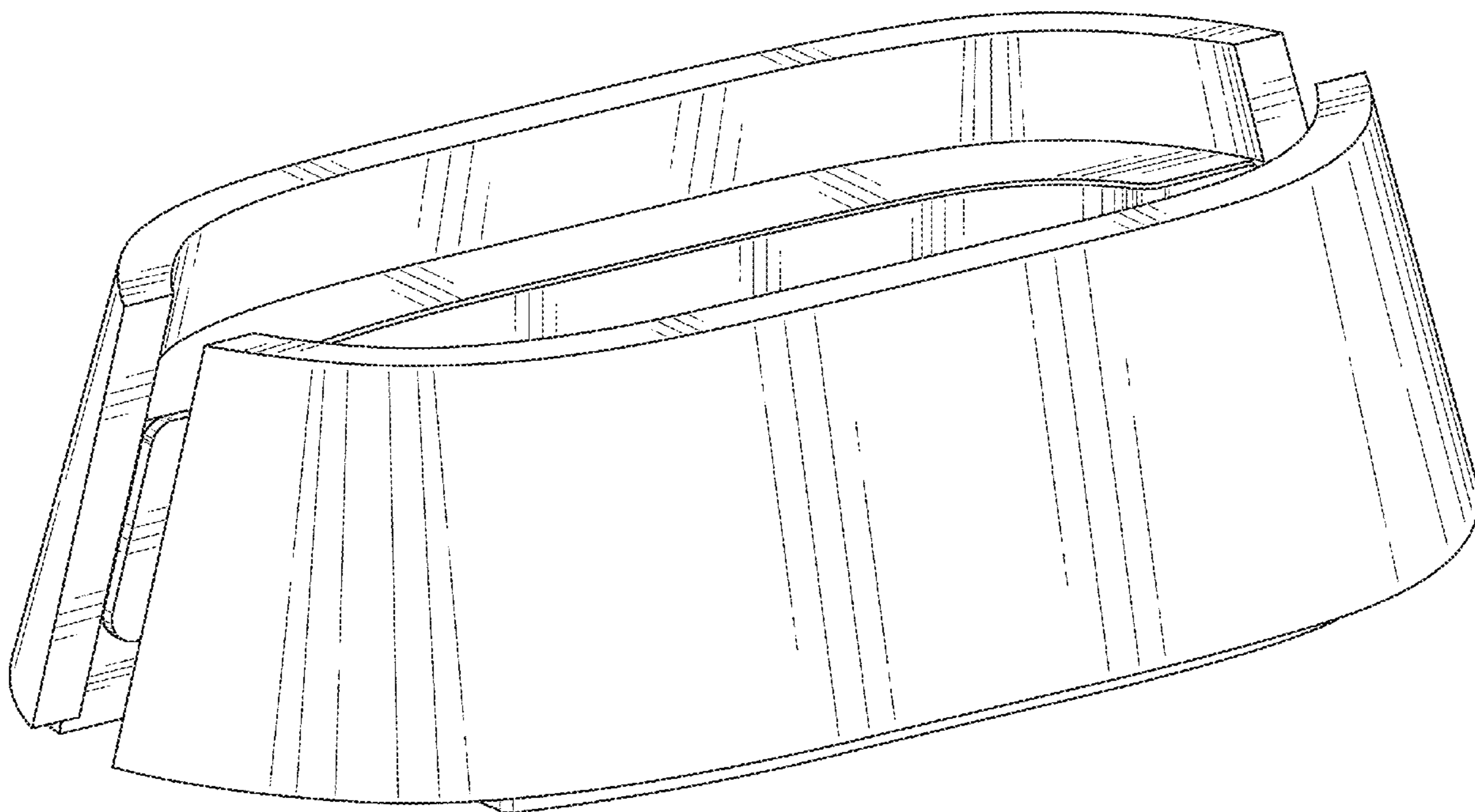
FIG. 1 shows a front perspective view of the claimed design. FIG. 2 is a top view of the claimed design. FIG. 3 is a bottom view of the claimed design. FIG. 4 is a right side view of the claimed design. FIG. 5 is a left side view of the claimed design. FIG. 6 is a rear view of the claimed design; and, FIG. 7 is a front view of the claimed design.

(56) **References Cited**

U.S. PATENT DOCUMENTS

D640,699 S *	6/2011	McParland	D14/434
D647,525 S *	10/2011	Seto	D14/434

1 Claim, 7 Drawing Sheets



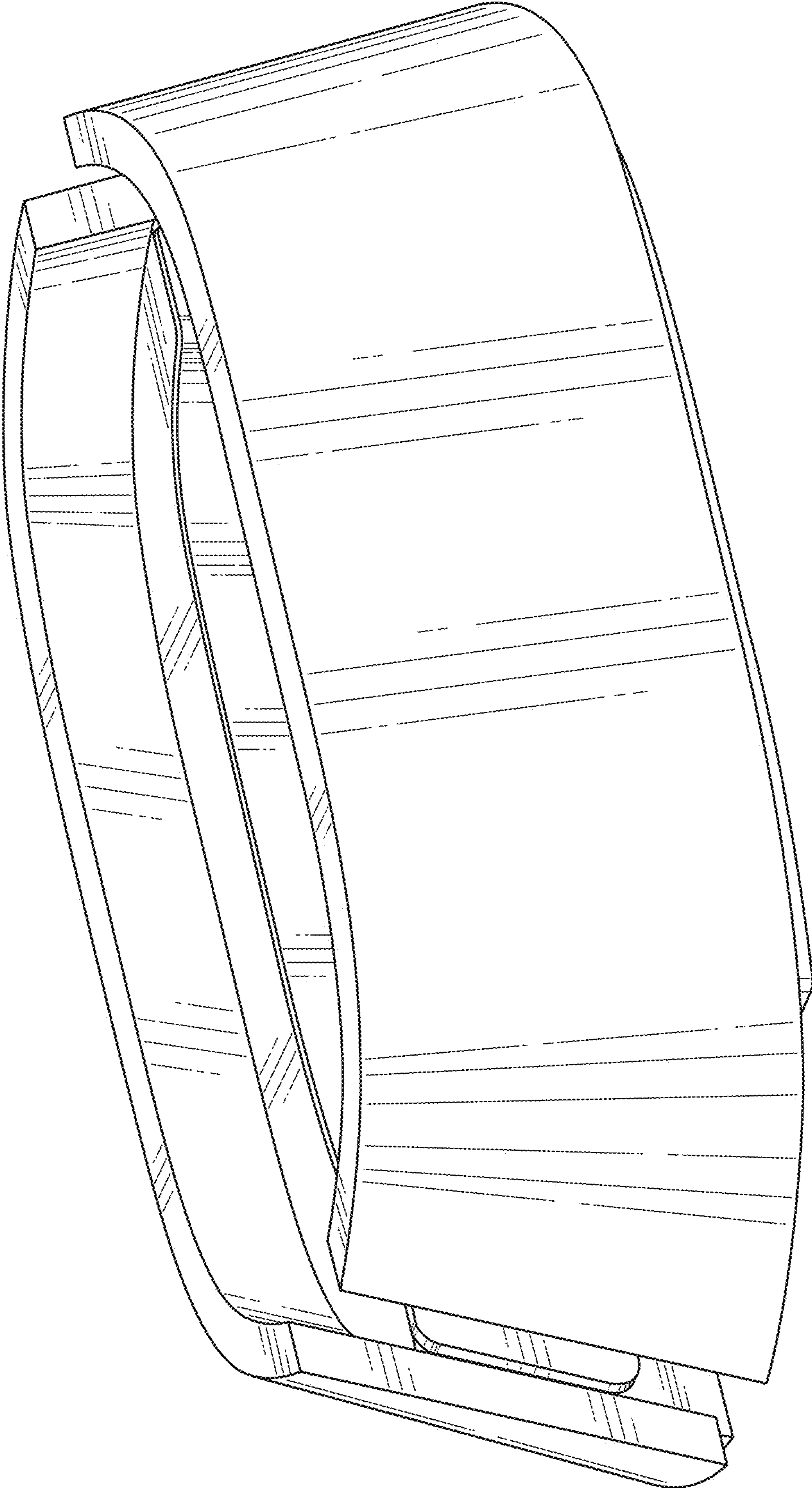


FIG. 1

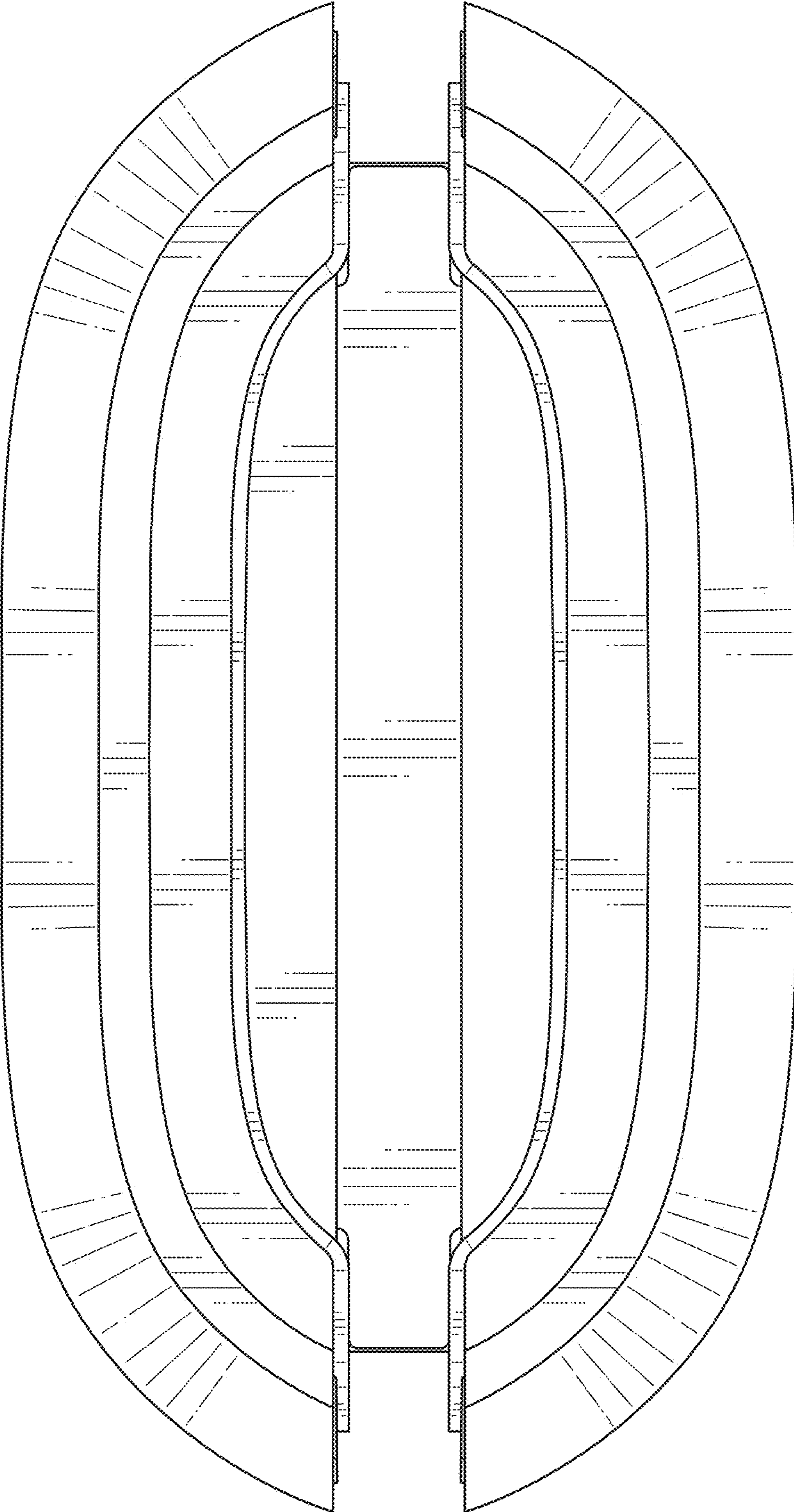


FIG. 2

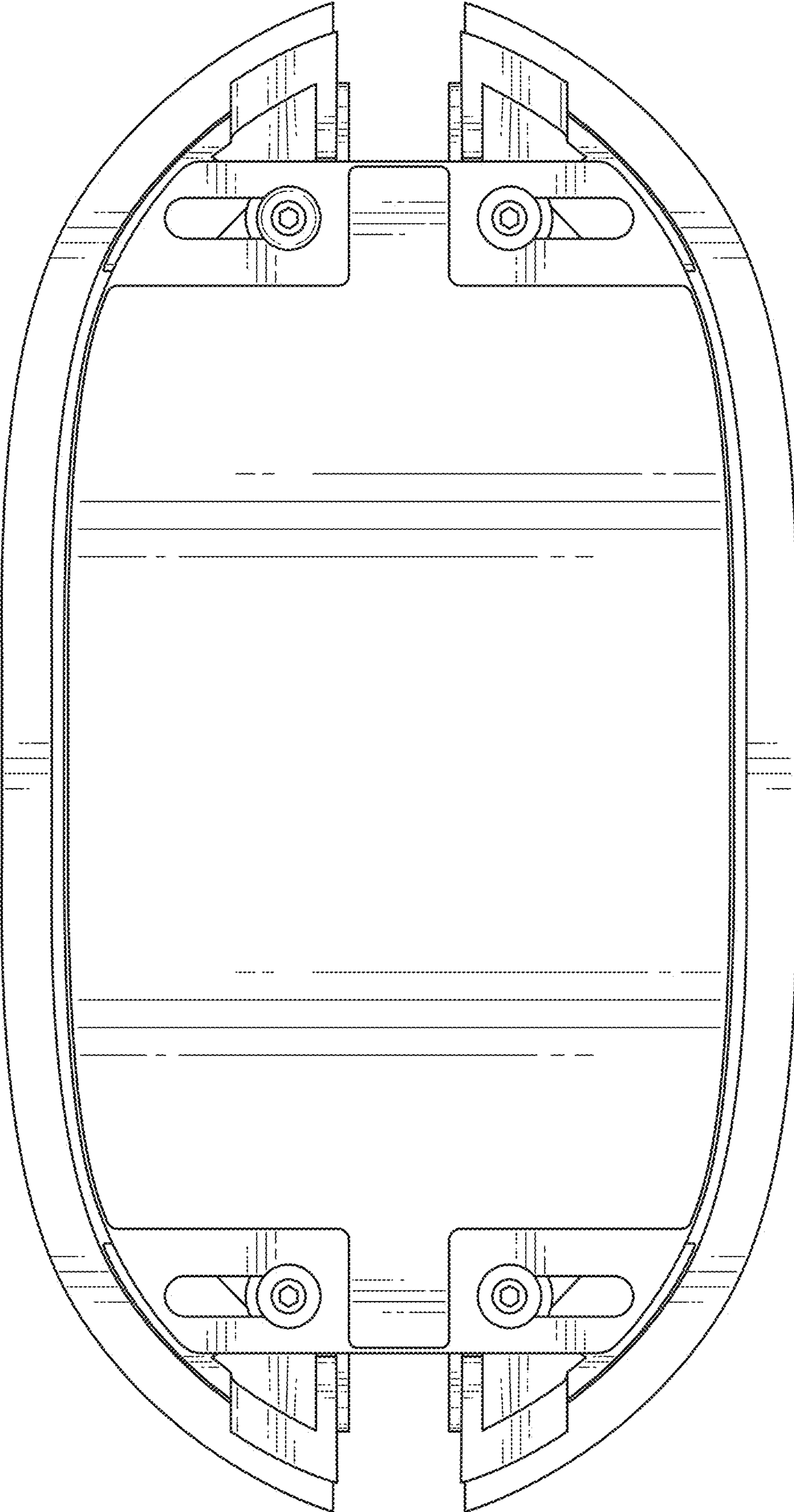


FIG. 3

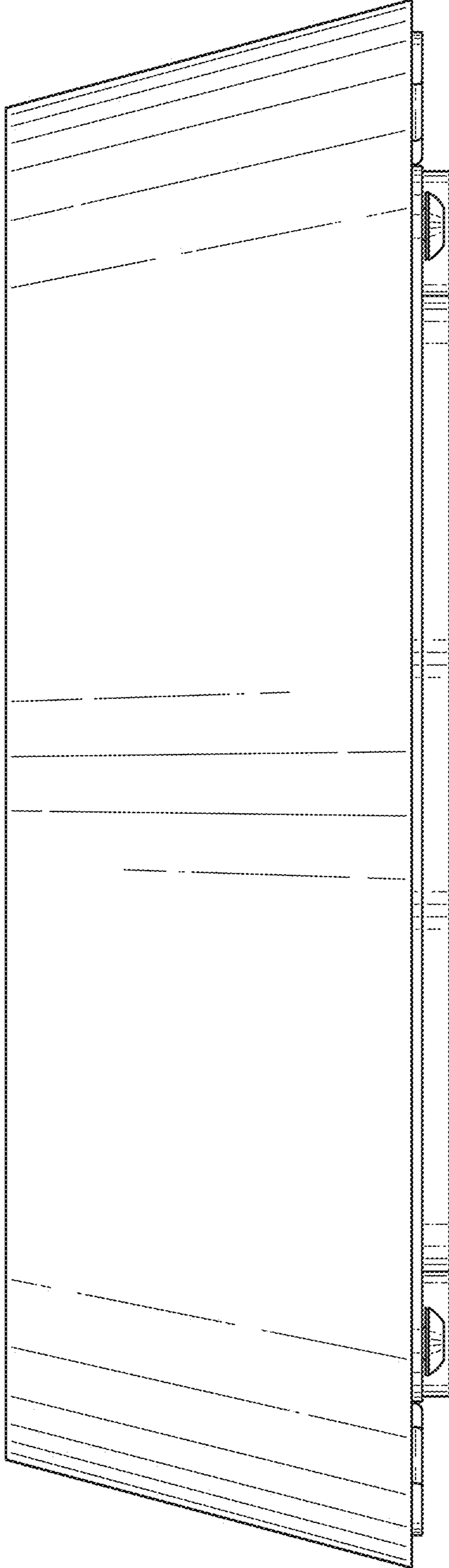


FIG. 4

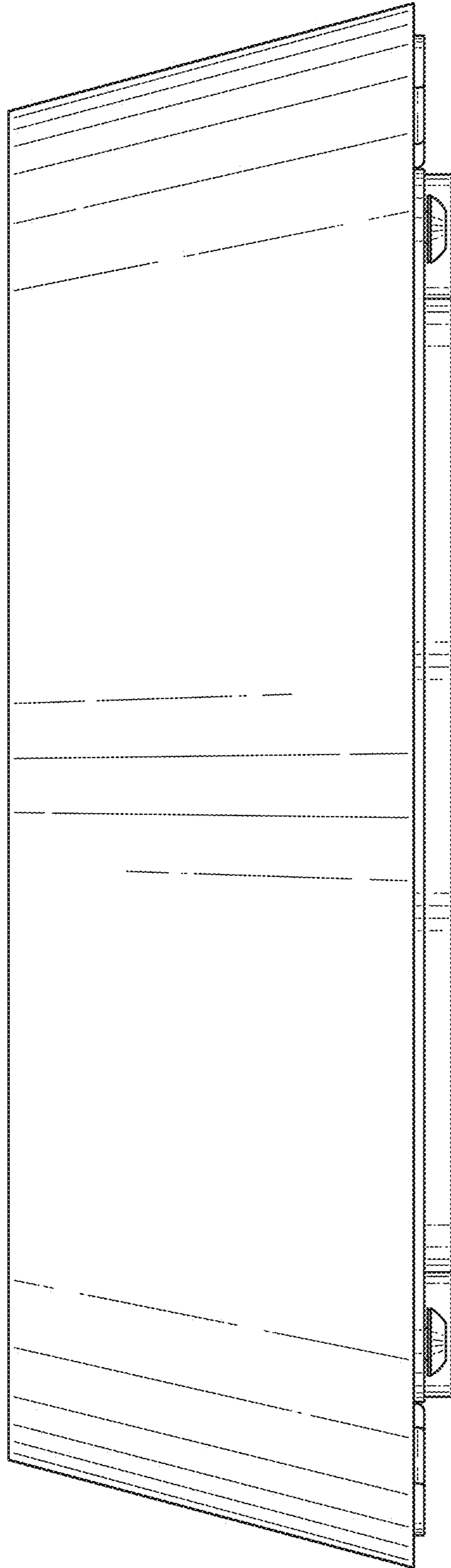


FIG. 5

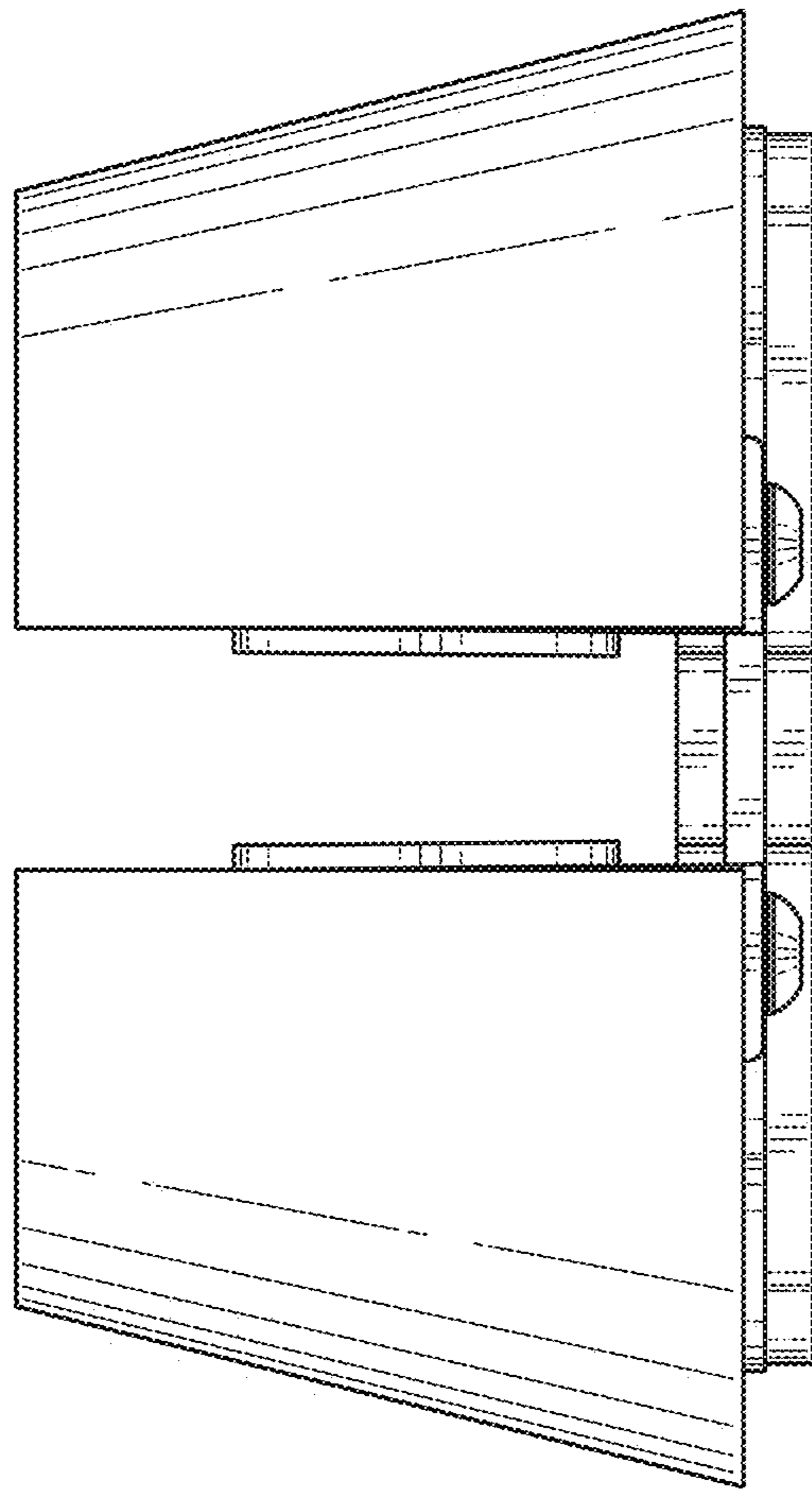


FIG. 6

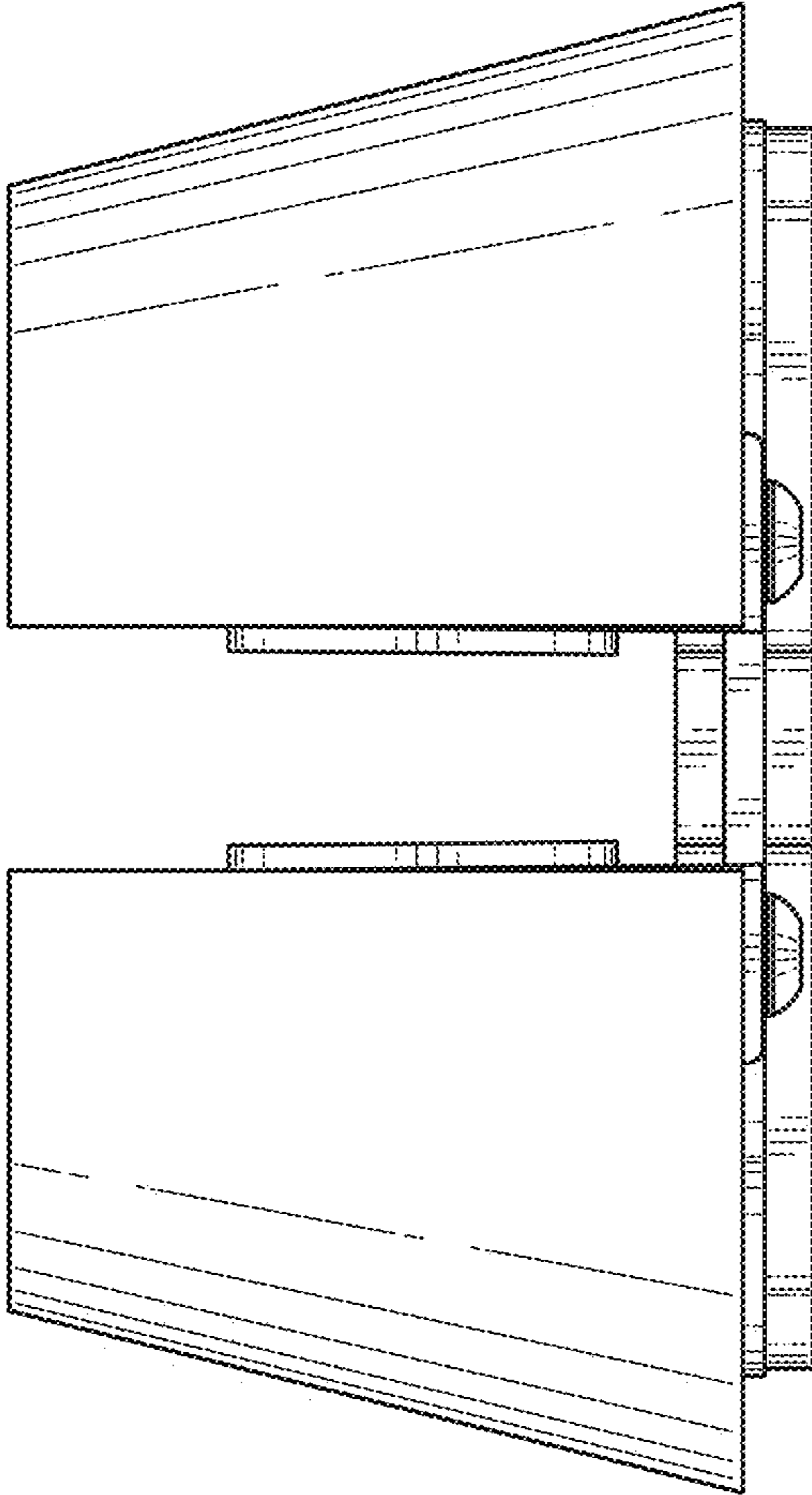


FIG. 7