

US00D936066S

(12) **United States Design Patent**  
**Turksu et al.**

(10) **Patent No.:** **US D936,066 S**

(45) **Date of Patent:** **\*\* Nov. 16, 2021**

(54) **DUAL STAND FOR ELECTRONIC DEVICES**

(71) Applicant: **SARIANA, LLC**, San Diego, CA (US)

(72) Inventors: **Alan Turksu**, San Diego, CA (US);  
**Mustafa Burak Guclu**, San Diego, CA (US)

(73) Assignee: **SARIANA, LLC**, San Diego, CA (US)

(\*\*) Term: **15 Years**

(21) Appl. No.: **29/747,972**

(22) Filed: **Aug. 26, 2020**

(51) **LOC (13) Cl.** ..... **08-07**

(52) **U.S. Cl.**  
USPC ..... **D14/447**

(58) **Field of Classification Search**  
USPC ..... D14/447, 432, 434, 439, 440, 451, 452,  
D14/457, 239, 253; D8/363, 373, 380;  
D6/406.3, 406.4, 406.5, 406.6; D12/415;  
D13/108

CPC ..... A47B 21/04; A47B 2097/006; A47B  
2097/005; A47B 2023/049; A45C  
2011/002; A45C 2011/003; F16M  
2200/00; F16M 13/00

See application file for complete search history.

(56) **References Cited**

U.S. PATENT DOCUMENTS

D590,404 S *	4/2009	Kim	.....	D14/447
D639,301 S *	6/2011	Anderson	.....	D14/434
D639,816 S	6/2011	Bau		
D647,881 S *	11/2011	Warner	.....	D14/217
D665,812 S	8/2012	Huang et al.		
D667,012 S	9/2012	Chen et al.		
D676,832 S *	2/2013	Akana	.....	D14/217
D677,261 S	3/2013	Hsu et al.		
D678,886 S	3/2013	Heckler		
D699,297 S	2/2014	Bahsoun et al.		

D705,722 S *	5/2014	Gengler	.....	D13/107
D705,785 S	5/2014	Wang		
D714,297 S *	9/2014	Poulsen	.....	D14/447
D716,817 S	11/2014	Yang		
D718,771 S	12/2014	Huang		
D721,710 S	1/2015	Messing		
D726,733 S	4/2015	Specht et al.		
D730,090 S *	5/2015	Christal	.....	D6/675.3
D752,595 S	3/2016	Heckler		
D754,668 S *	4/2016	Manabe	.....	D14/447
D771,052 S	11/2016	Zheng et al.		
D778,916 S	2/2017	Li		
D786,883 S	5/2017	Chen		
D804,490 S	12/2017	Wei		
D805,080 S	12/2017	Lakraa et al.		
D806,081 S *	12/2017	Avganim	.....	D14/440

(Continued)

*Primary Examiner* — Angela J Lee

(74) *Attorney, Agent, or Firm* — Wagenknecht IP Law Group PC

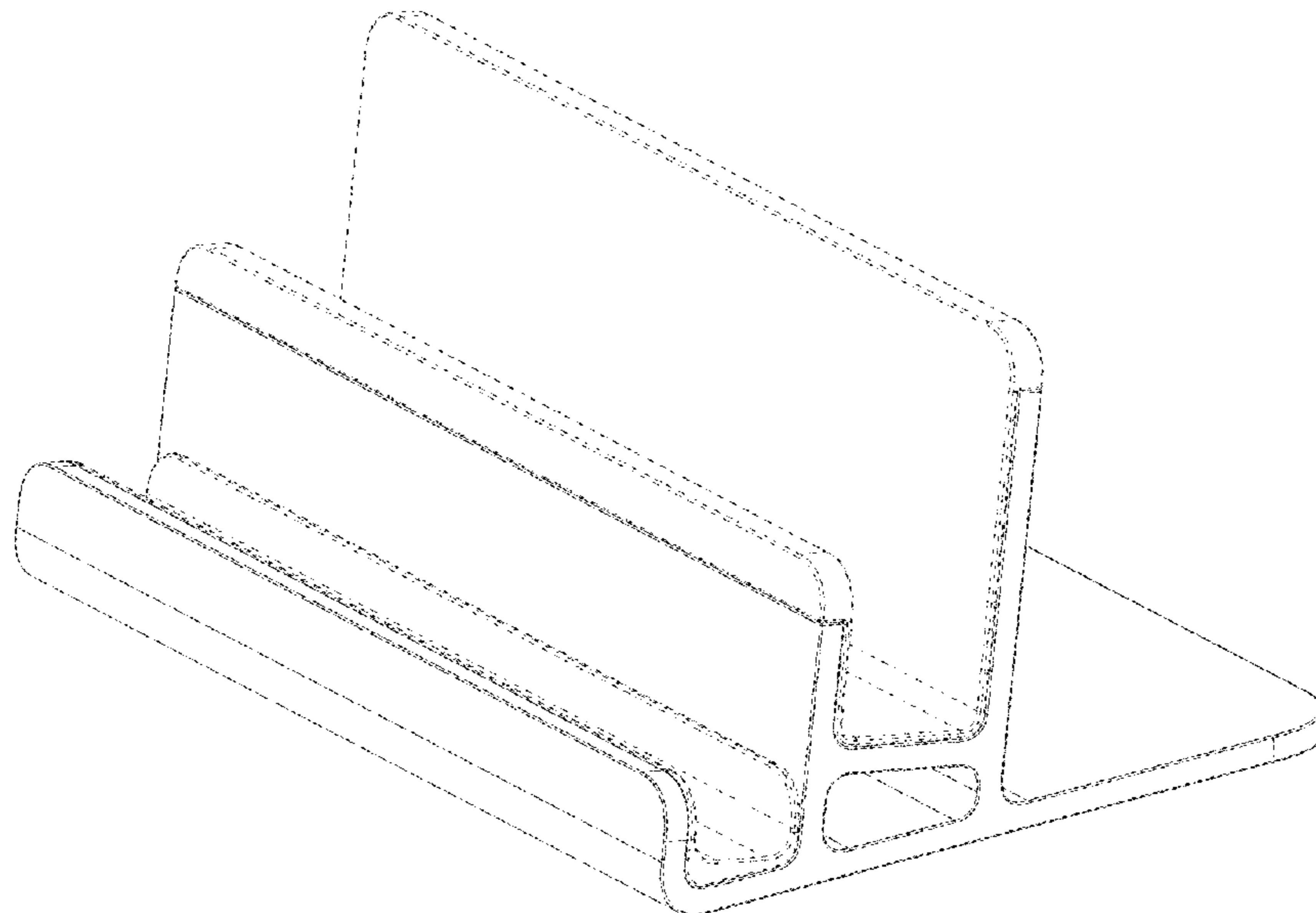
(57) **CLAIM**

The ornamental design for a dual stand for electronic devices, as shown and described.

**DESCRIPTION**

FIG. 1 is a front, top, and left side perspective view of a dual stand for electronic devices showing our new design; FIG. 2 is a rear, top and right side perspective view thereof; FIG. 3 is a front elevational view thereof; FIG. 4 is a rear elevational view thereof; FIG. 5 is a left side elevational view thereof; FIG. 6 is a right side elevational view thereof; FIG. 7 is a top plan view thereof; FIG. 8 is a bottom plan view thereof; and, FIG. 9 is a front, top and left perspective view thereof, shown holding two electronic devices. The broken lines are for illustrative purposes only and form no part of the claimed design.

**1 Claim, 9 Drawing Sheets**



(56)

**References Cited**

U.S. PATENT DOCUMENTS

D824,914 S	8/2018	Okuley	
D824,915 S	8/2018	Hsu et al.	
D833,447 S	11/2018	Zhang et al.	
D845,307 S	4/2019	Hallar et al.	
D860,132 S *	9/2019	Fu .....	D13/108
D868,072 S	11/2019	Lei	
D868,073 S	11/2019	Smith	
D886,829 S	6/2020	Cheng	
D887,350 S *	6/2020	Yamamoto .....	D13/108
D894,907 S *	9/2020	Deng .....	D14/434
D896,170 S *	9/2020	Xiao .....	D13/108
D917,495 S *	4/2021	Hatfield .....	D14/447

\* cited by examiner

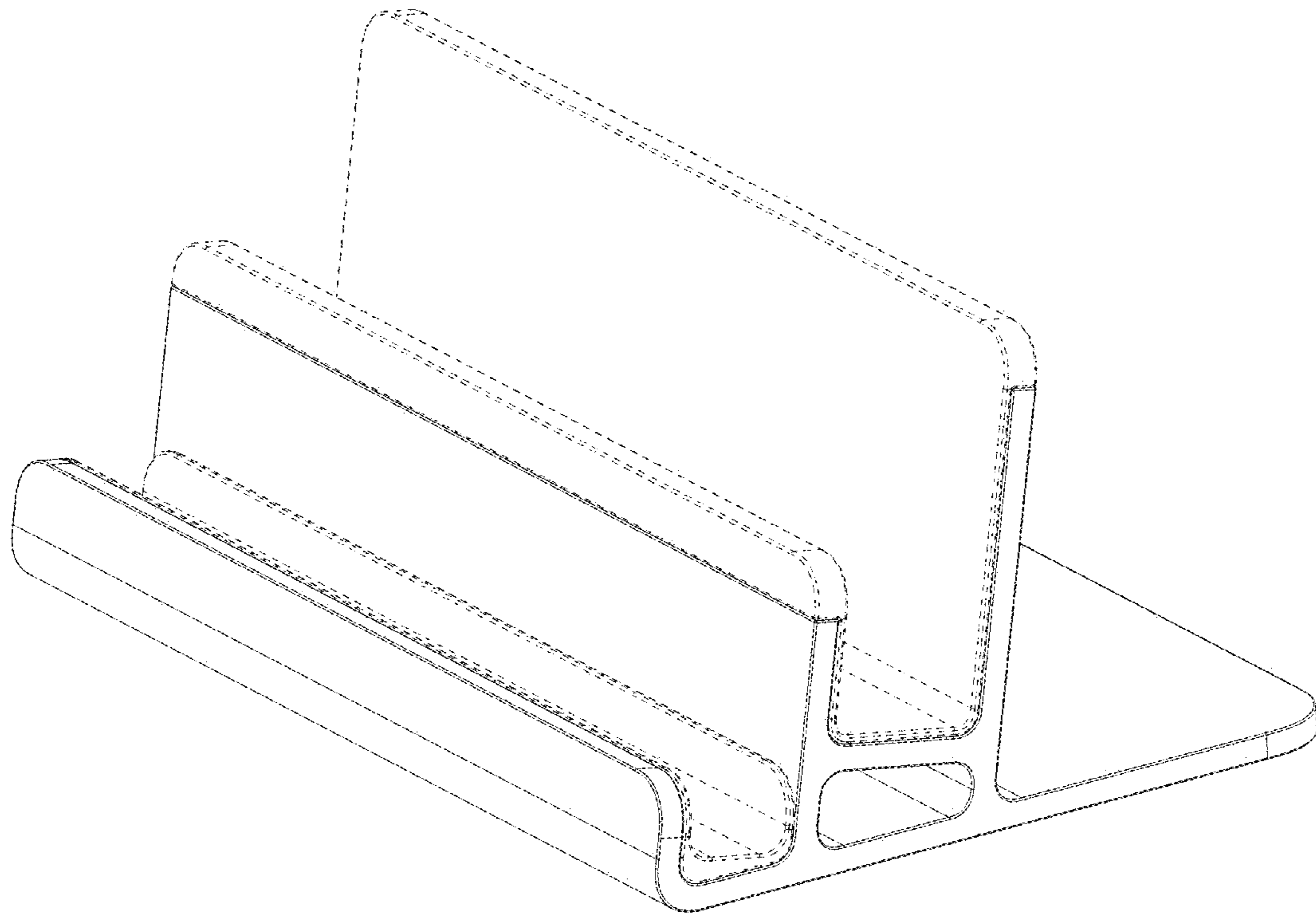


FIG. 1

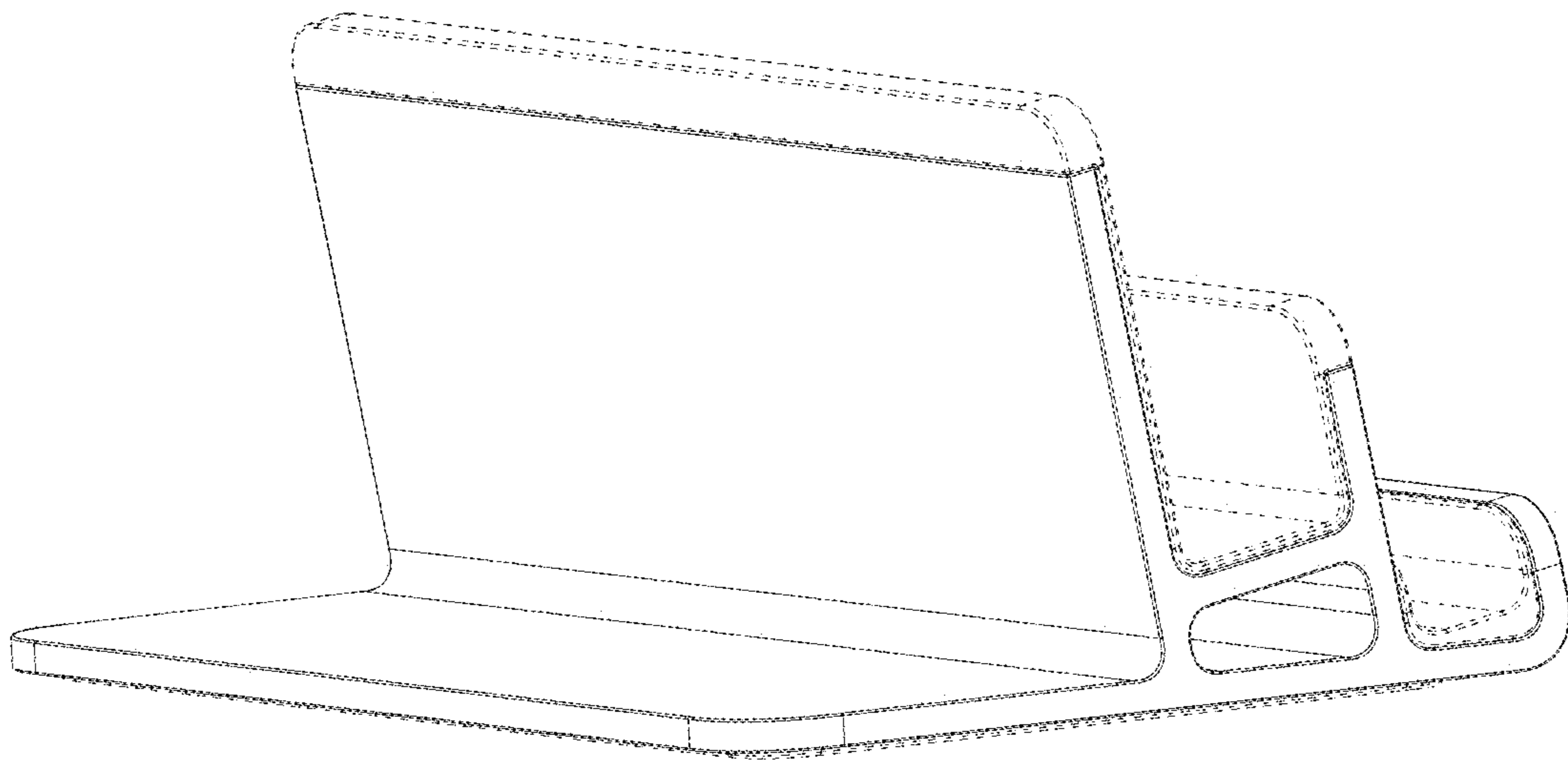


FIG. 2

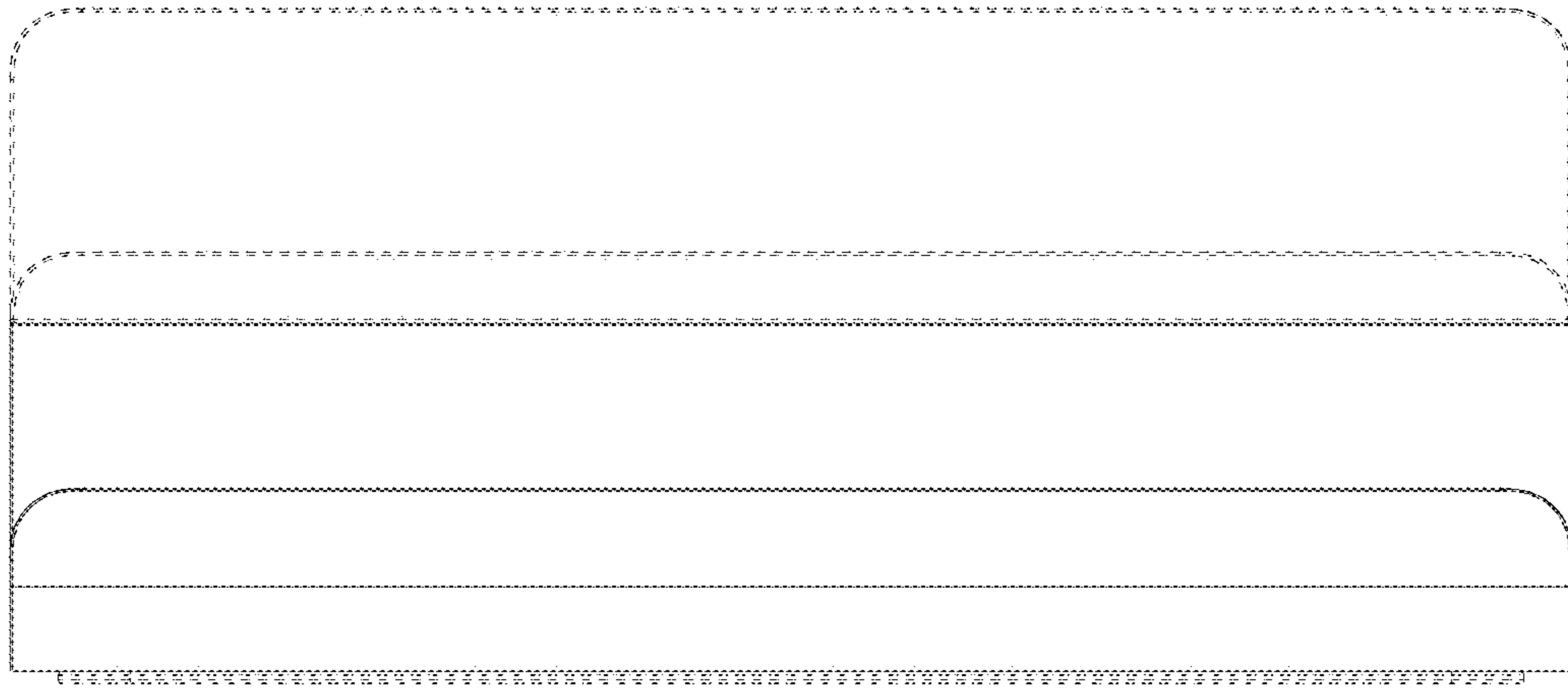


FIG. 3



FIG. 4

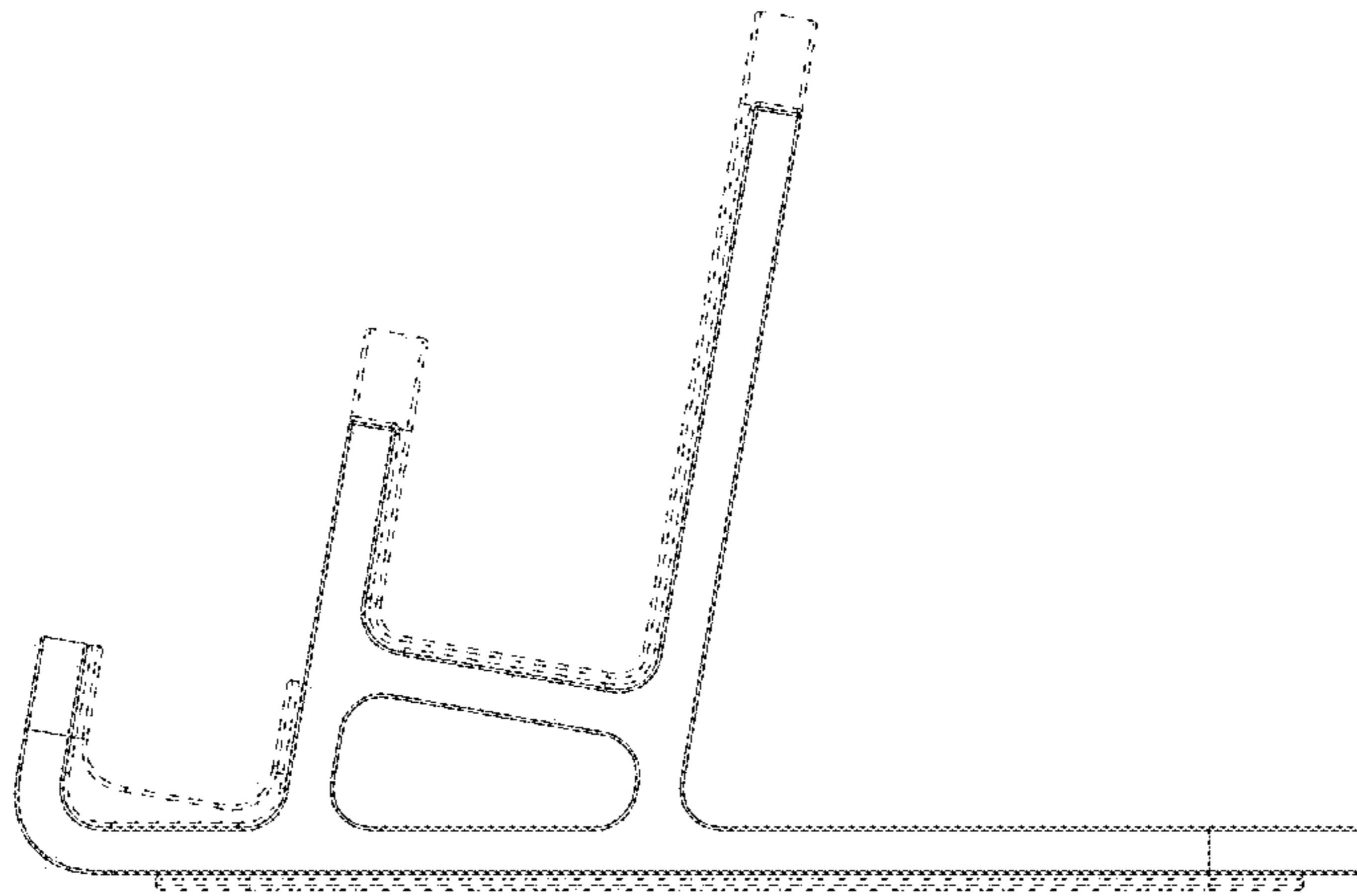


FIG. 5

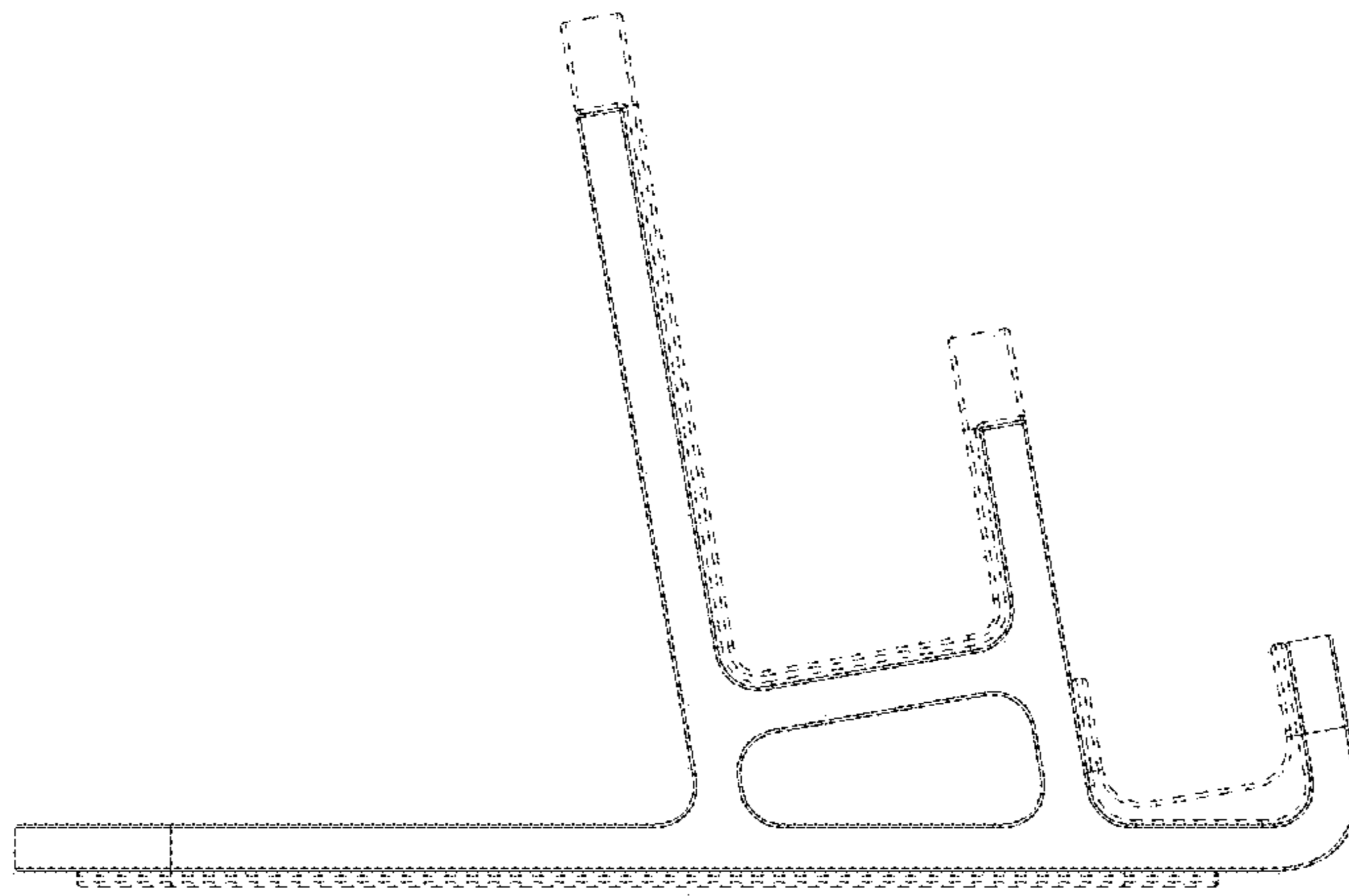


FIG. 6



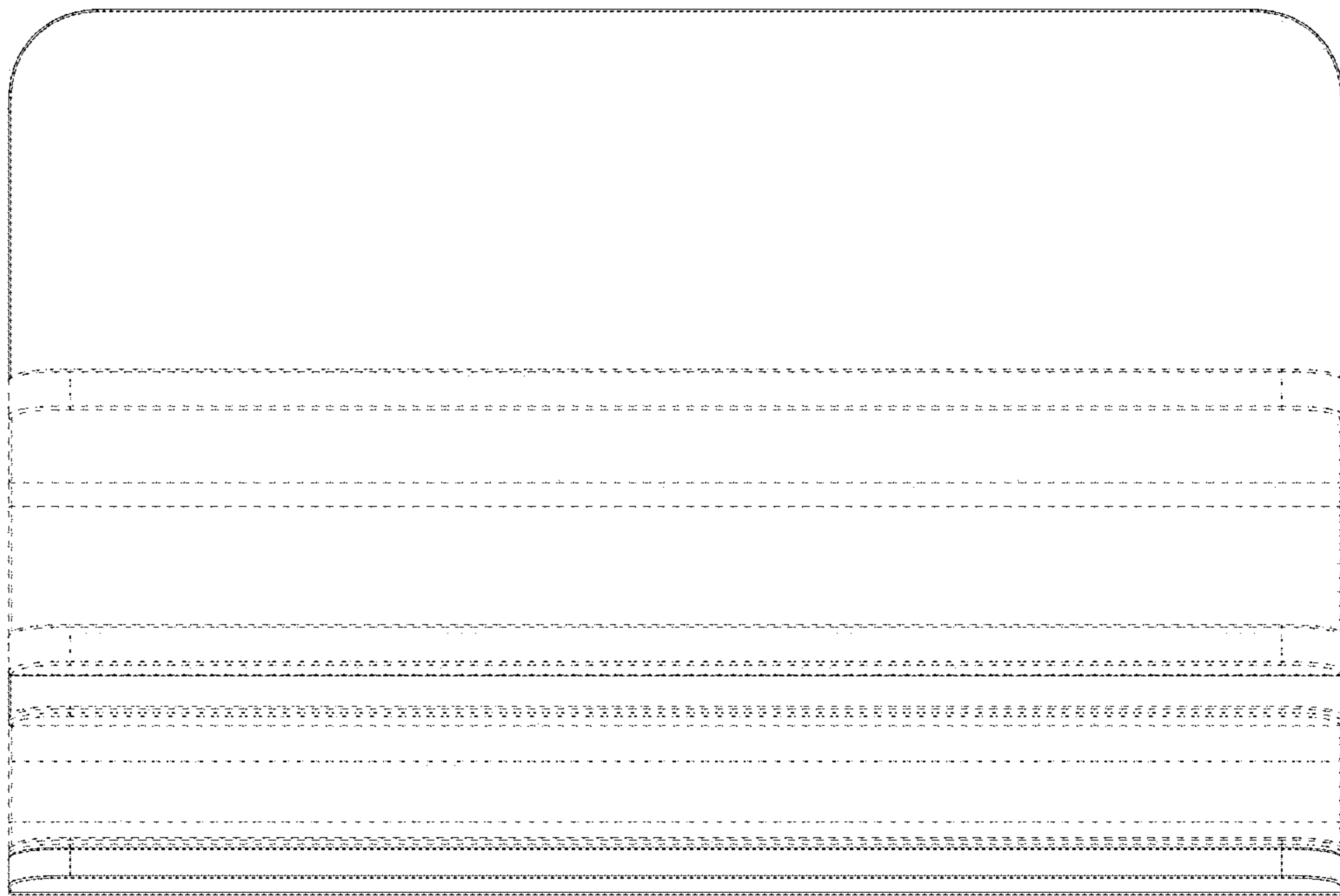


FIG. 7

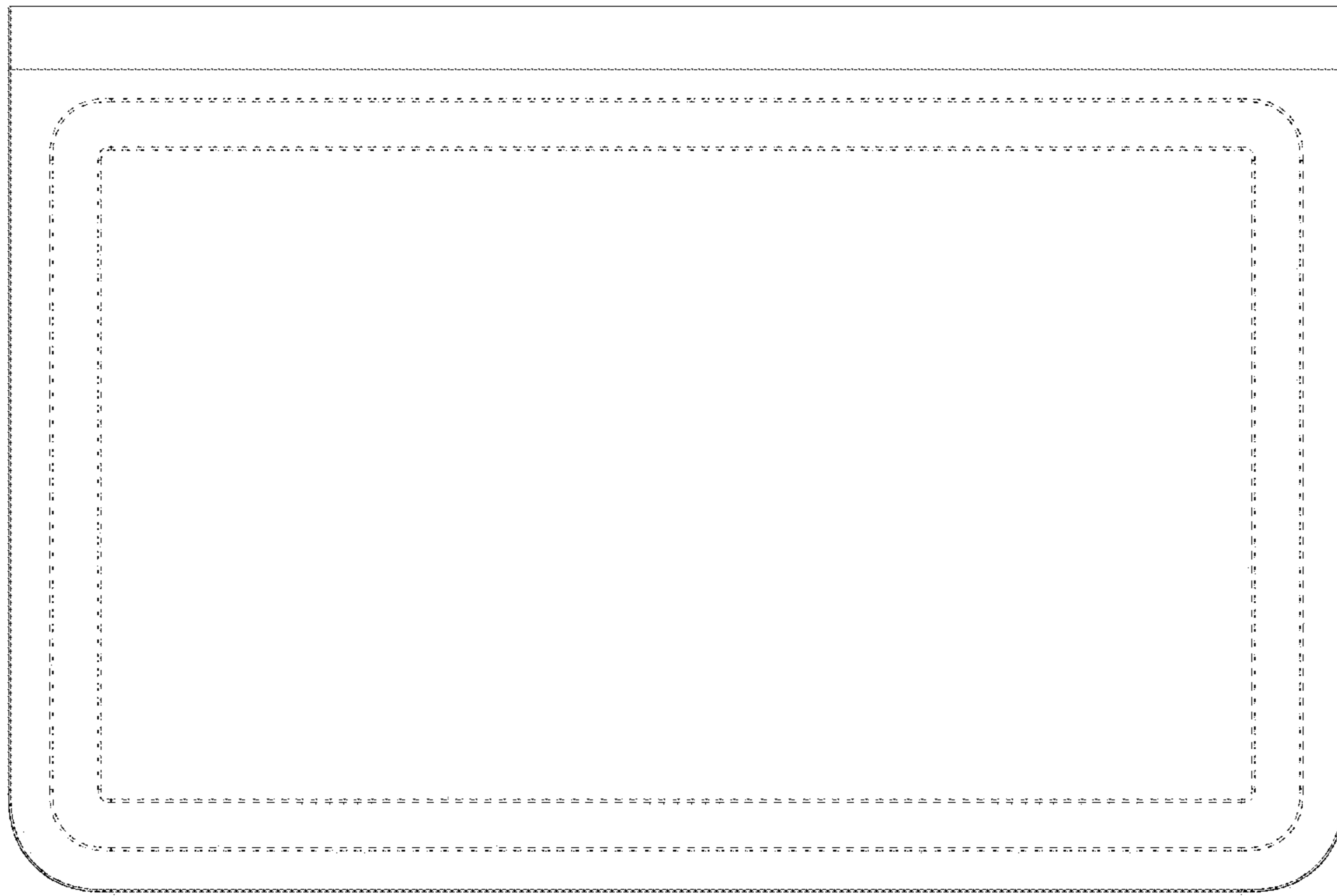


FIG. 8

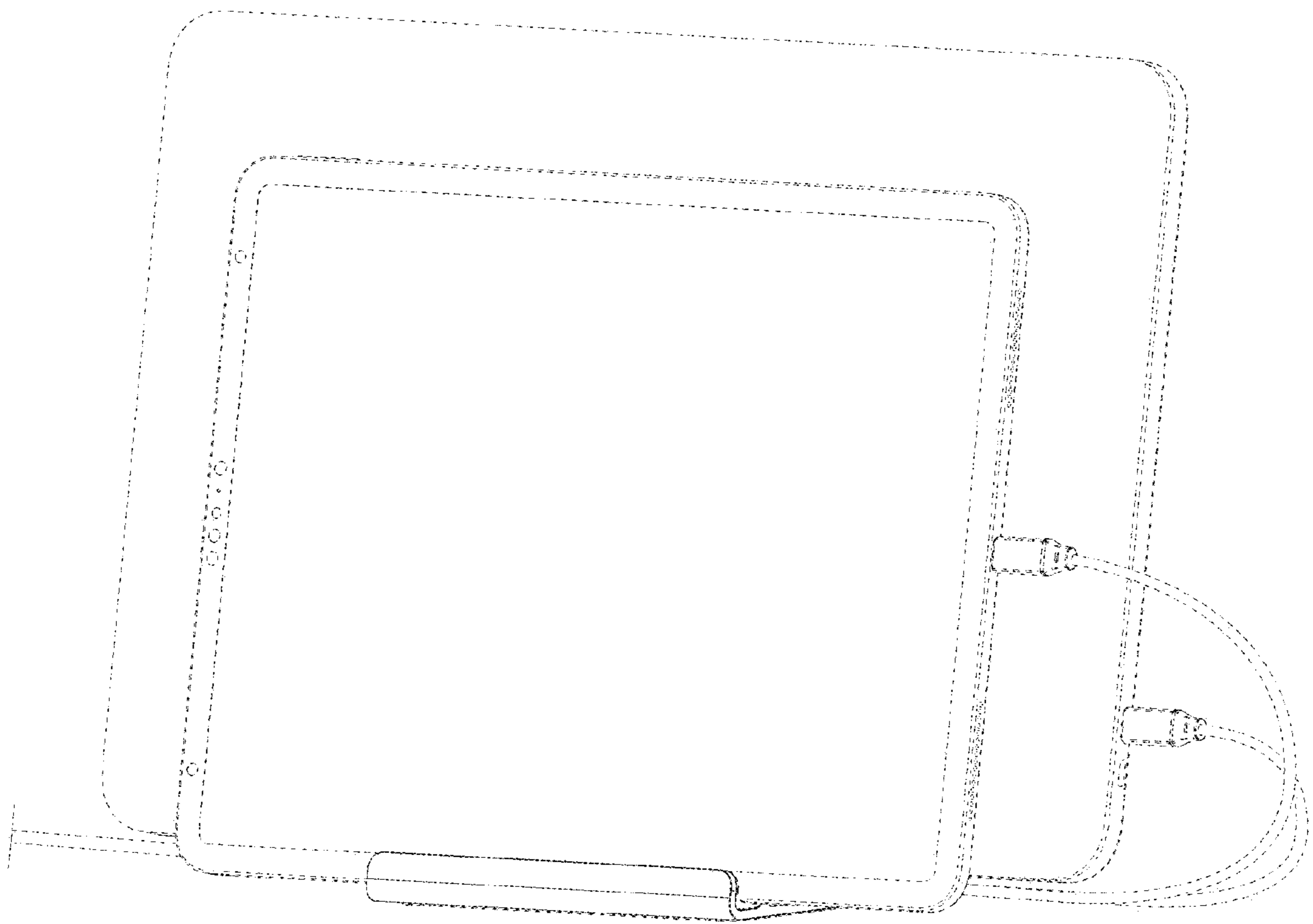


FIG. 9