



US00D936065S

(12) **United States Design Patent** (10) **Patent No.:** **US D936,065 S**
Lan (45) **Date of Patent:** **** Nov. 16, 2021**

(54) **SUPPORTING FRAME**
(71) Applicant: **SYNCMOLD ENTERPRISE CORP.**,
New Taipei (TW)
(72) Inventor: **Kang-Chen Lan**, New Taipei (TW)
(73) Assignee: **SYNCMOLD ENTERPRISE CORP.**,
New Taipei (TW)
(**) Term: **15 Years**
(21) Appl. No.: **29/747,055**
(22) Filed: **Aug. 19, 2020**
(51) **LOC (13) Cl.** **08-07**
(52) **U.S. Cl.**
USPC **D14/447**
(58) **Field of Classification Search**
USPC D14/447, 432, 434, 439, 440, 451, 452,
D14/457, 239, 253; D8/363, 373, 380;
D6/406.3, 406.4, 406.5, 406.6; D12/415;
D13/108
CPC A47B 21/04; A47B 2097/006; A47B
2097/005; A47B 2023/049; A45C
2011/002; A45C 2011/003; F16M
2200/00; F16M 13/00
See application file for complete search history.

D669,482 S * 10/2012 Hu D14/447
D672,782 S * 12/2012 Gross D14/447
D701,510 S * 3/2014 Brisbin D14/447
D827,652 S * 9/2018 Jacques D14/447
D921,642 S * 6/2021 Hong D14/447

* cited by examiner

Primary Examiner — Angela J Lee
(74) *Attorney, Agent, or Firm* — Muncy, Geissler, Olds &
Lowe, P.C.

(57) **CLAIM**

The ornamental design for a supporting frame, as shown and described.

DESCRIPTION

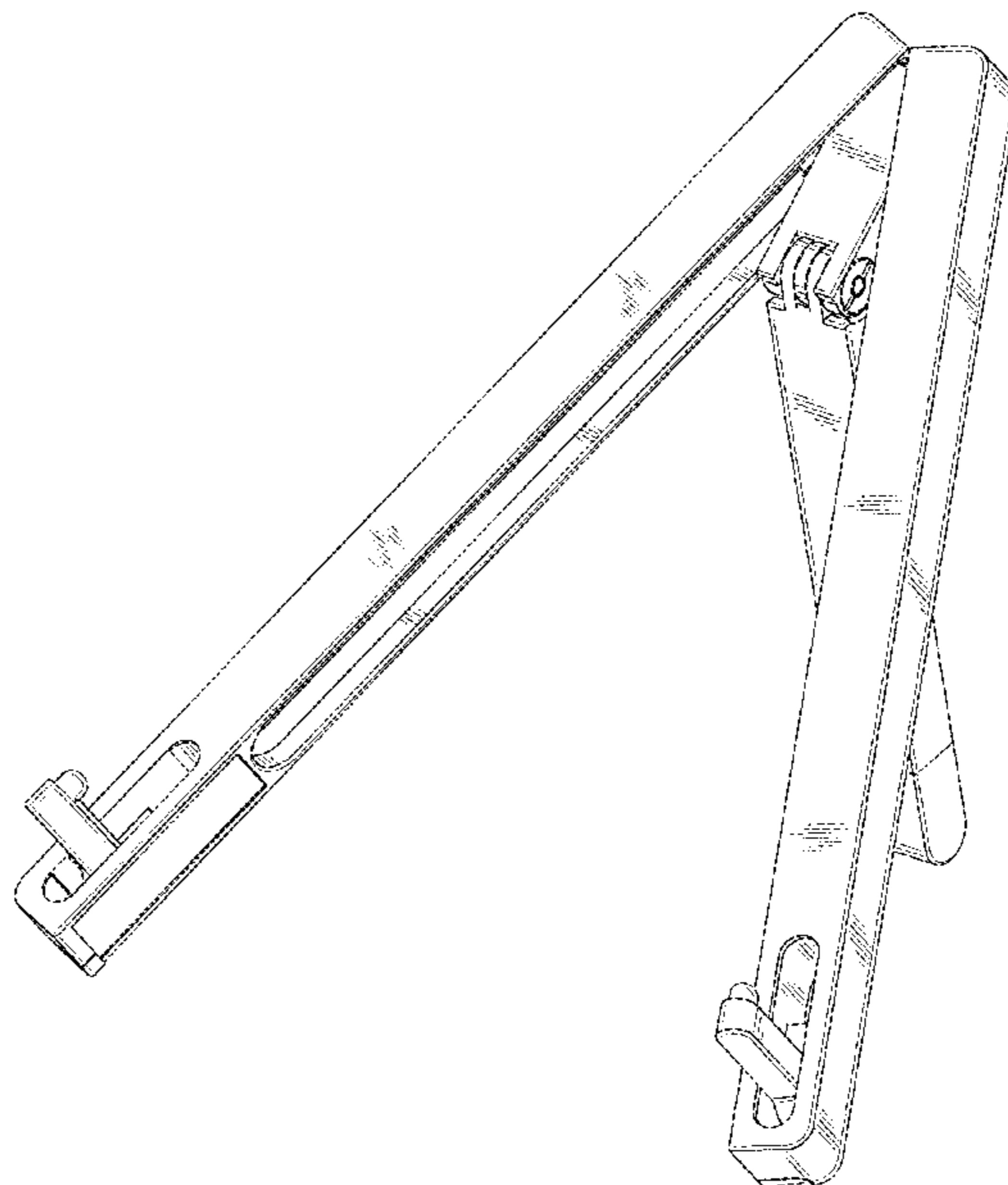
FIG. 1 is a perspective view of a supporting frame showing the claimed design in an unfolded configuration;
FIG. 2 is a front view thereof;
FIG. 3 is a rear view thereof;
FIG. 4 is a left side view thereof;
FIG. 5 is a right side view thereof;
FIG. 6 is a top view thereof;
FIG. 7 is a bottom view thereof;
FIG. 8 is another perspective view showing the claimed design in the unfolded configuration for supporting an electronic device;
FIG. 9 is another perspective view showing the claimed design being in another unfolded configuration;
FIG. 10 is another perspective view showing the claimed design being in another unfolded configuration; and,
FIG. 11 is another perspective view showing the claimed design being in a folded configuration.
The broken lines are directed to environment and are for illustrative purpose only; the broken lines form no part of the claimed design.

(56) **References Cited**

U.S. PATENT DOCUMENTS

D575,293 S * 8/2008 Derry D14/447
D620,941 S * 8/2010 Stacey D14/447
D636,397 S * 4/2011 Green D14/447
D638,021 S * 5/2011 Derry D14/447
D646,283 S * 10/2011 Derry F16M 11/10
D14/447
D658,189 S * 4/2012 Zhao D14/447
D659,147 S * 5/2012 Hu D14/447
D668,256 S * 10/2012 Matteo D14/447

1 Claim, 11 Drawing Sheets



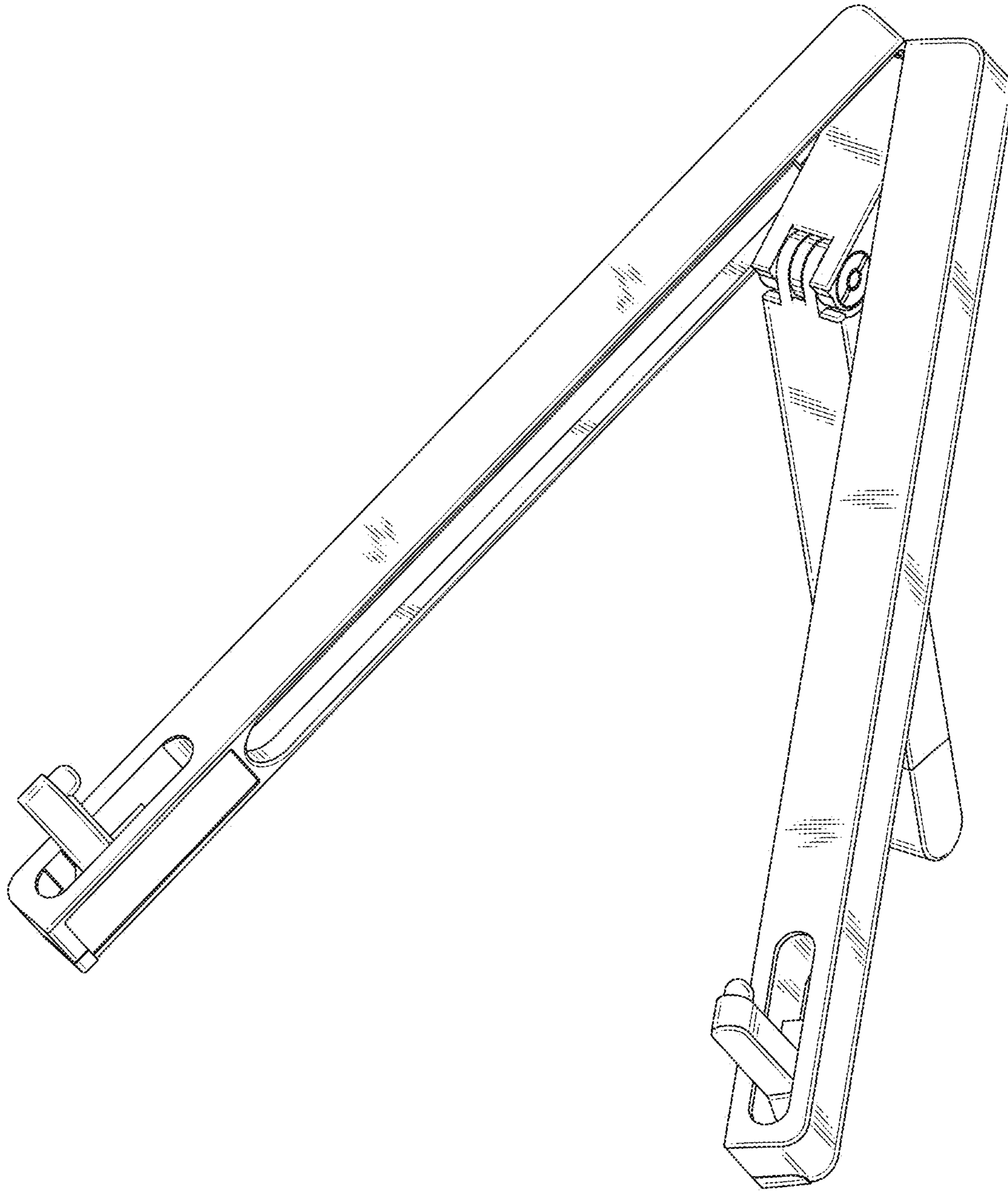


FIG. 1

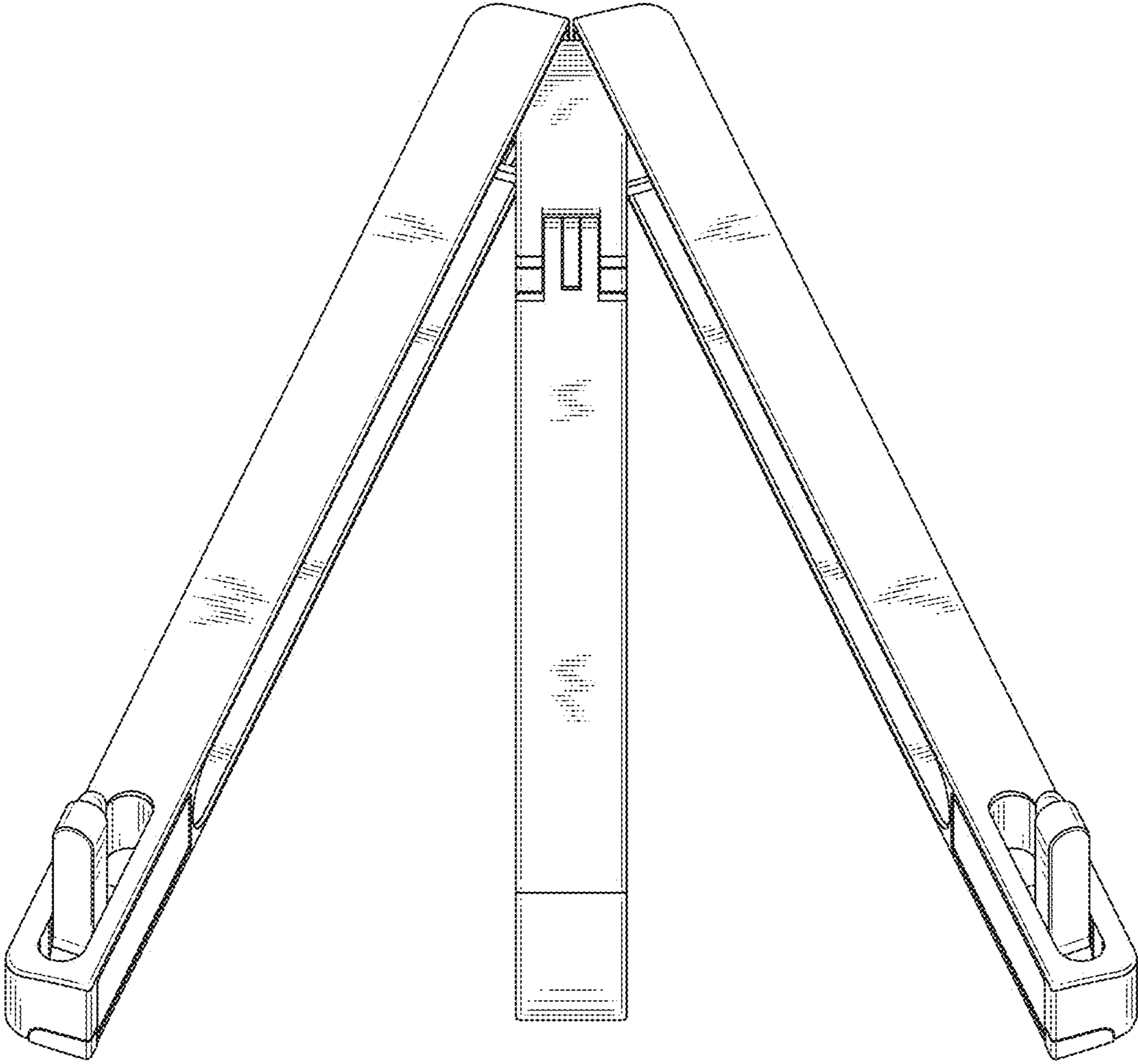


FIG. 2

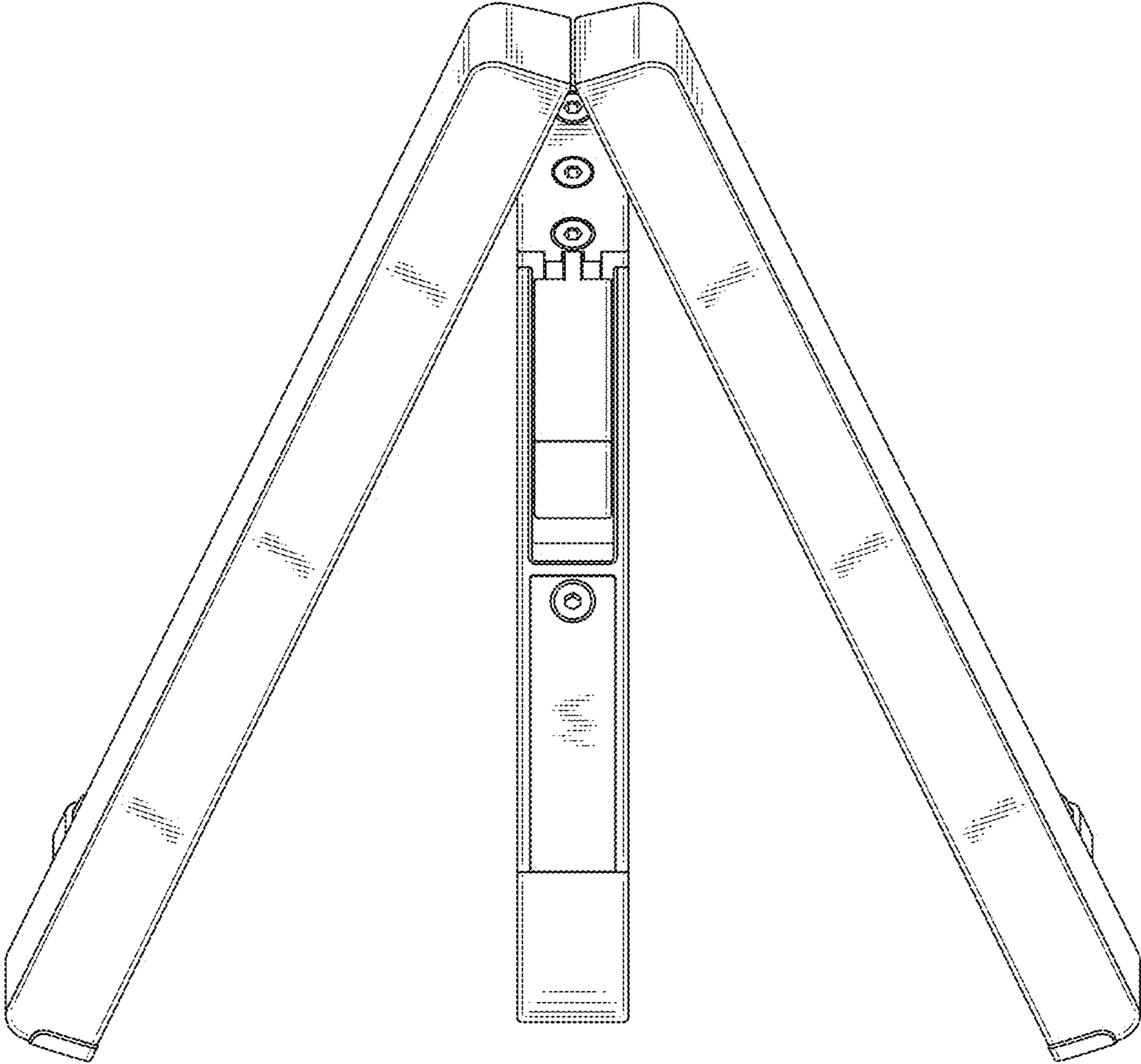


FIG. 3

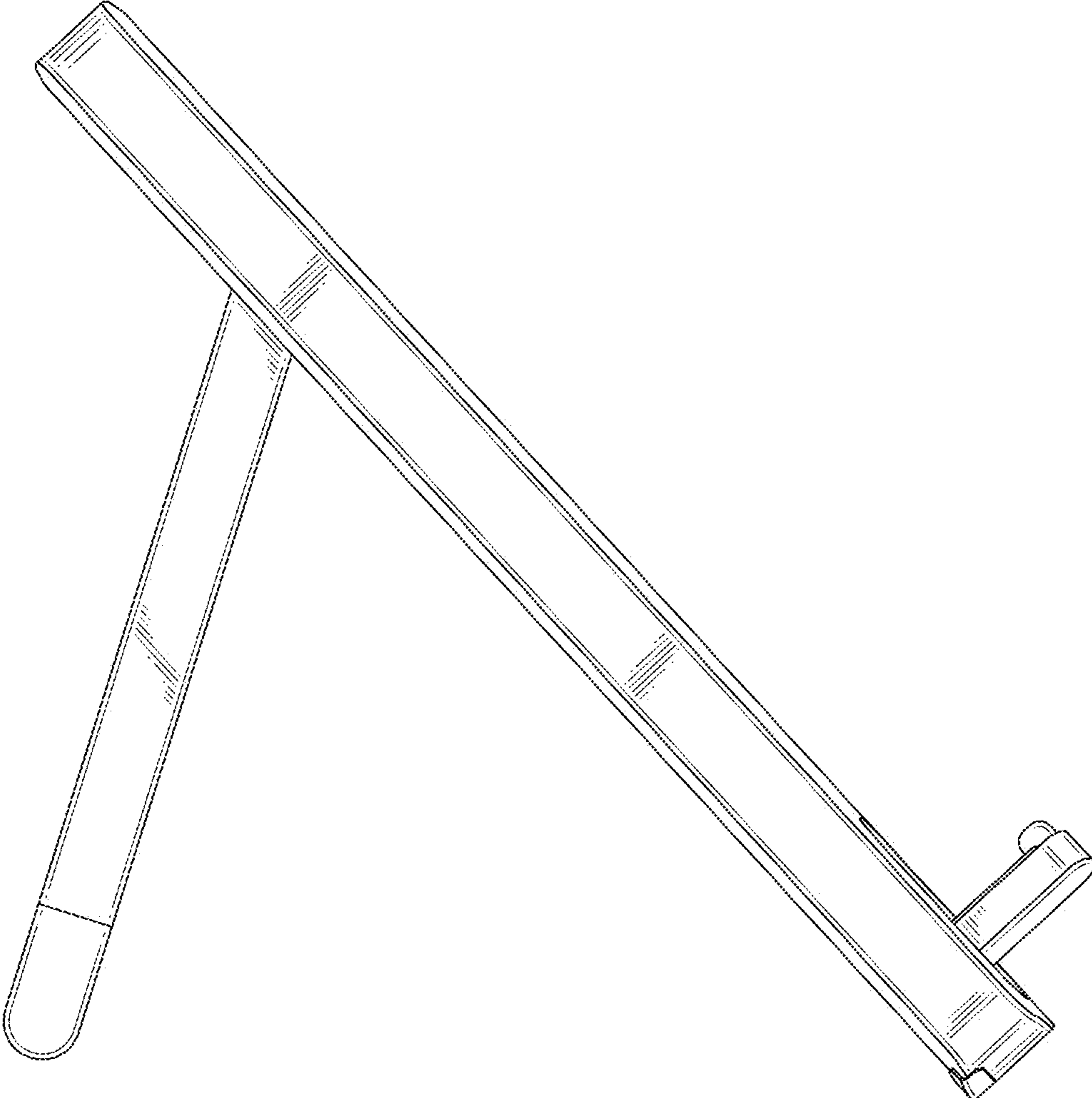


FIG. 4

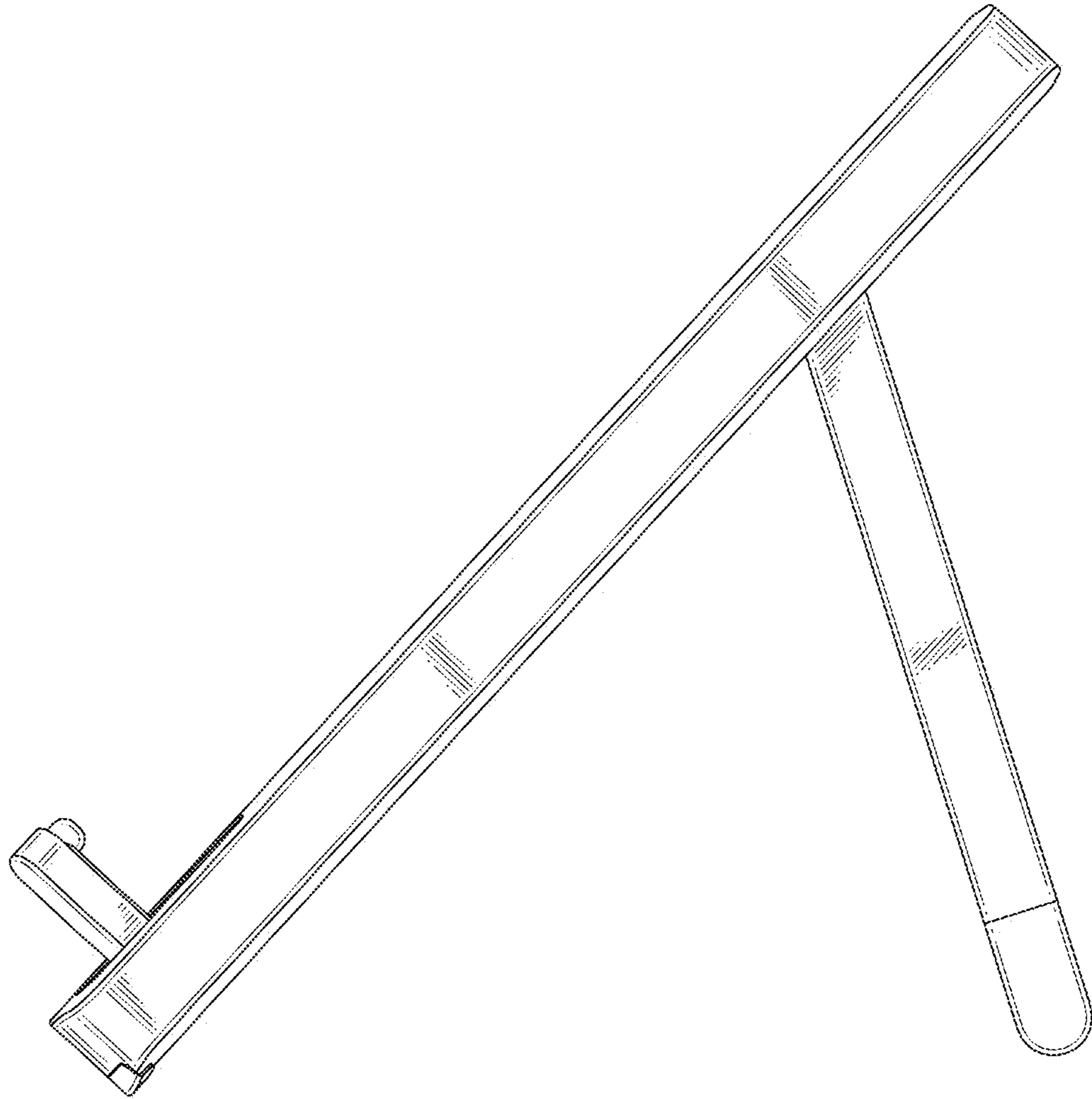


FIG. 5

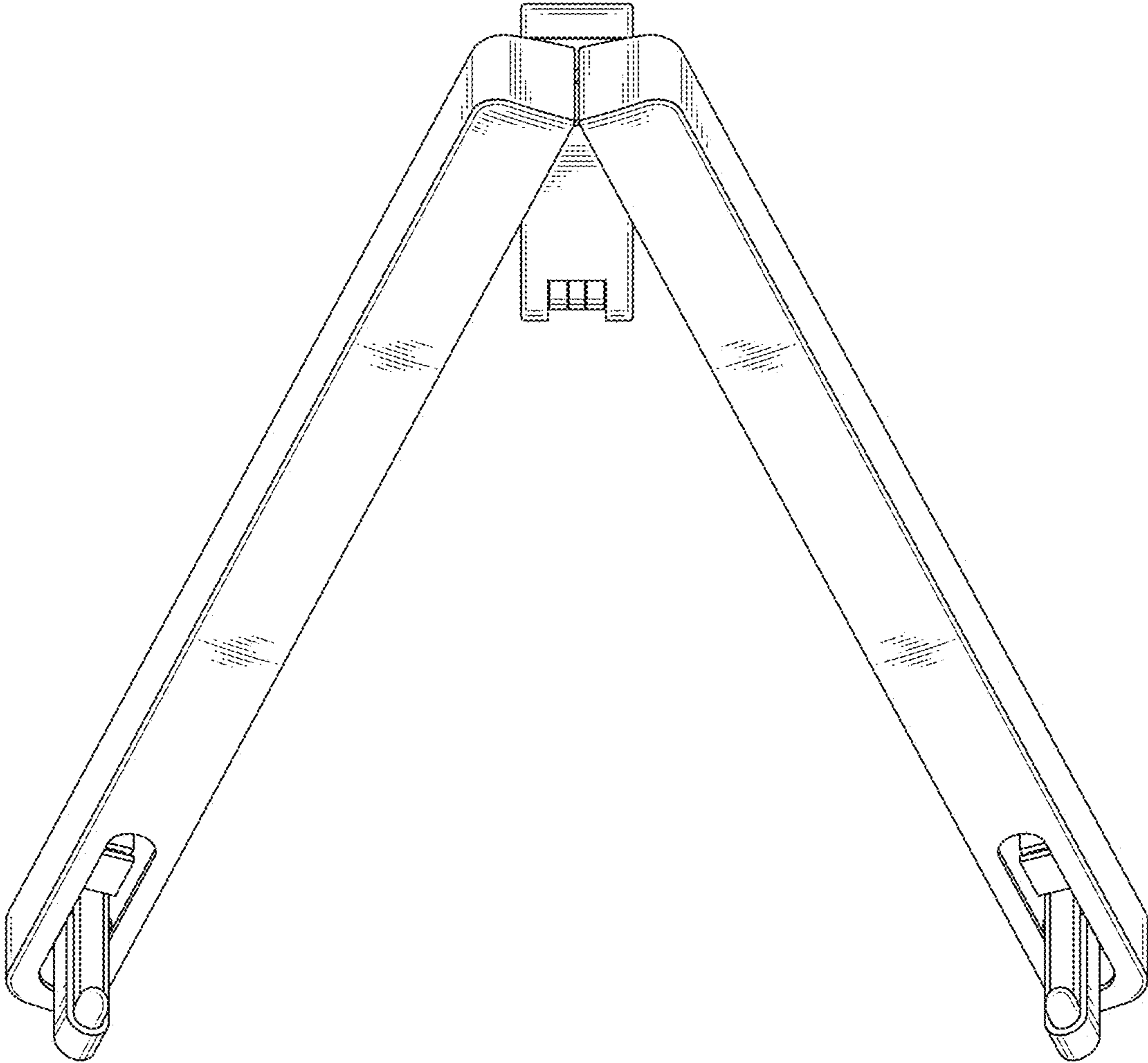


FIG. 6

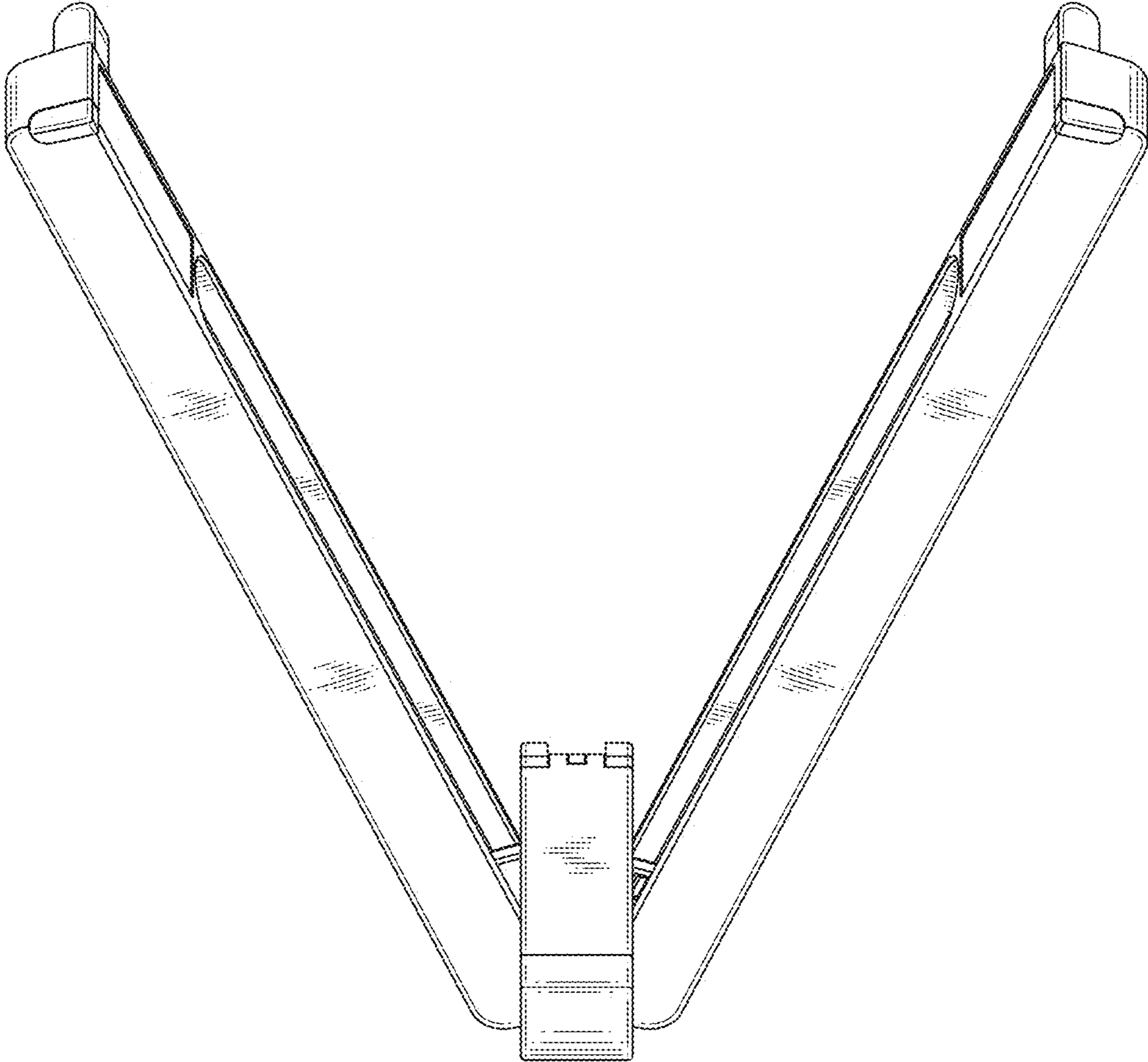


FIG. 7

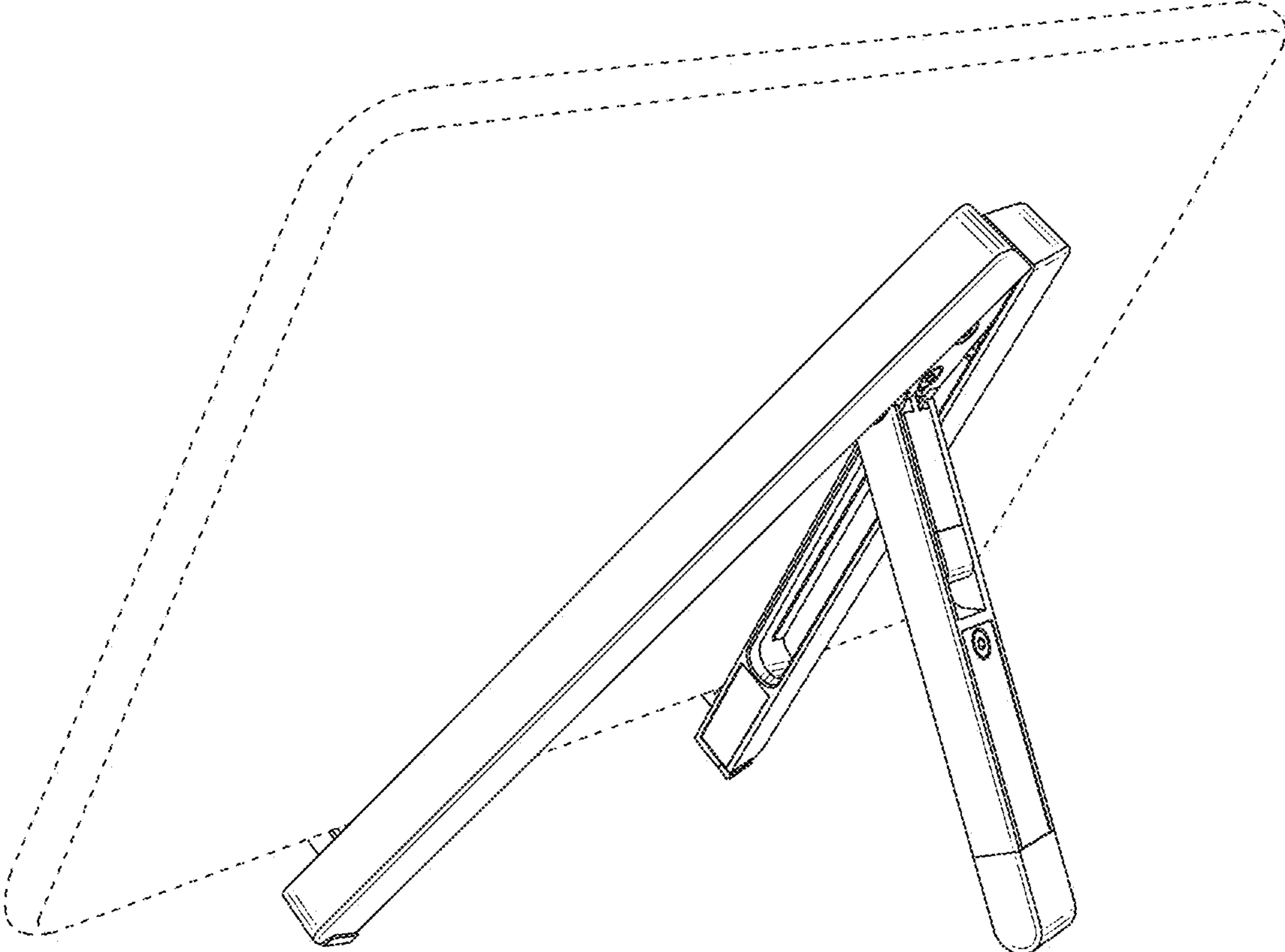


FIG. 8

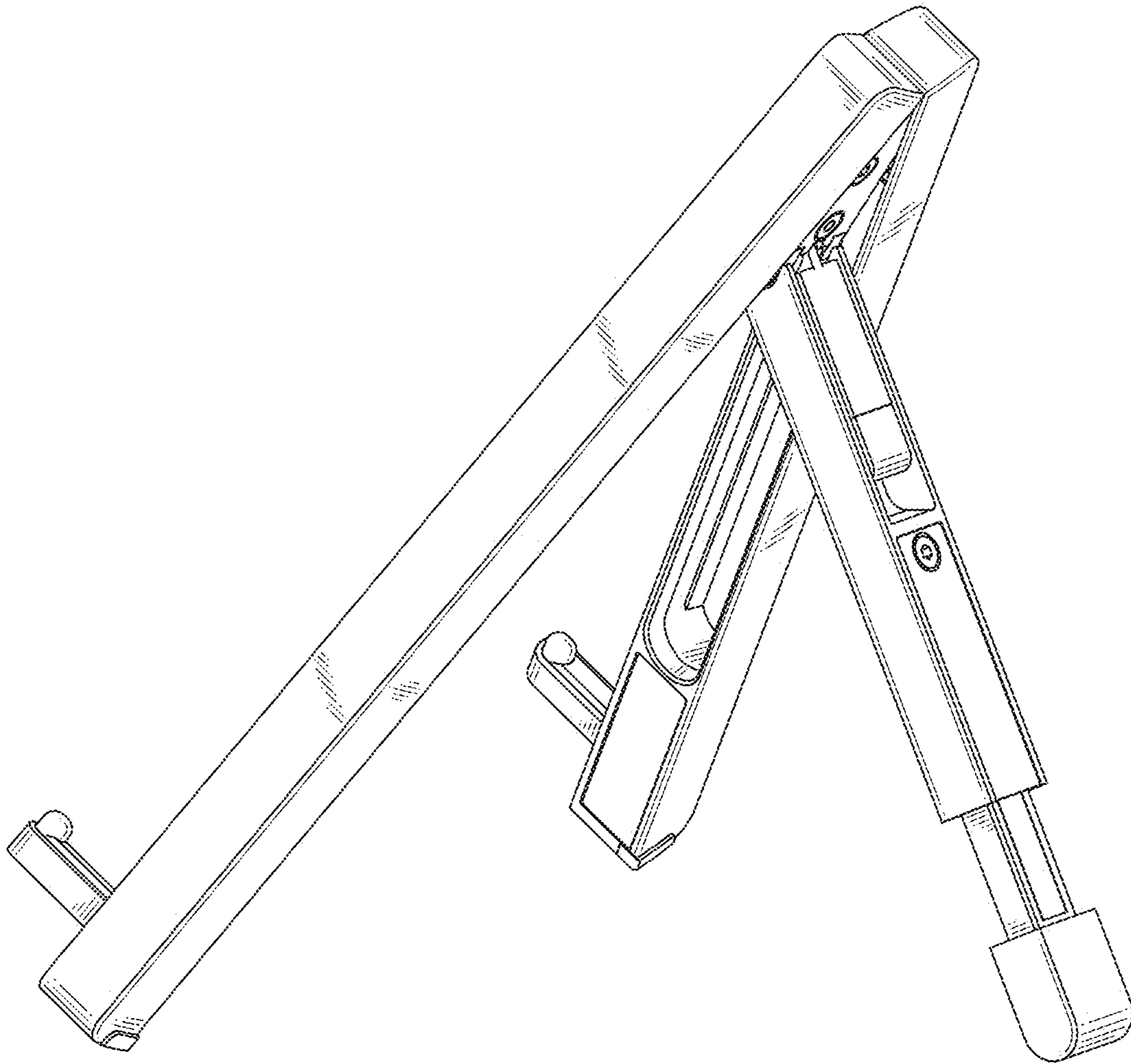


FIG. 9

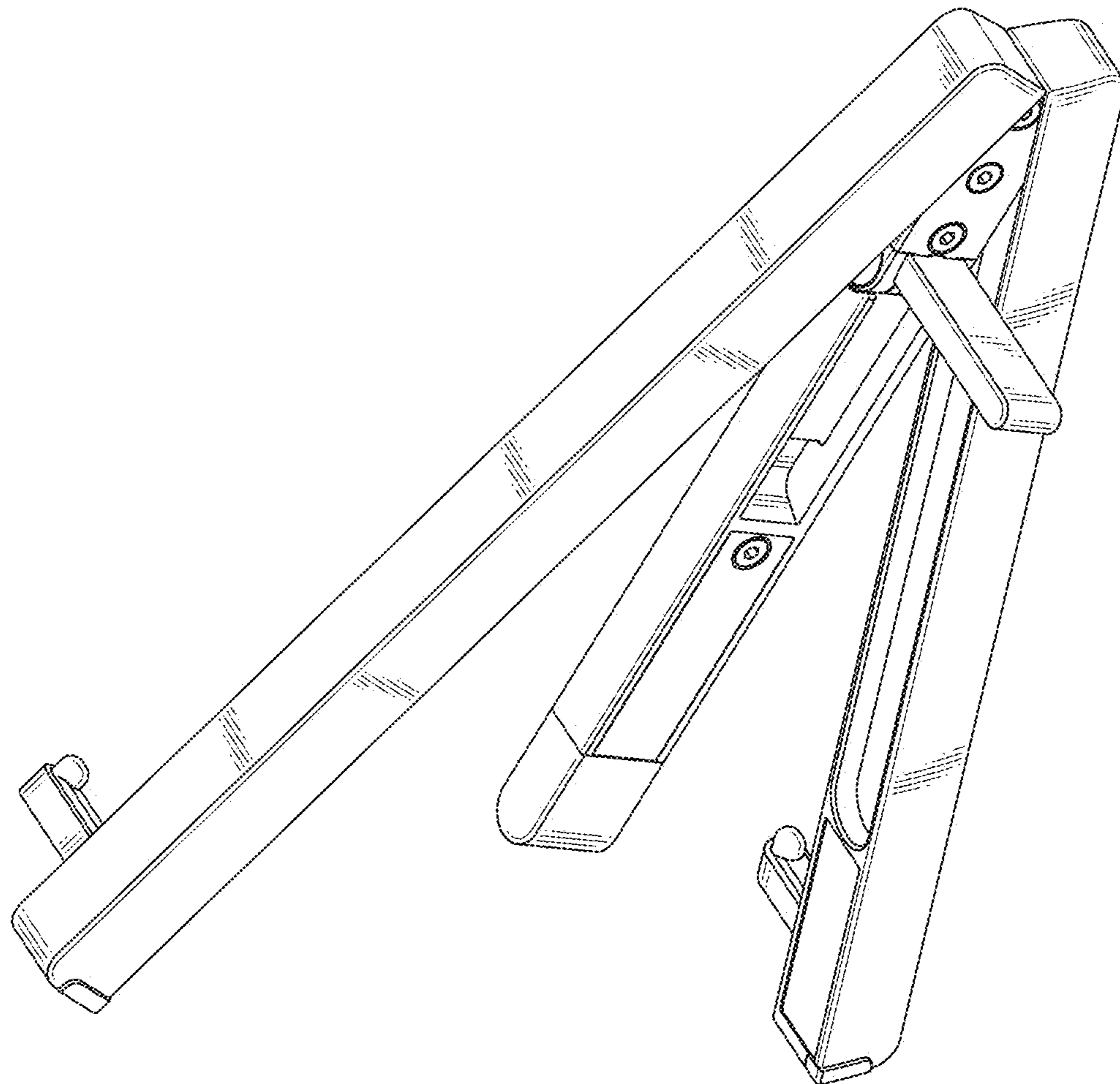


FIG. 10

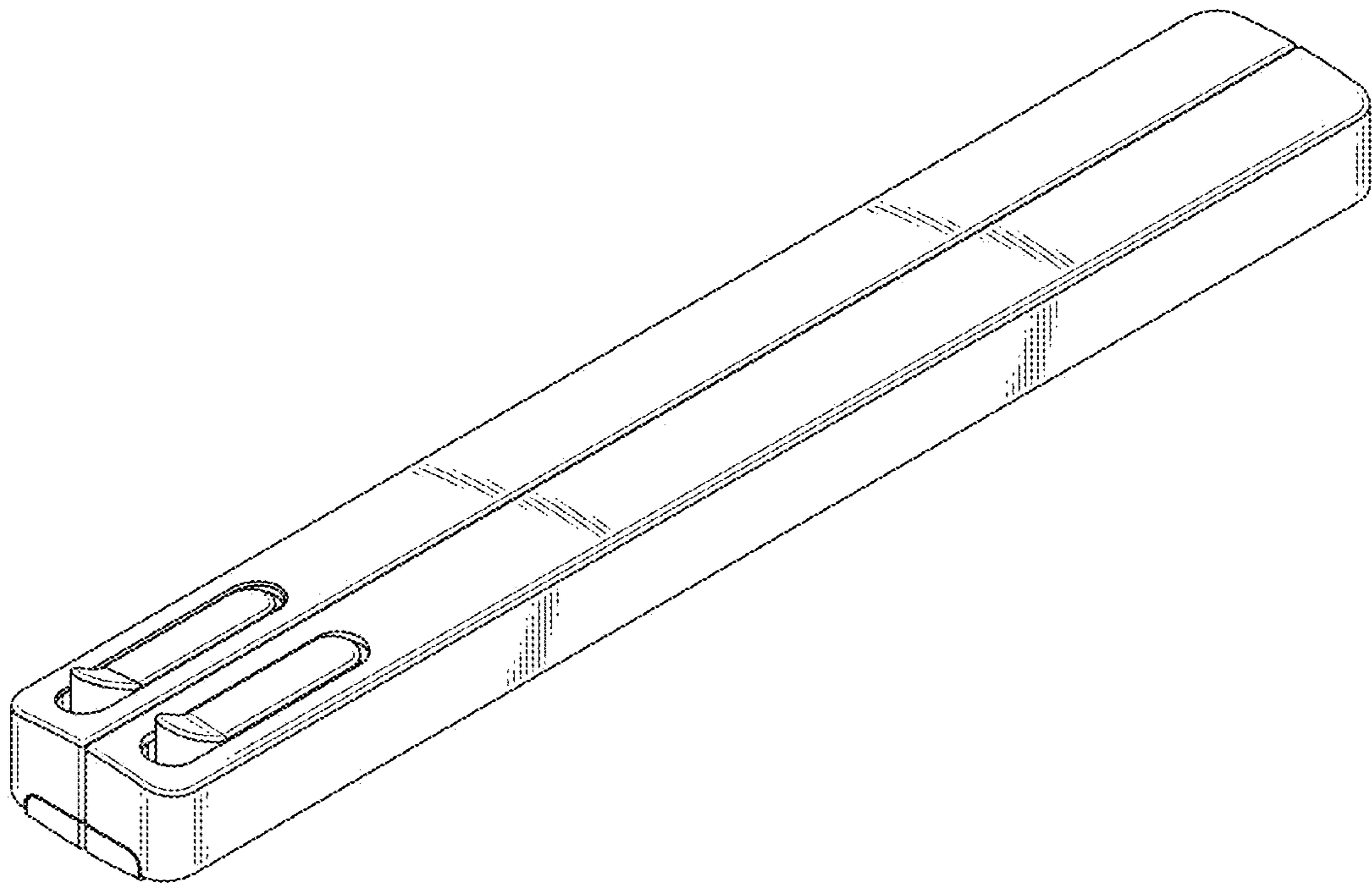


FIG. 11