



US00D936063S

(12) **United States Design Patent** (10) **Patent No.:** **US D936,063 S**
Moore et al. (45) **Date of Patent:** **** Nov. 16, 2021**

(54) **DEVICE MOUNT** D692,435 S 10/2013 Bremenkamp
D692,899 S 11/2013 Bremenkamp
(71) Applicant: **Amazon Technologies, Inc.**, Seattle, WA (US) D703,673 S 4/2014 Kittlaus
D714,793 S 10/2014 Kim et al.
D721,712 S 1/2015 Byrne et al.
(72) Inventors: **Jesse Moore**, Oakland, CA (US); D756,367 S 5/2016 Kim
Emmanuel Laffon de Mazieres, Burlingame, CA (US) D776,667 S 1/2017 Fujioka
D779,478 S * 2/2017 Justiss D14/253
D786,882 S 5/2017 Cho
(73) Assignee: **Amazon Technologies, Inc.**, Seattle, WA (US) D787,521 S * 5/2017 Chen D14/447
D797,109 S * 9/2017 Pisapia D14/447
(Continued)

(**) Term: **15 Years**

(21) Appl. No.: **29/725,864**

(22) Filed: **Feb. 27, 2020**

Related U.S. Application Data

(62) Division of application No. 29/663,296, filed on Sep. 13, 2018, now Pat. No. Des. 880,486.

(51) **LOC (13) Cl.** **08-07**

(52) **U.S. Cl.**
USPC **D14/447**

(58) **Field of Classification Search**
USPC D14/447, 432, 434, 439, 440, 451, 452, D14/457, 239, 253; D8/363, 373, 380; D6/406.3, 406.4, 406.5, 406.6; D19/78, D19/86, 87, 91
CPC A47B 21/04; A47B 2097/006; A47B 2097/005; A47B 2023/049; A45C 2011/002; A45C 2011/003; F16M 2200/00; F16M 13/00
See application file for complete search history.

(56) **References Cited**

U.S. PATENT DOCUMENTS

D648,727 S 11/2011 Van Den Nieuwenhuizen et al.
D664,528 S 7/2012 Chen et al.
D677,260 S 3/2013 Hong et al.

OTHER PUBLICATIONS

Canadian Office Action dated Mar. 6, 2020 for Canadian Patent Application No. 186074, a counterpart of U.S. Appl. No. 29/663,296, 2 pages.

(Continued)

Primary Examiner — Angela J Lee

(74) *Attorney, Agent, or Firm* — Lee & Hayes, P.C.

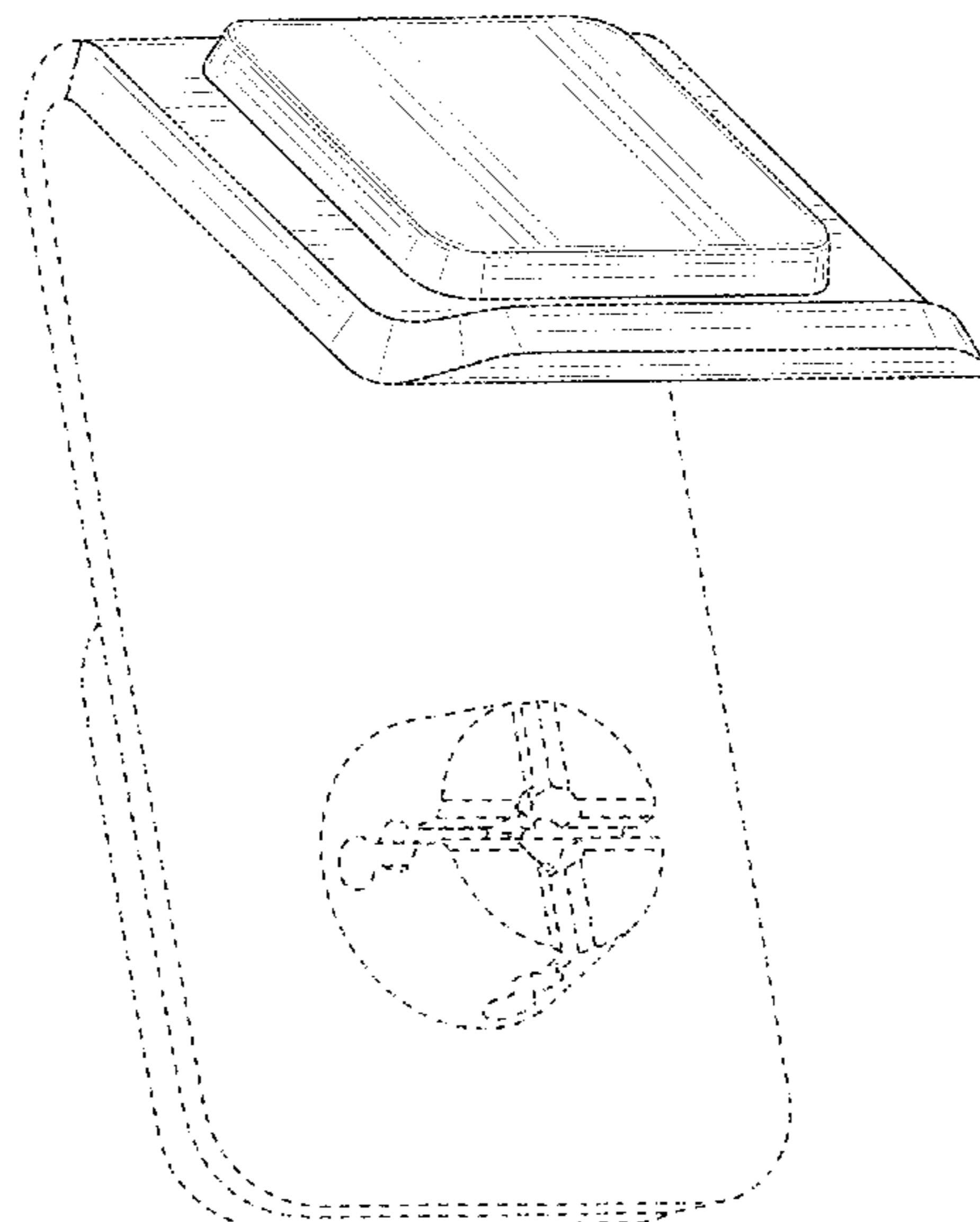
(57) **CLAIM**

The ornamental design for a device mount, as shown and described.

DESCRIPTION

FIG. 1 is a top perspective view of a device mount; FIG. 2 is a bottom perspective view thereof; FIG. 3 is a front view thereof; FIG. 4 is a back view thereof; FIG. 5 is a left-side view thereof; FIG. 6 is a right-side view thereof; FIG. 7 is a top view thereof; and, FIG. 8 is a bottom view thereof. The dashed broken lines depict portions of the device mount that form no part of the claimed design. The dot-dashed broken lines represent boundaries of the claimed device mount and form no part of the claimed design.

1 Claim, 8 Drawing Sheets



(56)

References Cited

U.S. PATENT DOCUMENTS

D829,725	S	10/2018	Luo	
D835,626	S	* 12/2018	Mir Martos D14/447
D842,305	S	3/2019	Gao	
D856,343	S	* 8/2019	Kijjiya D14/447
D875,104	S	* 2/2020	Tivnon D14/447
D877,154	S	* 3/2020	Hummel D14/447
D877,636	S	* 3/2020	Haag D10/98
D880,486	S	* 4/2020	Moore D14/447
D908,709	S	* 1/2021	Fine D14/447

OTHER PUBLICATIONS

The Indian Office Action dated Mar. 13, 2019 for Indian Patent Application No. 315438-001, a counterpart of U.S. Appl. No. 29/663,296, 2 pages.

The Korean Office Action dated Sep. 19, 2019 for Korean Patent Application No. 30-2019-7575, a counterpart of U.S. Appl. No. 29/663,296, 4 pages.

* cited by examiner

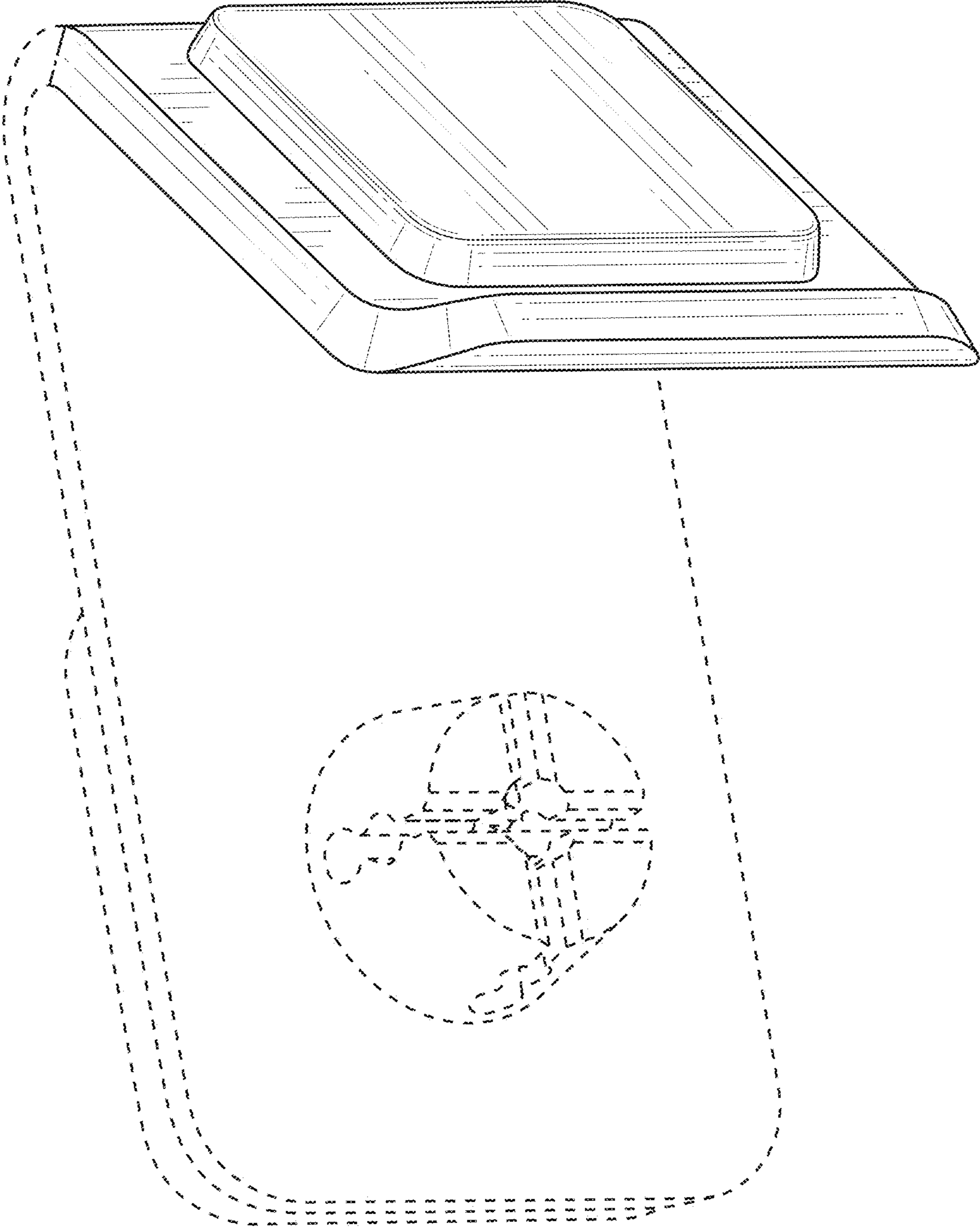


FIG. 1

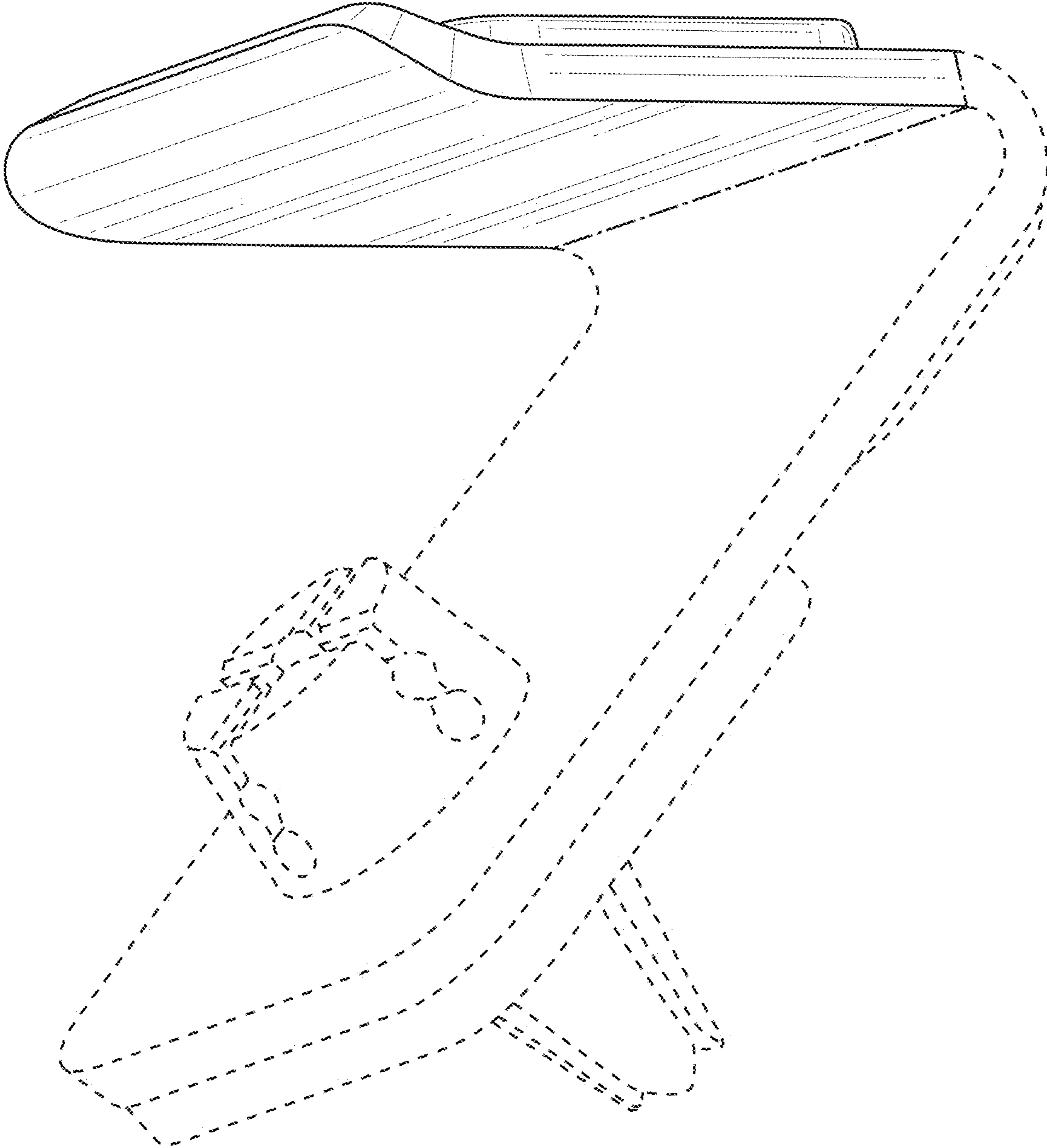


FIG. 2

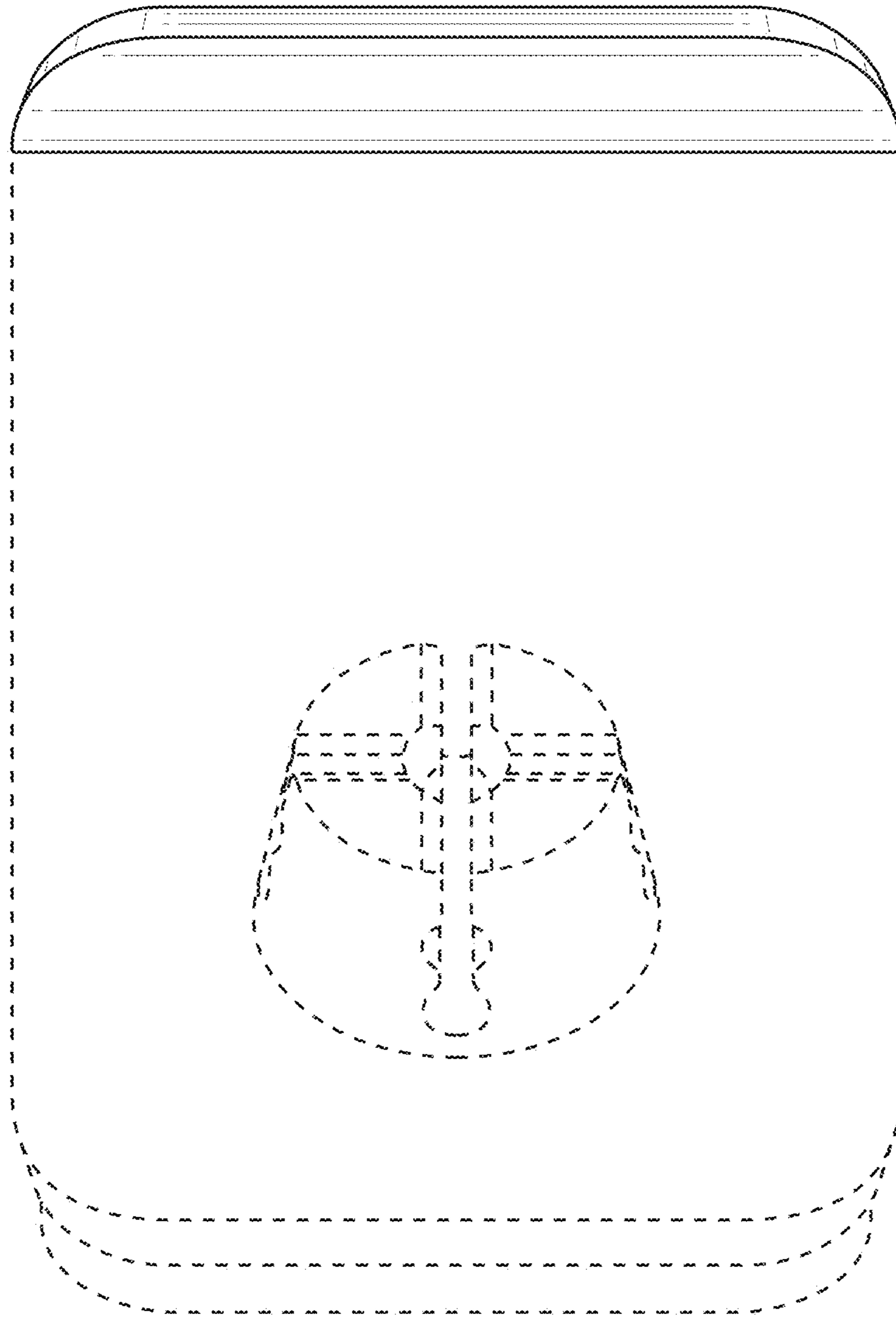


FIG. 3

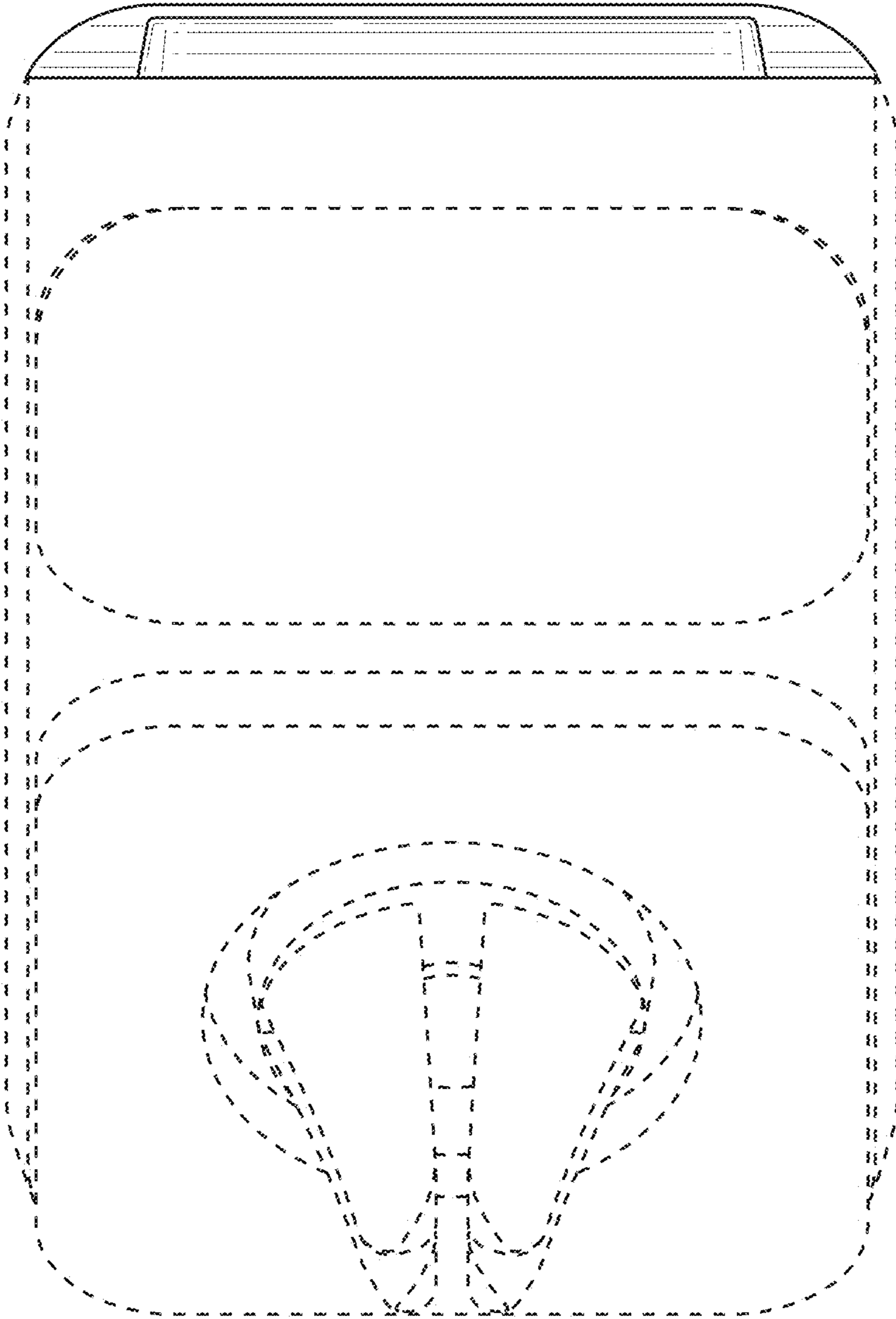


FIG. 4

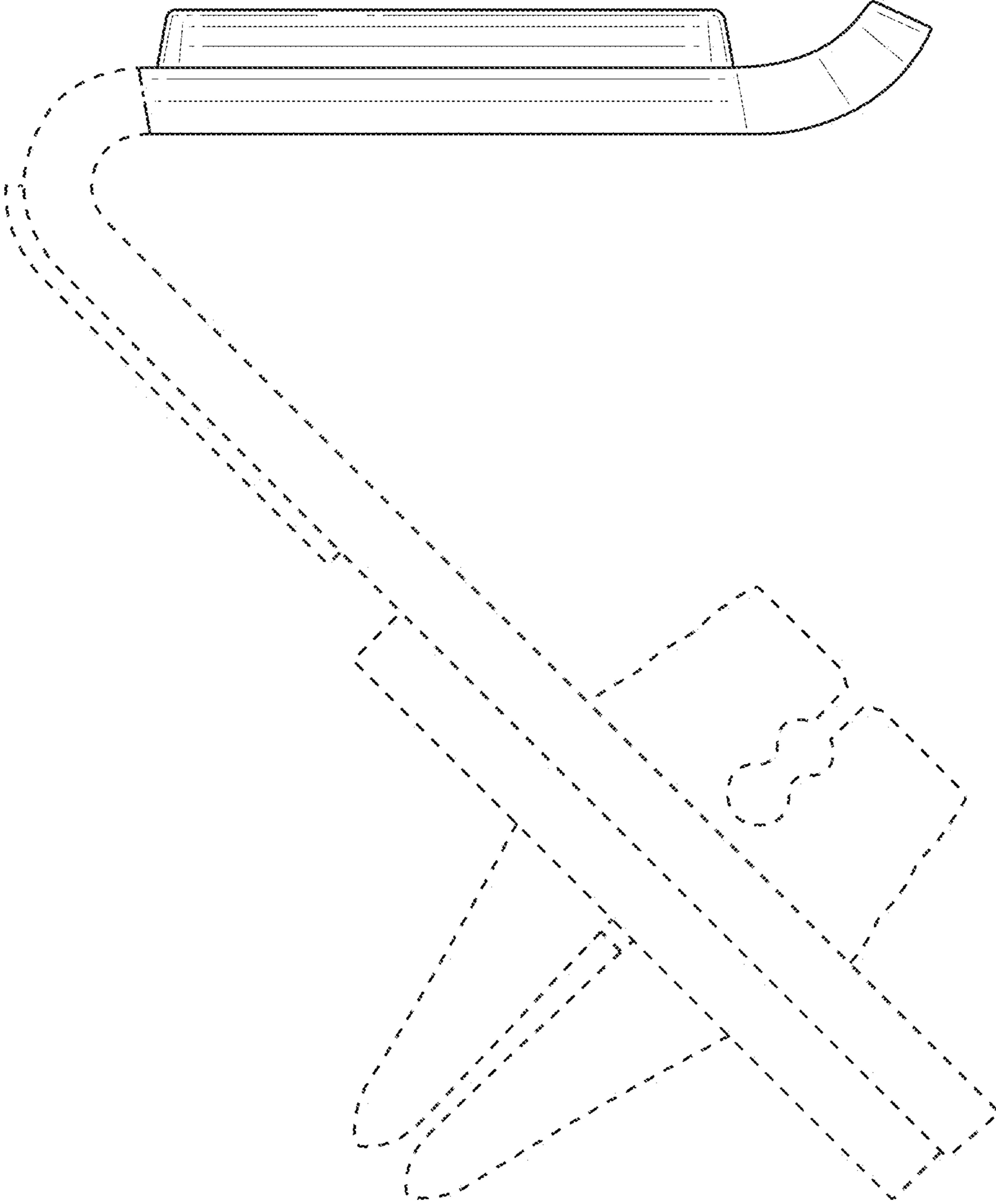


FIG. 5

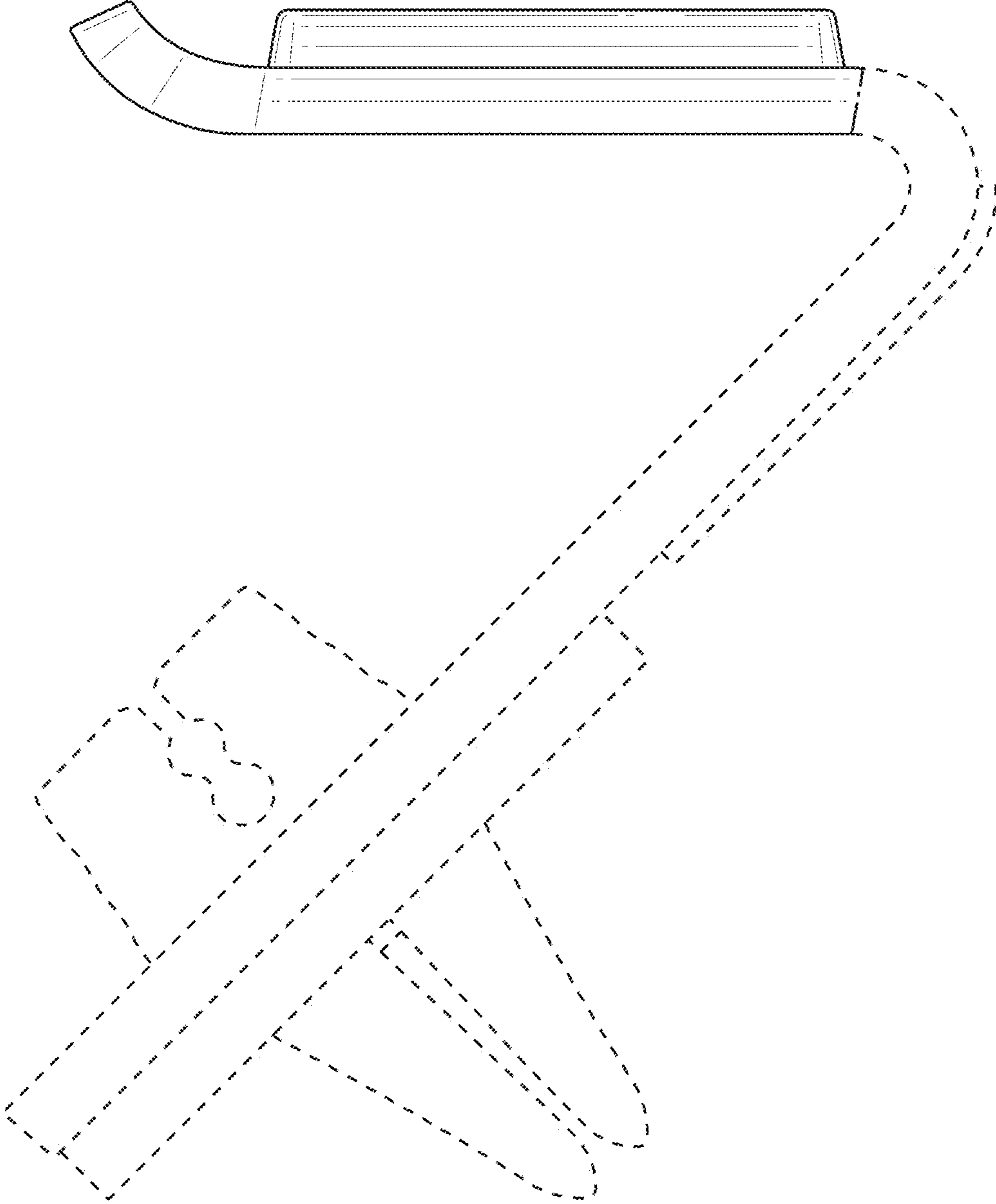


FIG. 6

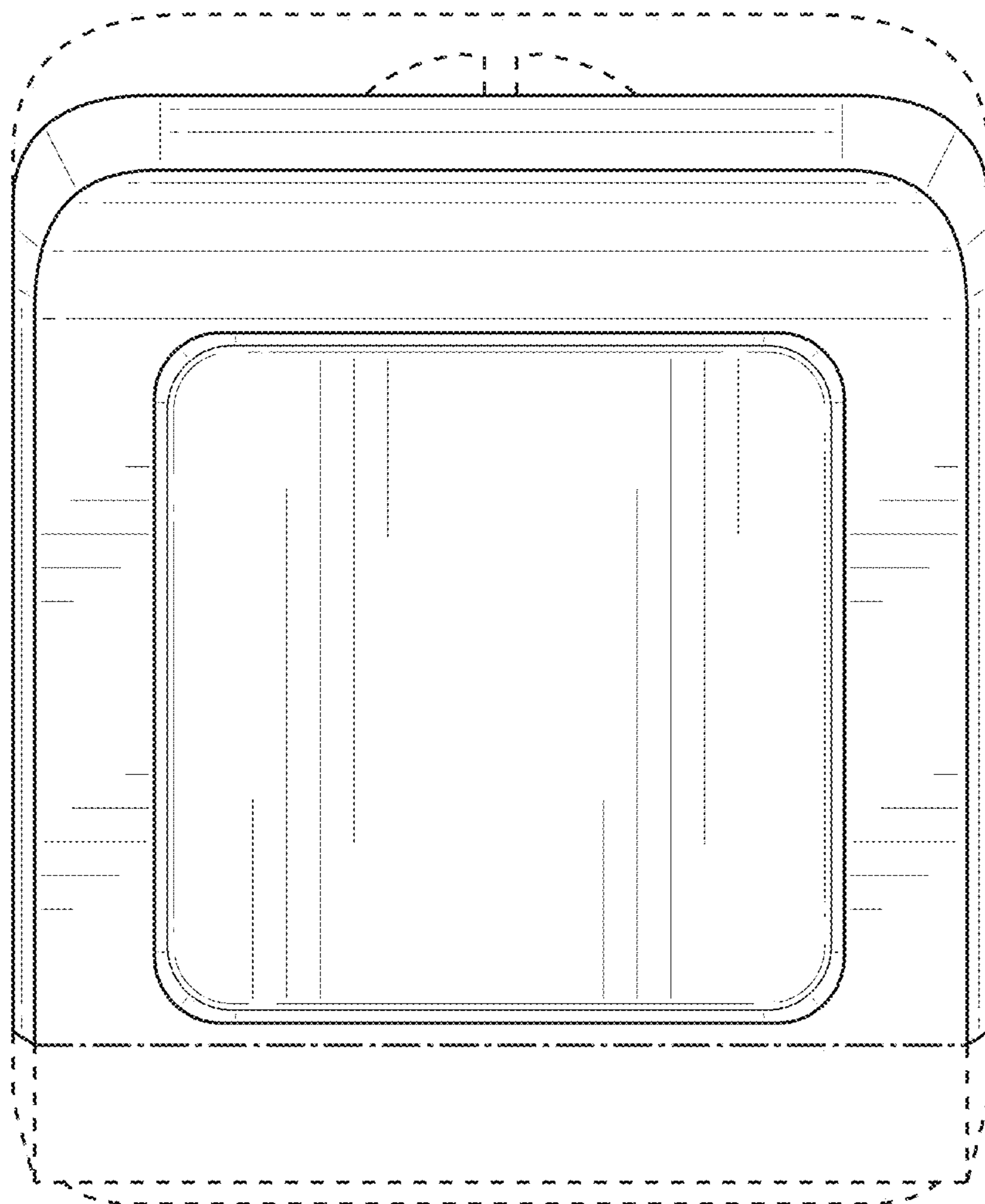


FIG. 7

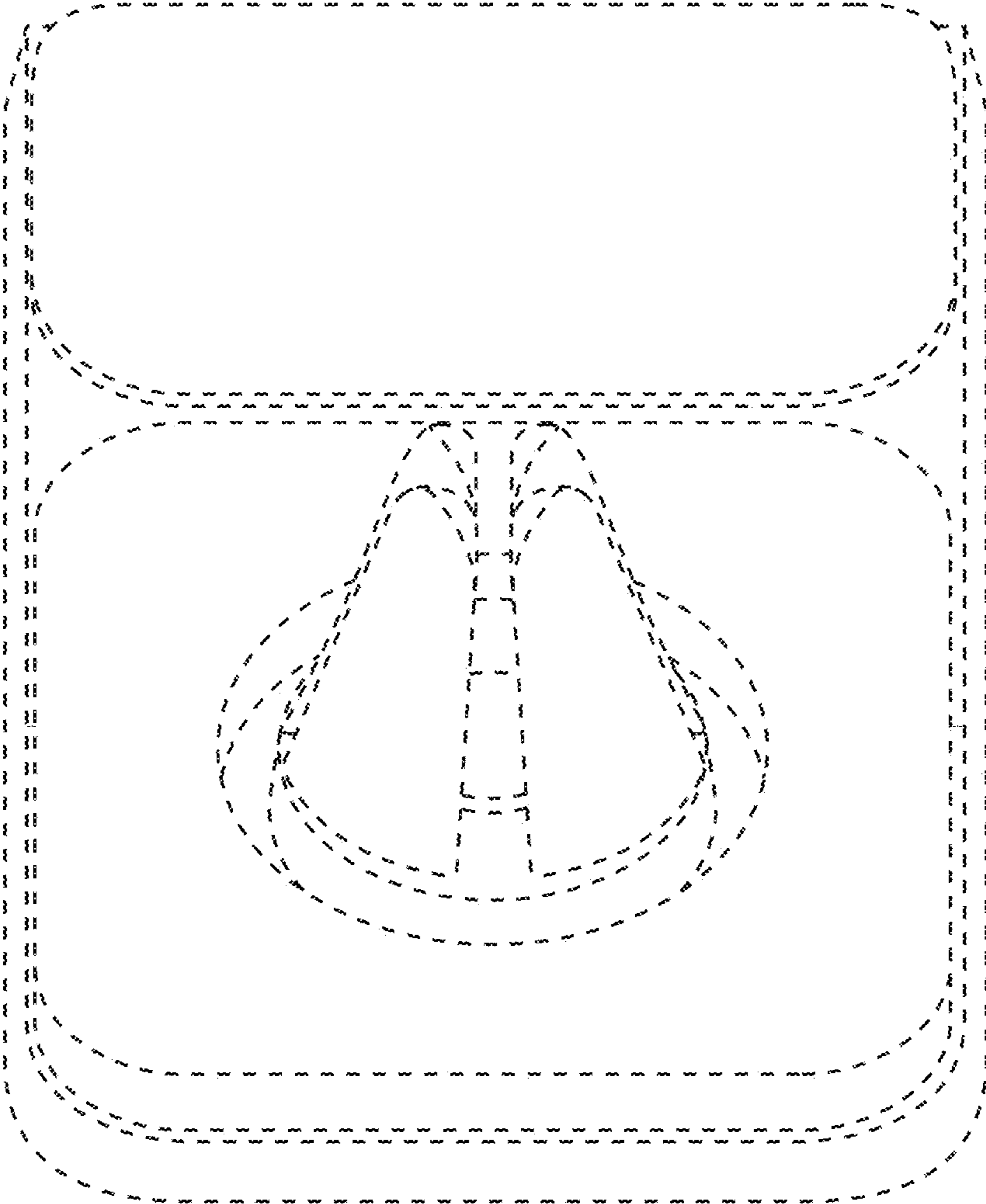


FIG. 8