



US00D936062S

(12) **United States Design Patent**
Miniard

(10) **Patent No.:** **US D936,062 S**

(45) **Date of Patent:** **** Nov. 16, 2021**

(54) **TABLET HOLDER**

(71) Applicant: **Jerry M. Miniard**, Fort Mitchell, KY
(US)

(72) Inventor: **Jerry M. Miniard**, Fort Mitchell, KY
(US)

(**) Term: **15 Years**

(21) Appl. No.: **29/719,576**

(22) Filed: **Jan. 6, 2020**

Related U.S. Application Data

(60) Division of application No. 29/610,186, filed on Jul. 10, 2017, now Pat. No. Des. 872,095, which is a division of application No. 29/571,508, filed on Jul. 19, 2016, now Pat. No. Des. 791,778, which is a division of application No. 29/539,916, filed on Sep. 18, 2015, now Pat. No. Des. 761,799, which is a division of application No. 29/491,755, filed on May
(Continued)

(51) **LOC (13) Cl.** **08-07**

(52) **U.S. Cl.**
USPC **D14/447**

(58) **Field of Classification Search**
USPC D14/447, 432, 434, 439, 440, 451, 452,
D14/457, 239, 253; D8/363, 373, 380;
D6/406.3, 406.4, 406.5, 406.6; D19/78,
D19/86, 87, 91

CPC A47B 21/04; A47B 2097/006; A47B
2097/005; A47B 2023/049; A45C
2011/002; A45C 2011/003; F16M
2200/00; F16M 13/00

See application file for complete search history.

(56) **References Cited**

U.S. PATENT DOCUMENTS

D532,005 S * 11/2006 Leith D14/253
D661,309 S * 6/2012 Murrer D14/447

(Continued)

Primary Examiner — Angela J Lee

(74) *Attorney, Agent, or Firm* — Wood Herron & Evans
LLP

(57) **CLAIM**

The ornamental design for a tablet holder, as shown and described.

DESCRIPTION

FIG. 1 is a perspective view of a stand for a tablet device of the present invention;

FIG. 2 is a rear perspective view of a stand for a tablet device of FIG. 1 of the present invention;

FIG. 3 is a front view of FIG. 1 of the present invention;

FIG. 4 is a left side view of FIG. 1 of the present invention; the right side view is a mirror image thereof;

FIG. 5 is a rear view of FIG. 1 of the present invention;

FIG. 6 is a top view of FIG. 1 of the present invention.

FIG. 7 is a bottom view of FIG. 1 of the present invention;

FIG. 8 is a perspective view of a stand for a tablet device of a second embodiment of the present invention;

FIG. 9 is a rear perspective view of FIG. 8 of the present invention;

FIG. 10 is a front view of FIG. 8 of the present invention;

FIG. 11 is a left side view of FIG. 8 of the present invention; the right side view is a mirror image thereof;

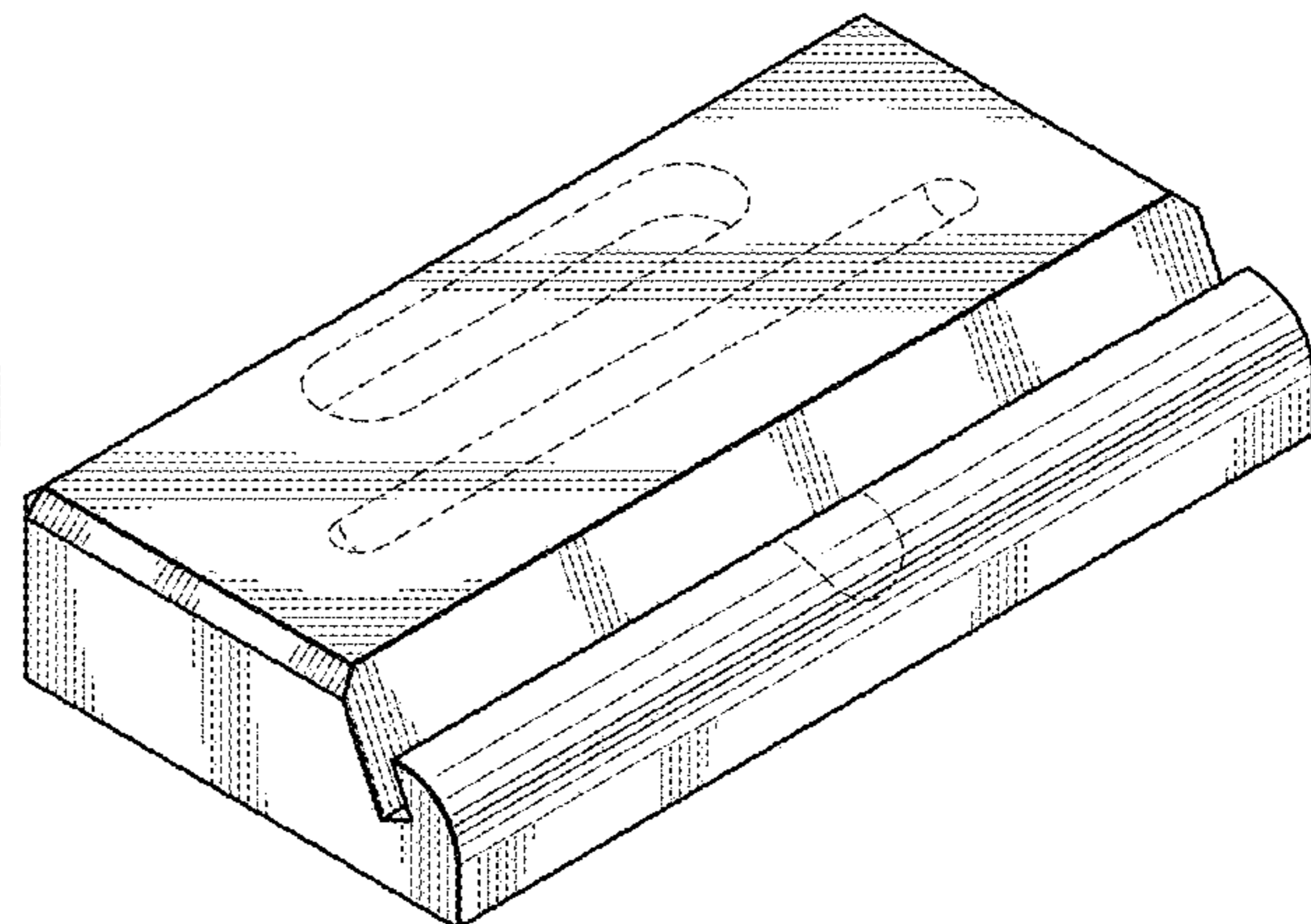
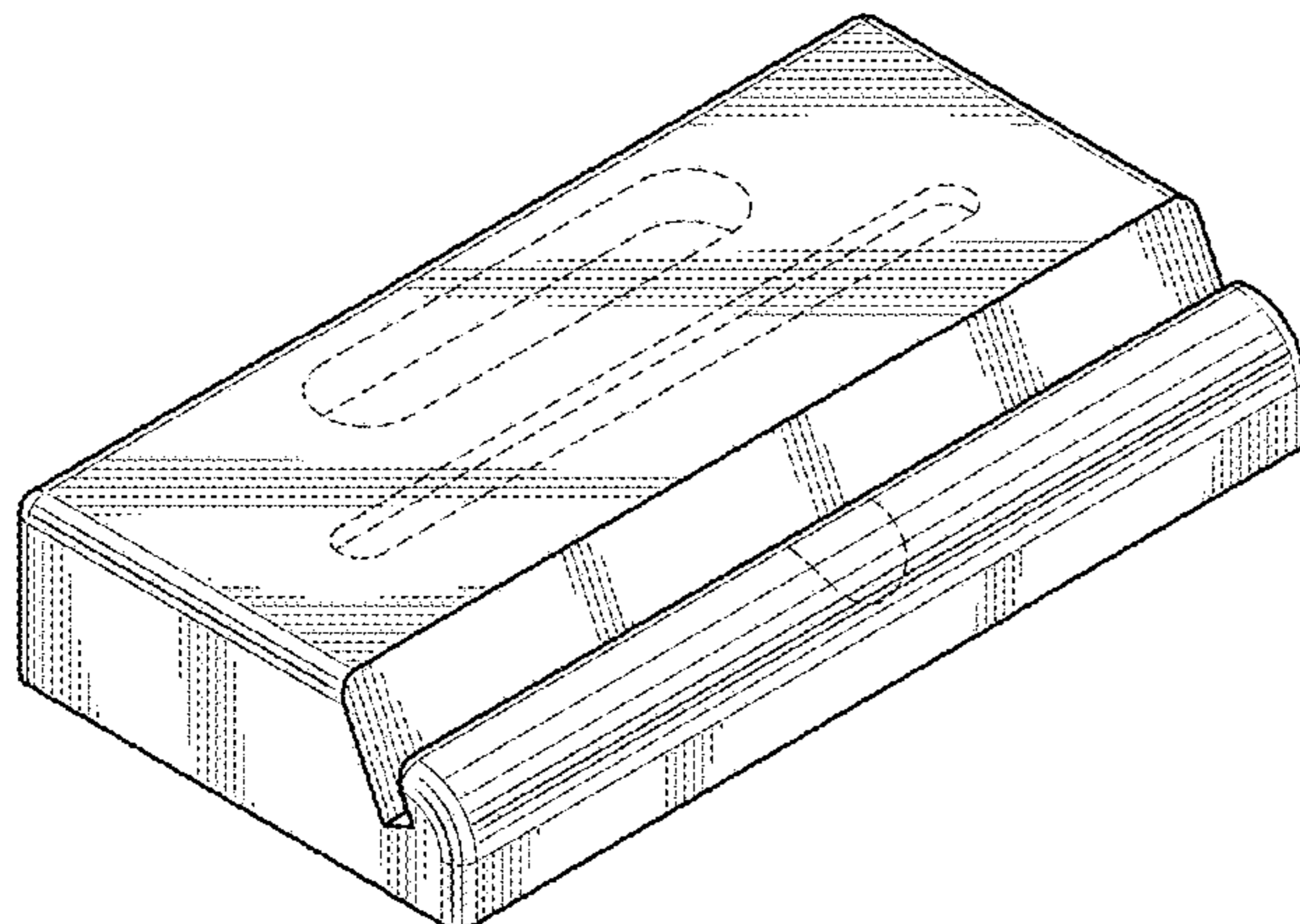
FIG. 12 is a rear view of FIG. 8 of the present invention;

FIG. 13 is a top view of FIG. 8 of the present invention; and,

FIG. 14 is a bottom view of FIG. 8 of the present invention.

The elements shown in the dash-dash broken lines form no part of the claimed design in this application, and are instead included to show environmental aspects of the claimed design. The dash-dot broken lines adjacent to the shaded portions form an unclaimed boundary of the design.

1 Claim, 6 Drawing Sheets



Related U.S. Application Data

23, 2014, now Pat. No. Des. 741,336, which is a continuation-in-part of application No. 29/473,003, filed on Nov. 18, 2013, now Pat. No. Des. 709,075.

(56)

References Cited

U.S. PATENT DOCUMENTS

D668,662 S	*	10/2012	Suiter	D14/447
D672,355 S	*	12/2012	Lee	D14/447
D700,614 S	*	3/2014	Hamblet	D14/447
D709,075 S	*	7/2014	Miniard	D14/447
D714,297 S	*	9/2014	Poulsen	D14/447
D741,336 S	*	10/2015	Miniard	D14/447
D761,799 S	*	7/2016	Miniard	D14/447
D771,055 S	*	11/2016	Sharma	D14/447
D791,778 S	*	7/2017	Miniard	D14/447
D828,361 S	*	9/2018	Turksu	D14/447
D872,095 S	*	1/2020	Miniard	D14/447

* cited by examiner

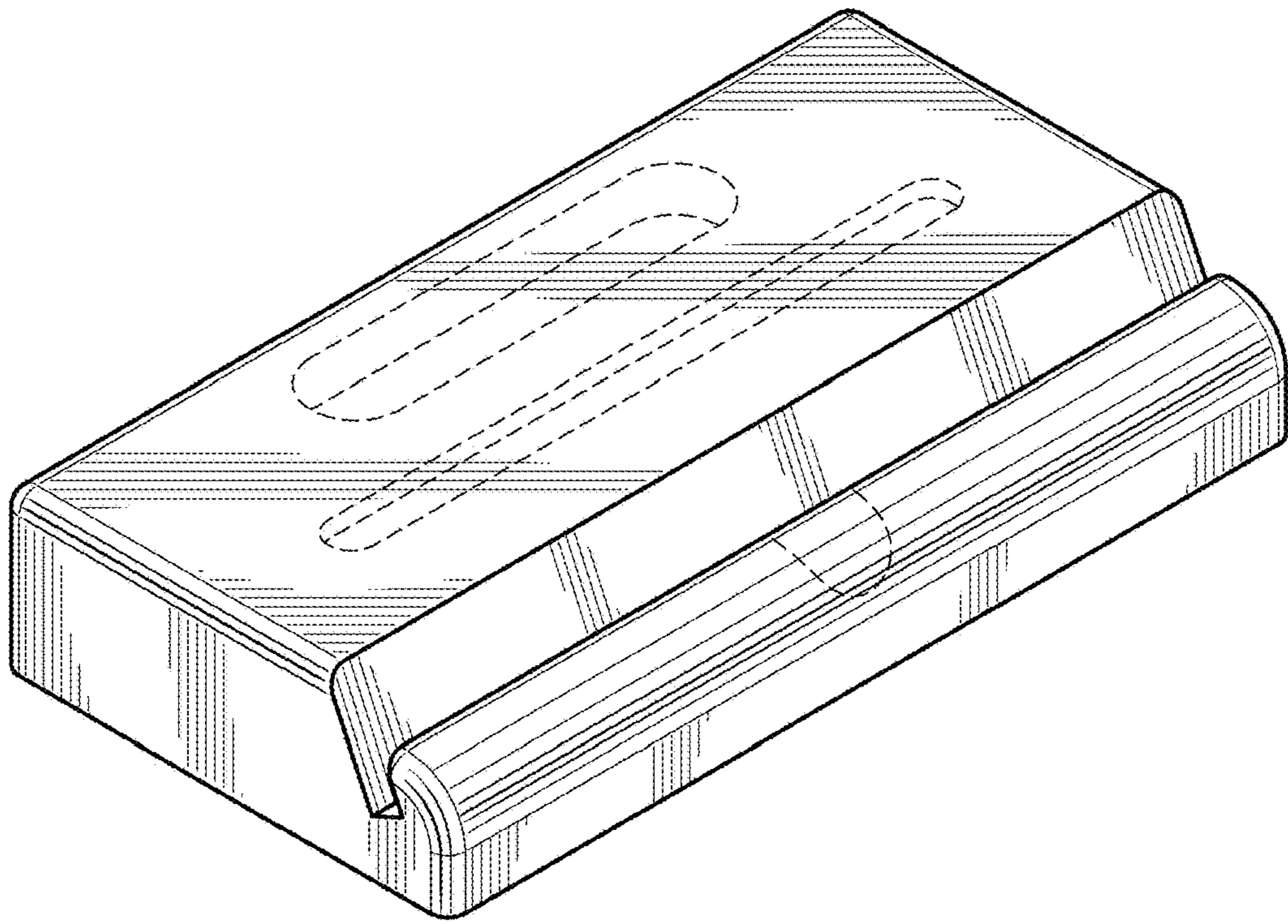


FIG. 1

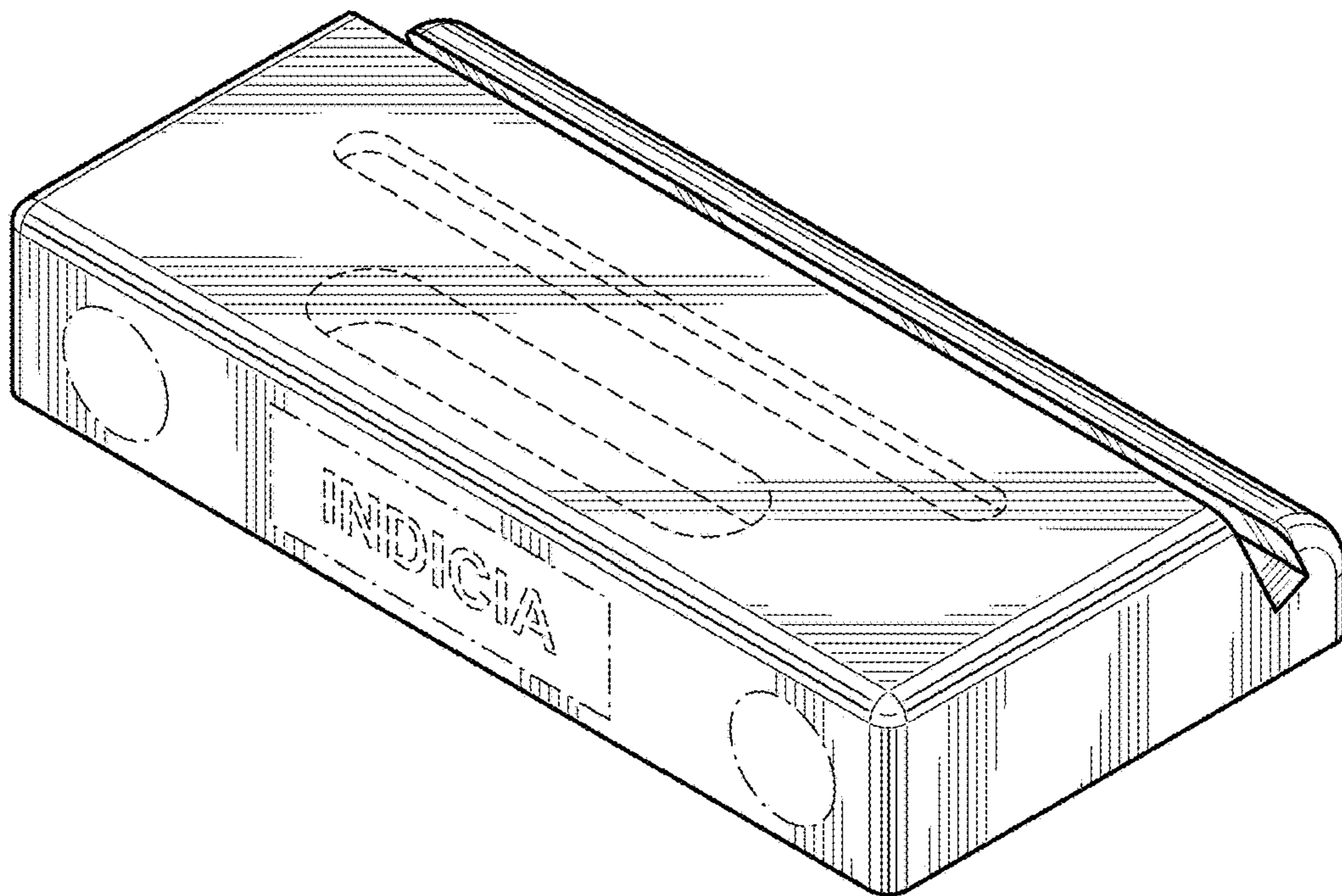


FIG. 2

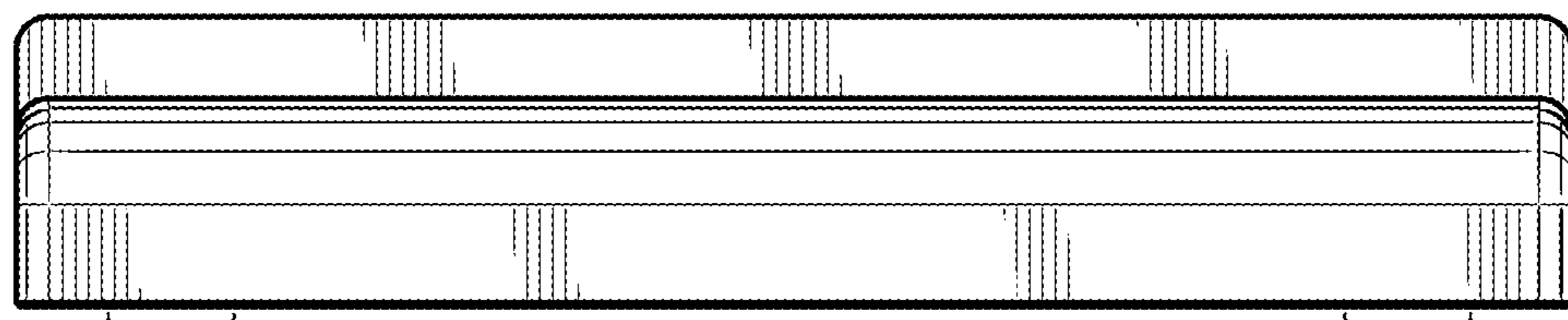


FIG. 3

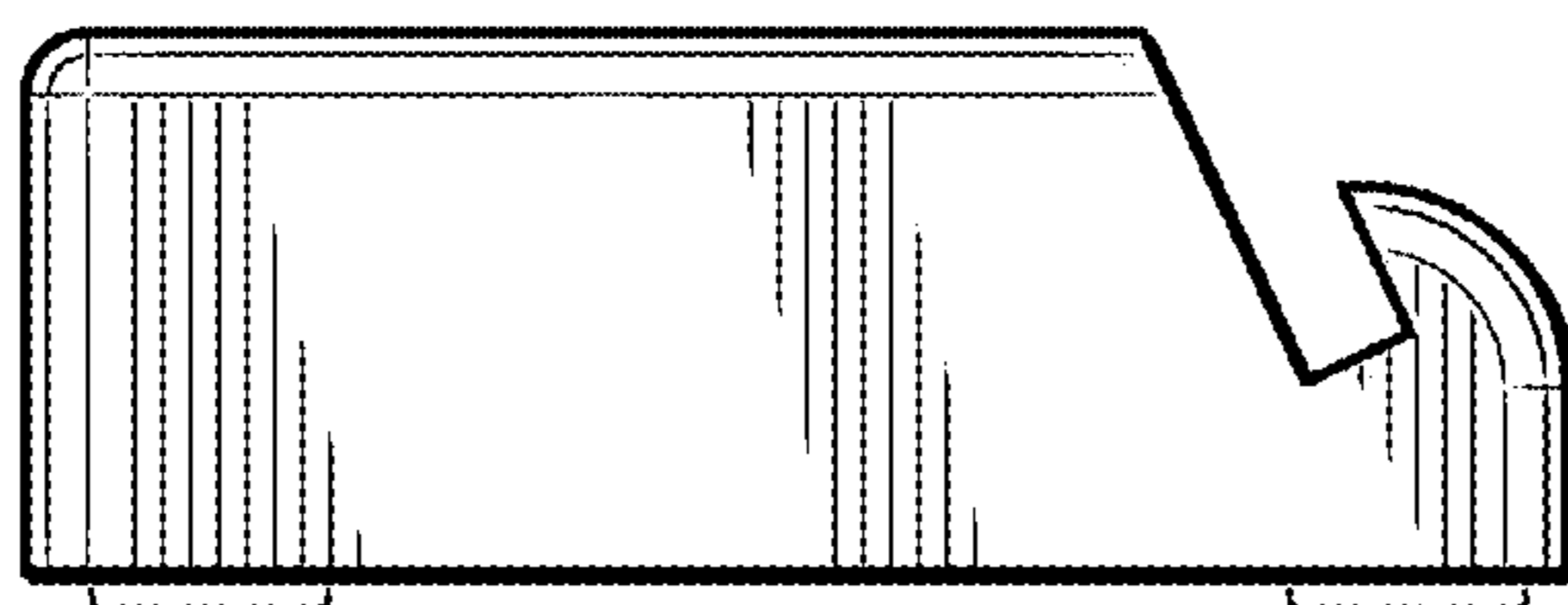


FIG. 4



FIG. 5

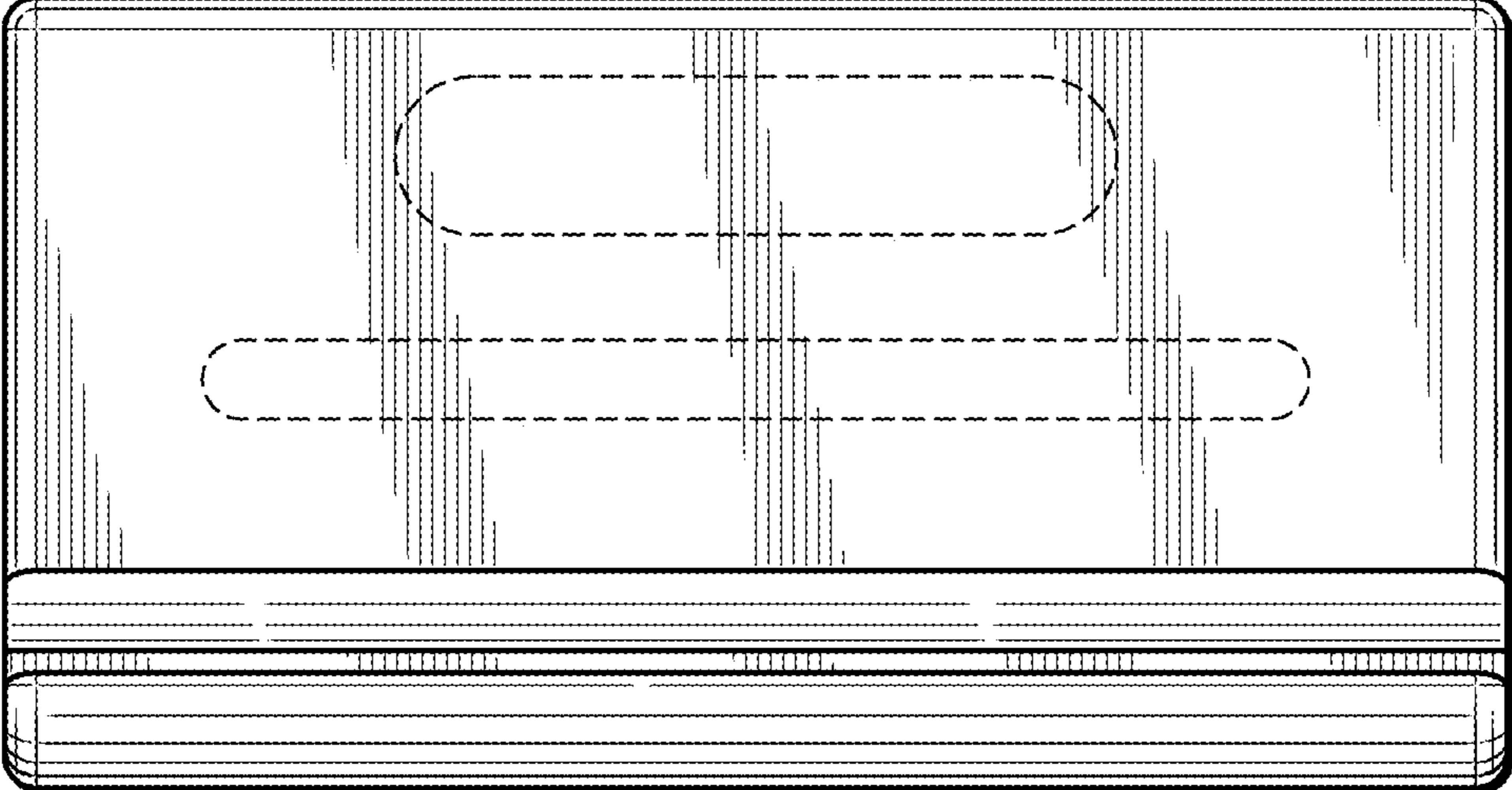


FIG. 6

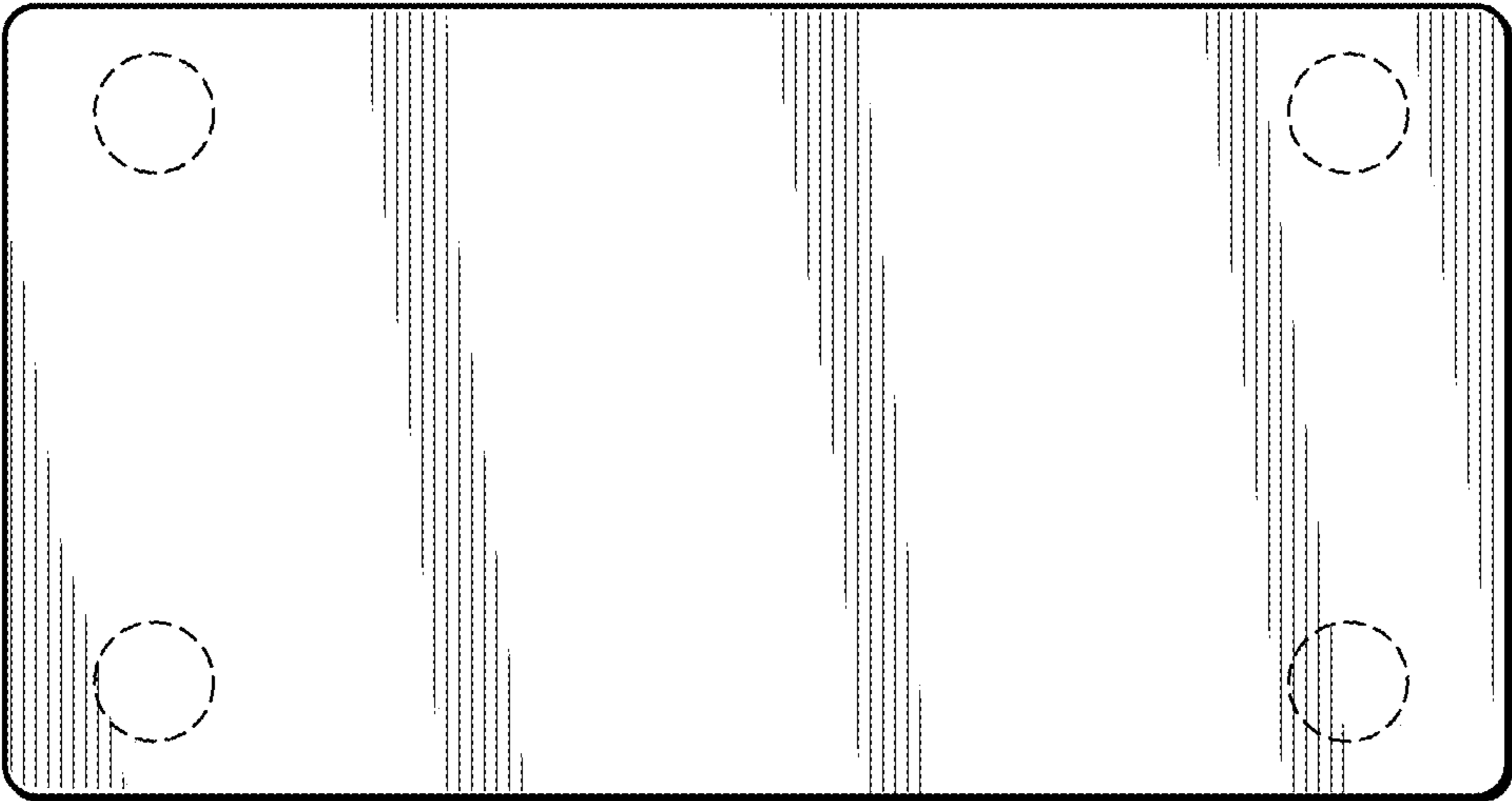


FIG. 7

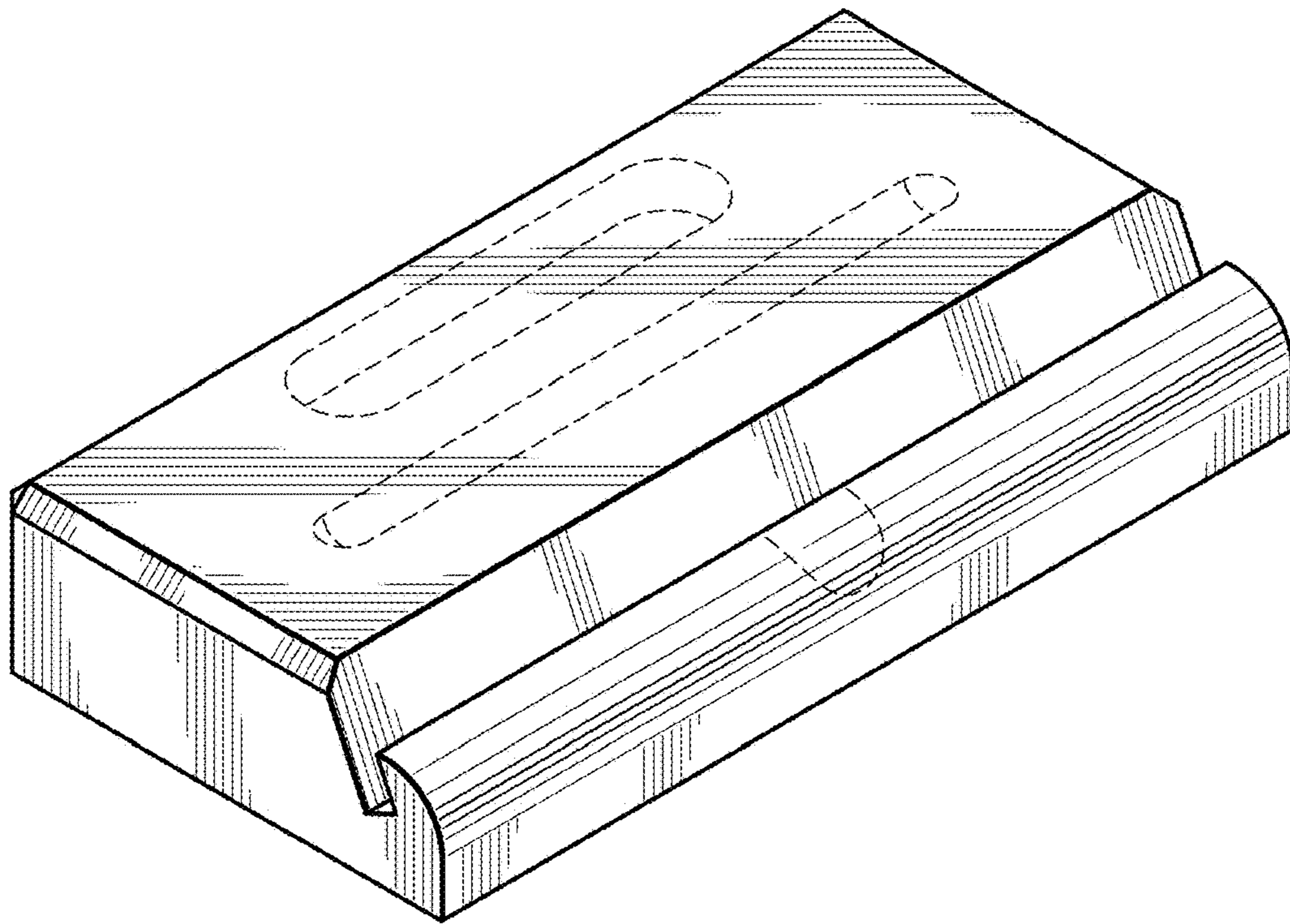


FIG. 8

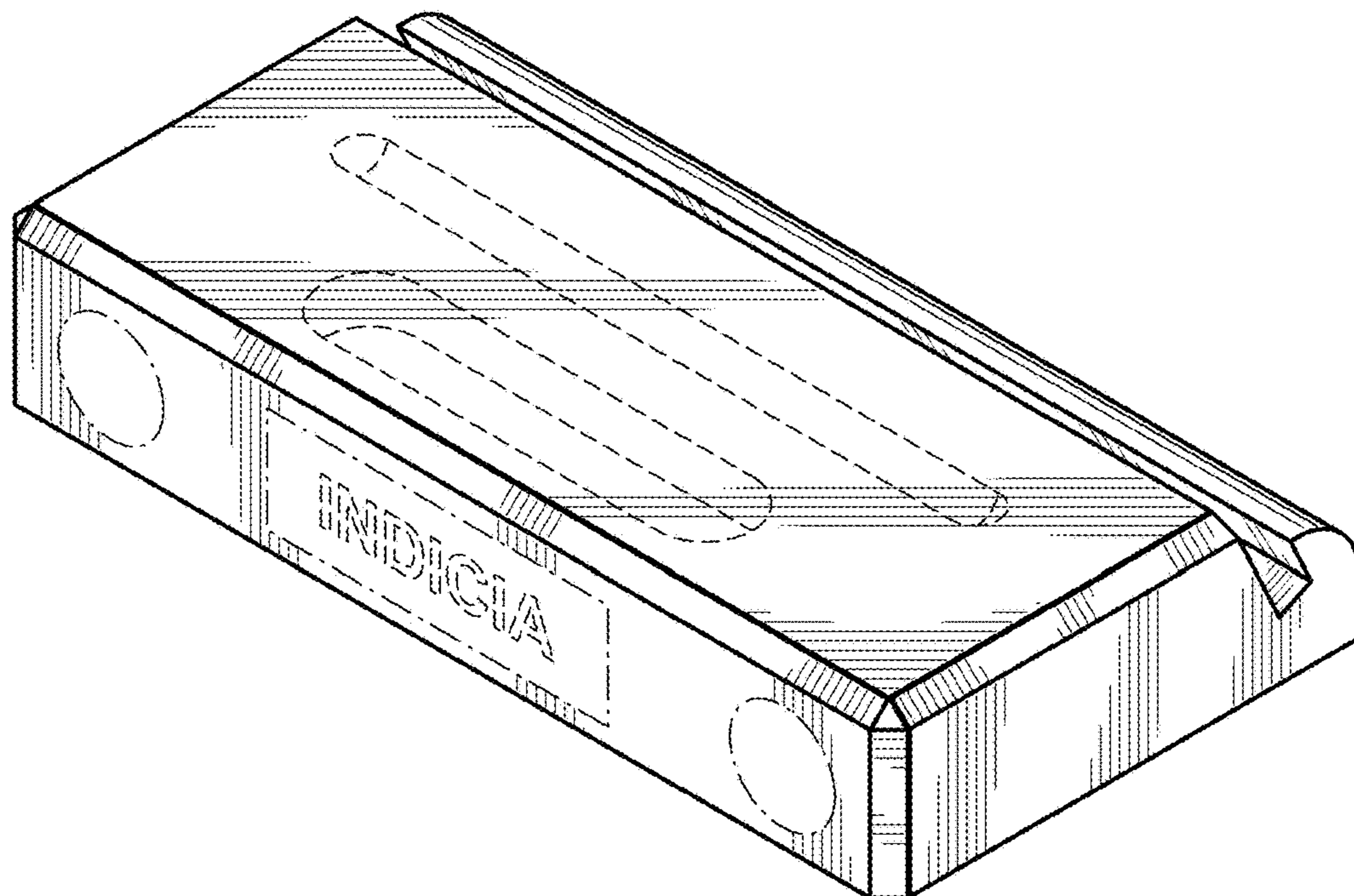


FIG. 9

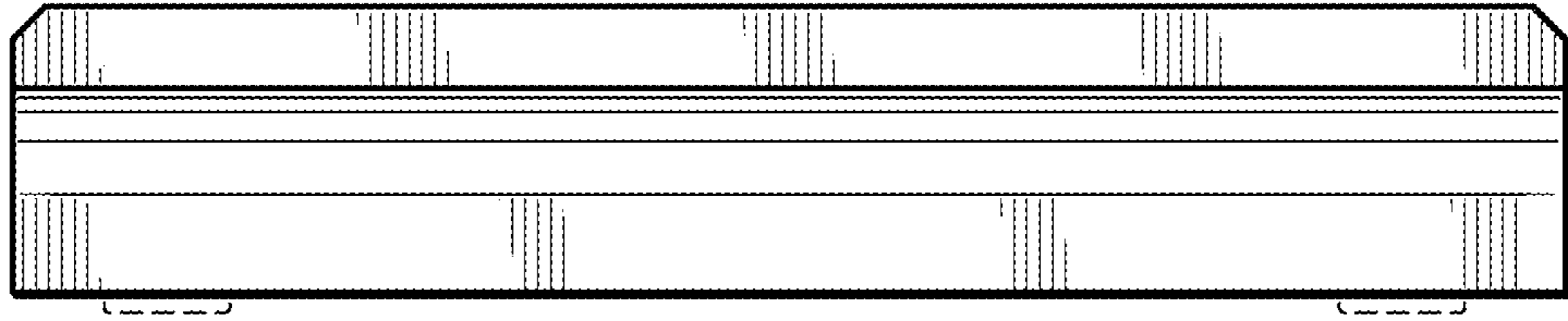


FIG. 10

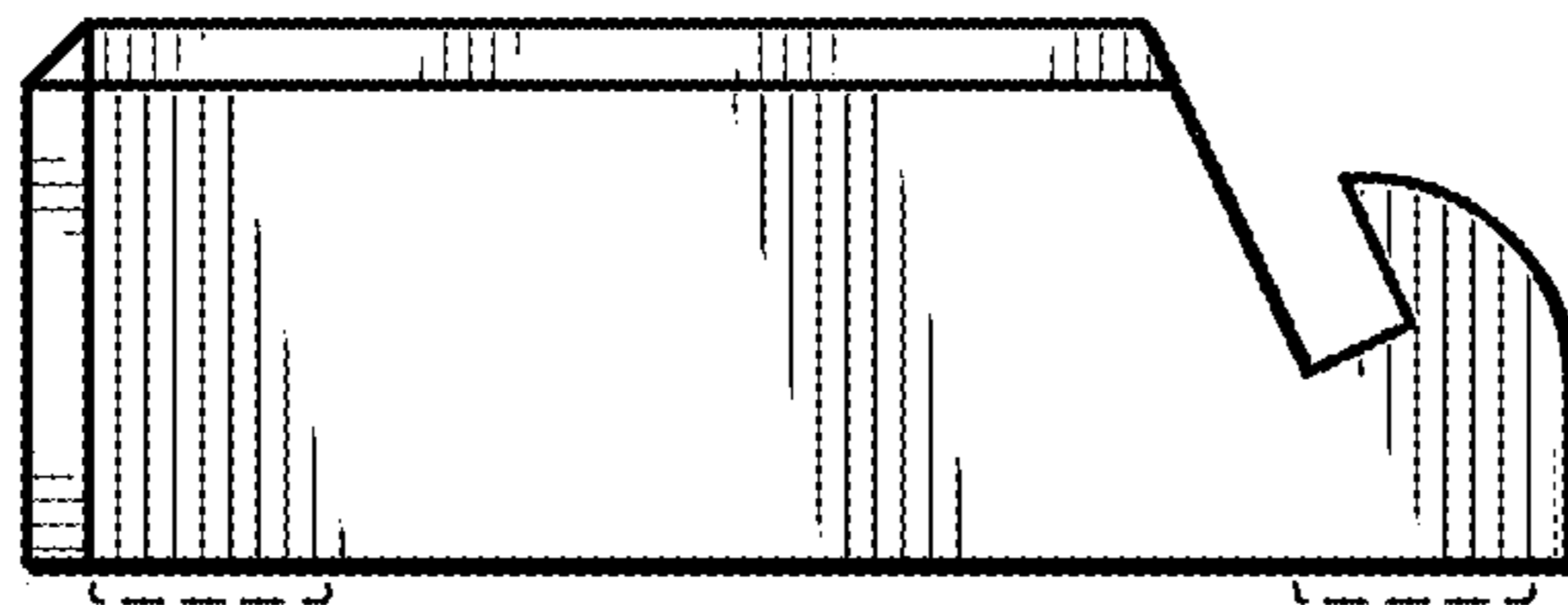


FIG. 11

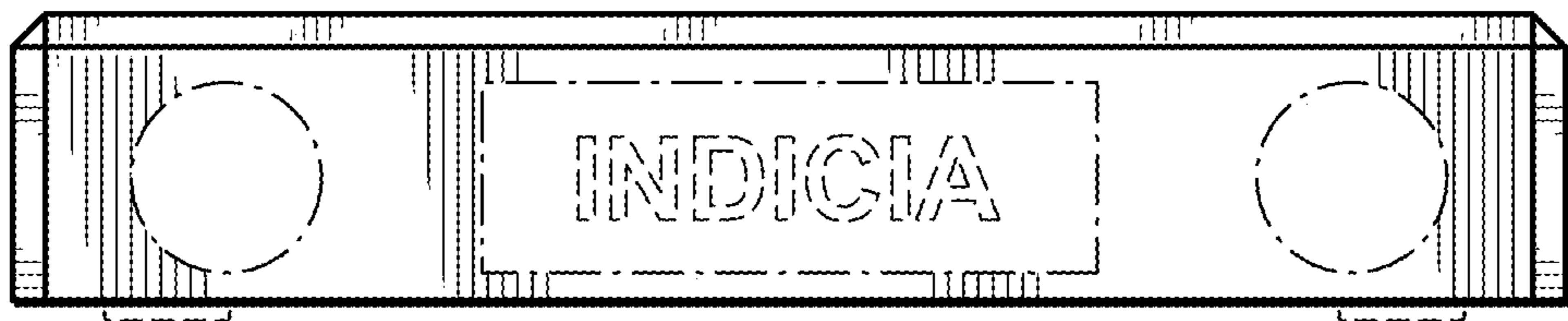


FIG. 12

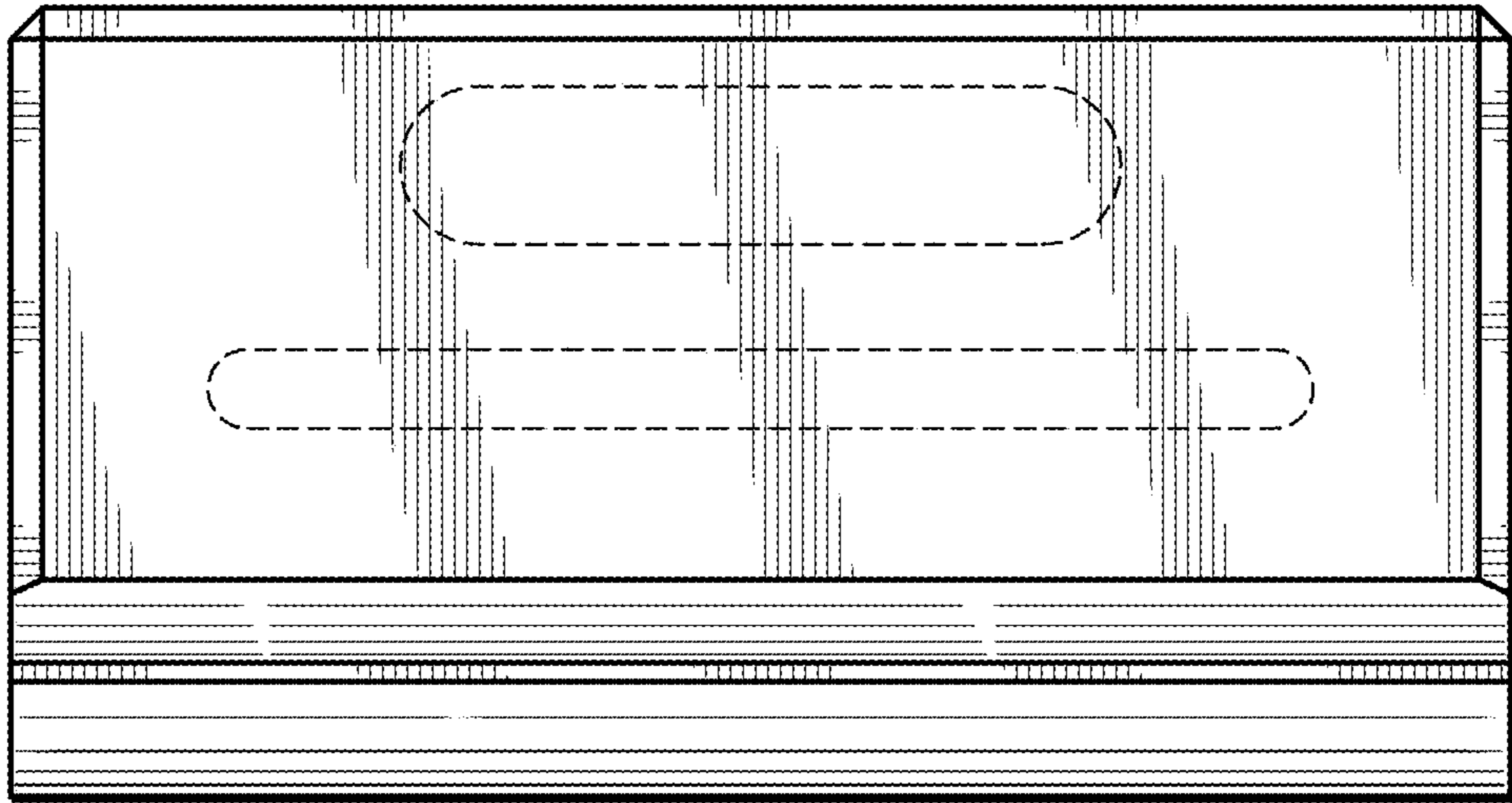


FIG. 13

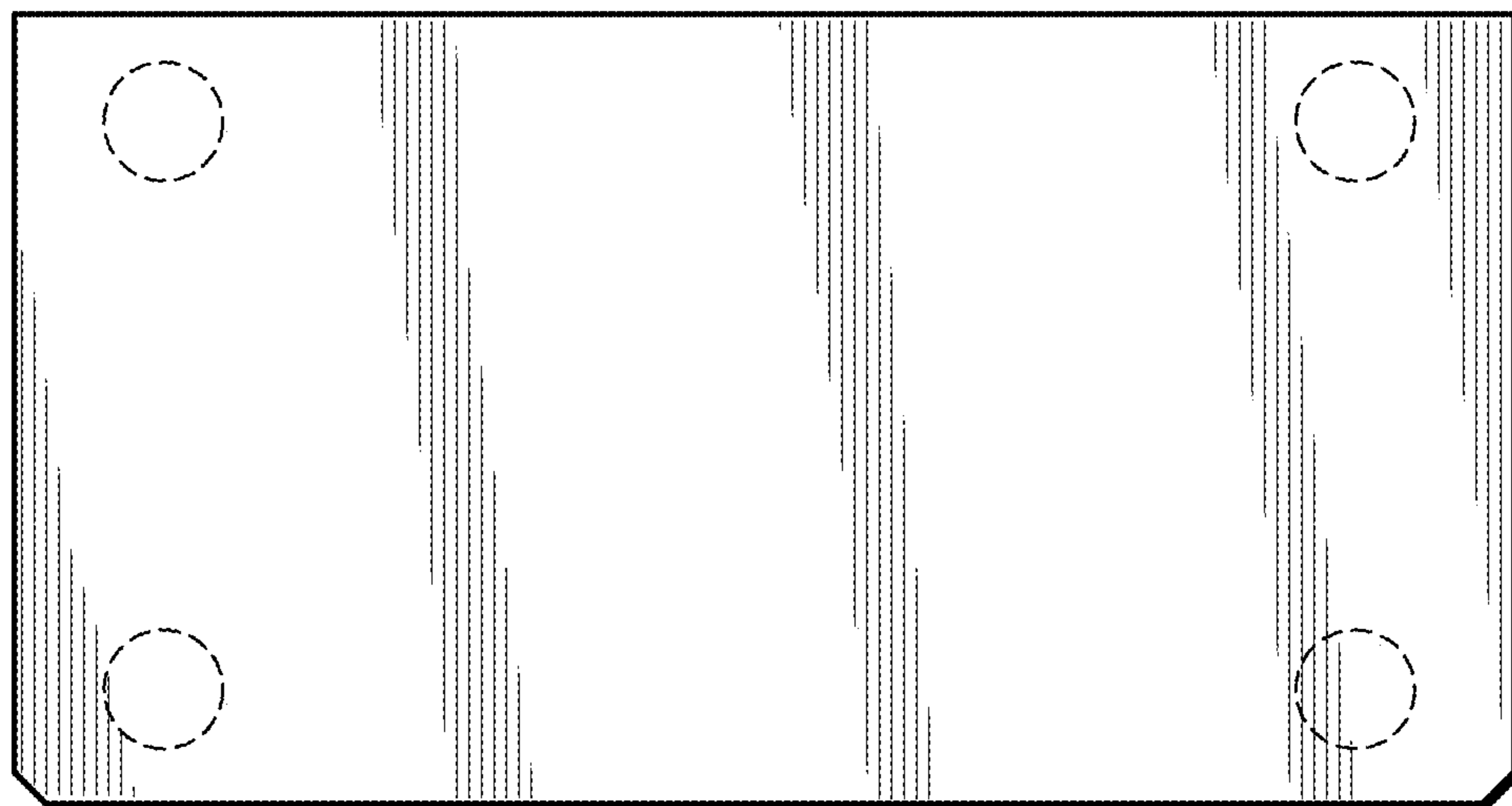


FIG. 14