



US00D936061S

(12) **United States Design Patent**  
**Li**

(10) **Patent No.:** **US D936,061 S**

(45) **Date of Patent:** **\*\* Nov. 16, 2021**

(54) **PROTECTIVE COVER FOR TABLET**

(71) Applicant: **SHENZHEN HONGGAODA INDUSTRY CO., LTD.**, Shenzhen (CN)

(72) Inventor: **Jianhui Li**, Shenzhen (CN)

(73) Assignee: **SHENZHEN HONGGAODA INDUSTRY CO., LTD.**, Shenzhen (CN)

(\*\*) Term: **15 Years**

(21) Appl. No.: **29/740,999**

(22) Filed: **Jul. 8, 2020**

(51) **LOC (13) Cl.** ..... **14-02**

(52) **U.S. Cl.**  
USPC ..... **D14/440**

(58) **Field of Classification Search**  
USPC ..... D14/440, 447, 250, 439, 344, 248, 496,  
D14/374, 371; 206/45.23, 320, 45.2;  
361/679.55; 294/25; 224/218; D3/294;  
D9/420

CPC .... G06F 1/1628; G06F 1/1626; A47B 23/044  
See application file for complete search history.

(56) **References Cited**

**U.S. PATENT DOCUMENTS**

|              |         |           |       |         |
|--------------|---------|-----------|-------|---------|
| D670,279 S * | 11/2012 | Veltz     | ..... | D14/250 |
| D690,305 S * | 9/2013  | Wen       | ..... | D14/440 |
| D724,093 S * | 3/2015  | Dong      | ..... | D14/440 |
| D733,154 S * | 6/2015  | Armstrong | ..... | D14/440 |
| D733,714 S * | 7/2015  | Ballou    | ..... | D14/440 |
| D737,276 S * | 8/2015  | Armstrong | ..... | D14/440 |

|                   |         |           |       |                        |
|-------------------|---------|-----------|-------|------------------------|
| D766,249 S *      | 9/2016  | Veltz     | ..... | D14/440                |
| D801,976 S *      | 11/2017 | Li        | ..... | D14/440                |
| D804,486 S *      | 12/2017 | Nyholm    | ..... | D14/440                |
| D807,370 S *      | 1/2018  | Chen      | ..... | D14/440                |
| D808,371 S *      | 1/2018  | Kim       | ..... | D14/250                |
| D808,395 S *      | 1/2018  | Fenton    | ..... | D14/440                |
| D872,093 S *      | 1/2020  | Xu        | ..... | D14/440                |
| D888,063 S *      | 6/2020  | Chan      | ..... | D14/440                |
| D888,719 S *      | 6/2020  | Moore     | ..... | D14/440                |
| D892,803 S *      | 8/2020  | Armstrong | ..... | D14/440                |
| D908,132 S *      | 1/2021  | Poon      | ..... | D14/440                |
| 2015/0068934 A1 * | 3/2015  | Armstrong | ..... | H04B 1/3888<br>206/320 |
| 2017/0045920 A1 * | 2/2017  | Armstrong | ..... | G06F 1/1669            |

\* cited by examiner

*Primary Examiner* — Cynthia R Underwood

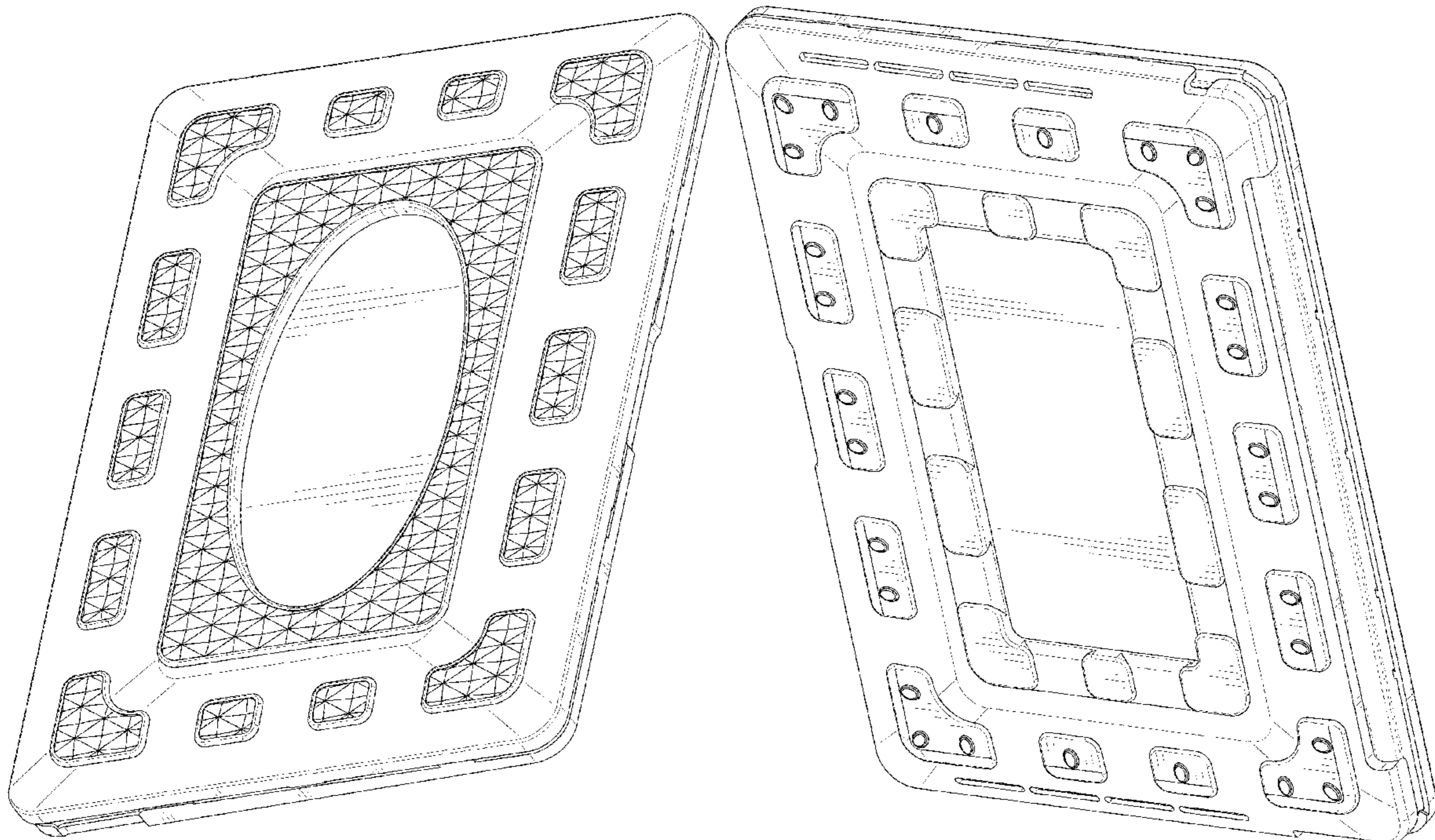
(57) **CLAIM**

The ornamental design for a protective cover for tablet, as shown and described.

**DESCRIPTION**

FIG. 1 is a perspective view of a protective cover for tablet showing my new design;  
FIG. 2 is another perspective view thereof;  
FIG. 3 is a front elevational view thereof;  
FIG. 4 is a rear elevational view thereof;  
FIG. 5 is a left side elevational view thereof;  
FIG. 6 is a right side elevational view thereof;  
FIG. 7 is a top plan view thereof; and,  
FIG. 8 is a bottom plan view thereof.  
The broken lines in the drawings depict portions of the protective cover for tablet that form no part of the claimed design.

**1 Claim, 8 Drawing Sheets**



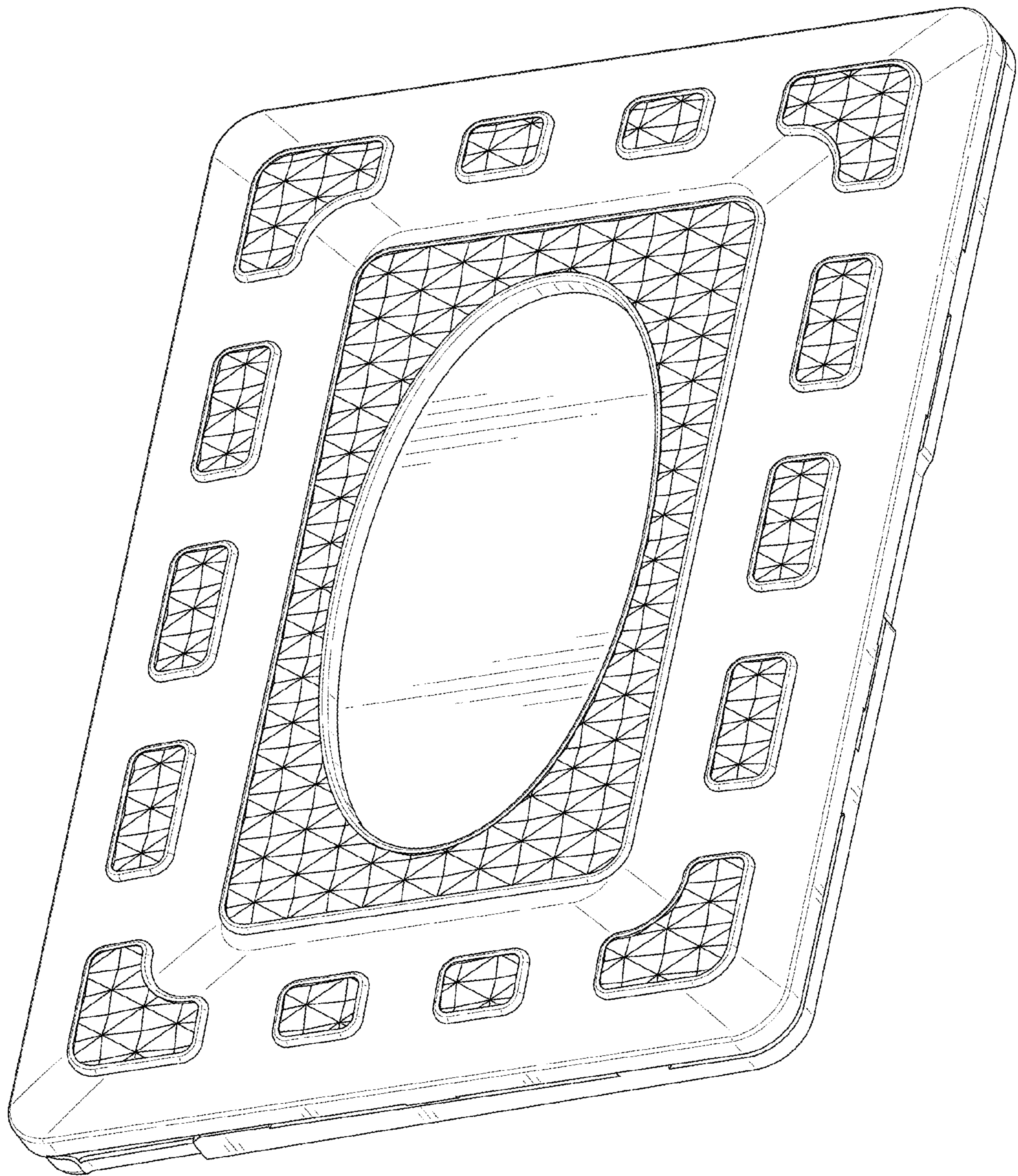


FIG. 1



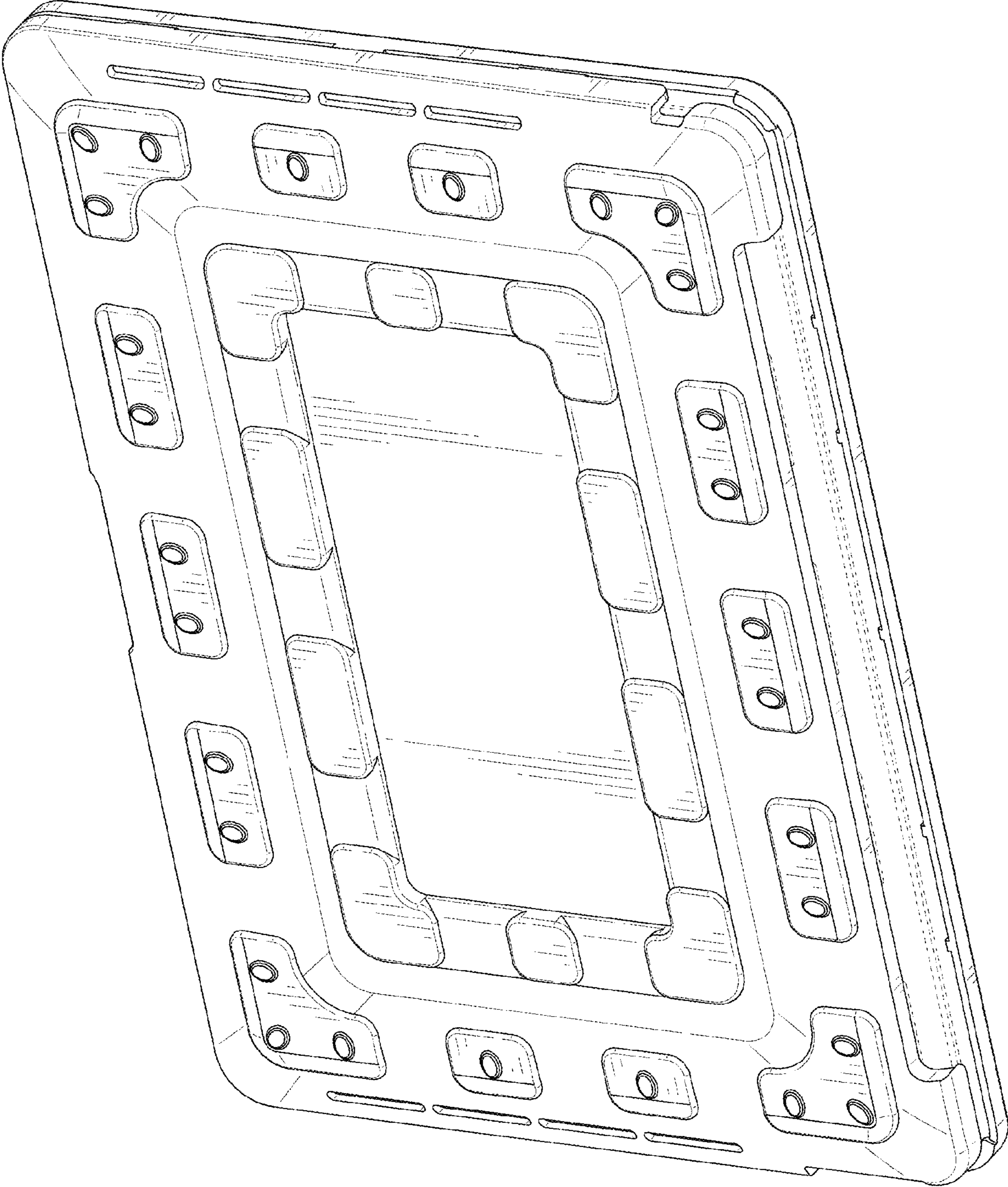


FIG. 2

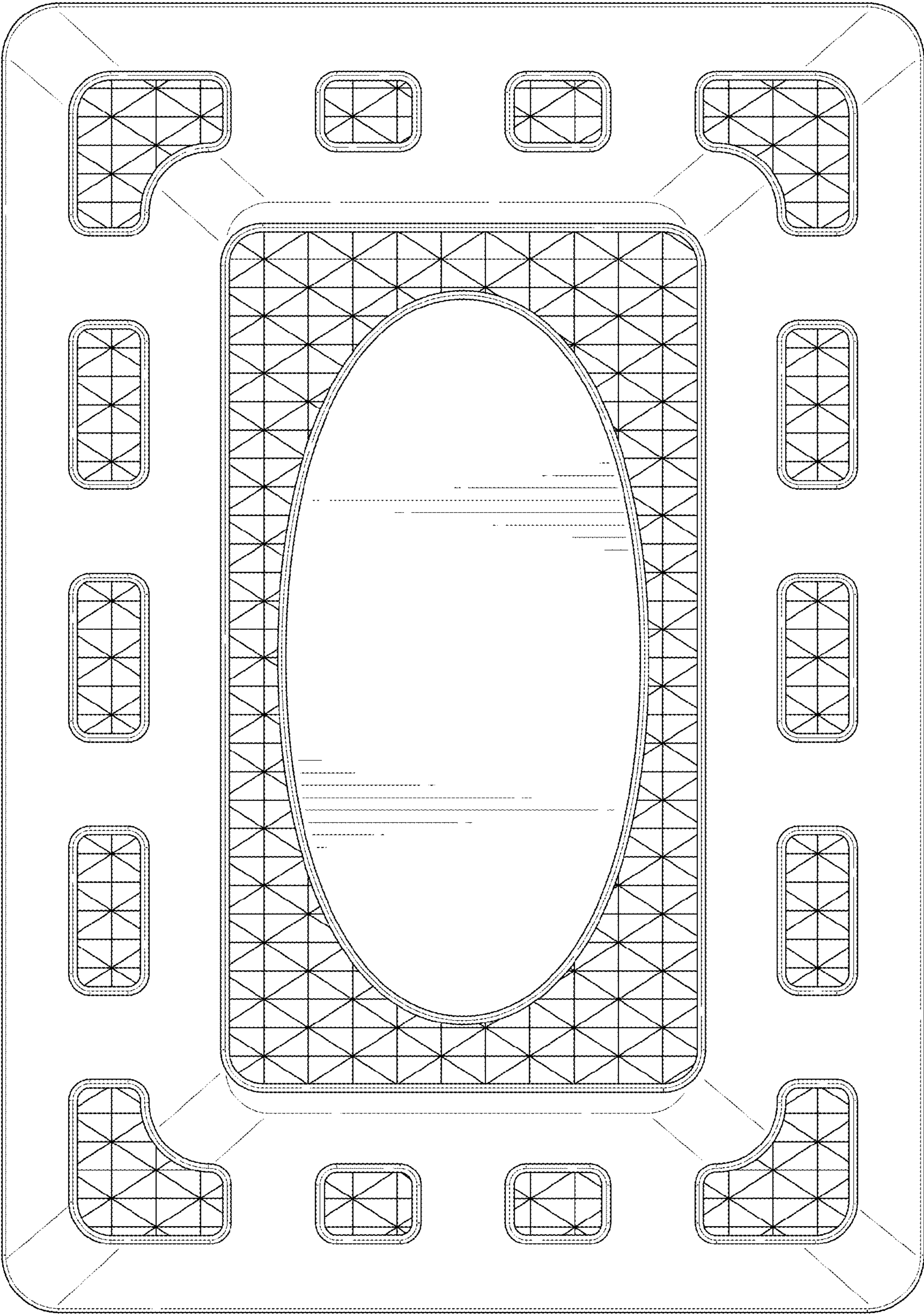


FIG. 3



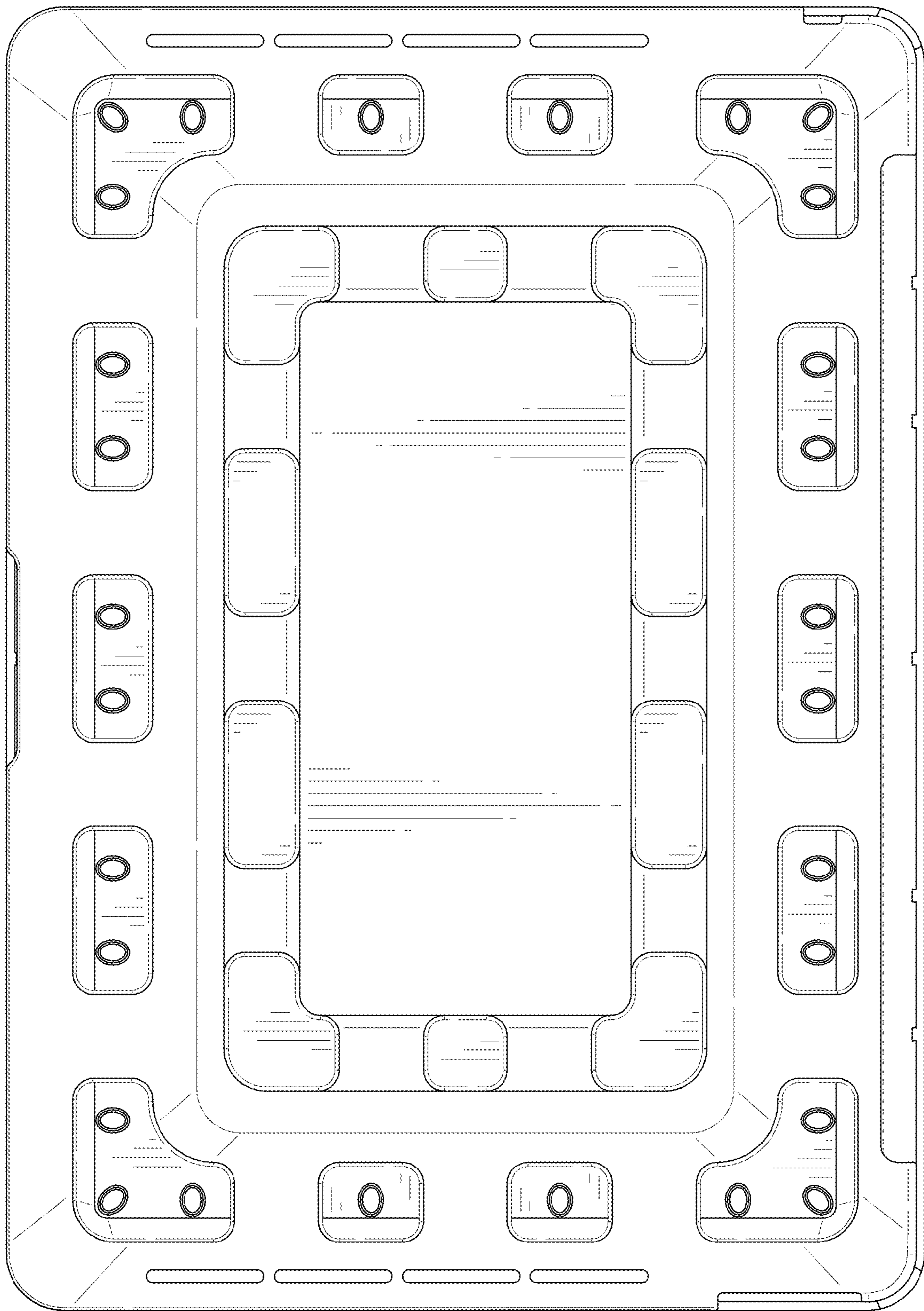


FIG. 4

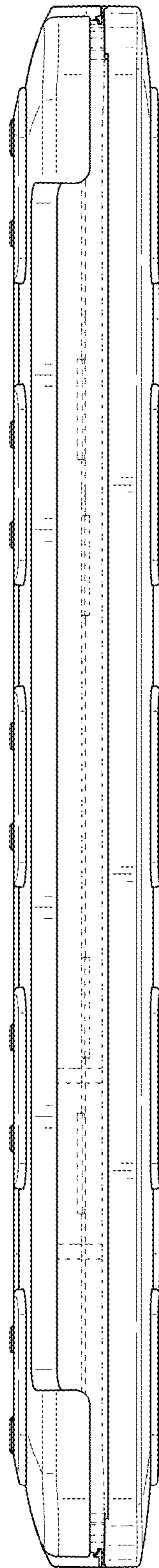


FIG. 5

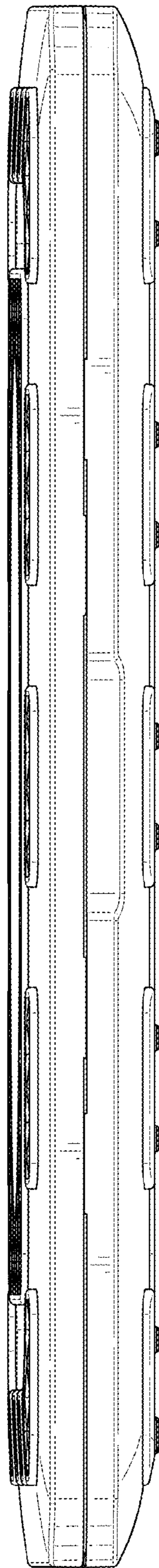


FIG. 6

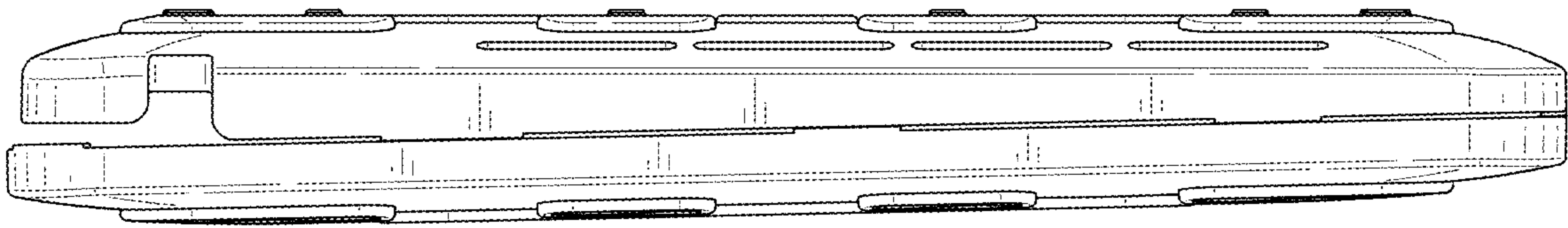


FIG. 7



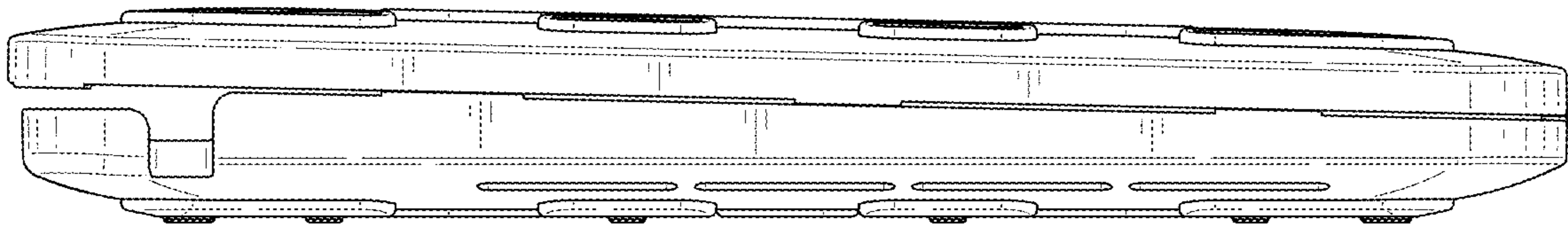


FIG. 8