



US00D936060S

(12) **United States Design Patent**
Zhang

(10) **Patent No.:** **US D936,060 S**

(45) **Date of Patent:** **** Nov. 16, 2021**

(54) **CASE FOR A PORTABLE DEVICE**

(71) Applicant: **iBenzer Inc.**, College Point, NY (US)

(72) Inventor: **Lina Zhang**, Bayside Hills, NY (US)

(73) Assignee: **iBenzer Inc.**, College Point, NY (US)

(**) Term: **15 Years**

(21) Appl. No.: **29/737,318**

(22) Filed: **Jun. 8, 2020**

(51) **LOC (13) Cl.** **14-02**

(52) **U.S. Cl.**
USPC **D14/440**

(58) **Field of Classification Search**
USPC D14/440, 447, 250, 439, 344, 248, 496,
D14/374, 371; 206/45.23, 320, 45.2;
361/679.55; 294/25; 224/218; D3/294;
D9/420
CPC G06F 1/1628; G06F 1/1626; A47B 23/044
See application file for complete search history.

(56) **References Cited**

U.S. PATENT DOCUMENTS

| | | | | |
|----------------|---------|-----------|-------|-----------------------|
| D397,246 S * | 8/1998 | Hoofnagle | | D3/201 |
| D448,761 S * | 10/2001 | Powell | | D14/250 |
| D448,762 S * | 10/2001 | Powell | | D14/250 |
| D451,094 S * | 11/2001 | Powell | | D14/250 |
| D605,645 S * | 12/2009 | Kettula | | D14/253 |
| D641,756 S * | 7/2011 | Hsieh | | D14/440 |
| D643,029 S * | 8/2011 | Feng | | D14/250 |
| 8,016,107 B2 * | 9/2011 | Emsky | | A45C 11/00 206/320 |
| D646,266 S * | 10/2011 | Kim | | D14/250 |
| D665,809 S * | 8/2012 | Wang | | D14/248 |
| D668,660 S * | 10/2012 | Norfolk | | D14/440 |
| D670,702 S * | 11/2012 | Zhang | | D14/440 |
| D675,210 S * | 1/2013 | Kim | | D14/439 |
| D676,854 S * | 2/2013 | Hsu | | D14/447 |
| D677,249 S * | 3/2013 | Li | | D14/250 |

| | | | | |
|--------------|---------|----------|-------|---------|
| D678,293 S * | 3/2013 | Meehan | | D14/440 |
| D687,427 S * | 8/2013 | Peterson | | D14/250 |
| D690,703 S * | 10/2013 | Welch | | D14/440 |
| D698,772 S * | 2/2014 | Merenda | | D14/250 |
| D708,621 S * | 7/2014 | Gifford | | D14/447 |
| D713,846 S * | 9/2014 | Chen | | D14/440 |
| D718,316 S * | 11/2014 | Veltz | | D14/440 |
| D727,918 S * | 4/2015 | Soare | | D14/440 |

(Continued)

Primary Examiner — Cynthia R Underwood

(74) *Attorney, Agent, or Firm* — iPA & iPM

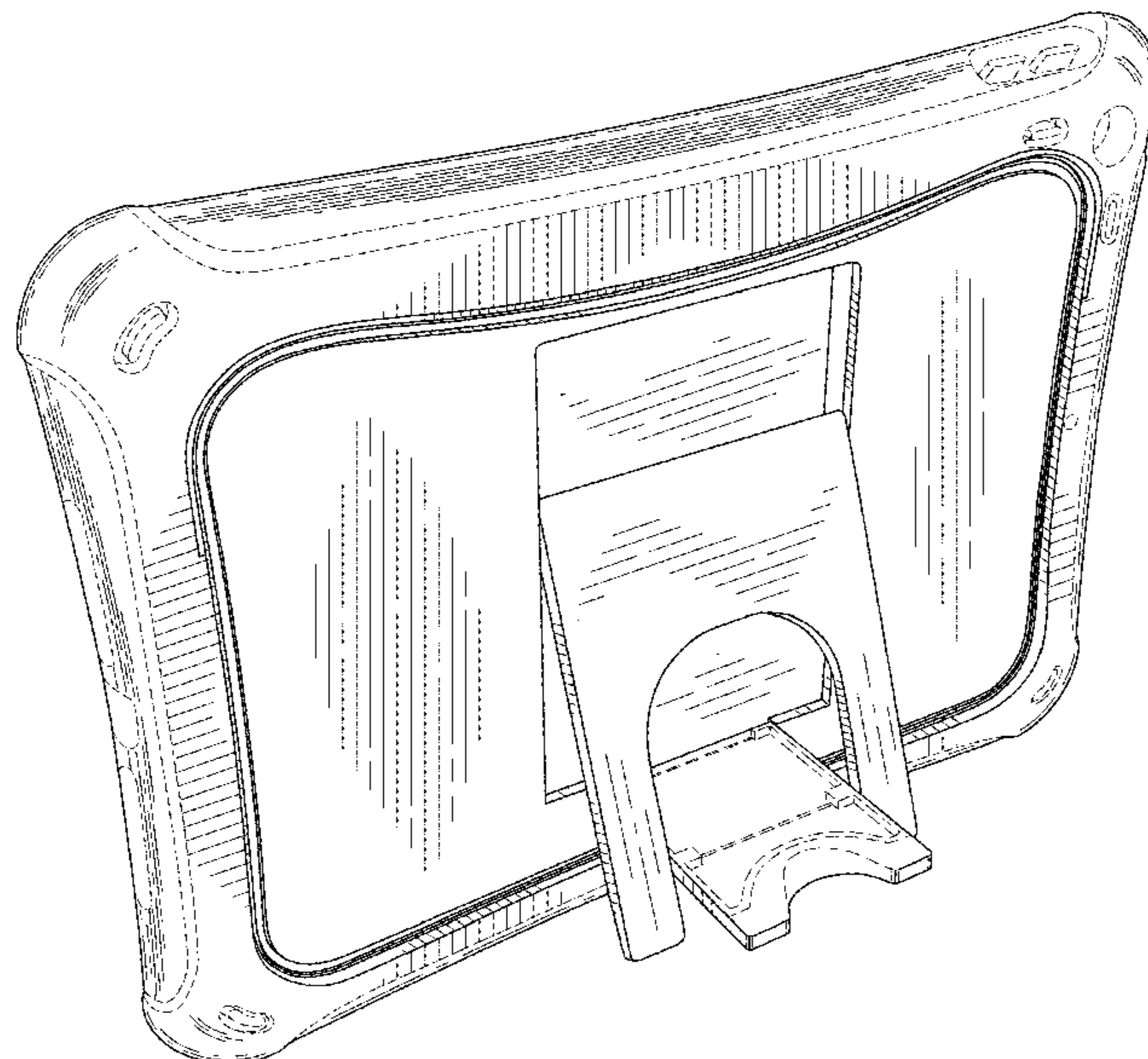
(57) **CLAIM**

The ornamental design for a case for a portable device, as shown and described.

DESCRIPTION

FIG. 1 is a perspective view of a case for a portable device showing my new design;
 FIG. 2 is a top view thereof;
 FIG. 3 is a front view thereof;
 FIG. 4 is a left side view thereof;
 FIG. 5 is a right side view thereof;
 FIG. 6 is a bottom view thereof;
 FIG. 7 is a back view thereof;
 FIG. 8 is a perspective view from behind with a stand in an opened position;
 FIG. 9 is a top view thereof;
 FIG. 10 is a front view thereof;
 FIG. 11 is a left side view thereof;
 FIG. 12 is a right side view thereof;
 FIG. 13 is a bottom view thereof;
 FIG. 14 is a back view thereof;
 FIG. 15 is a perspective view of the case affixed to a vertical surface; and,
 FIG. 16 is a perspective view of the case resting on its open stand.
 Features shown in broken lines in the drawings form no part of the claimed design.

1 Claim, 7 Drawing Sheets



(56)

References Cited

U.S. PATENT DOCUMENTS

| | | | | |
|--------------|------|---------|-----------------|-------------|
| D749,592 | S * | 2/2016 | Huang | D14/440 |
| D750,619 | S * | 3/2016 | Amit | D14/341 |
| D757,731 | S * | 5/2016 | Nguyen | D14/440 |
| D766,247 | S * | 9/2016 | Burmester | D14/440 |
| D776,122 | S * | 1/2017 | Akana | D14/440 |
| D776,123 | S * | 1/2017 | Akana | D14/440 |
| D777,167 | S * | 1/2017 | Wengreen | D14/447 |
| D786,879 | S * | 5/2017 | Kim | D14/440 |
| D795,880 | S * | 8/2017 | Akana | D14/440 |
| D804,486 | S * | 12/2017 | Nyholm | D14/440 |
| D807,892 | S * | 1/2018 | Wang | D14/440 |
| D829,721 | S * | 10/2018 | Zhang | D14/440 |
| D832,836 | S * | 11/2018 | Akana | D14/345 |
| D854,546 | S * | 7/2019 | Mecchella | D14/440 |
| D863,317 | S | 10/2019 | Piper et al. | |
| D872,070 | S | 1/2020 | Fenton et al. | |
| D928,167 | S * | 8/2021 | Cheng | D14/440 |
| 2012/0170212 | A1 * | 7/2012 | Gallouzi | F16M 11/041 |
| | | | | 361/679.56 |
| 2013/0222139 | A1 * | 8/2013 | Gouge | A61B 5/01 |
| | | | | 340/573.1 |

* cited by examiner

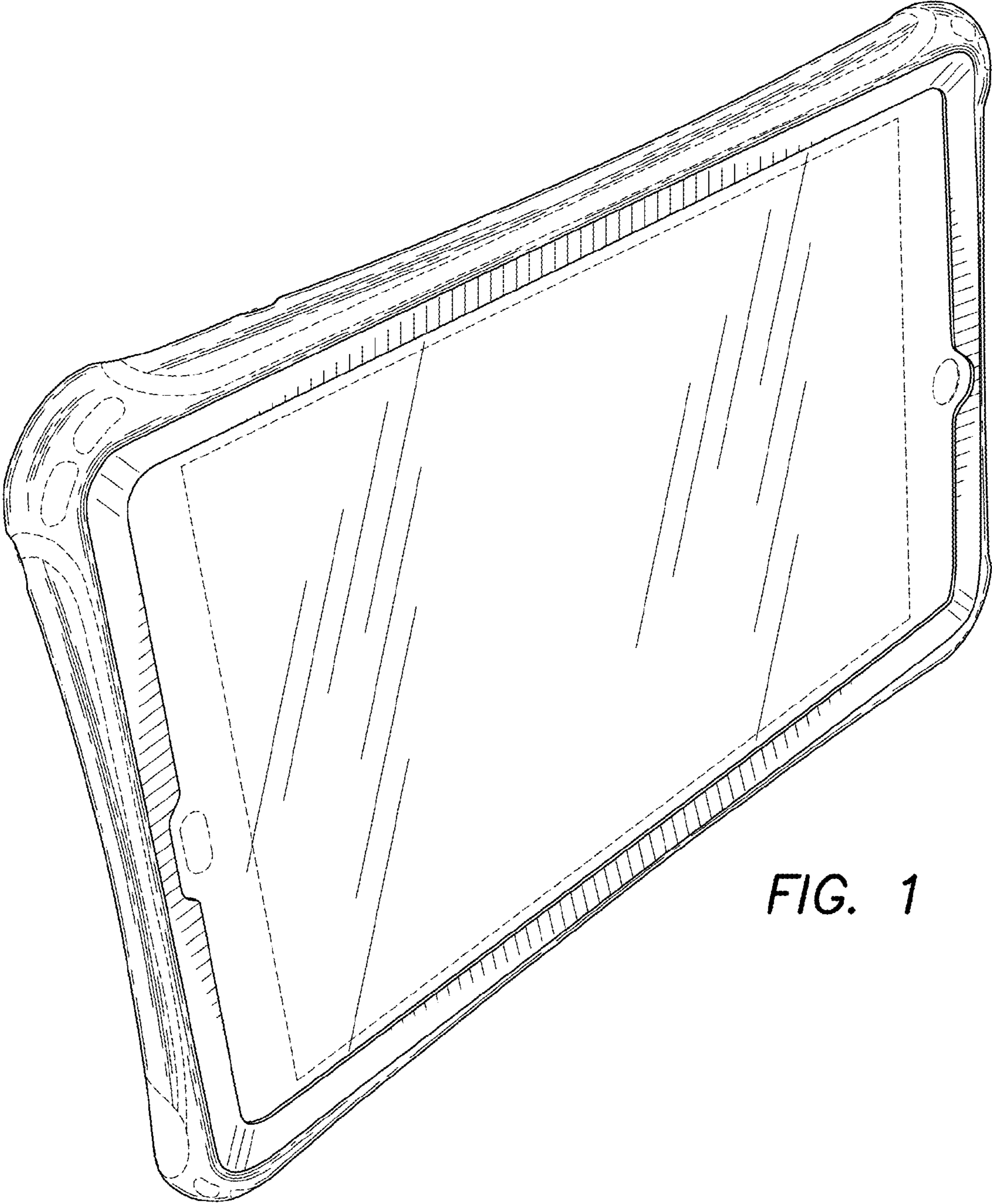


FIG. 1



FIG. 2

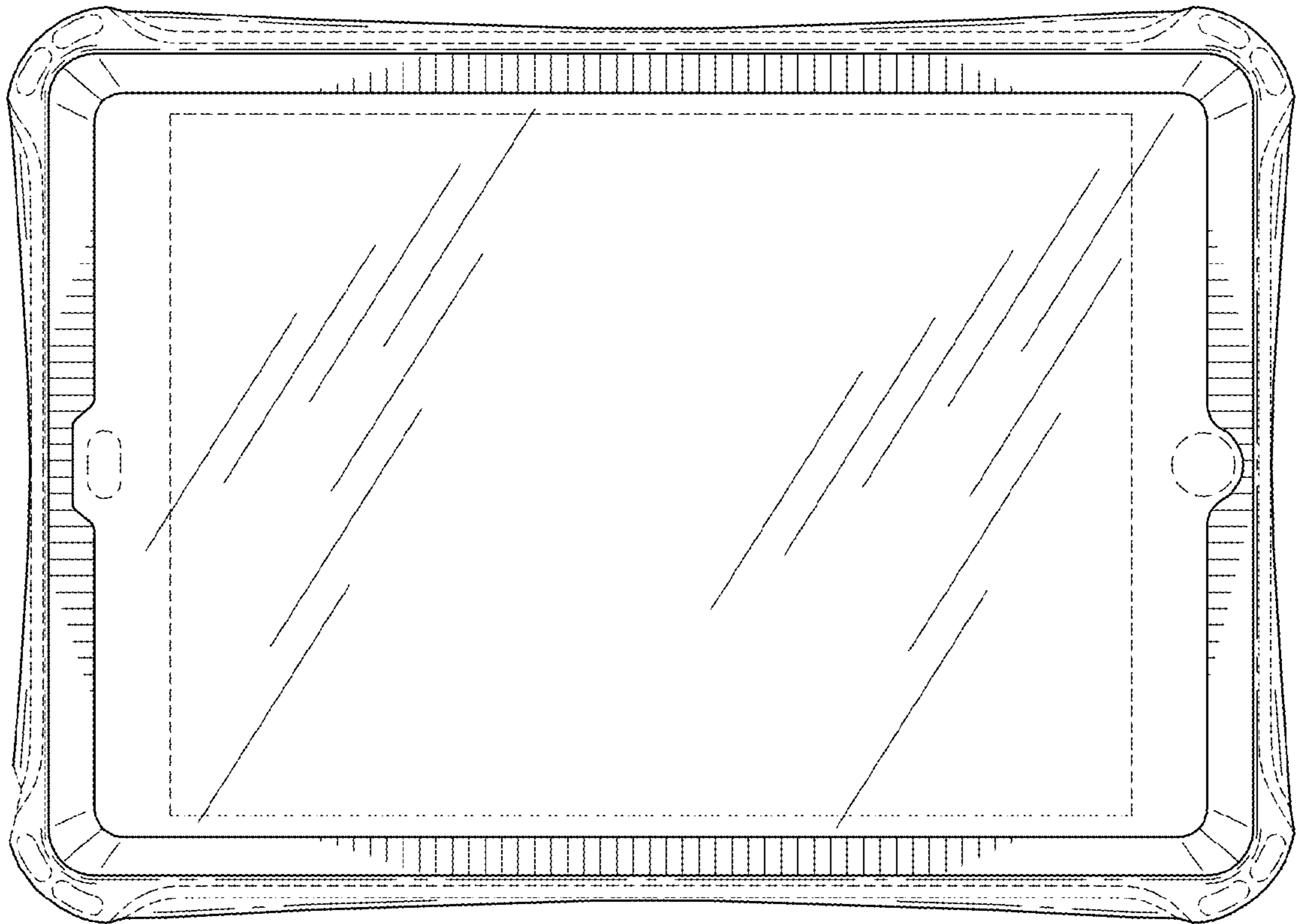


FIG. 3



FIG. 4

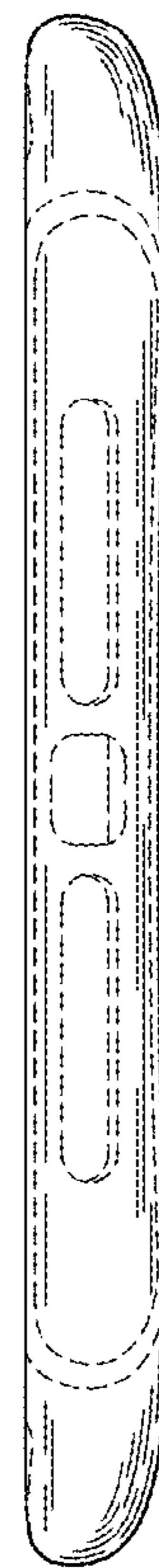


FIG. 5

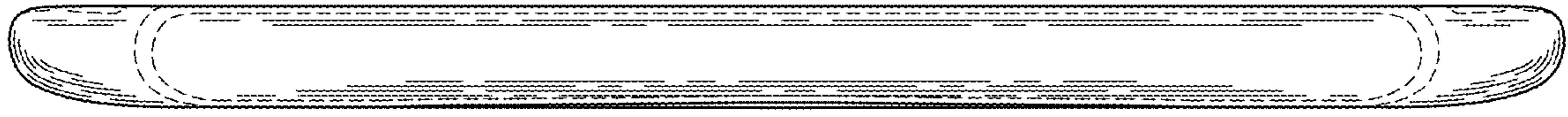


FIG. 6

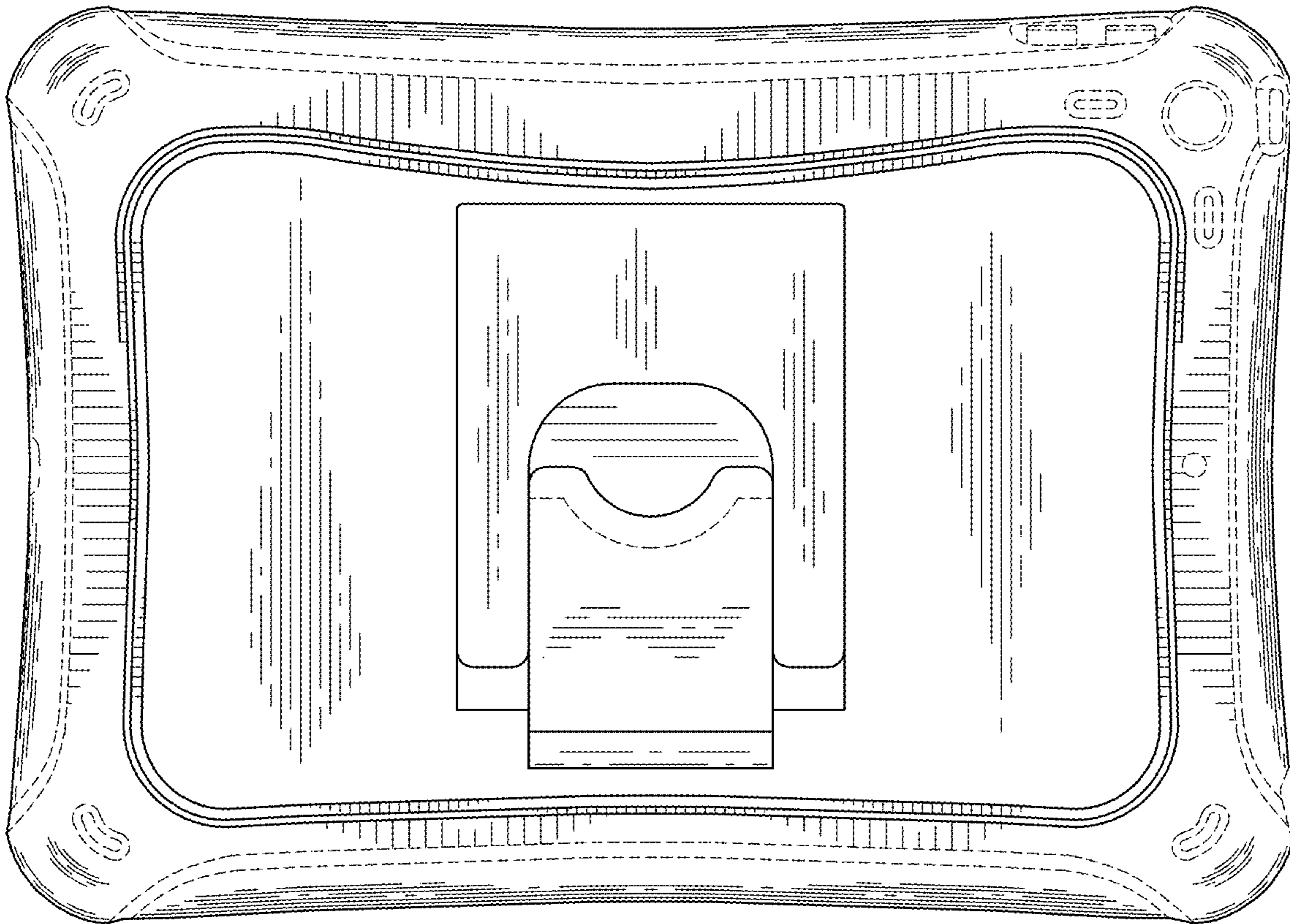


FIG. 7

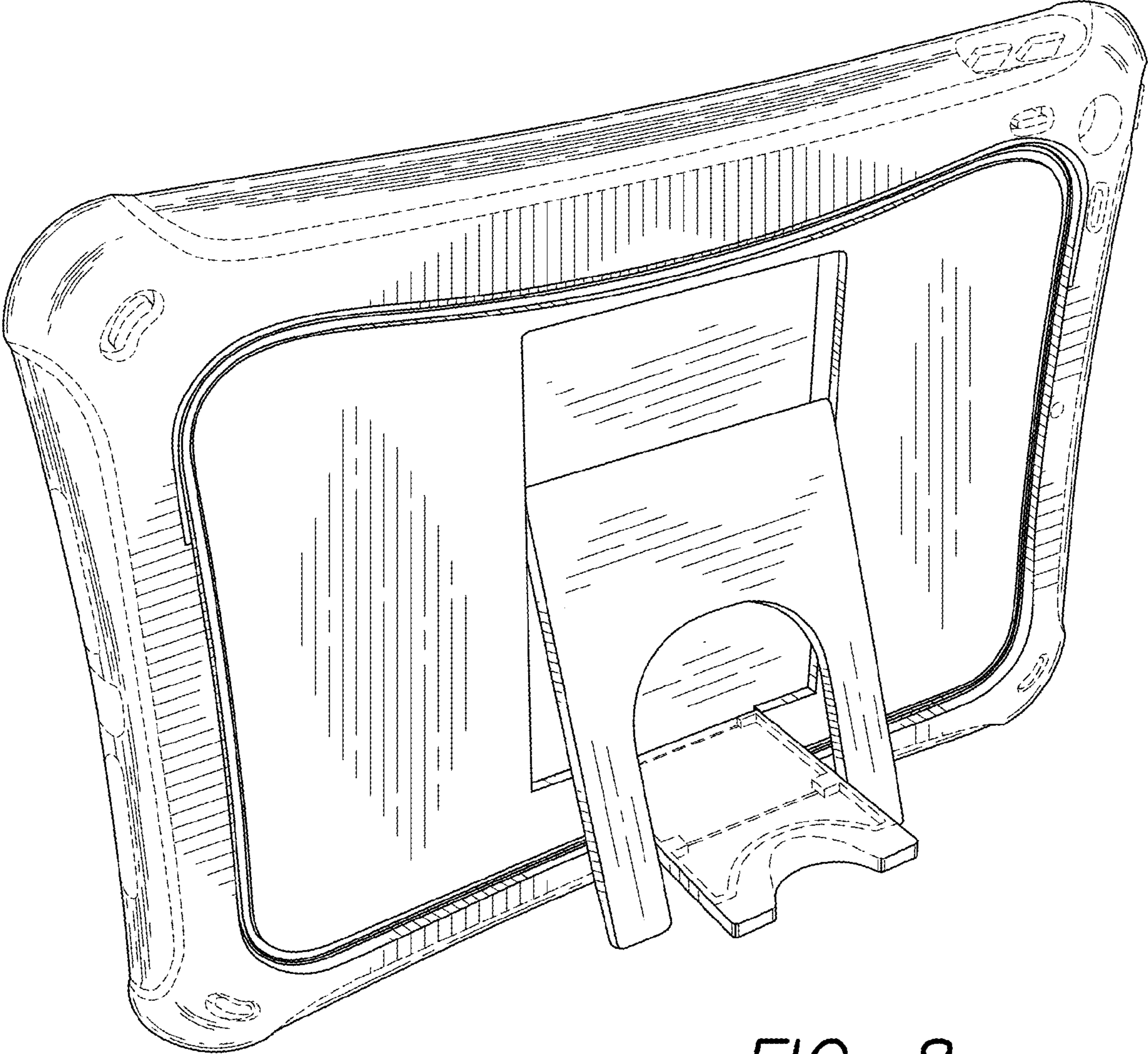


FIG. 8

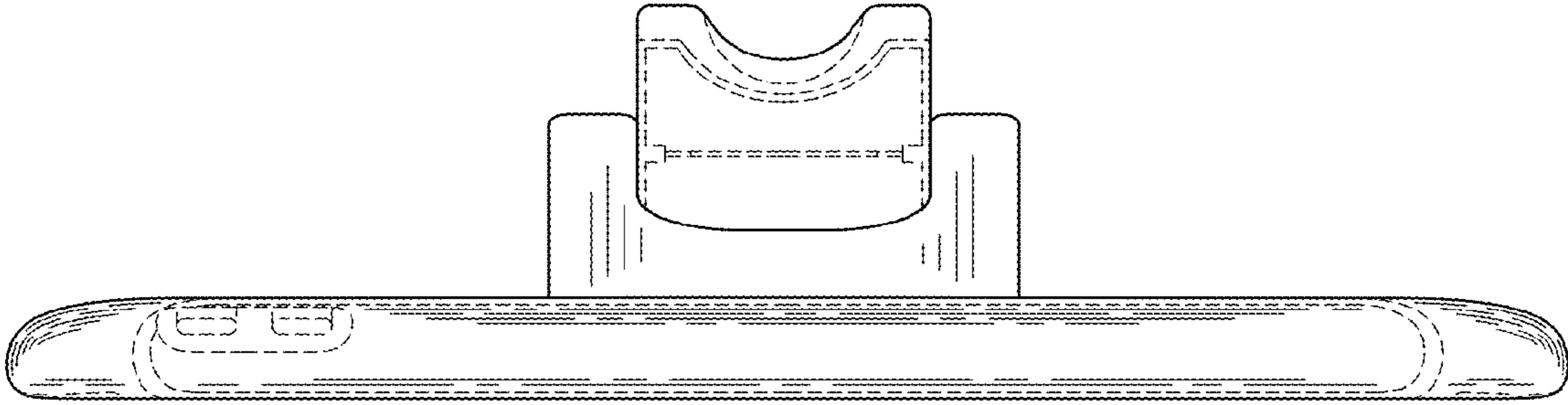


FIG. 9

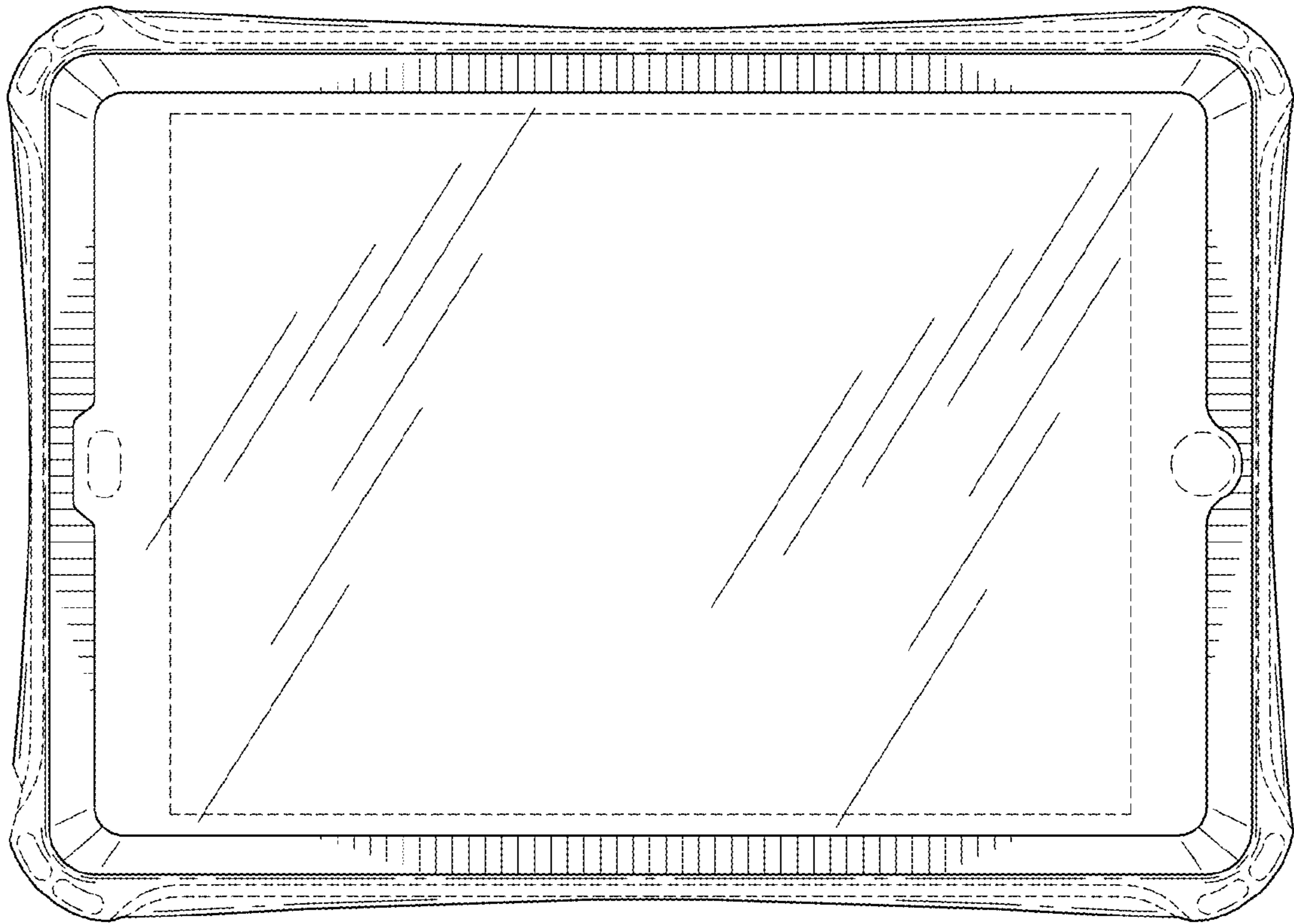


FIG. 10

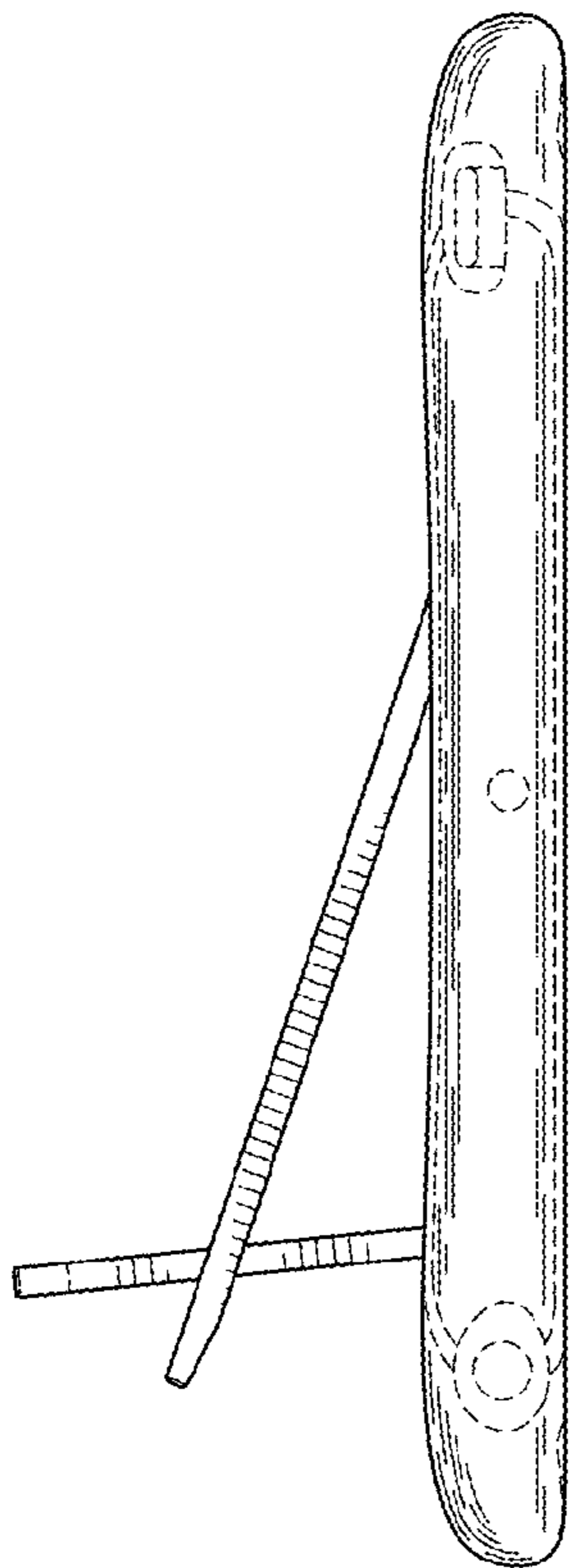
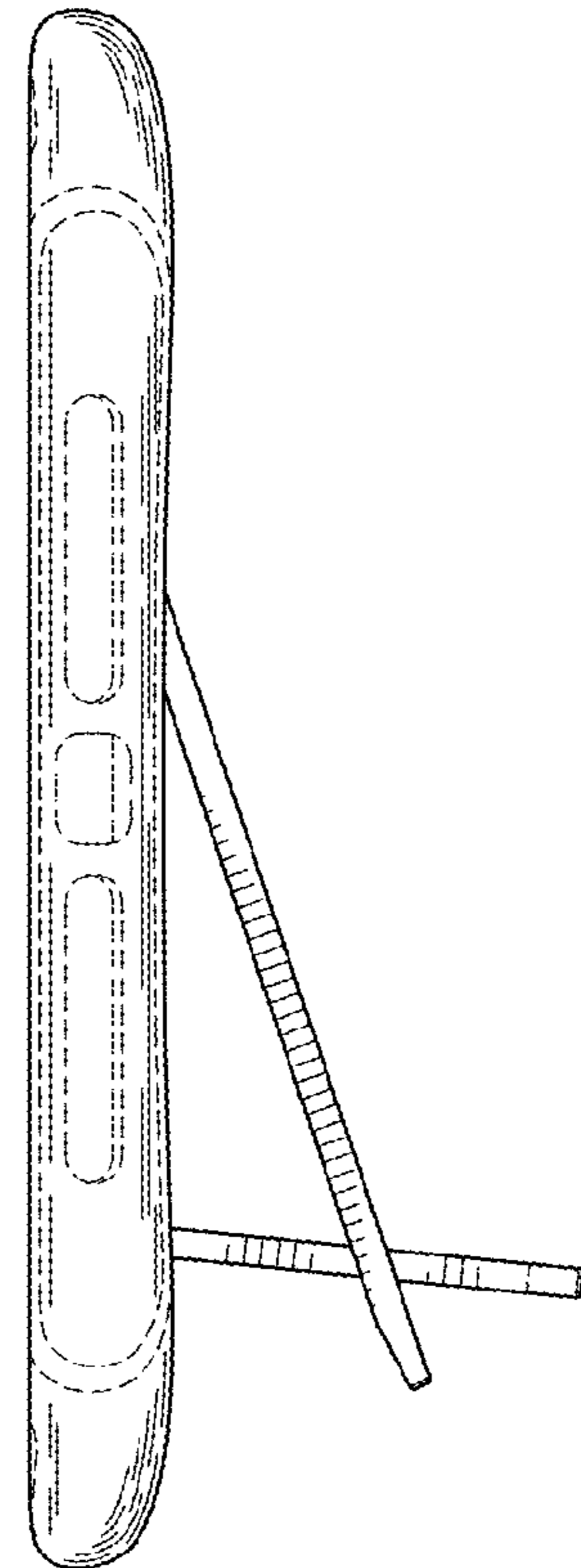


FIG. 11

FIG. 12



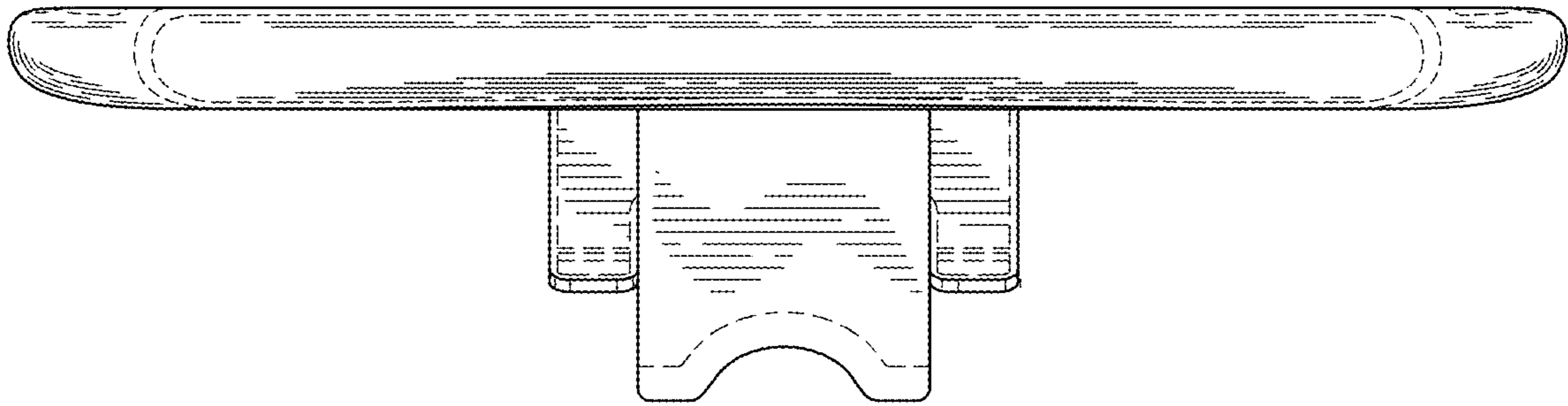


FIG. 13

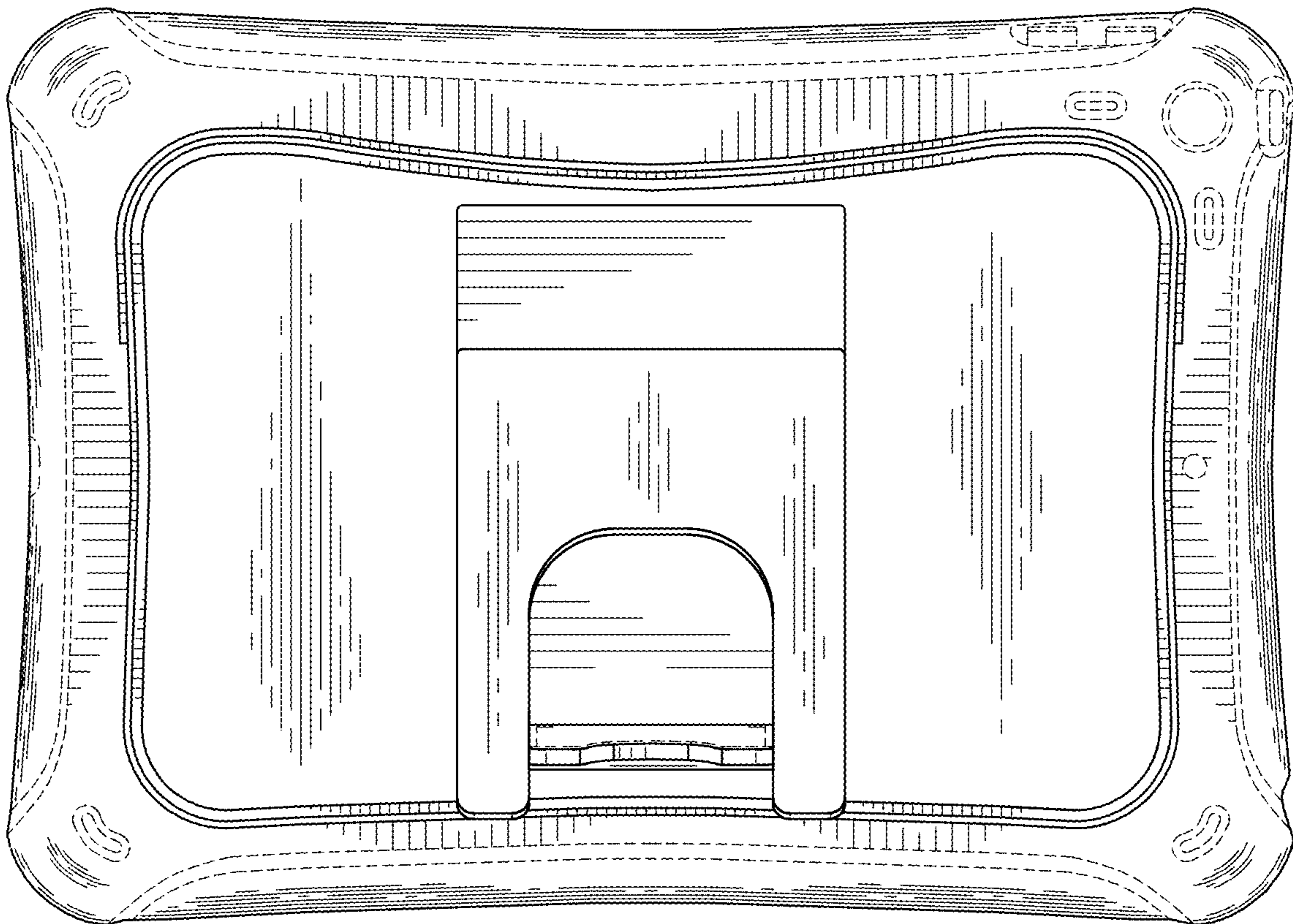


FIG. 14

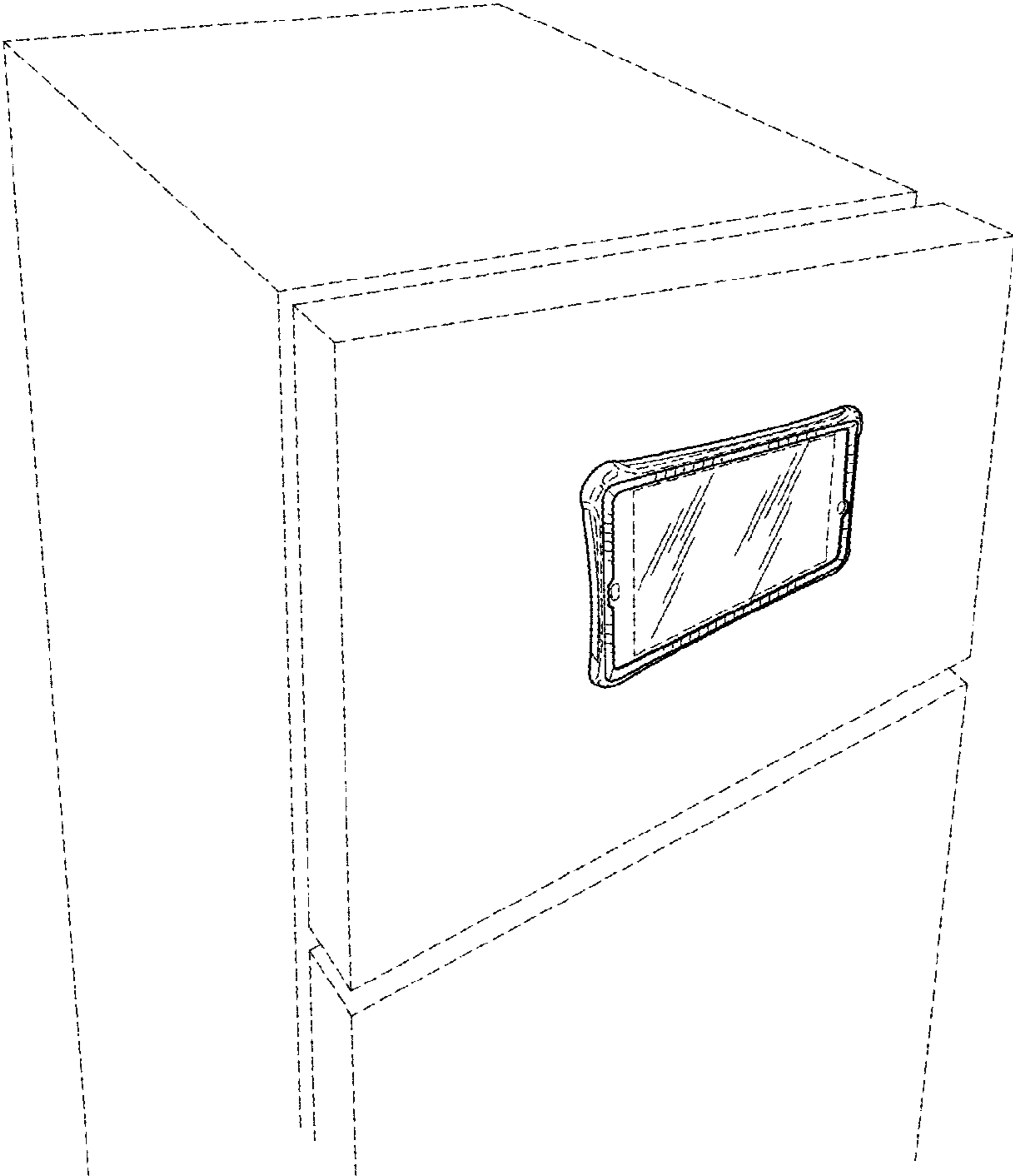


FIG. 15

FIG. 16

