



US00D936056S

(12) **United States Design Patent**  
**Turksu et al.**

(10) **Patent No.:** **US D936,056 S**

(45) **Date of Patent:** **\*\* Nov. 16, 2021**

(54) **COMPUTER MOUSE**

(71) Applicant: **SARIANA, LLC**, San Diego, CA (US)

(72) Inventors: **Alan Turksu**, San Diego, CA (US);  
**Mustafa Burak Guclu**, San Diego, CA (US)

(73) Assignee: **SARIANA, LLC**, San Diego, CA (US)

(\*\*) Term: **15 Years**

(21) Appl. No.: **29/748,007**

(22) Filed: **Aug. 26, 2020**

(51) **LOC (13) Cl.** ..... **14-02**

(52) **U.S. Cl.**  
USPC ..... **D14/409**

(58) **Field of Classification Search**  
USPC ..... D14/402-411, 356, 388, 389, 383-385,  
D14/417, 426; 345/156-167; 463/36-38;  
358/471, 473; 273/148 B  
CPC ..... G06F 3/03543; G06F 2203/0333; G06F  
3/039; G06F 3/038; G06F 2203/0384  
See application file for complete search history.

(56) **References Cited**

**U.S. PATENT DOCUMENTS**

D538,284 S \* 3/2007 Chatterjee ..... D14/402  
D539,800 S \* 4/2007 Chatterjee ..... D14/402

D574,379 S \* 8/2008 Manalo ..... D14/402  
D712,903 S \* 9/2014 Lai ..... D14/409  
D766,903 S \* 9/2016 Young ..... D14/402  
D829,717 S \* 10/2018 Lu ..... D14/409  
D868,785 S \* 12/2019 Liu ..... D14/409  
D920,977 S \* 6/2021 Chong ..... D14/409  
D926,761 S \* 8/2021 Xu ..... D14/402  
D926,762 S \* 8/2021 Chong ..... D14/409

\* cited by examiner

*Primary Examiner* — Austin Murphy

(74) *Attorney, Agent, or Firm* — Wagenknecht IP Law Group PC

(57) **CLAIM**

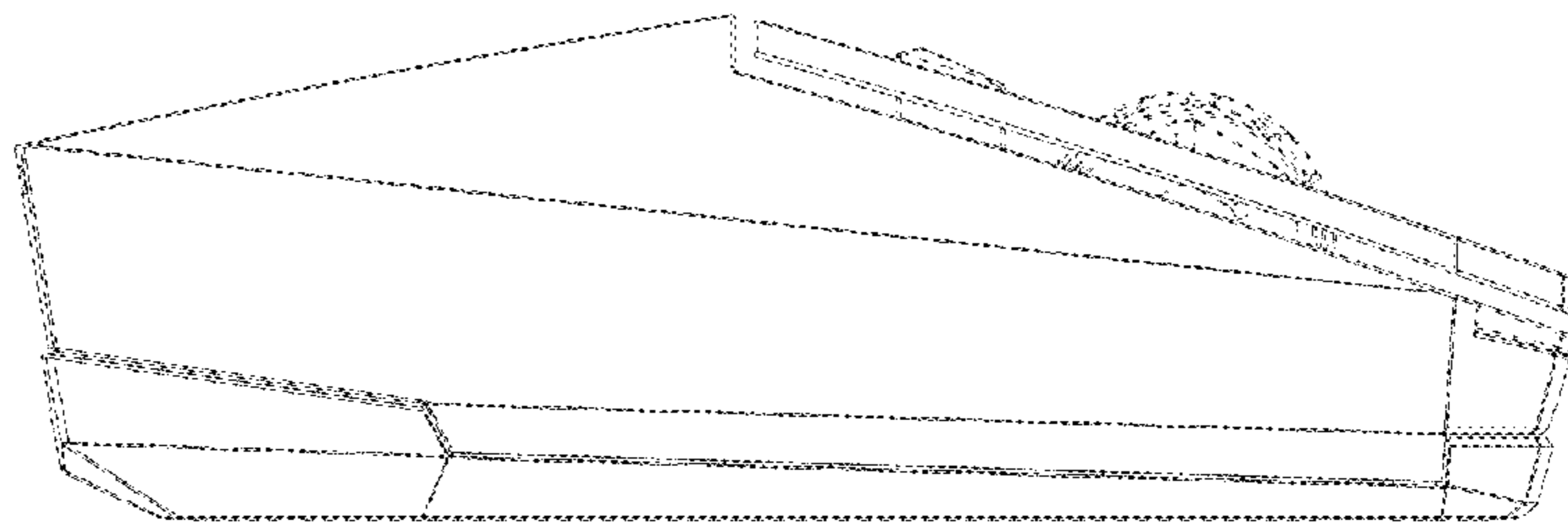
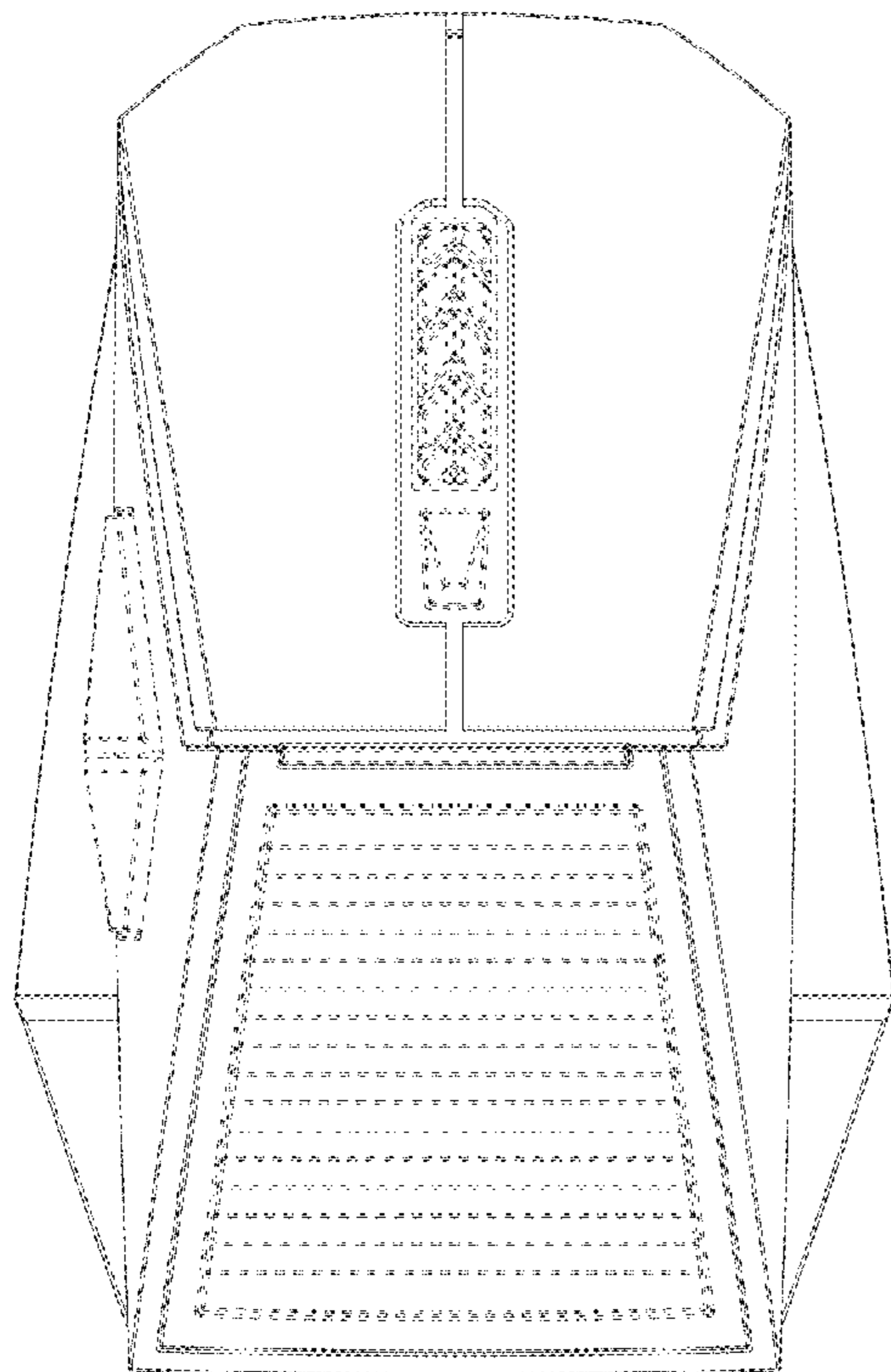
The ornamental design for a computer mouse, as shown and described.

**DESCRIPTION**

FIG. 1 is a front, top, and left side perspective view of a computer mouse showing our new design; FIG. 2 is a rear, top and right side perspective view thereof; FIG. 3 is a top plan view thereof; FIG. 4 is a bottom plan view thereof; FIG. 5 is a right side elevational view thereof; FIG. 6 is a left side elevational view thereof; FIG. 7 is a front elevational view thereof; and, FIG. 8 is a rear elevational view thereof.

The broken lines depict portions of the computer mouse that form no part of the claimed design.

**1 Claim, 6 Drawing Sheets**



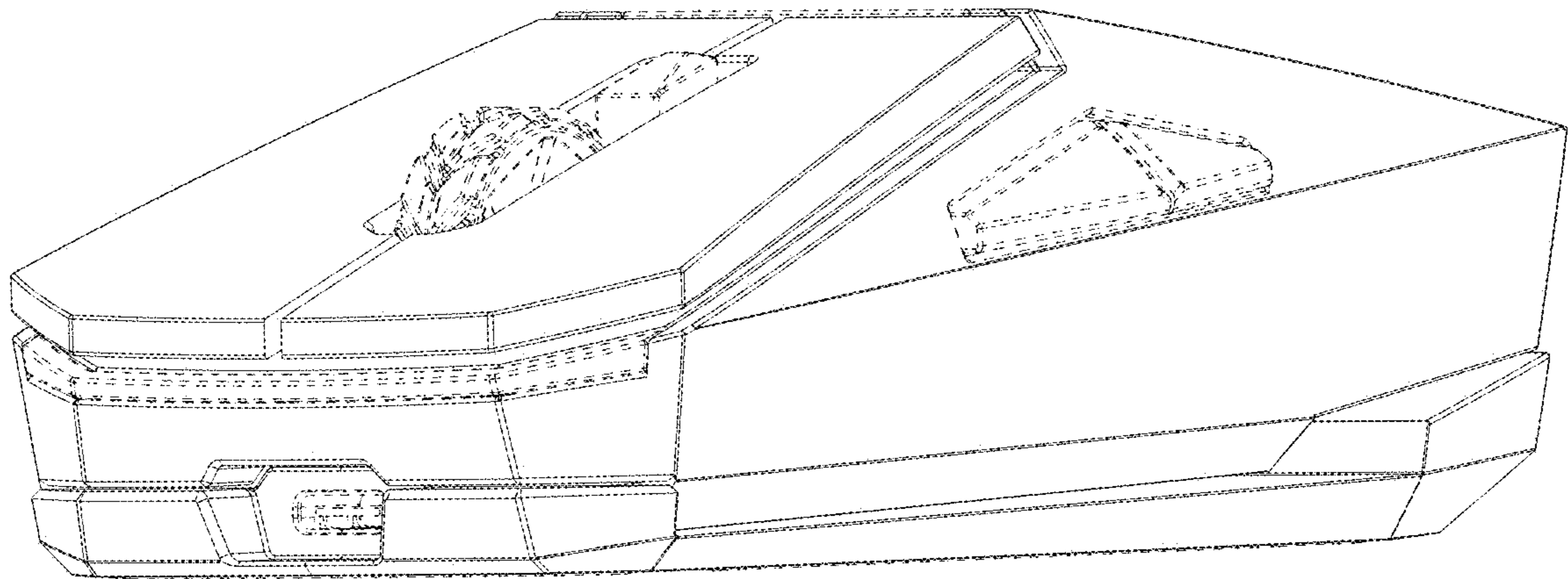


FIG. 1

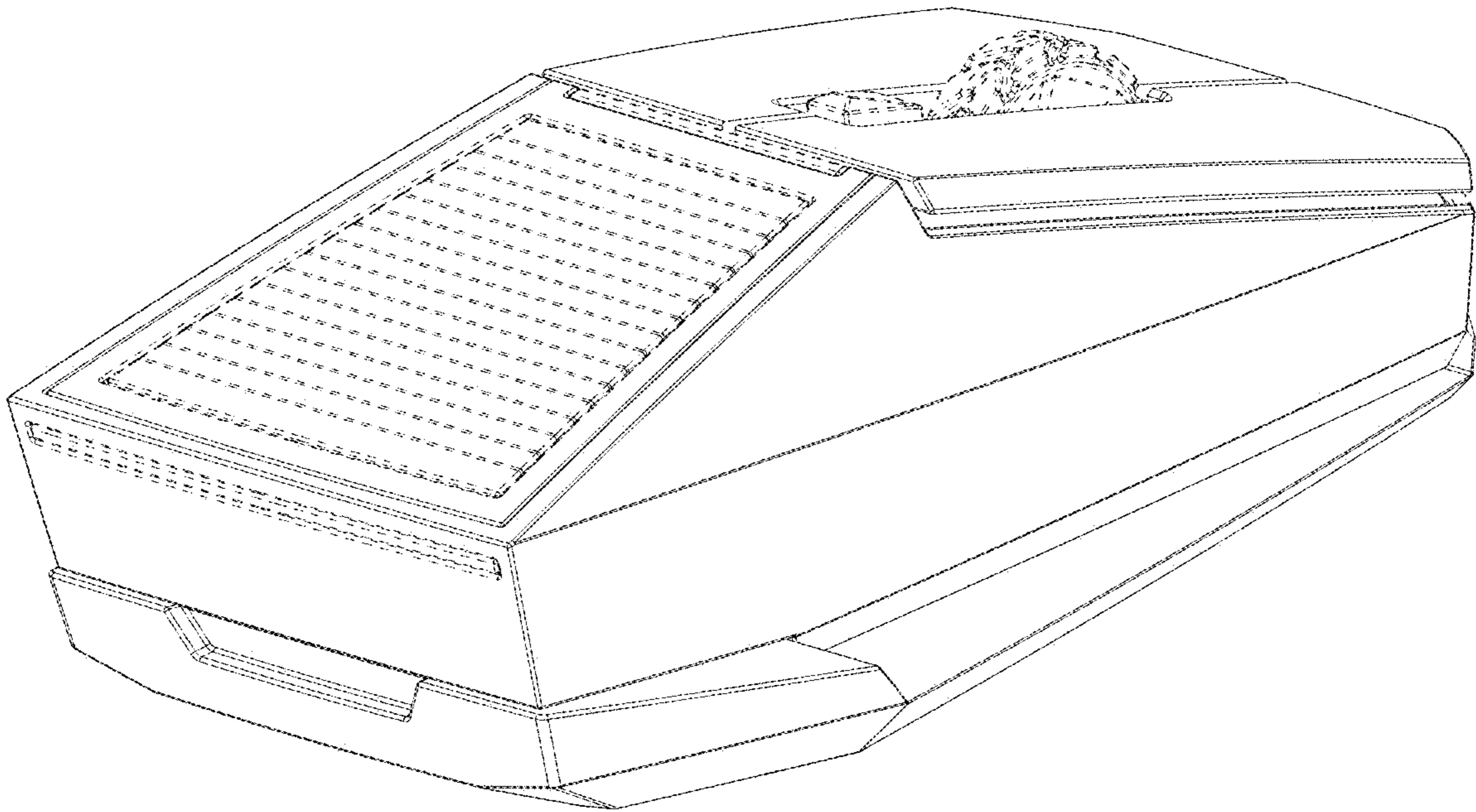


FIG. 2

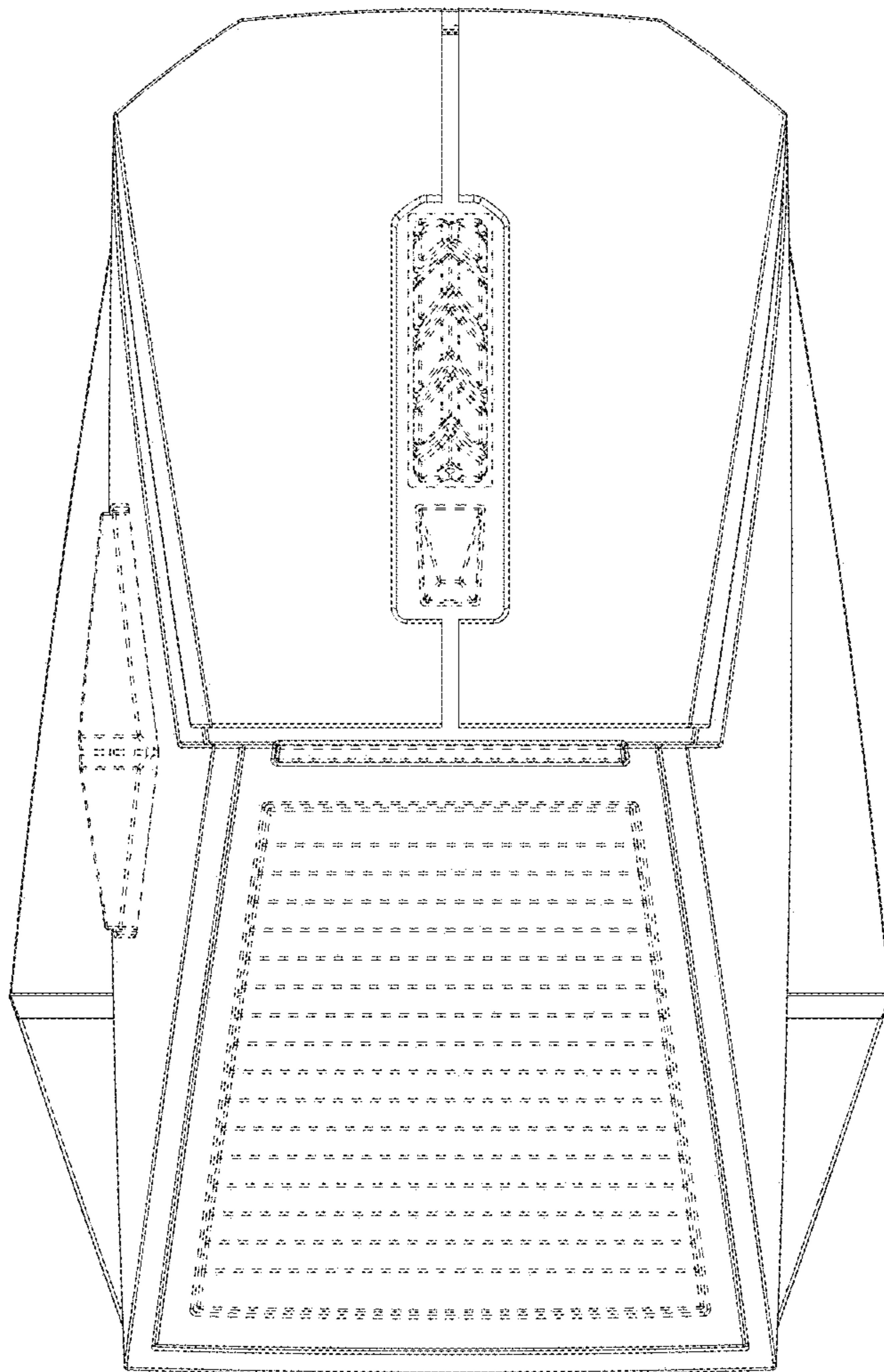


FIG. 3

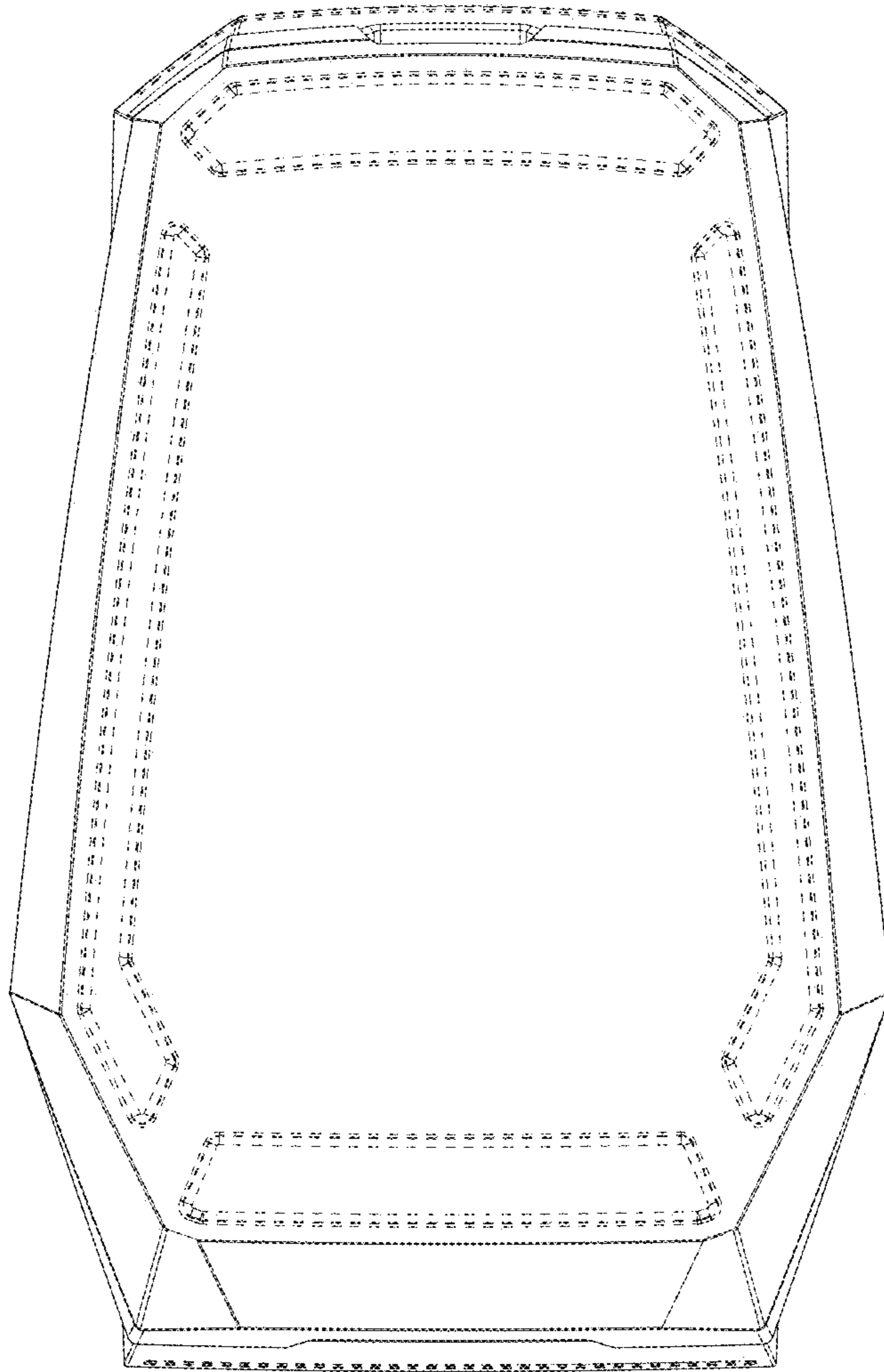


FIG. 4

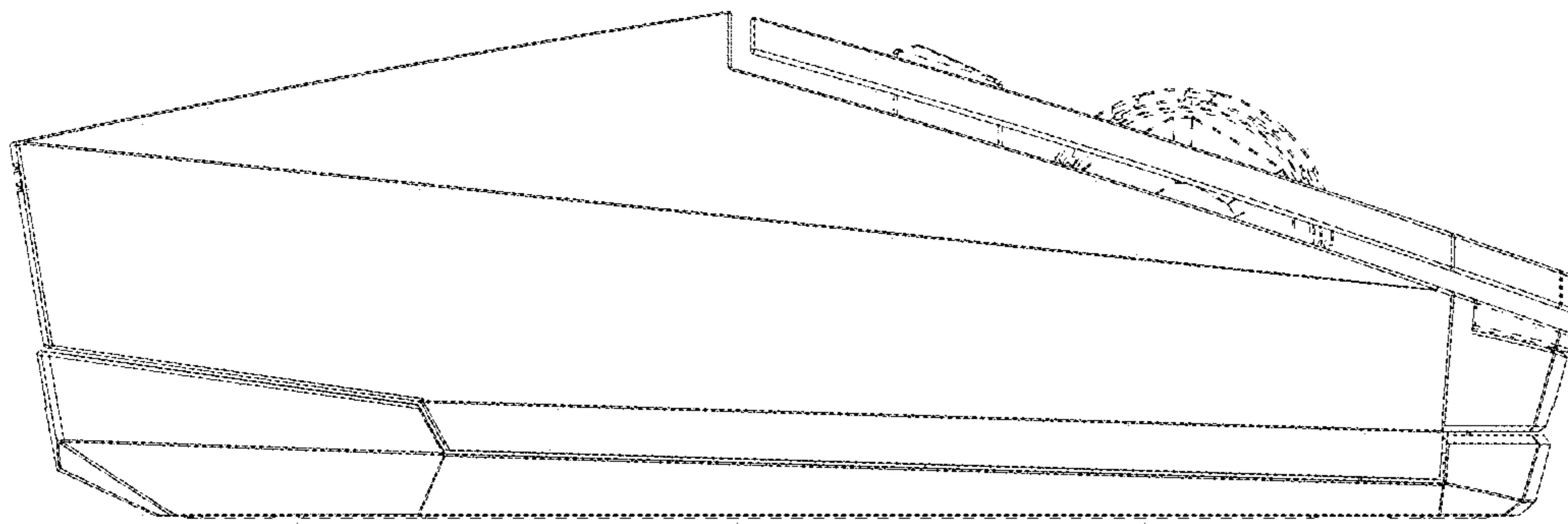


FIG. 5

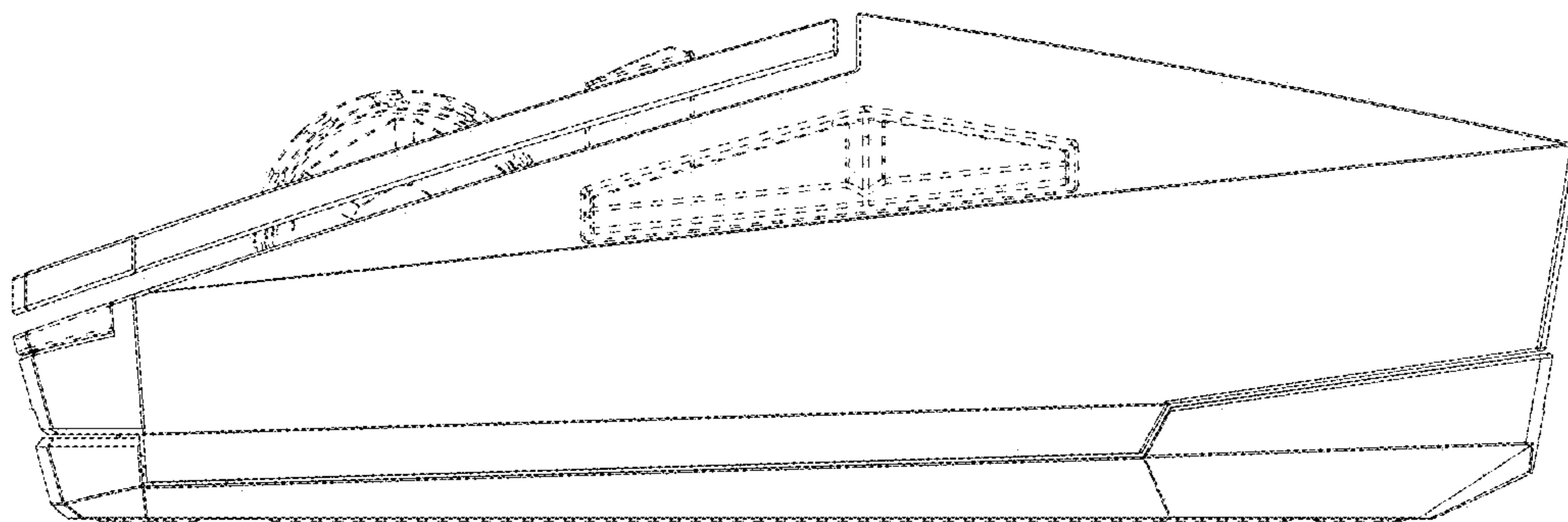


FIG. 6

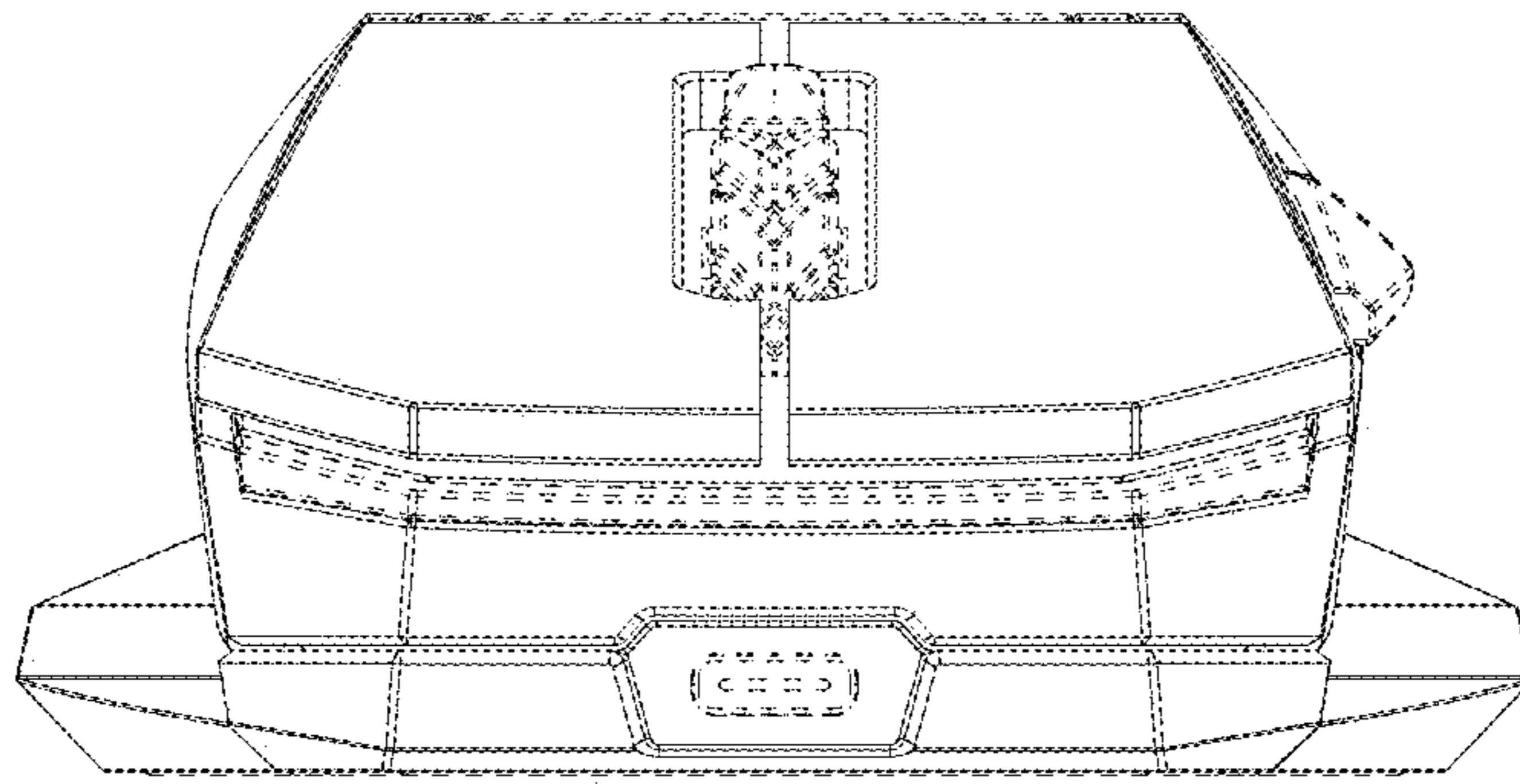


FIG. 7

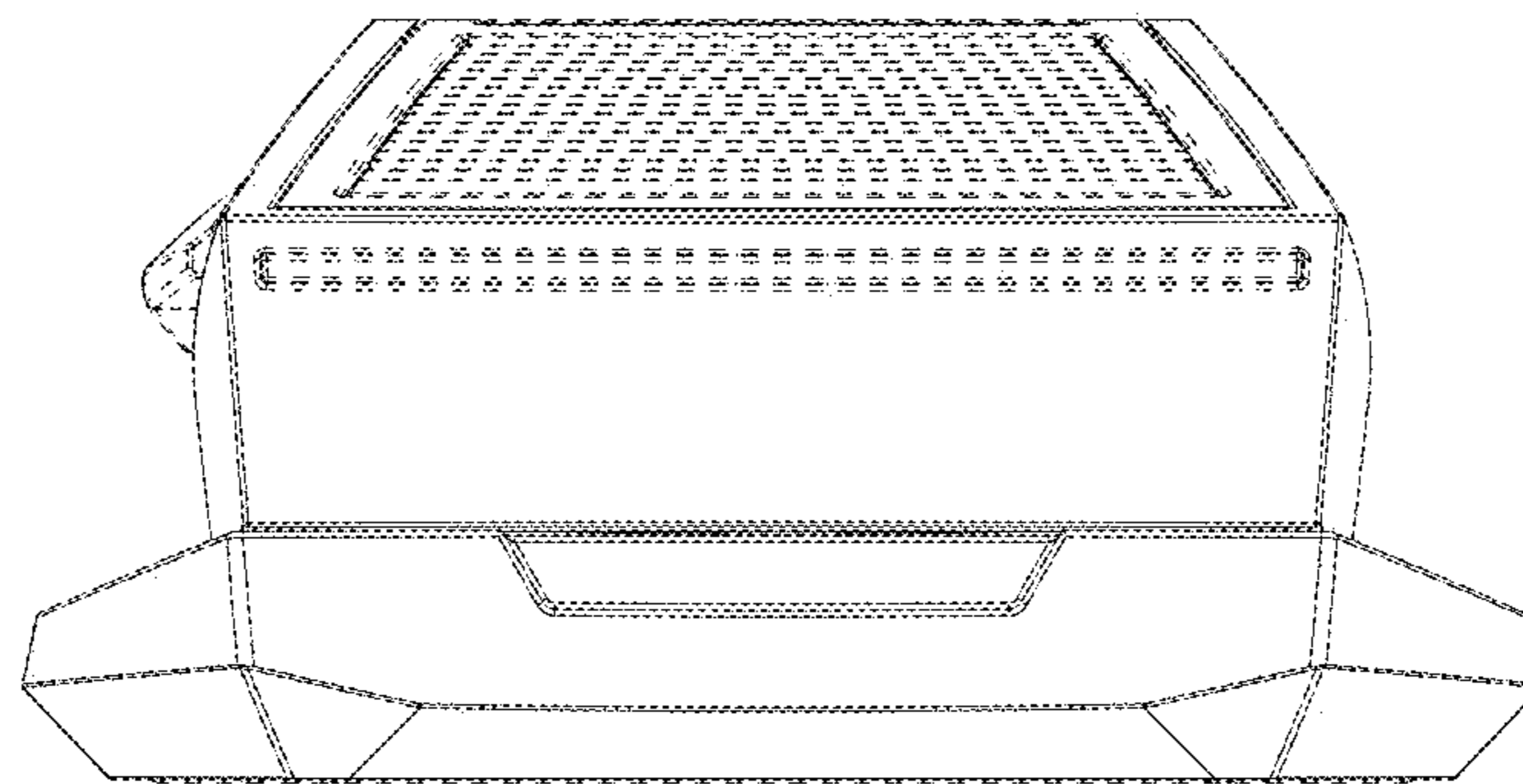


FIG. 8