



US00D936053S

(12) **United States Design Patent**
Chen

(10) **Patent No.:** **US D936,053 S**

(45) **Date of Patent:** **** Nov. 16, 2021**

(54) **DISPLAY MOUNT**

(71) Applicant: **Shenzhen Prime Technology Co., Ltd,**
Shenzhen (CN)

(72) Inventor: **Huasheng Chen,** Shenzhen (CN)

(**) Term: **15 Years**

(21) Appl. No.: **29/750,972**

(22) Filed: **Sep. 17, 2020**

(51) **LOC (13) Cl.** **14-02**

(52) **U.S. Cl.**

USPC **D14/375**

(58) **Field of Classification Search**

USPC ... D14/203.8, 214, 224, 229, 238, 253, 316,
D14/324, 372, 374-377, 388-389, 434,
D14/447, 452, 238.1; D20/10, 15, 40,
D20/42-44; D8/306, 363, 380-382, 354;
248/121, 122.1, 127, 346.05, 676

CPC A47G 1/141; A47G 1/0605; A47G 1/142;
G09F 1/12; G06Q 20/202

See application file for complete search history.

(56) **References Cited**

U.S. PATENT DOCUMENTS

D483,246 S * 12/2003 McPherson D8/354
D538,632 S 3/2007 Ly Hau et al.
D561,562 S 2/2008 Wohlford et al.
7,369,401 B1 * 5/2008 Floersch F16M 11/08
292/301
D621,842 S * 8/2010 Sapper D14/452
D629,808 S * 12/2010 Sapper D14/452
D649,552 S * 11/2011 Huang F16M 11/24
D14/452
D652,423 S * 1/2012 Sapper D14/452
D660,308 S * 5/2012 Huang D14/452
8,534,615 B2 * 9/2013 Huang F16M 11/24
248/125.1
9,400,083 B2 * 7/2016 Sapper F16M 13/022
D787,237 S * 5/2017 Bowman D6/656.15

10,066,785 B1 * 9/2018 Chen F16M 11/2014
D852,805 S * 7/2019 Lyu D14/452
D858,472 S * 9/2019 Lee D14/126
D871,113 S * 12/2019 Lucas D6/656.15
D872,067 S * 1/2020 Knapp D14/239

(Continued)

FOREIGN PATENT DOCUMENTS

CA 184596 * 11/2019
CA 185516 * 12/2019

(Continued)

OTHER PUBLICATIONS

Desk Mount Dual Monitor Arm, StarTech, amazon.com, published by StarTech on Dec. 4, 2019 © 1996-2020 Amazon.com, Inc., online, site visited Nov. 16, 2020. Available from Internet, URL: <https://www.amazon.com/StarTech-com-Desk-Mount-Dual-Monitor/dp/B082986GRX> (Year: 2019).*

Primary Examiner — Sandra Snapp

Assistant Examiner — Altaira J Swangin

(74) *Attorney, Agent, or Firm* — W&K IP

(57) **CLAIM**

The ornamental design for a display mount, as shown and described.

DESCRIPTION

FIG. 1 is a perspective view of a display mount showing my new design;

FIG. 2 is a front view thereof;

FIG. 3 is a rear view thereof;

FIG. 4 is a left side view thereof;

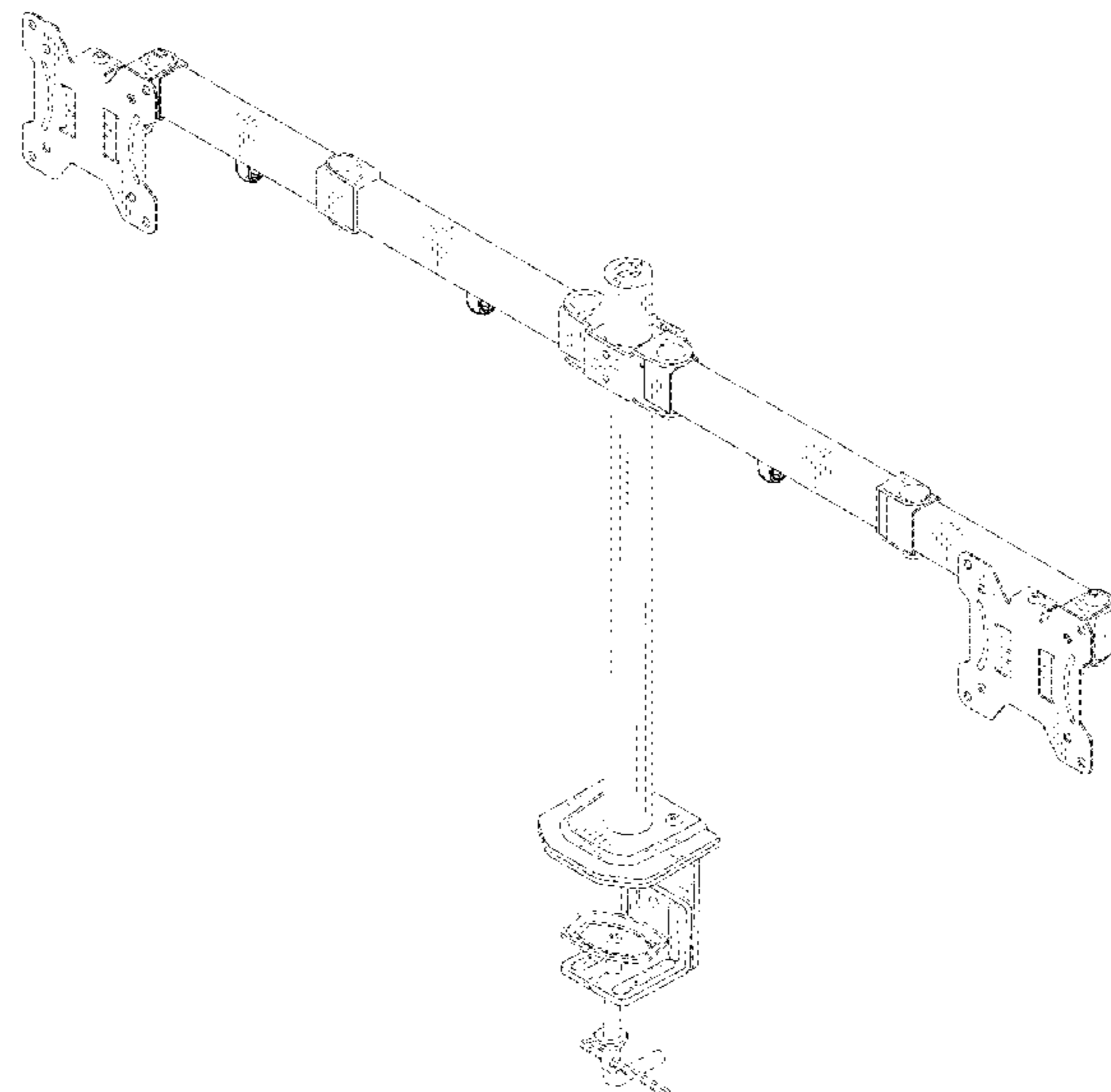
FIG. 5 is a right side view thereof;

FIG. 6 is a top plan view thereof; and,

FIG. 7 is a bottom plan view thereof.

The evenly-broken lines where present illustrate portions of the display mount that form no part of the claimed design.

1 Claim, 7 Drawing Sheets



(56)

References Cited

U.S. PATENT DOCUMENTS

D872,719 S * 1/2020 Knapp D14/239
 D894,197 S * 8/2020 Knapp D14/452
 10,753,531 B2 * 8/2020 Huang F16M 11/16
 10,760,727 B2 * 9/2020 Huang F16M 11/04
 D901,514 S * 11/2020 Knapp D14/452
 10,822,045 B1 * 11/2020 Shen B62H 3/02
 D905,700 S * 12/2020 Lu D14/452
 D918,218 S * 5/2021 Lyu D14/452
 D919,631 S * 5/2021 Shu D14/452
 D920,340 S * 5/2021 Shu D14/452
 D920,988 S * 6/2021 Shu D14/452
 D921,645 S * 6/2021 Shu D14/452
 D922,361 S * 6/2021 Jin D14/224
 D922,394 S * 6/2021 Lu D14/452
 D922,395 S * 6/2021 Shu D14/452
 D923,018 S * 6/2021 Lu D14/452
 2007/0205340 A1 * 9/2007 Jung F16M 11/105
 248/125.9

2008/0011918 A1 * 1/2008 Bruce B65G 49/061
 248/205.9
 2009/0134285 A1 * 5/2009 Huang F16M 11/2014
 248/124.1
 2015/0159804 A1 * 6/2015 Bowman F16M 11/045
 248/122.1
 2019/0353297 A1 * 11/2019 Huang F16M 11/08
 2019/0374025 A1 * 12/2019 Bowman F16M 11/2092
 2020/0170404 A1 * 6/2020 Knapp F16M 11/08
 2020/0170406 A1 * 6/2020 Knapp F16M 11/26
 2020/0170407 A1 * 6/2020 Knapp A47B 9/20

FOREIGN PATENT DOCUMENTS

EM 008171557-0013 * 9/2020
 EM 008171557-0015 * 9/2020
 KR 300526638.0000 * 4/2009
 KR 300623341.0000 * 12/2011

* cited by examiner

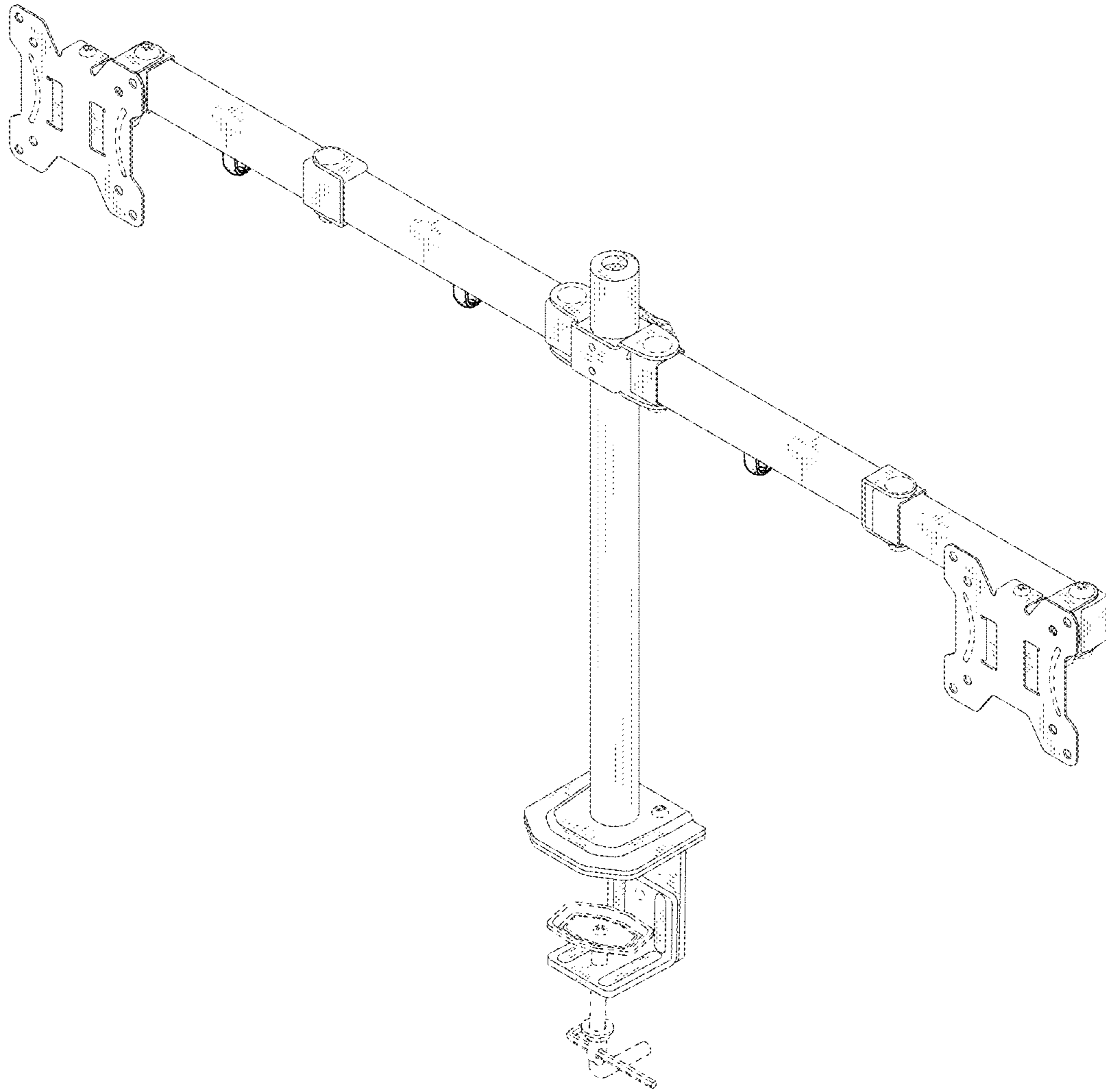


FIG.1

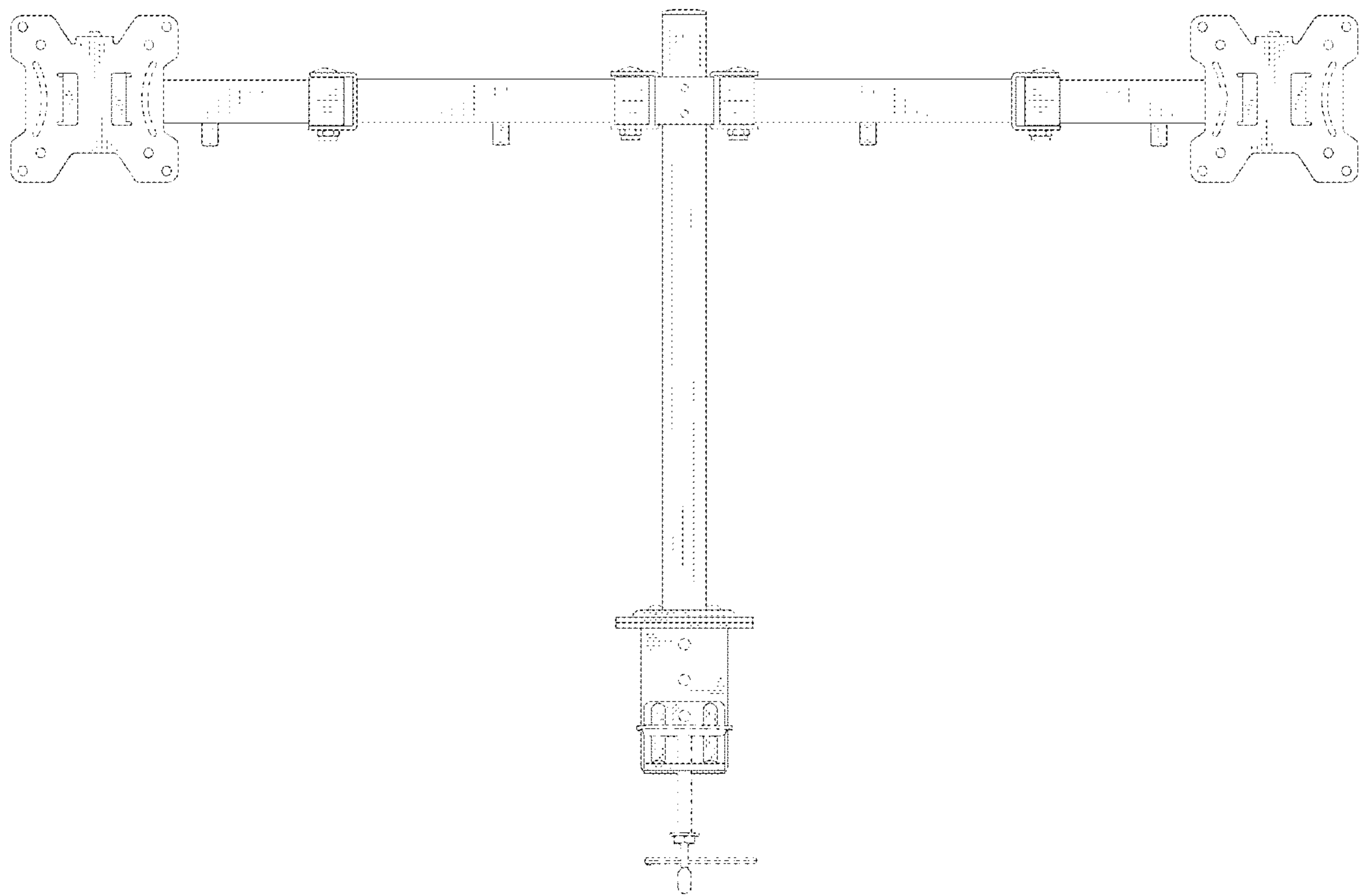


FIG. 2

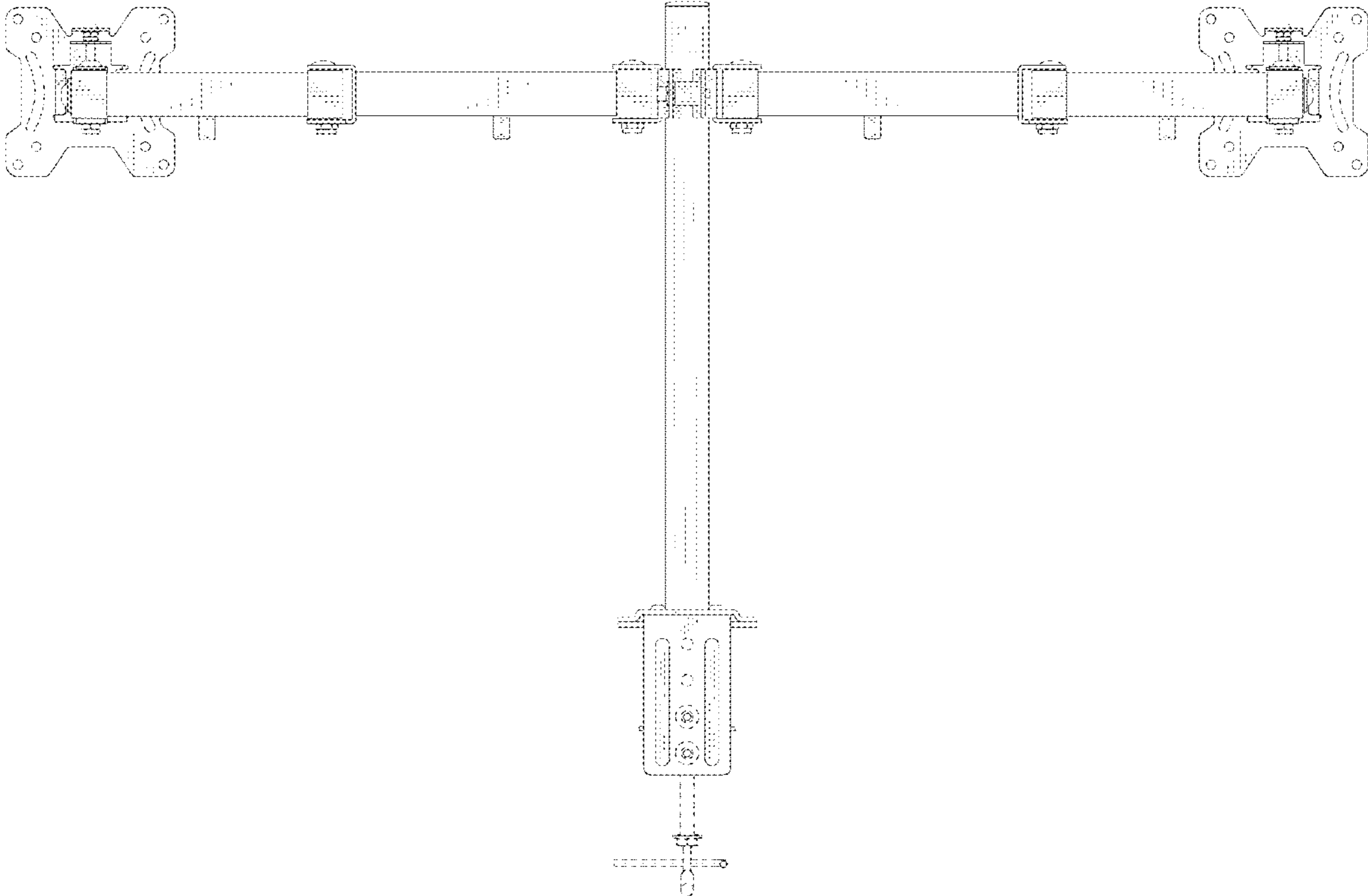


FIG. 3

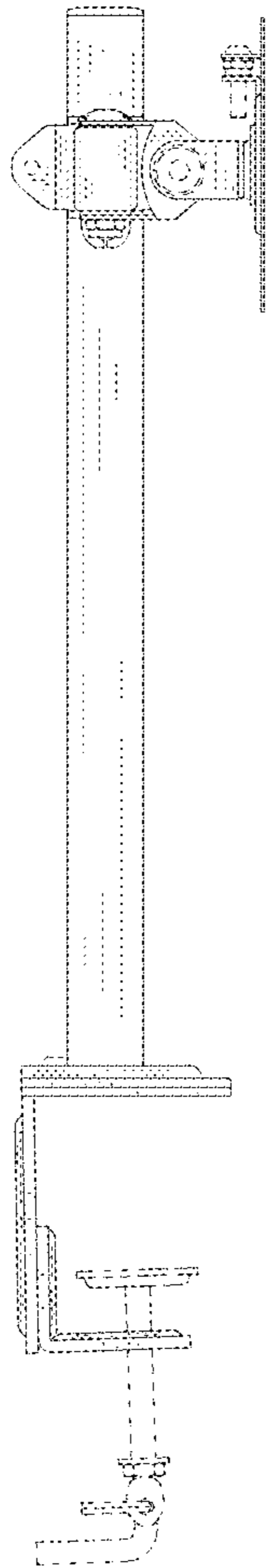


FIG. 4

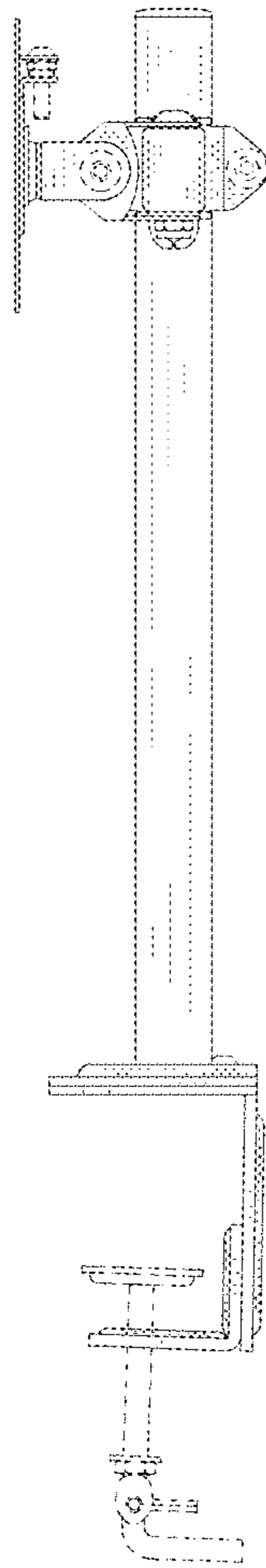


FIG. 5

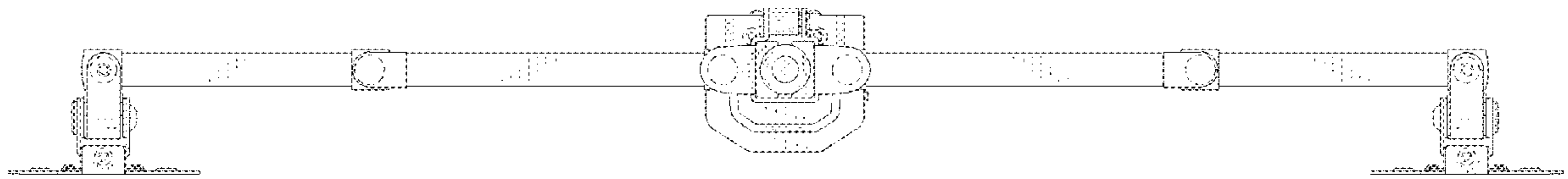


FIG. 6

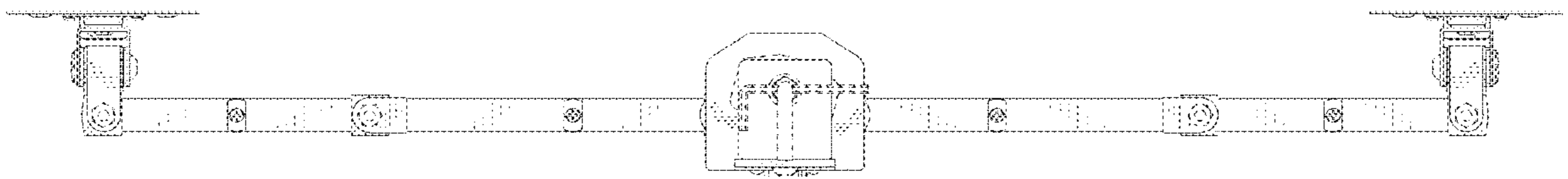


FIG. 7