



US00D936051S

(12) **United States Design Patent** (10) **Patent No.:** **US D936,051 S**
Yamamoto et al. (45) **Date of Patent:** **** Nov. 16, 2021**

(54) **WEARABLE INFORMATION TERMINAL**

(56) **References Cited**

(71) Applicant: **CASIO KEISANKI KABUSHIKI KAISHA**, Tokyo (JP)

U.S. PATENT DOCUMENTS

(72) Inventors: **Keishiro Yamamoto**, Tokyo (JP);
Ichiro Hashimoto, Kanagawa (JP)

D415,968 S *	11/1999	Matsuda	D10/30
D429,467 S *	8/2000	Kojima	D10/30
D525,882 S *	8/2006	Yamamoto	D10/38
D595,157 S *	6/2009	Chen	D10/38
D598,788 S *	8/2009	Cole	D10/32
D619,909 S *	7/2010	Moriai	D10/39
D742,763 S *	11/2015	Hashimoto	D10/30
D776,550 S *	1/2017	Nakai	D10/39
D848,287 S *	5/2019	Nakai	D10/38
D856,162 S *	8/2019	Nakai	D10/38
10,627,781 B2 *	4/2020	Ichimura	G04C 3/001
10,739,732 B2 *	8/2020	Tasaka	G04R 20/04
D899,272 S *	10/2020	Hashimoto	D10/30

(73) Assignee: **CASIO KEISANKI KABUSHIKI KAISHA**, Tokyo (JP)

(**) Term: **15 Years**

(21) Appl. No.: **29/713,061**

(22) Filed: **Nov. 13, 2019**

(30) **Foreign Application Priority Data**

May 17, 2019 (CN) 201930242555.0

(51) **LOC (13) Cl.** **14-02**

(52) **U.S. Cl.**
USPC **D14/344**; D10/38

(58) **Field of Classification Search**
USPC D10/30-39, 65, 70, 97-98, 121-132;
D14/344; D11/3, 5, 12; D24/167, 186
CPC G04B 19/00; G04B 19/125; G04B 19/04;
G04B 19/048; G04B 19/065; G04B
19/08; G04B 19/10; G04B 19/103; G04B
19/106; G04B 19/12; G04B 19/18; G04B
19/22; G04B 19/223; G04B 19/24; G04B
19/243; G04B 19/28; G04B 19/283;
G04B 37/00; G04B 37/0008; G04B
37/0058; G04B 45/00; G04B 45/0069;
G04B 45/0076; G04B 47/06; G04B
47/063; A44C 5/00; A44C 5/02; A44C
5/027; A44C 5/04; A44C 5/08; A44C
5/10; A44C 5/102; A44C 5/105; A44C
5/107; G04G 19/06

See application file for complete search history.

* cited by examiner

Primary Examiner — Katherine Glennon

(74) *Attorney, Agent, or Firm* — Holtz, Holtz & Volek PC

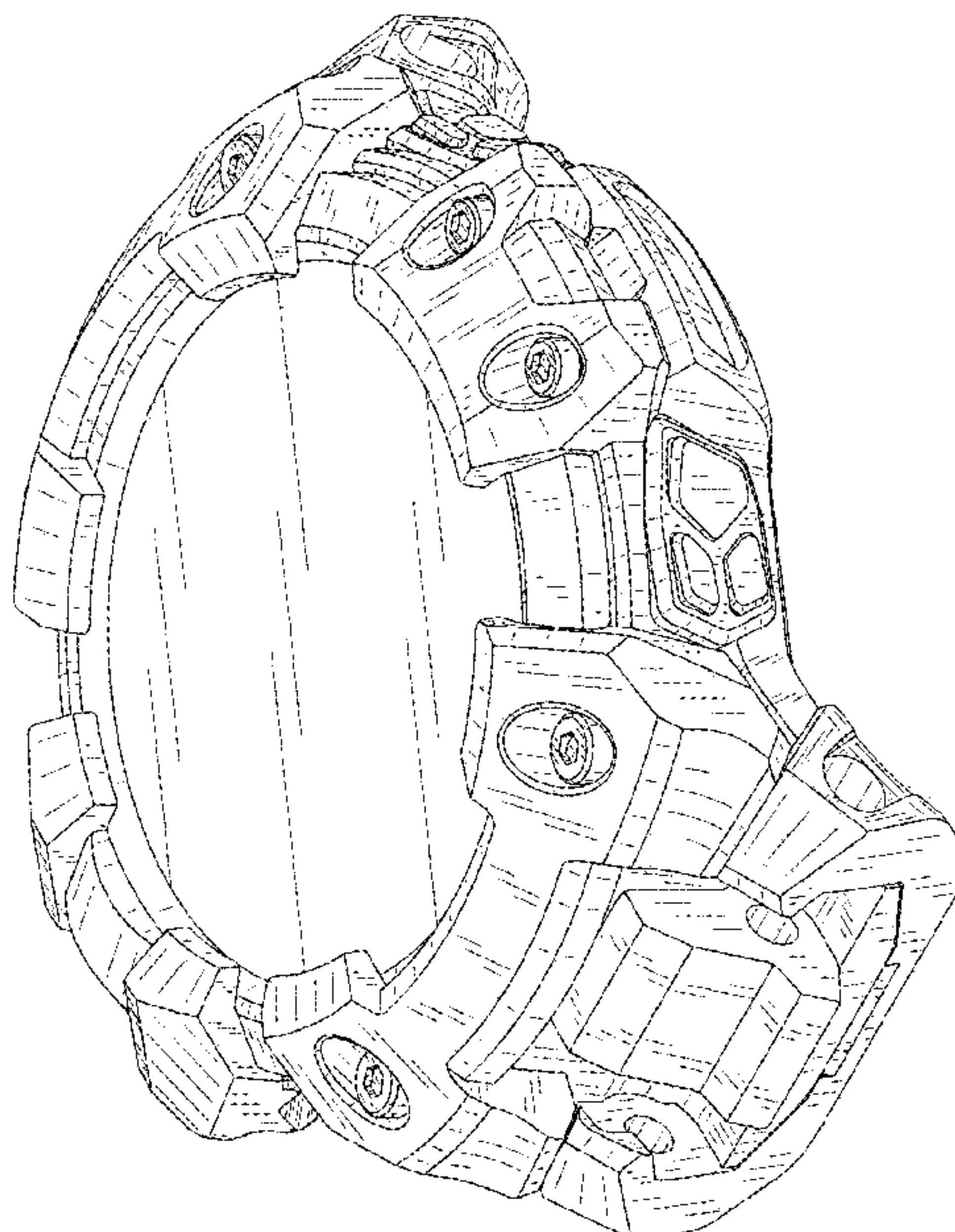
(57) **CLAIM**

The ornamental design for a wearable information terminal, as shown and described.

DESCRIPTION

FIG.1 is a front, right side, bottom perspective view of a wearable information terminal showing our new design;
FIG. 2 is a front elevational view thereof;
FIG. 3 is a rear elevational view thereof;
FIG. 4 is a left side view thereof;
FIG. 5 is a right side view thereof;
FIG. 6 is a top plan view thereof; and,
FIG. 7 is a bottom plan view thereof.
The broken lines in the drawings illustrate portions of the wearable information terminal that form no part of the claimed design.

1 Claim, 6 Drawing Sheets



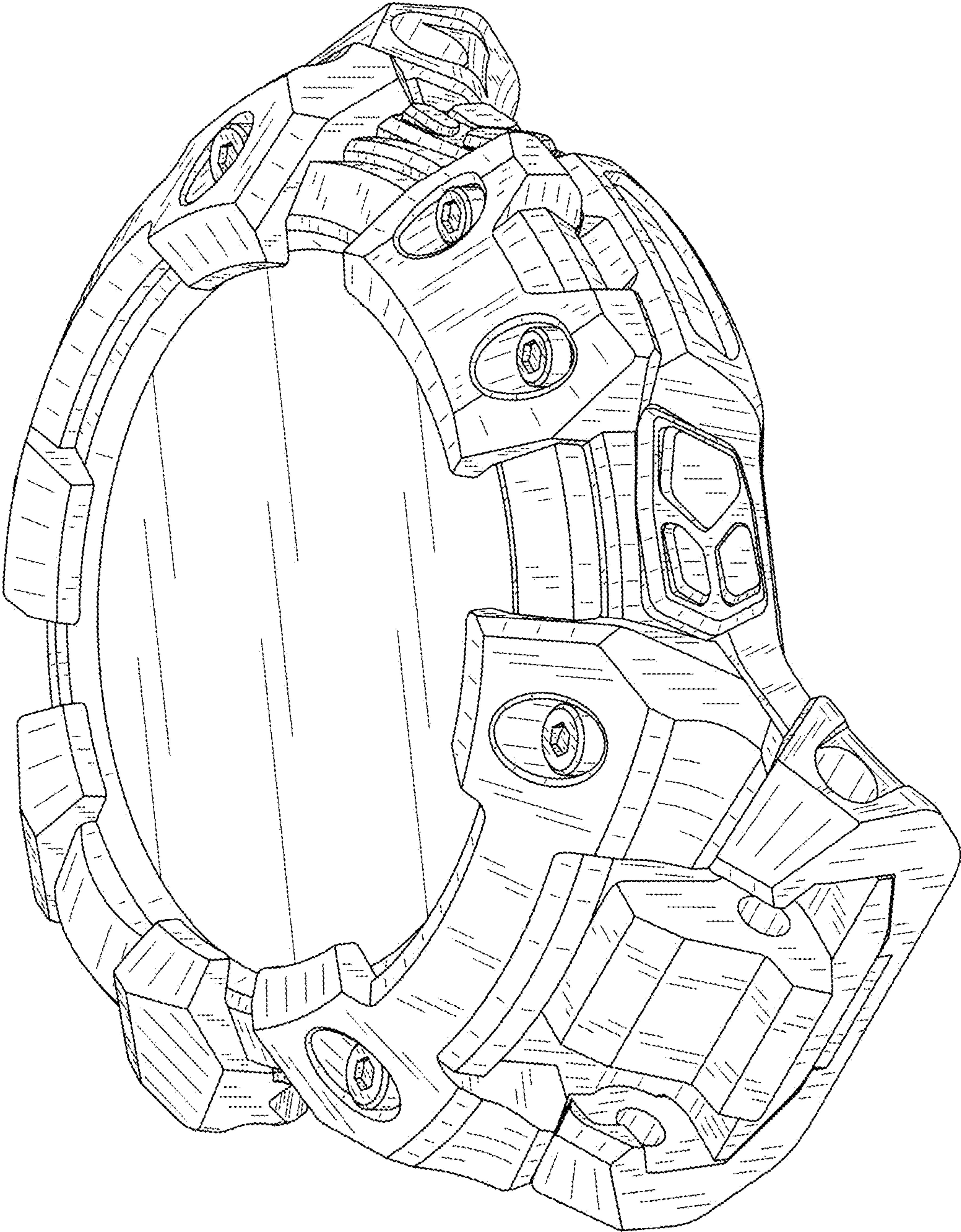


FIG. 1

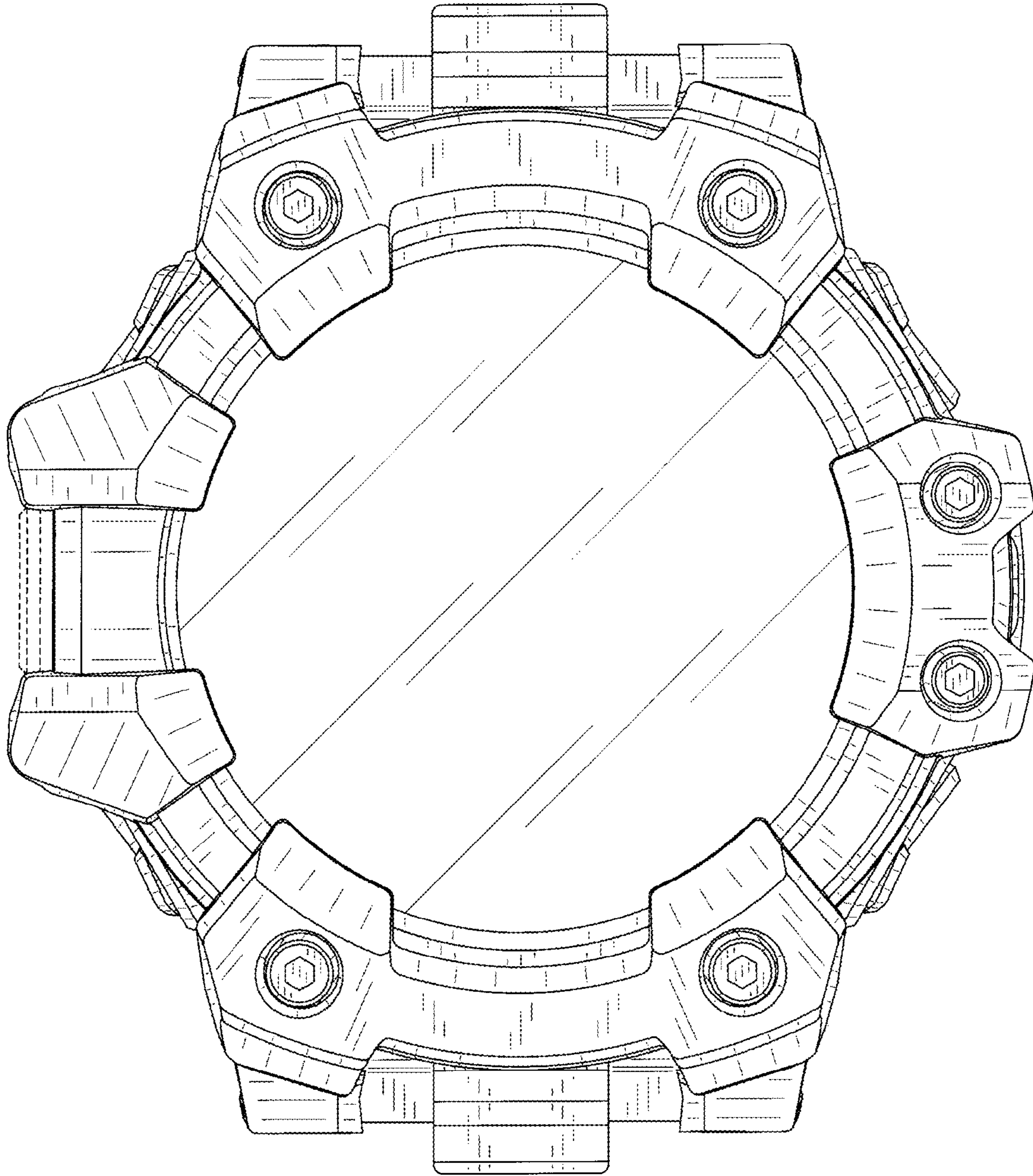


FIG. 2

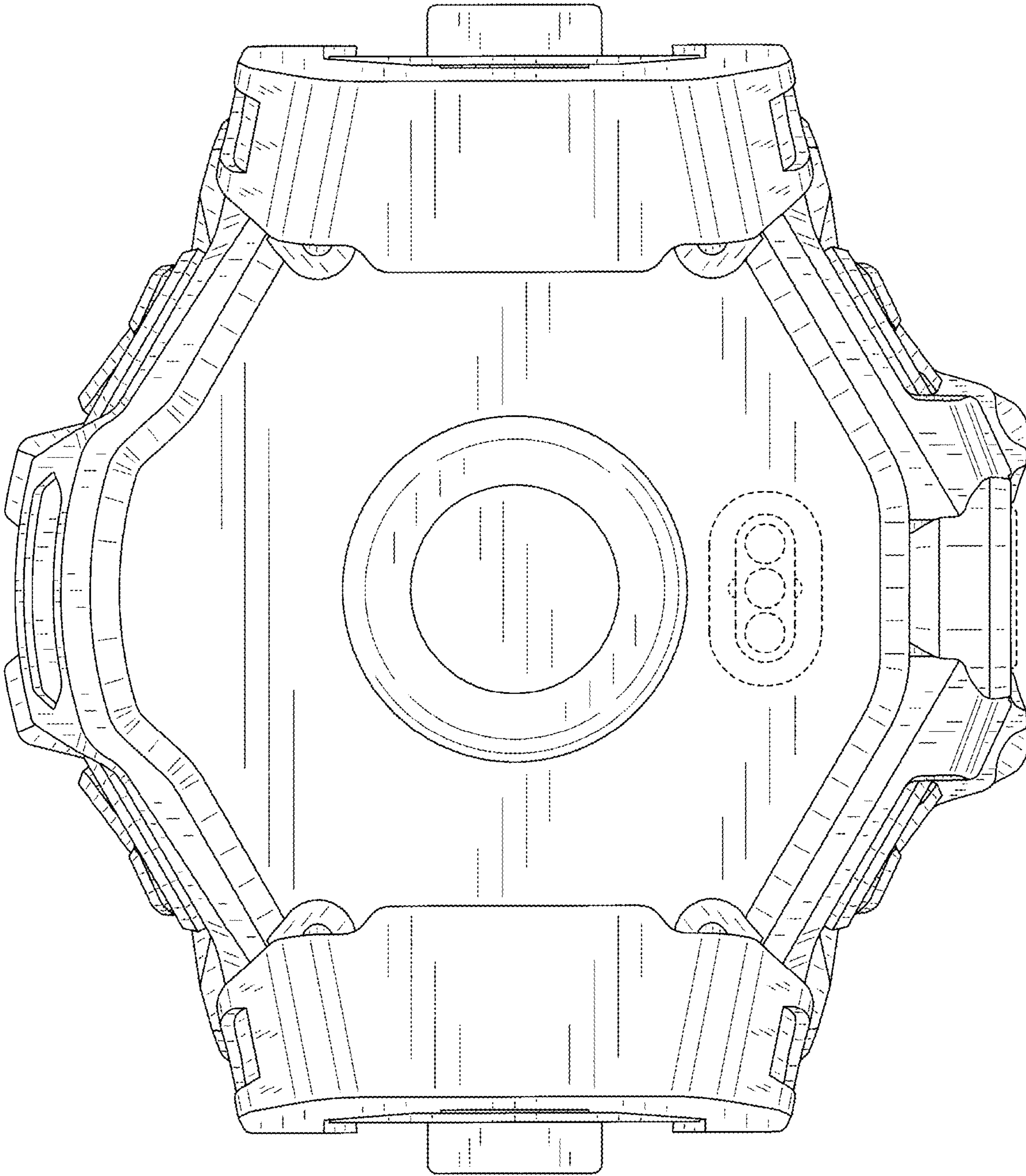


FIG. 3

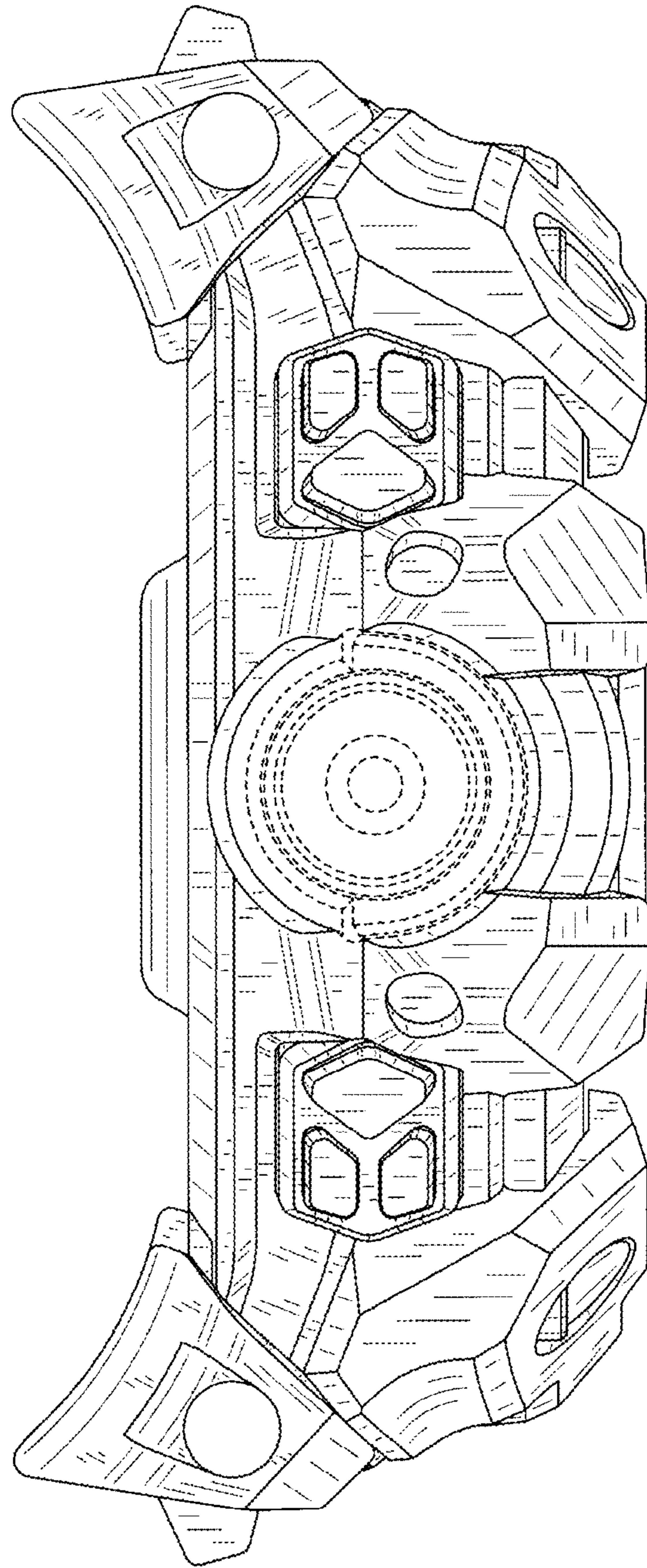


FIG. 4

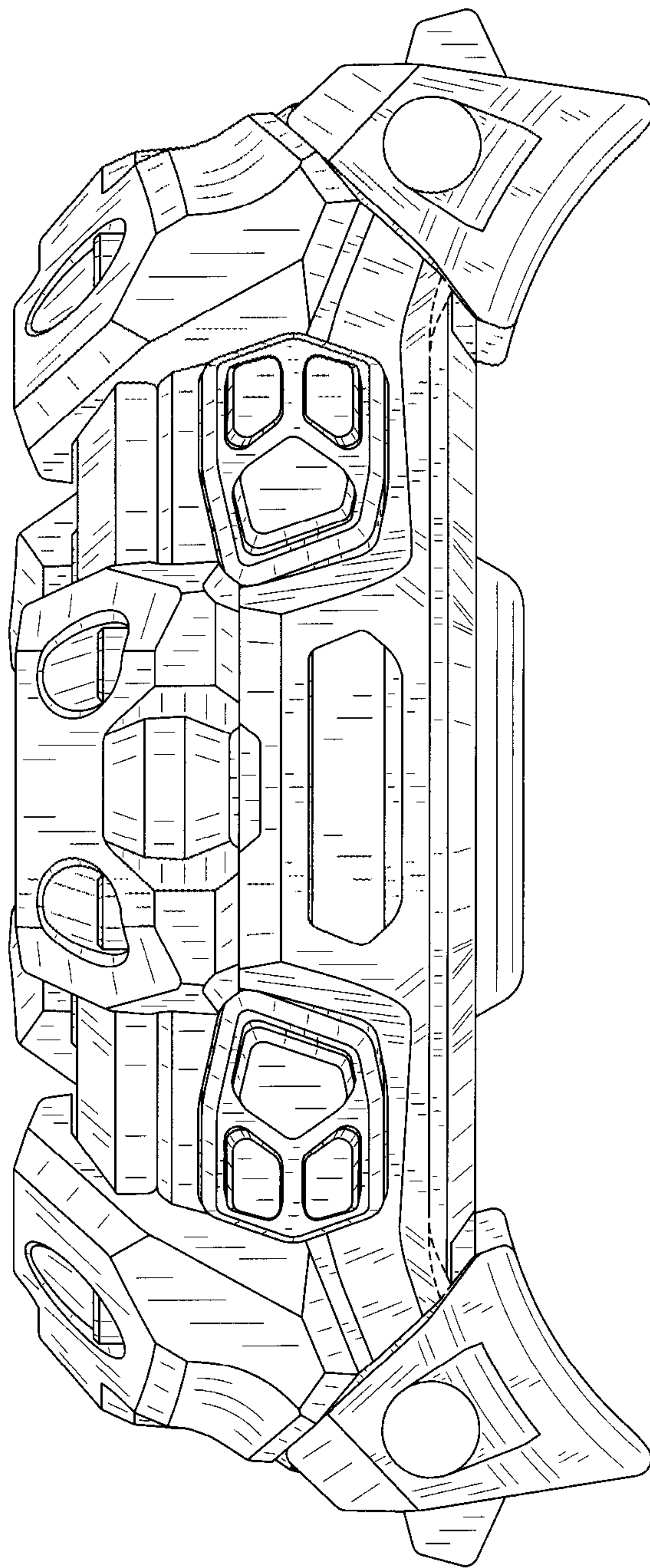


FIG. 5

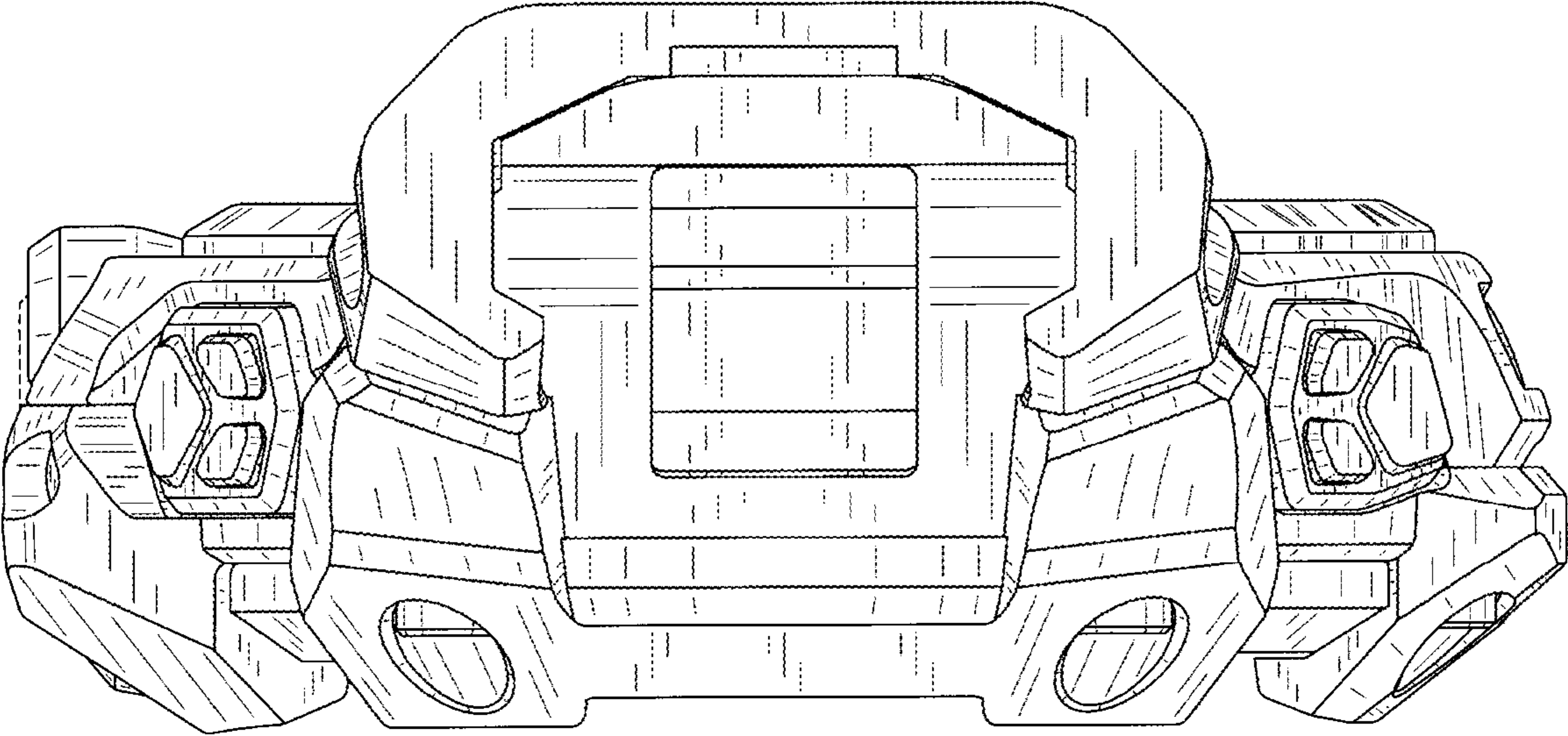


FIG. 6

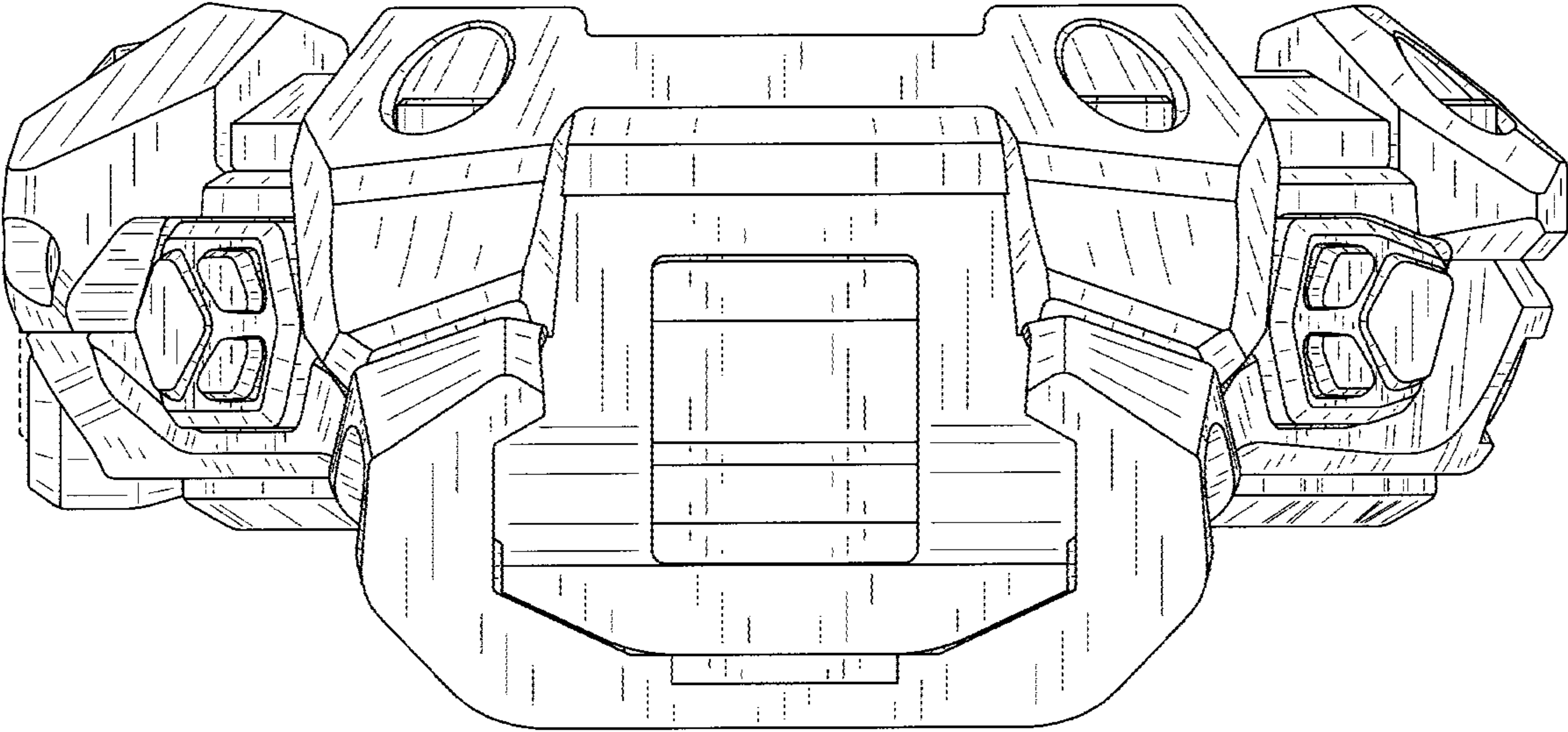


FIG. 7