



US00D936048S

(12) **United States Design Patent** (10) **Patent No.:** **US D936,048 S**
Wang (45) **Date of Patent:** **** Nov. 16, 2021**

(54) **SUCTION MOUNT PHONE HOLDER**

(71) Applicant: **Shenzhen Lanhe Technologies Co., Ltd.**, Shenzhen (CN)

(72) Inventor: **Ce Wang**, Guangdong (CN)

(73) Assignee: **Shenzhen Lanhe Technologies Co., Ltd.**, Shenzhen (CN)

(**) Term: **15 Years**

(21) Appl. No.: **29/745,395**

(22) Filed: **Aug. 5, 2020**

(30) **Foreign Application Priority Data**

Feb. 6, 2020 (CN) 202030047687.0

(51) **LOC (13) Cl.** **14-99**

(52) **U.S. Cl.**
USPC **D14/253**; D12/415

(58) **Field of Classification Search**
USPC D14/251-253, 224, 224.1, 432-434, 447, D14/451, 452; D12/415, 426.1, 114, 223; D16/242, 244, 245; D10/74; D3/218; D13/108

CPC B60R 11/00; B60R 11/02; B60R 11/0241; B60R 11/0252; B60R 2011/0003; B60R 2011/0005; B60R 2011/0008; H04M 1/04; H04B 1/3877; A45F 2200/0516; A45F 2200/0525; H05K 5/02; H05K 5/0204; H05K 7/00; F16M 13/02; F16M 13/022; F16M 11/00; F16M 11/04; F16M 11/041; F16M 11/06

See application file for complete search history.

(56) **References Cited**

U.S. PATENT DOCUMENTS

D638,008 S * 5/2011 Richter D14/253
D718,297 S * 11/2014 Aspinall D14/253

D732,519 S * 6/2015 Aspinall D14/253
D748,098 S * 1/2016 Khodapanah D14/447
D769,235 S * 10/2016 Li D14/253
D771,734 S * 11/2016 Samuels D16/245
D817,317 S * 5/2018 Lee D14/253
D818,421 S * 5/2018 Hu D12/415
D819,015 S * 5/2018 Lee D14/253
D832,248 S * 10/2018 Sukphist D14/253
D833,369 S * 11/2018 Lan D12/415
D850,436 S * 6/2019 Vogel D14/253
D852,116 S * 6/2019 Jun D12/415
D870,093 S * 12/2019 McSweyn D14/253
D870,096 S * 12/2019 McSweyn D14/253
D872,727 S * 1/2020 Chung D14/253
D873,813 S * 1/2020 Zhong D14/253
D875,090 S * 2/2020 Leeds-Frank D14/253
D876,316 S * 2/2020 Peters D12/415

(Continued)

FOREIGN PATENT DOCUMENTS

CN 306328998 * 2/2021

Primary Examiner — Angela J Lee

Assistant Examiner — Rebekah A Caruso

(74) *Attorney, Agent, or Firm* — Andrew C. Cheng

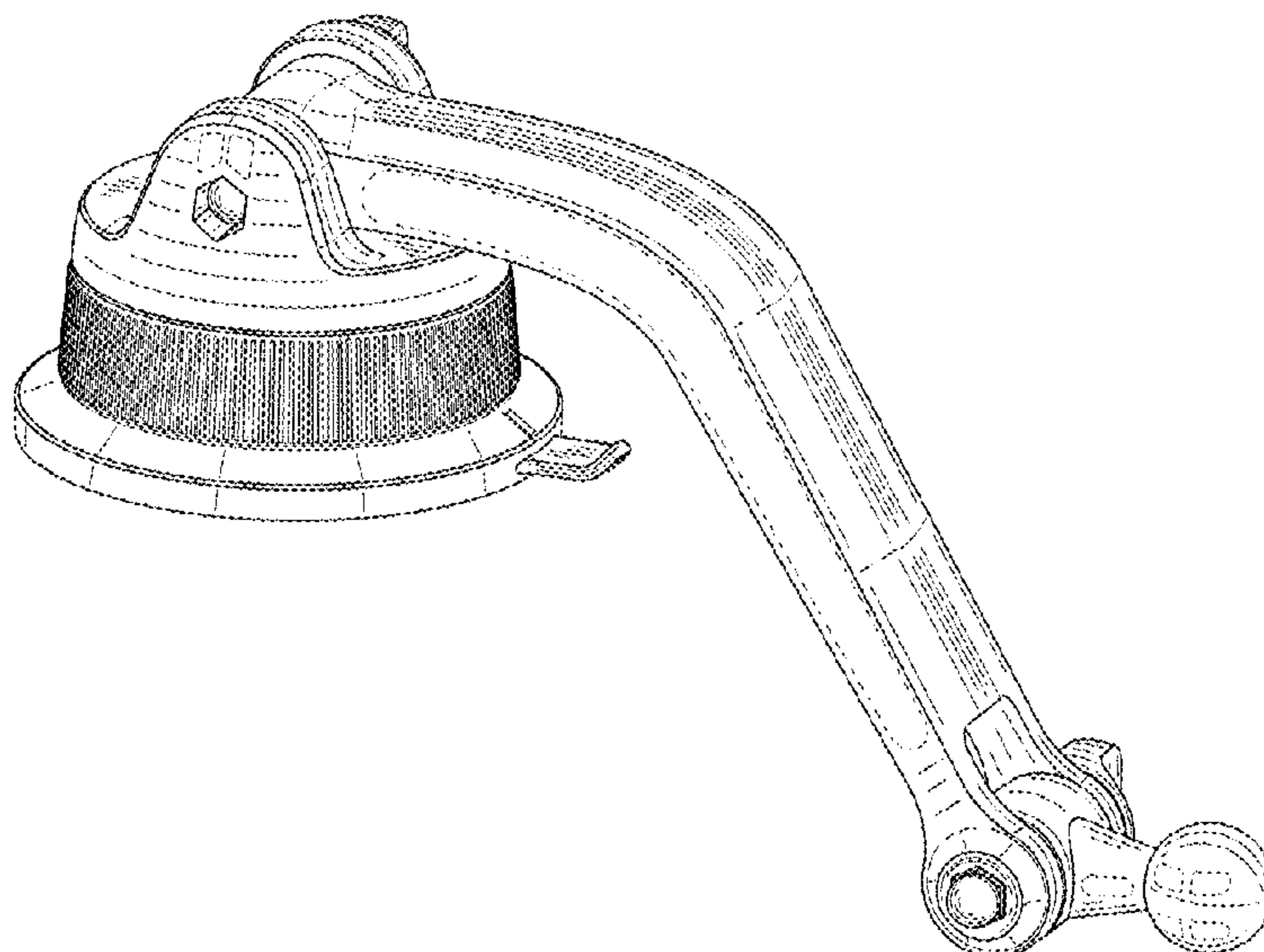
(57) **CLAIM**

I claim the ornamental design for a suction mount phone holder, as shown and described.

DESCRIPTION

FIG. 1 is a perspective view of a suction mount phone holder showing my new design;
FIG. 2 is a front view thereof;
FIG. 3 is a rear view thereof;
FIG. 4 is a left side view thereof;
FIG. 5 is a right side view thereof;
FIG. 6 is a top view thereof; and,
FIG. 7 is a bottom view thereof.
The broken lines depict portions of the article that form no part of the claimed design.

1 Claim, 7 Drawing Sheets



(56)

References Cited

U.S. PATENT DOCUMENTS

D879,090 S * 3/2020 Chung D14/253
D879,766 S * 3/2020 Fan D14/253
D889,382 S * 7/2020 Lan D12/415
D907,028 S * 1/2021 Shen D14/253
D907,627 S * 1/2021 Li D14/253
D927,479 S * 8/2021 Wang D14/253
D928,139 S * 8/2021 Wang D14/253
2020/0103071 A1* 4/2020 Du F16M 11/2021

* cited by examiner

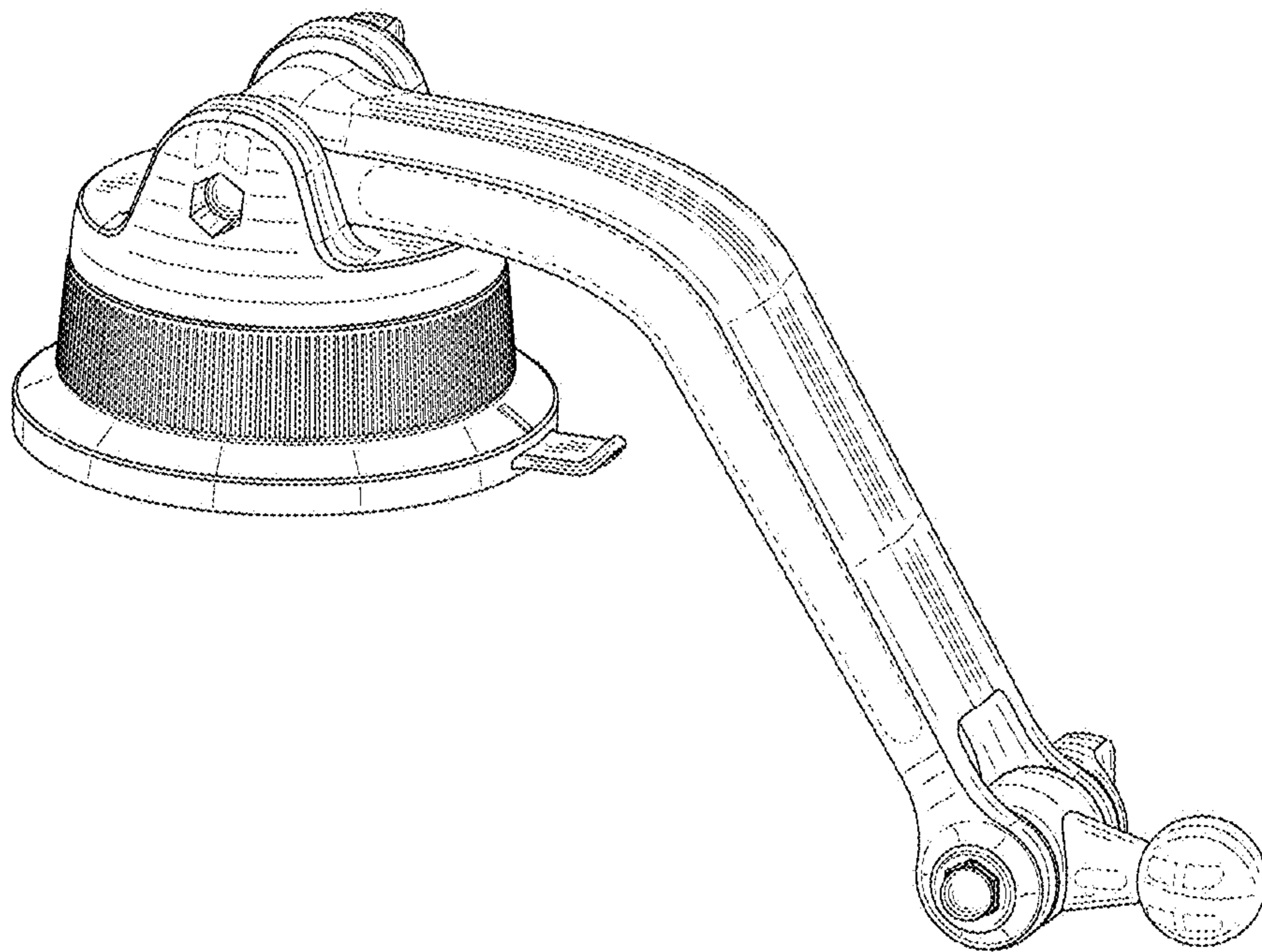


FIG. 1

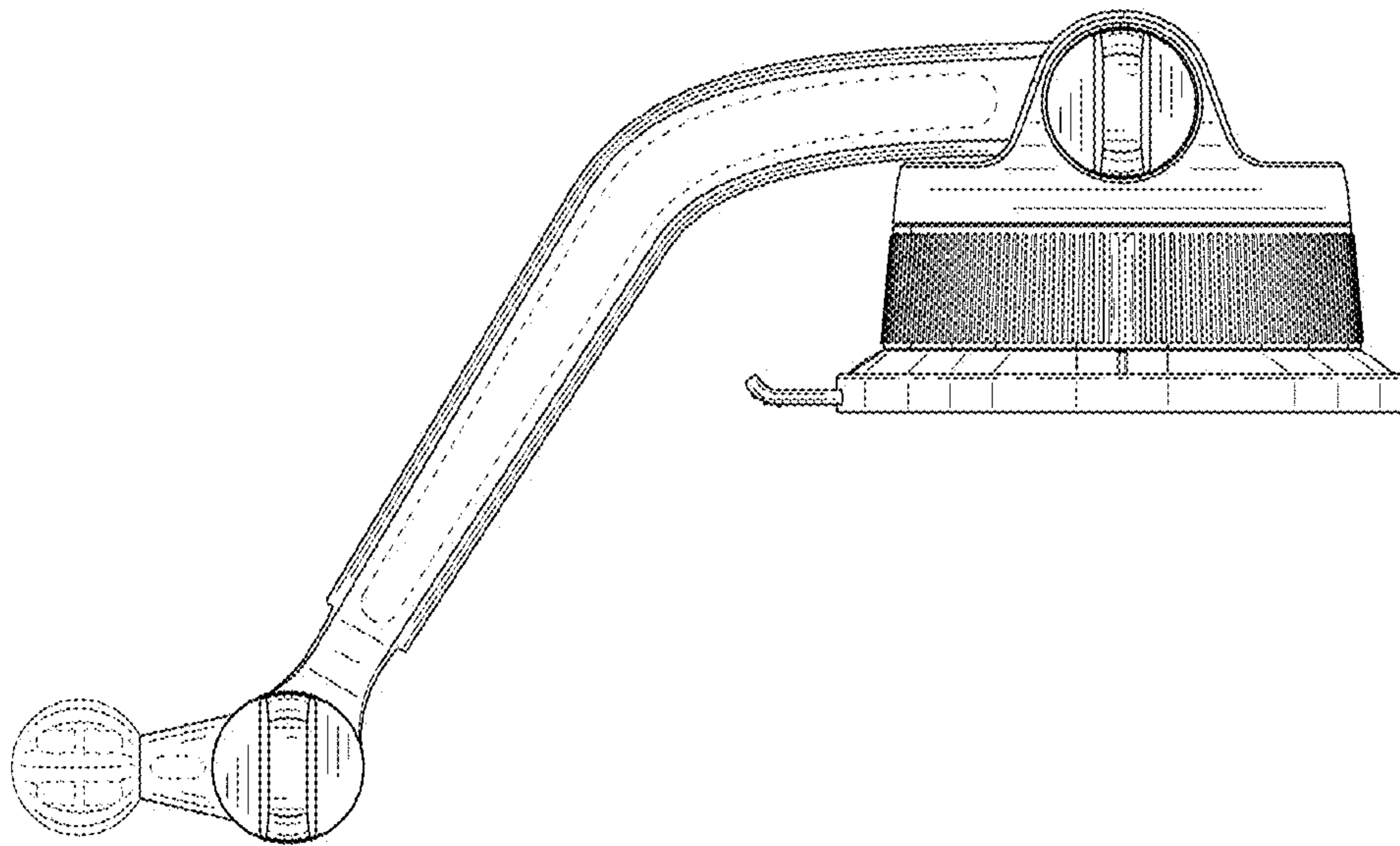


FIG. 2

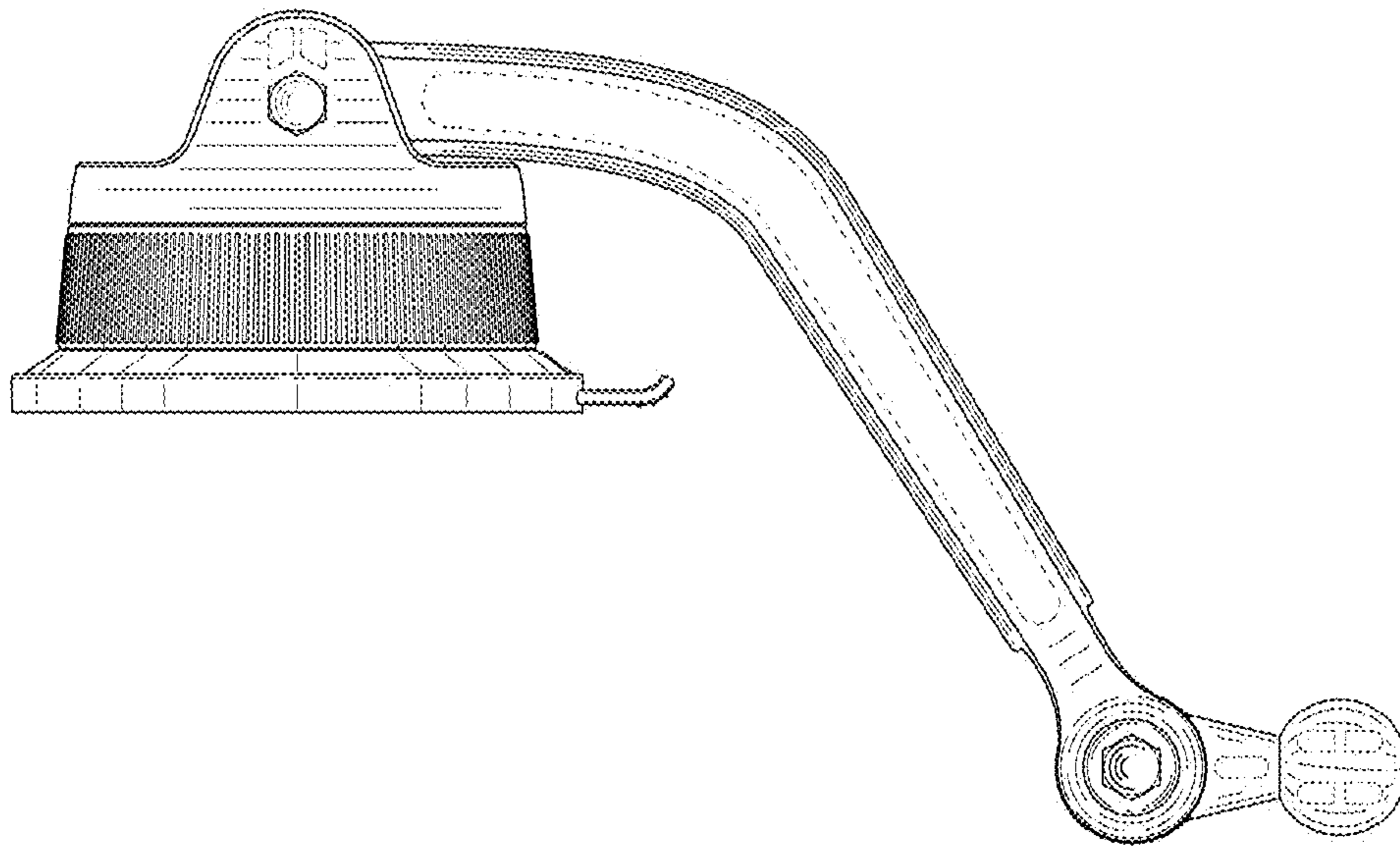


FIG. 3

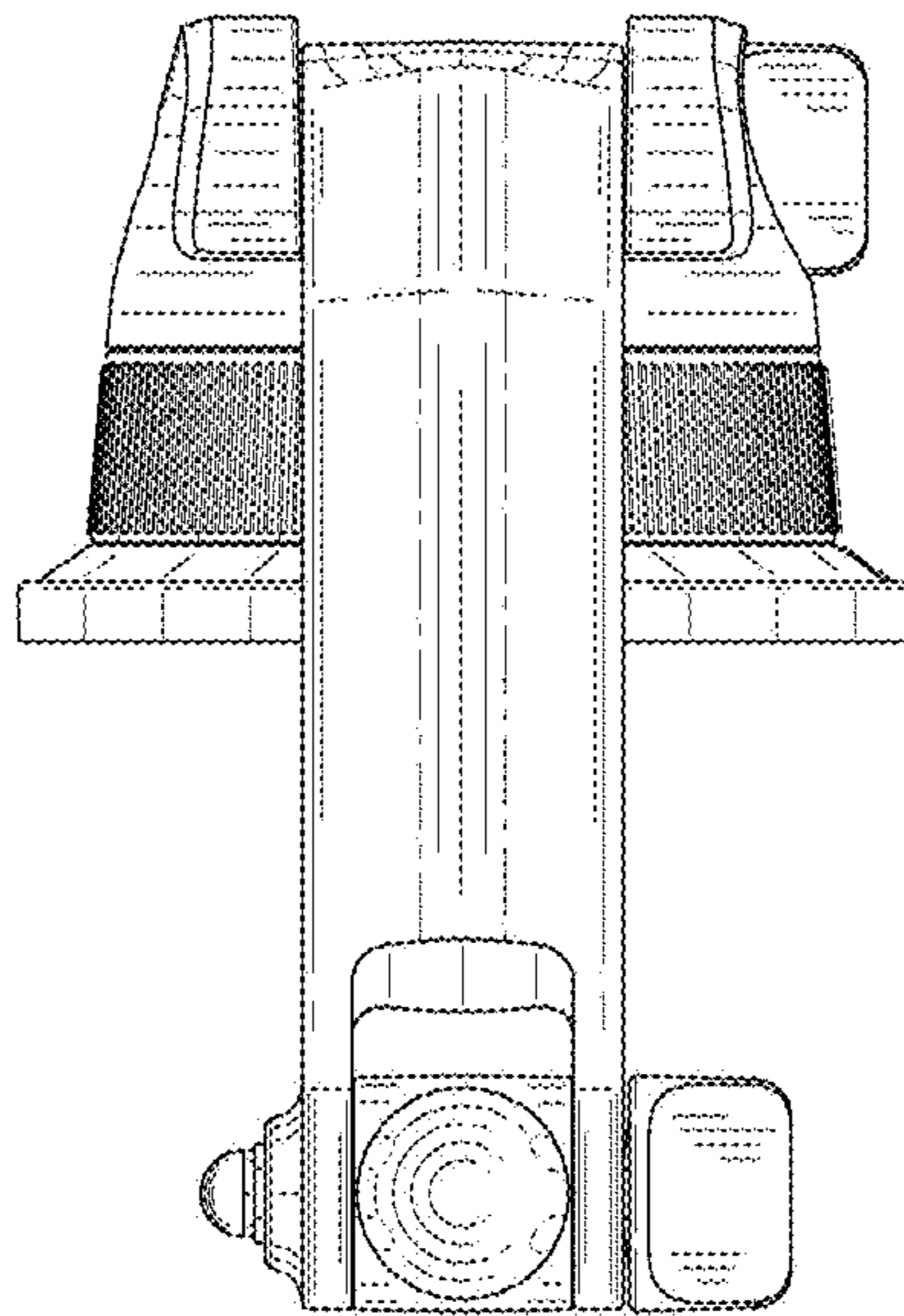


FIG. 4

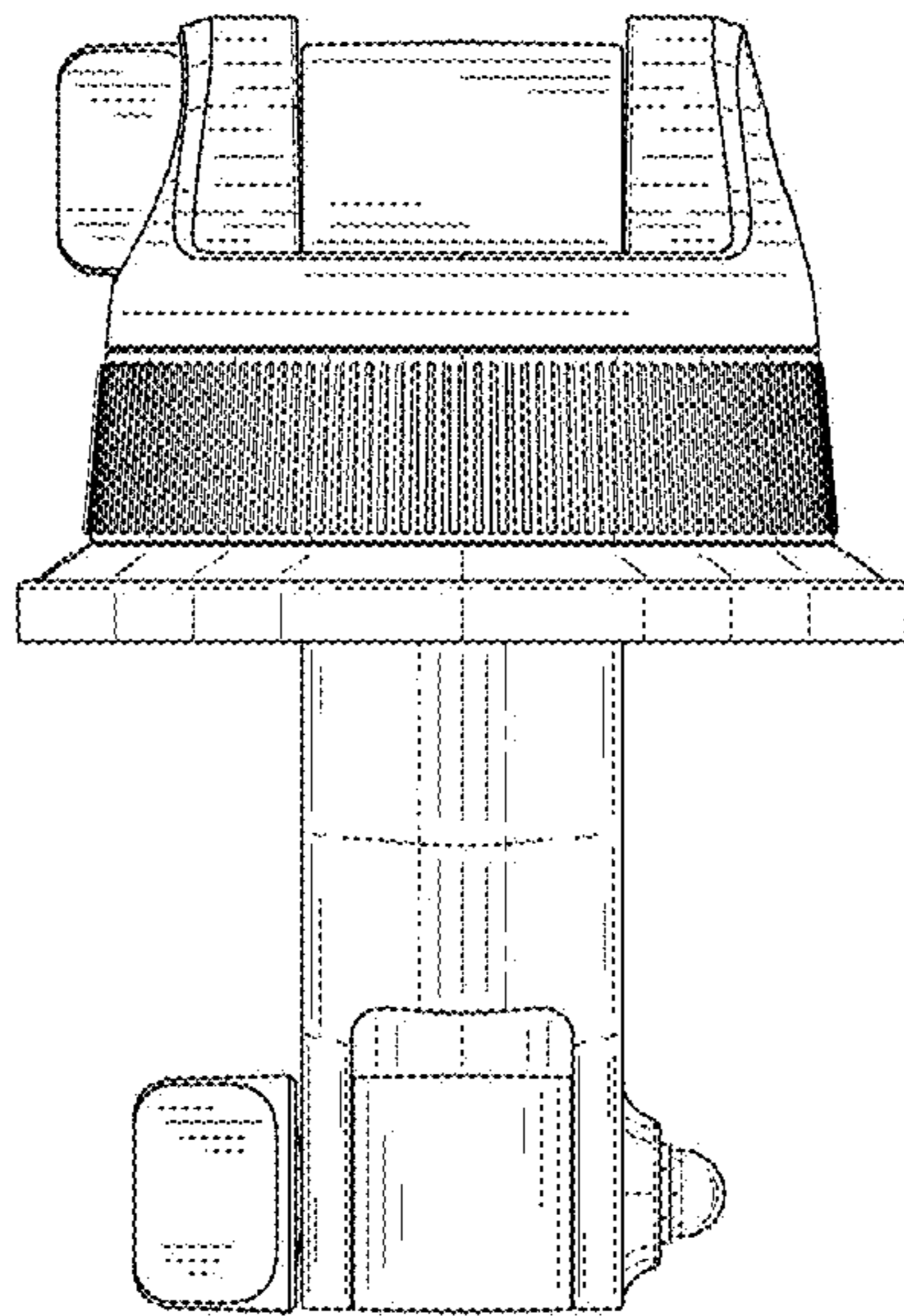


FIG. 5

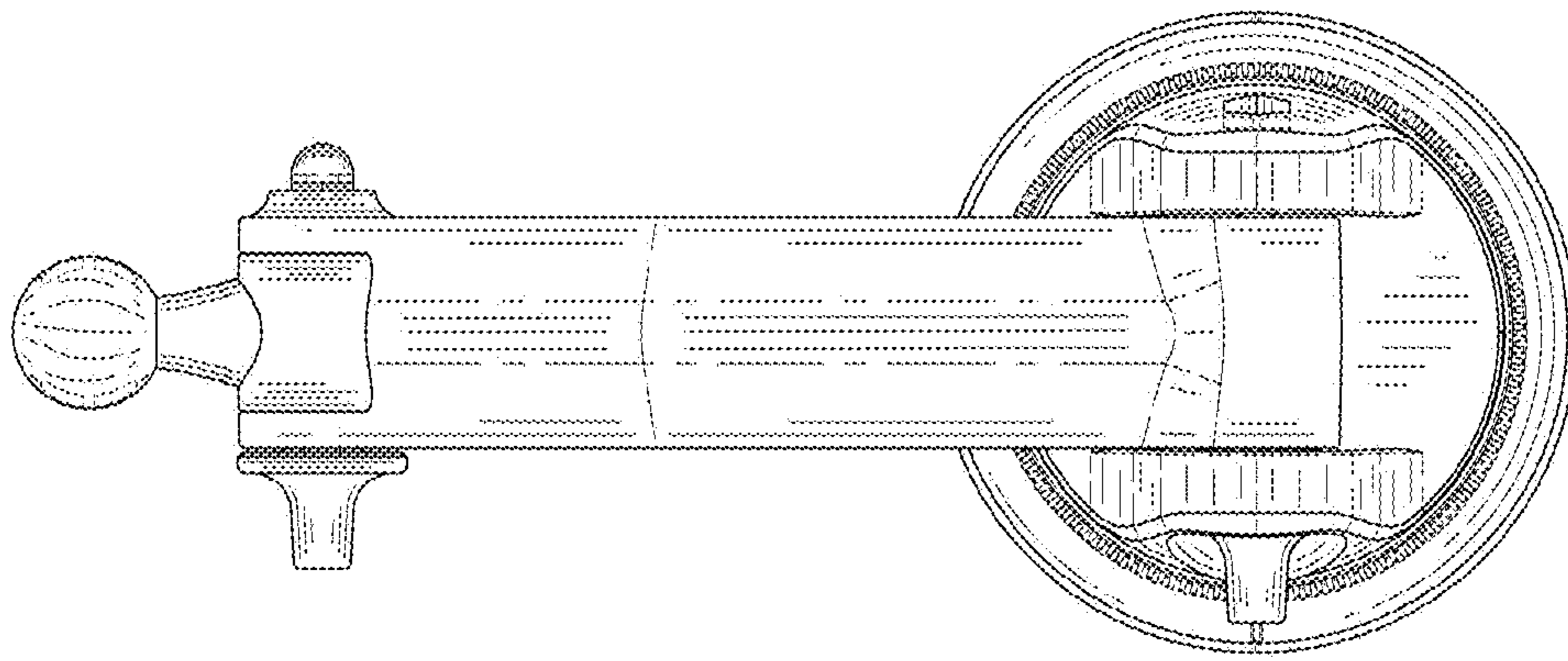


FIG. 6

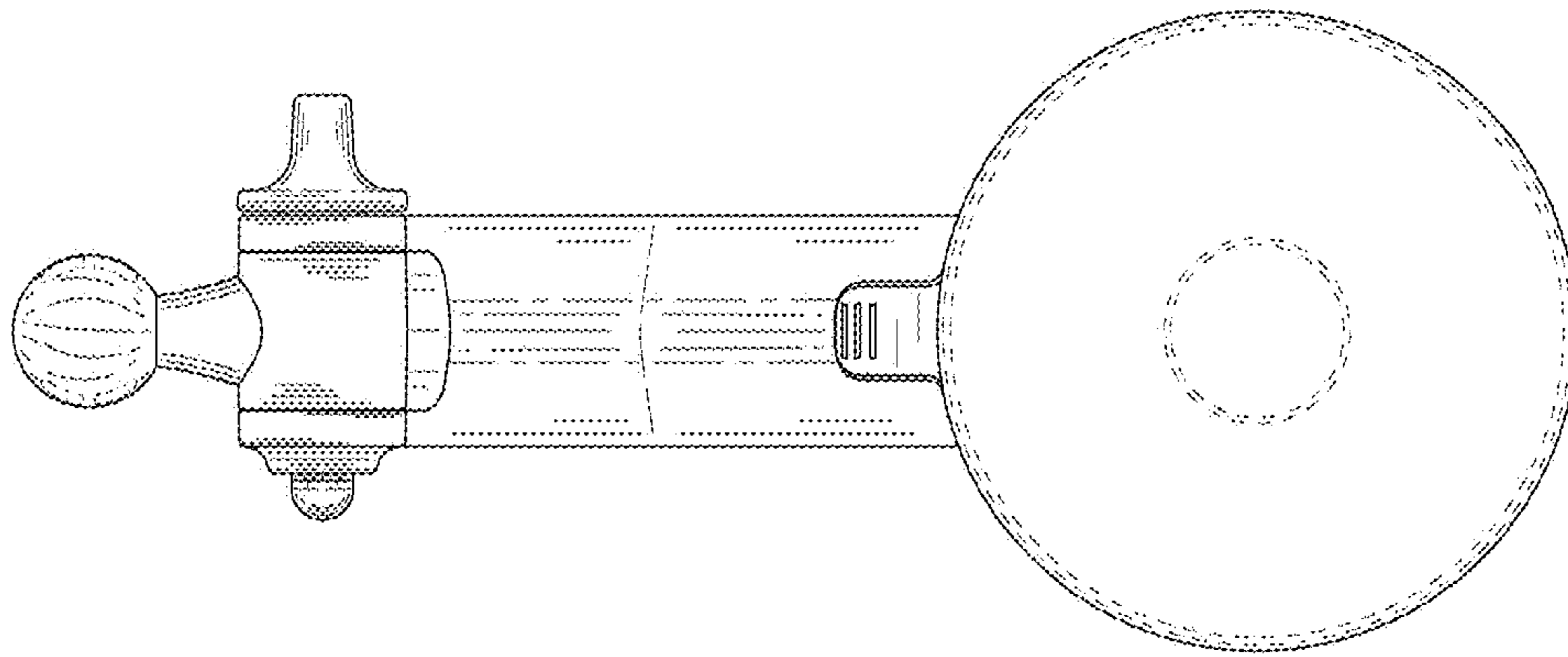


Fig. 7