



US00D936046S

(12) **United States Design Patent** (10) **Patent No.:** **US D936,046 S**
Kim et al. (45) **Date of Patent:** **** Nov. 16, 2021**

(54) **PHONE CASE**

(56) **References Cited**

(71) Applicant: **Spigen, Inc.**, Irvine, CA (US)

U.S. PATENT DOCUMENTS

(72) Inventors: **WooJin Kim**, Fullerton, CA (US);
Saehee Park, Arcadia, CA (US); **Judy Chung**, Arcadia, CA (US); **Seungchul Lee**, Anaheim, CA (US); **Kidong Kwon**, Glendale, CA (US); **TaeHun Kim**, Irvine, CA (US)

D453,749 S 2/2002 Lee et al.
D490,419 S 5/2004 Shiue et al.
D574,146 S 8/2008 Eisenbraun
D581,151 S * 11/2008 Aipa D3/201
D593,528 S 6/2009 Shi
D606,305 S 12/2009 Lee et al.
D610,111 S * 2/2010 Kim D14/138 AA
D629,772 S 12/2010 Mo et al.
D643,396 S 8/2011 Hou
D655,287 S 3/2012 de Jong et al.
D663,297 S 7/2012 de Jong et al.
D666,824 S 9/2012 Phillips et al.
D672,739 S 12/2012 Sin
D673,550 S 1/2013 Magness et al.
D673,552 S 1/2013 Weller et al.
D679,692 S 4/2013 Fahrendorff

(73) Assignee: **Spigen, Inc.**, Irvine, CA (US)

(**) Term: **15 Years**

(21) Appl. No.: **29/703,466**

(22) Filed: **Aug. 27, 2019**

(Continued)

Primary Examiner — Carla J Wright

(74) *Attorney, Agent, or Firm* — Heedong Chae; Lucem, PC

Related U.S. Application Data

(63) Continuation of application No. 29/557,965, filed on Mar. 14, 2016, now Pat. No. Des. 859,386.

(57) **CLAIM**

The ornamental design for a phone case, as shown and described.

(30) **Foreign Application Priority Data**

Oct. 19, 2015 (KR) 30-2015-52567

DESCRIPTION

(51) **LOC (13) Cl.** **14-03**

(52) **U.S. Cl.**
USPC **D14/250**

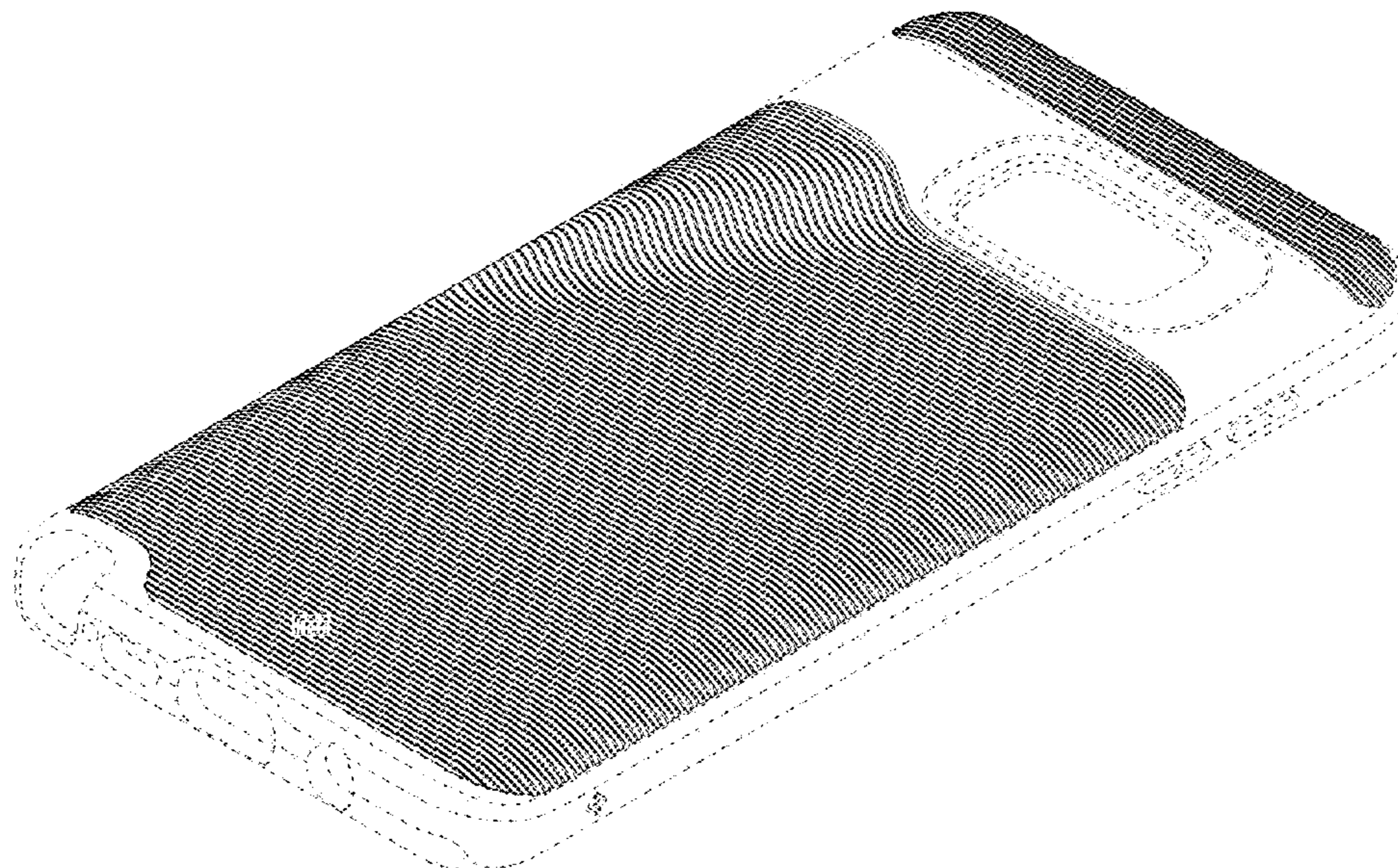
(58) **Field of Classification Search**

USPC D14/203.3–203.7, 439, 251–253, 447,
D14/217, 240, 238.1, 250, 440, 248;
D13/107–108, 103, 119; D3/201, 218,
D3/247, 249, 269, 273, 301, 303
CPC . H04B 1/3888; A45C 13/02; A45C 2011/002;
A45C 1/06; A45C 11/00; A45F 2005/026;
A45F 2200/0525; A45F 2200/0516;
H04M 1/0283; H04M 1/0202

FIG. 1 is a front view of a phone case showing our new design;
FIG. 2 is a back view thereof;
FIG. 3 is a left side view thereof;
FIG. 4 is a right side view thereof;
FIG. 5 is a top view thereof;
FIG. 6 is a bottom view thereof;
FIG. 7 is an isometric view of the back thereof; and,
FIG. 8 is an isometric view of the front of the phone case.
The broken lines depict portions of the phone case that form no part of the claimed design.

See application file for complete search history.

1 Claim, 8 Drawing Sheets



(56)

References Cited

U.S. PATENT DOCUMENTS

D678,327	S	5/2013	Lee et al.	
D681,616	S	5/2013	Weller	
D681,617	S	5/2013	Weller et al.	
D685,357	S	7/2013	Rekuc	
D685,740	S	7/2013	Moore	
D687,425	S	8/2013	Fahrendorff	
D691,601	S	10/2013	Murchison et al.	
D692,418	S	10/2013	Fahrendorff et al.	
D707,215	S	6/2014	Weller et al.	
D716,281	S	10/2014	Melanson	
D716,282	S	10/2014	Melanson	
D716,783	S	11/2014	Loncar	
D727,303	S	4/2015	Sin	
D751,058	S	3/2016	Cocchia	
D781,838	S *	3/2017	Kim	D14/250
D823,297	S *	7/2018	Kim	D14/250
D832,833	S *	11/2018	Kim	D14/250
D836,095	S *	12/2018	Kim	D14/250
D840,992	S *	2/2019	Kim	D14/250
D844,555	S *	4/2019	McLean	D13/103
D851,638	S *	6/2019	Kim	D14/250
D857,682	S *	8/2019	Wang	D14/250
D859,386	S *	9/2019	Kim	D14/250
D917,444	S *	4/2021	Weng	D14/250
2010/0096284	A1 *	4/2010	Bau	B65D 85/00 206/320

* cited by examiner

FIG. 1

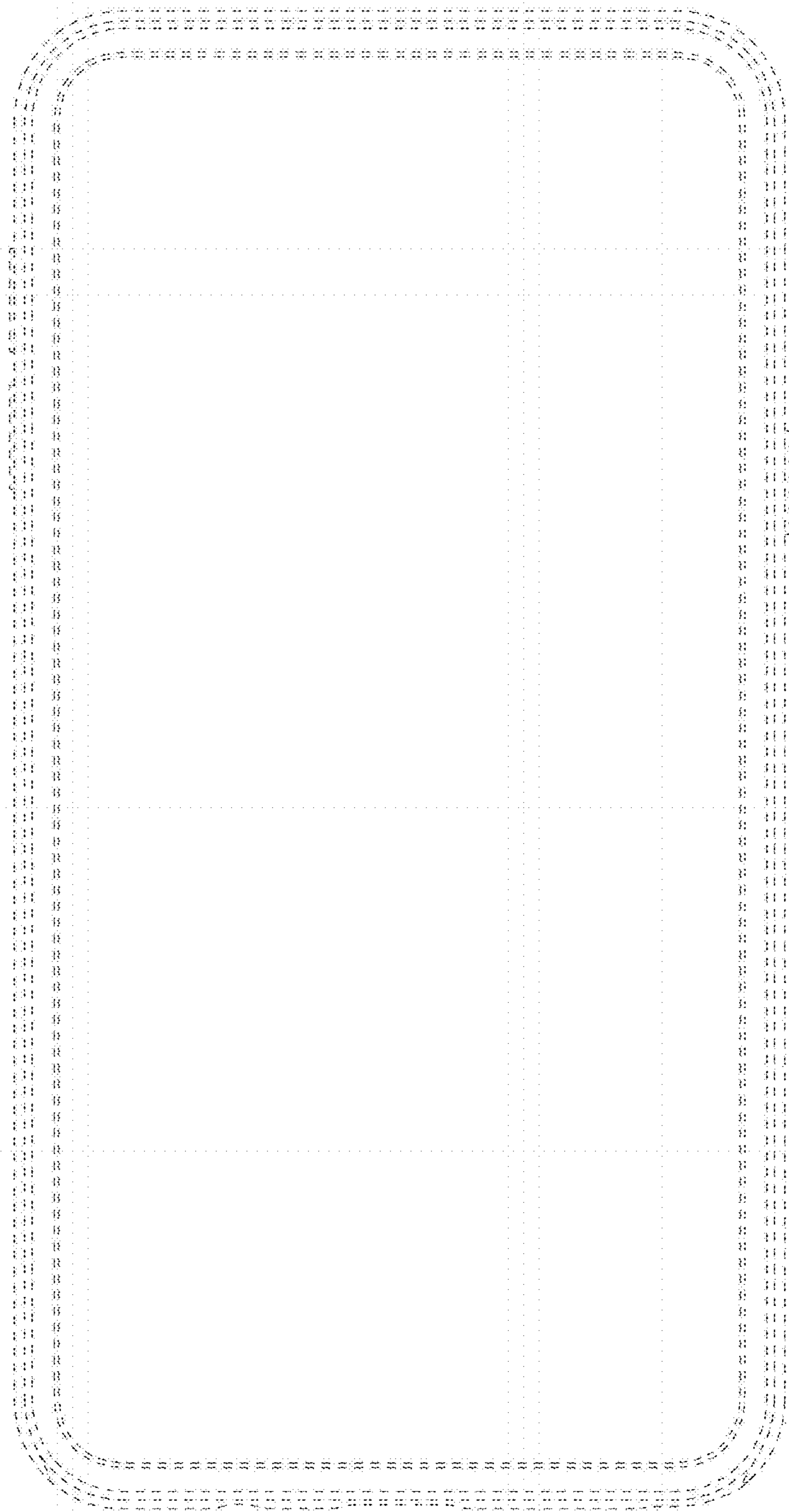


FIG. 2

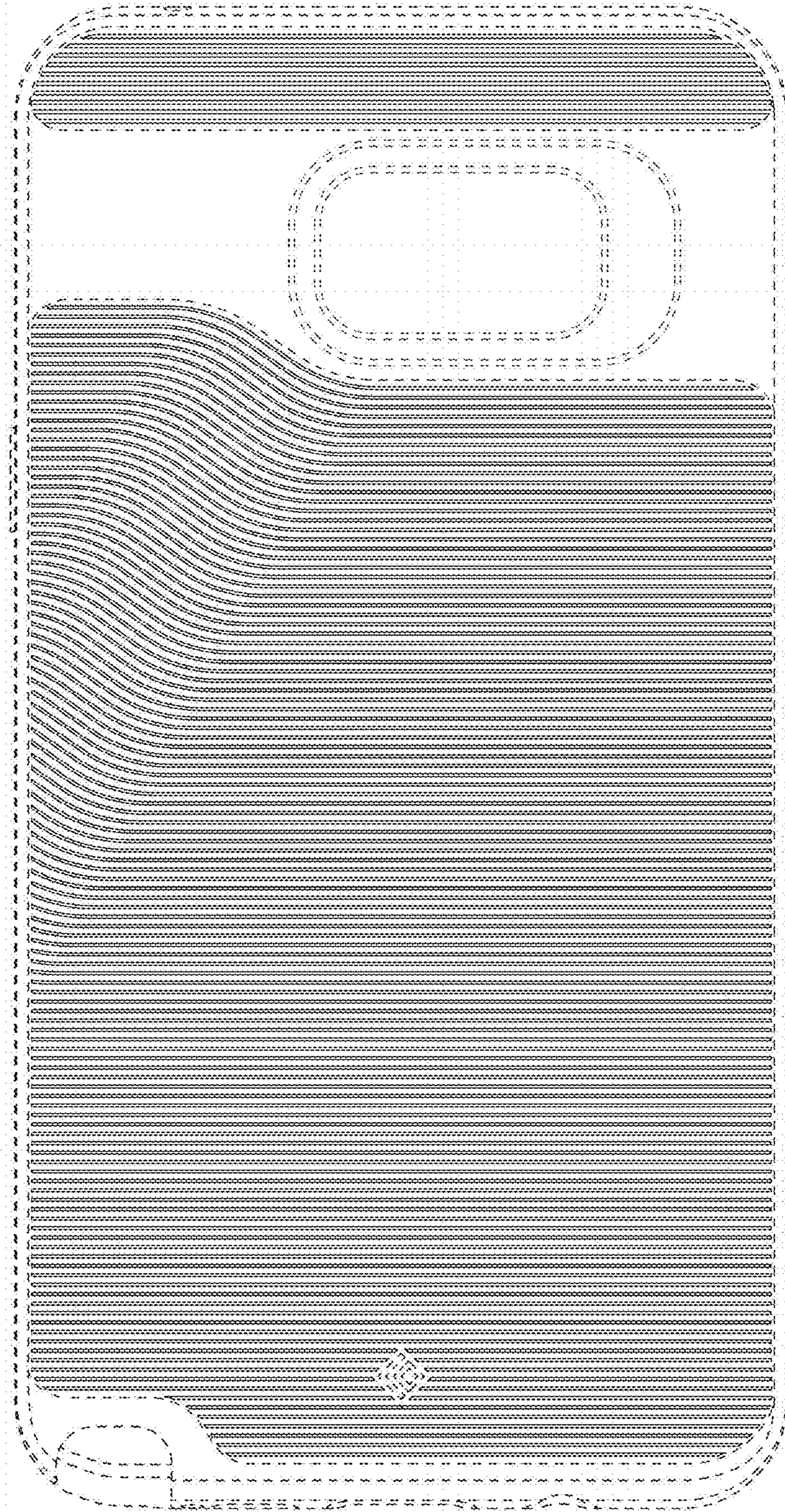


FIG. 3

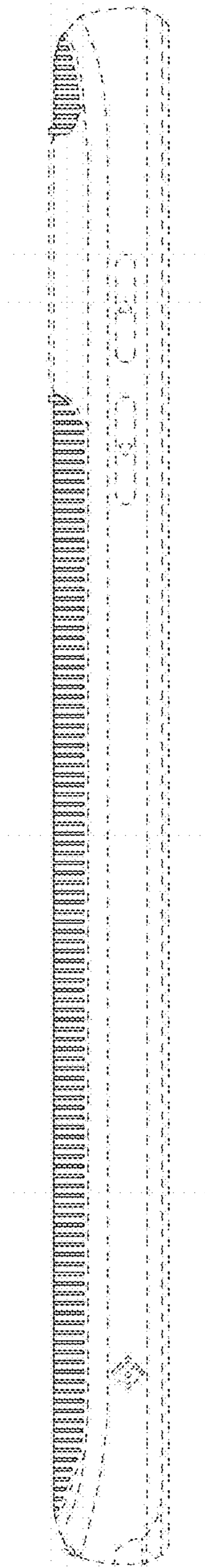


FIG. 4

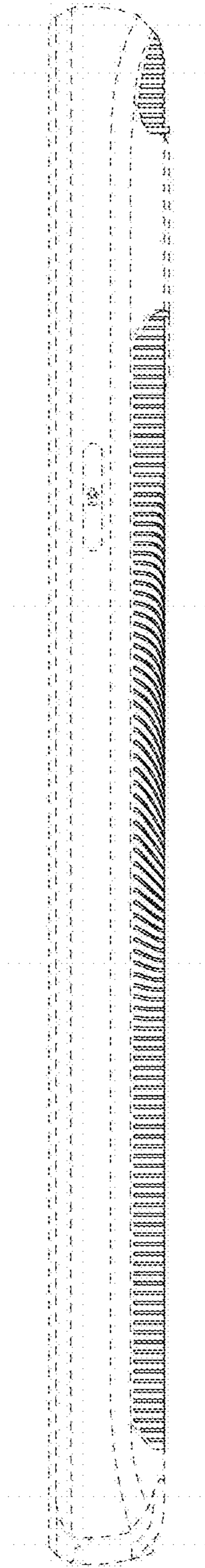


FIG. 5

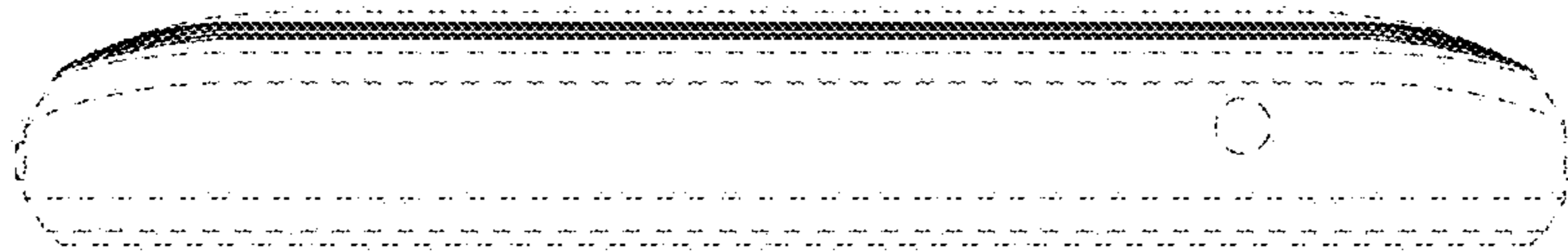


FIG. 6

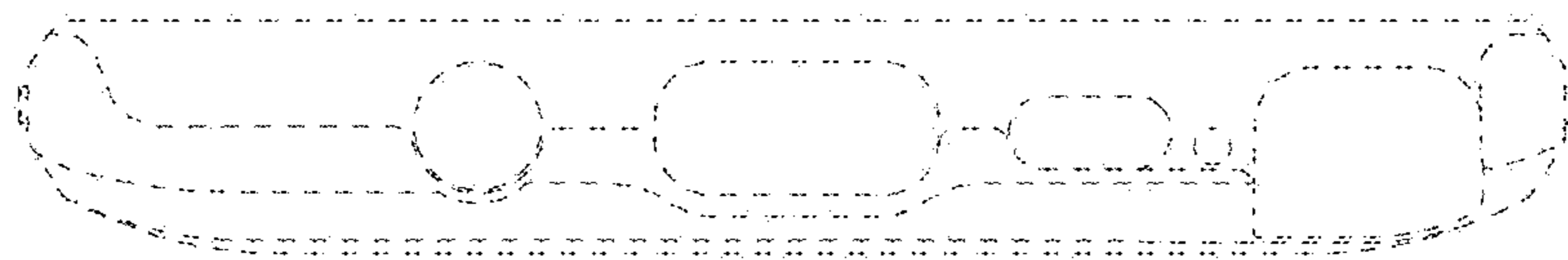


FIG. 7

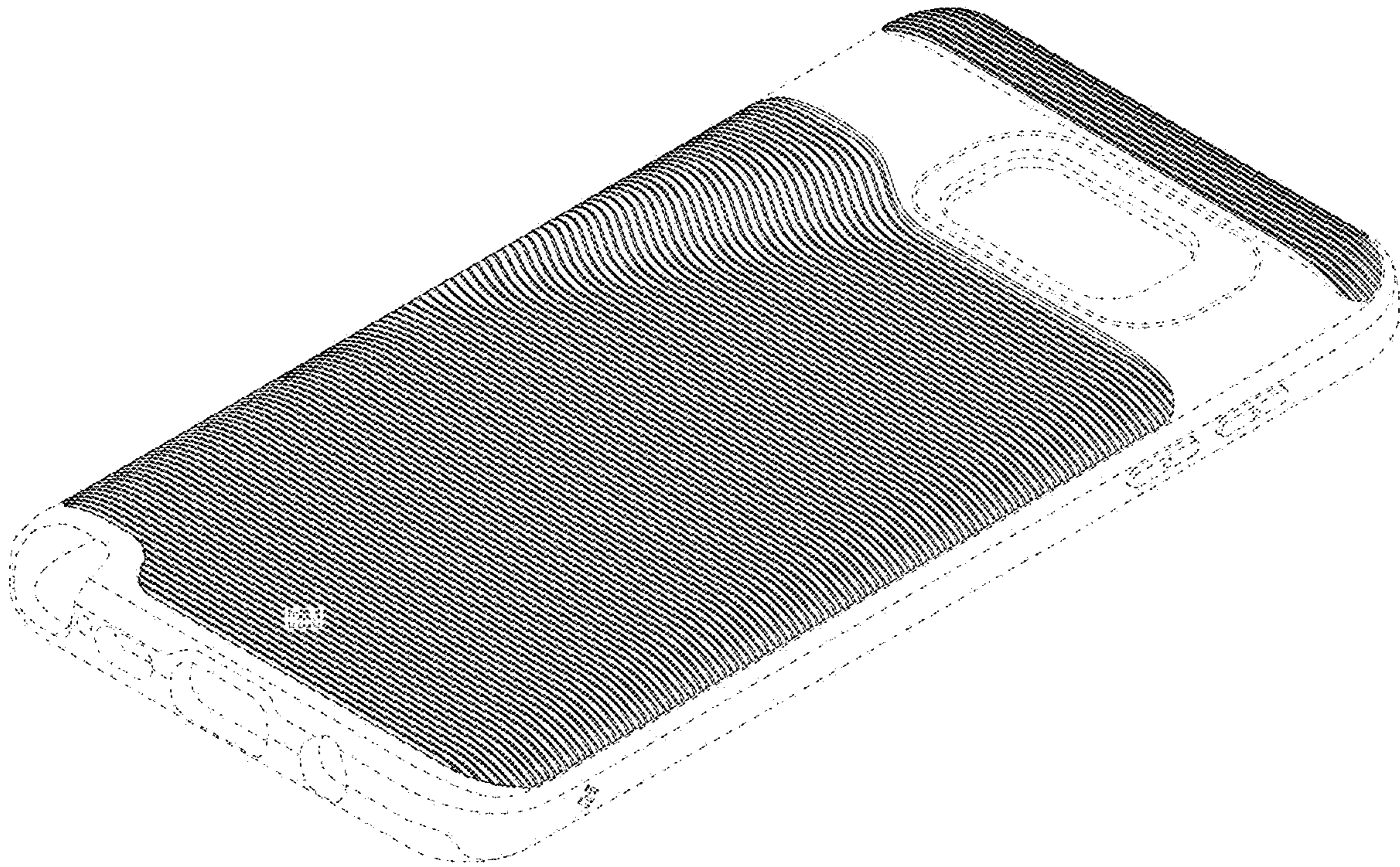


FIG. 8

