



US00D936045S

(12) **United States Design Patent** (10) **Patent No.:** **US D936,045 S**
Xie (45) **Date of Patent:** **** Nov. 16, 2021**

(54) **DISPLAY MOUNT**

(71) Applicant: **Shenzhen Bestqi Innovation Technology Co., Ltd, Shenzhen (CN)**

(72) Inventor: **Menghong Xie, Shenzhen (CN)**

(**) Term: **15 Years**

(21) Appl. No.: **29/758,596**

(22) Filed: **Nov. 17, 2020**

(51) **LOC (13) Cl.** **14-03**

(52) **U.S. Cl.**
USPC **D14/239**

(58) **Field of Classification Search**
USPC D14/239, 371, 372, 373, 374, 447, 448,
D14/449-452, 335-337, 125, 127, 128,
D14/129, 375, 376, 377, 341, 126;
D8/355, 363, 373; D6/672, 682
CPC F16M 11/2085; F16M 11/2092; F16M
11/2007; F16M 11/2014; F16M 11/2021;
F16M 11/105; F16M 11/048; F16M
11/12; F16M 13/022; F16M 11/10
See application file for complete search history.

(56) **References Cited**

U.S. PATENT DOCUMENTS

D543,210 S	5/2007	Stenhouse et al.	
D595,299 S	6/2009	Bures	
D700,593 S *	3/2014	Xiang	D14/239
D816,646 S *	5/2018	Pei	D14/239
D822,011 S *	7/2018	Namala	D14/239
D841,631 S *	2/2019	Pei	D14/239
D842,284 S *	3/2019	Pei	D14/239
D848,988 S *	5/2019	Pei	D14/239
D852,805 S *	7/2019	Lyu	D14/452
D877,746 S *	3/2020	Pei	D14/452
D878,382 S *	3/2020	Pei	D14/452

D912,025 S *	3/2021	Lyu	D14/239
D912,027 S *	3/2021	Lyu	D14/239
2018/0177299 A1 *	6/2018	Pei	F16M 13/02
2019/0191879 A1 *	6/2019	Pei	F16M 11/105

FOREIGN PATENT DOCUMENTS

EM	002291906-0005	*	8/2013
GB	6081621	*	1/2020
KR	300768711.0000	*	11/2014
KR	300768713.0000	*	11/2014

OTHER PUBLICATIONS

Amazon. Link: https://www.amazon.com/dp/B08C5FX1BB/ref=cm_sw_em_r_mt_dp_0Q8H0Y0DV3DVY05JHGDQ?_encoding=UTF8&pvc=1. Jul. 1, 2020. AM alphamount TV Wall Mount. (Year: 2020).*

(Continued)

Primary Examiner — Lauren D McVey
(74) *Attorney, Agent, or Firm* — W&K IP

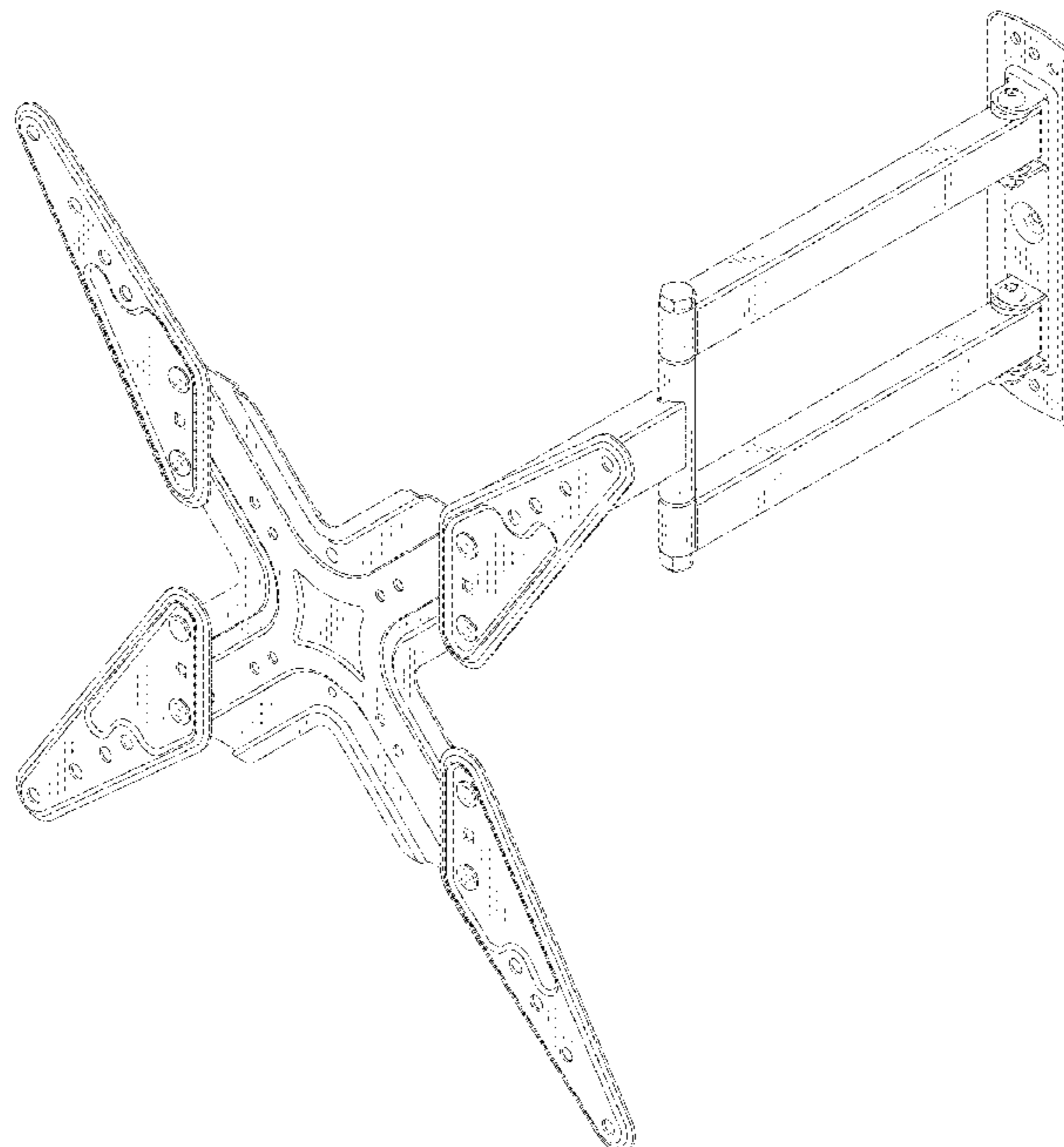
(57) **CLAIM**

The ornamental design for a display mount, as shown and described.

DESCRIPTION

FIG. 1 is a perspective view of a display mount showing my new design;
FIG. 2 is a front view thereof;
FIG. 3 is a rear view thereof;
FIG. 4 is a left side view thereof;
FIG. 5 is a right side view thereof;
FIG. 6 is a top plan view thereof; and,
FIG. 7 is a bottom plan view thereof.
The evenly-broken lines where present illustrate portions of the display mount that form no part of the claimed design.

1 Claim, 7 Drawing Sheets



(56)

References Cited

OTHER PUBLICATIONS

Amazon. Link: https://www.amazon.com/dp/B07WMPKYGD/ref=cm_sw_em_r_mt_dp_d1C_pttXFb8AXFEEC?_encoding=UTF8&psc=1. Aug. 14, 2019. Pipishell Full Motion TV Wall Mount Bracket. (Year: 2019).*

Amazon. Link: https://www.amazon.com/dp/B0742DQJBC/ref=cm_sw_em_r_mt_dp_e5NTFb2P5HD5J. Jul. 19, 2017. Loctek Ceiling TV Mount. (Year: 2017).*

Amazon. Link: https://www.amazon.com/PERLESMITH-Swivel-Extends-Bracket-400x400/dp/B01JROIMM2/ref=sr_1_3?dchild=1&keywords=perlesmith+psmfk1&qid=1616520810&s=electronics&sr=1-3. Aug. 5, 2016. PERLESMITH TV Wall Mount. (Year: 2016).*

* cited by examiner

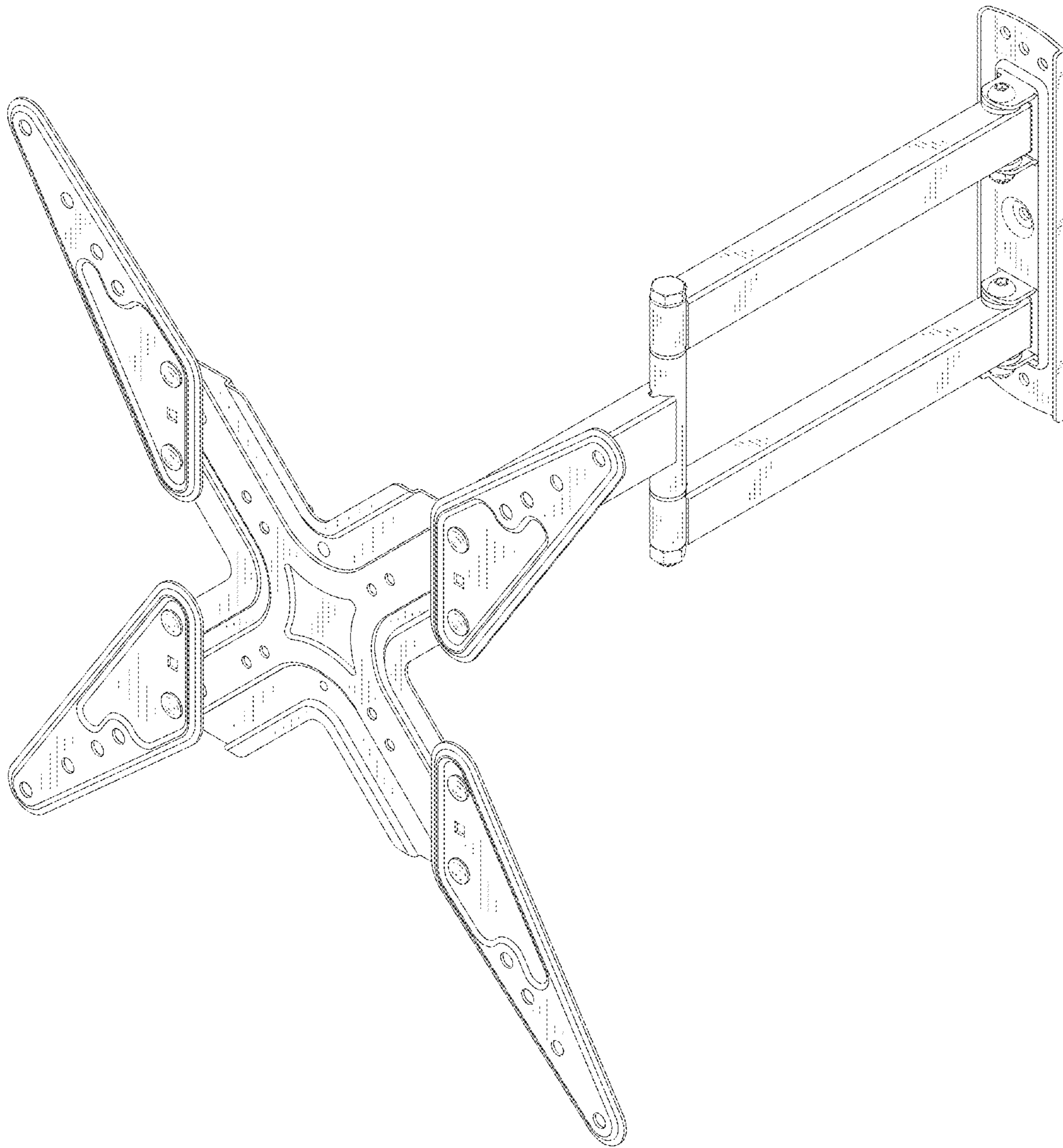


FIG. 1

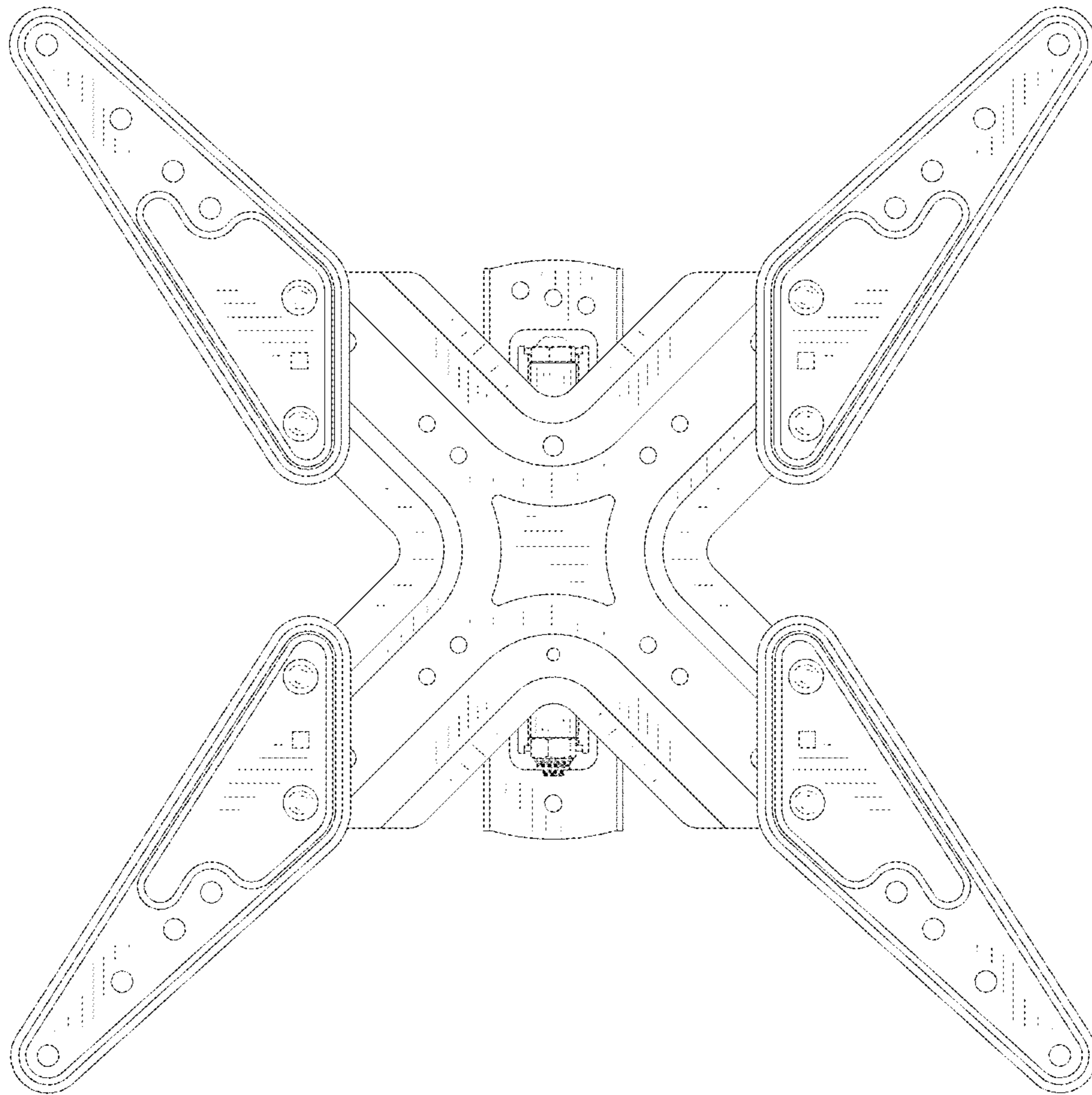


FIG.2

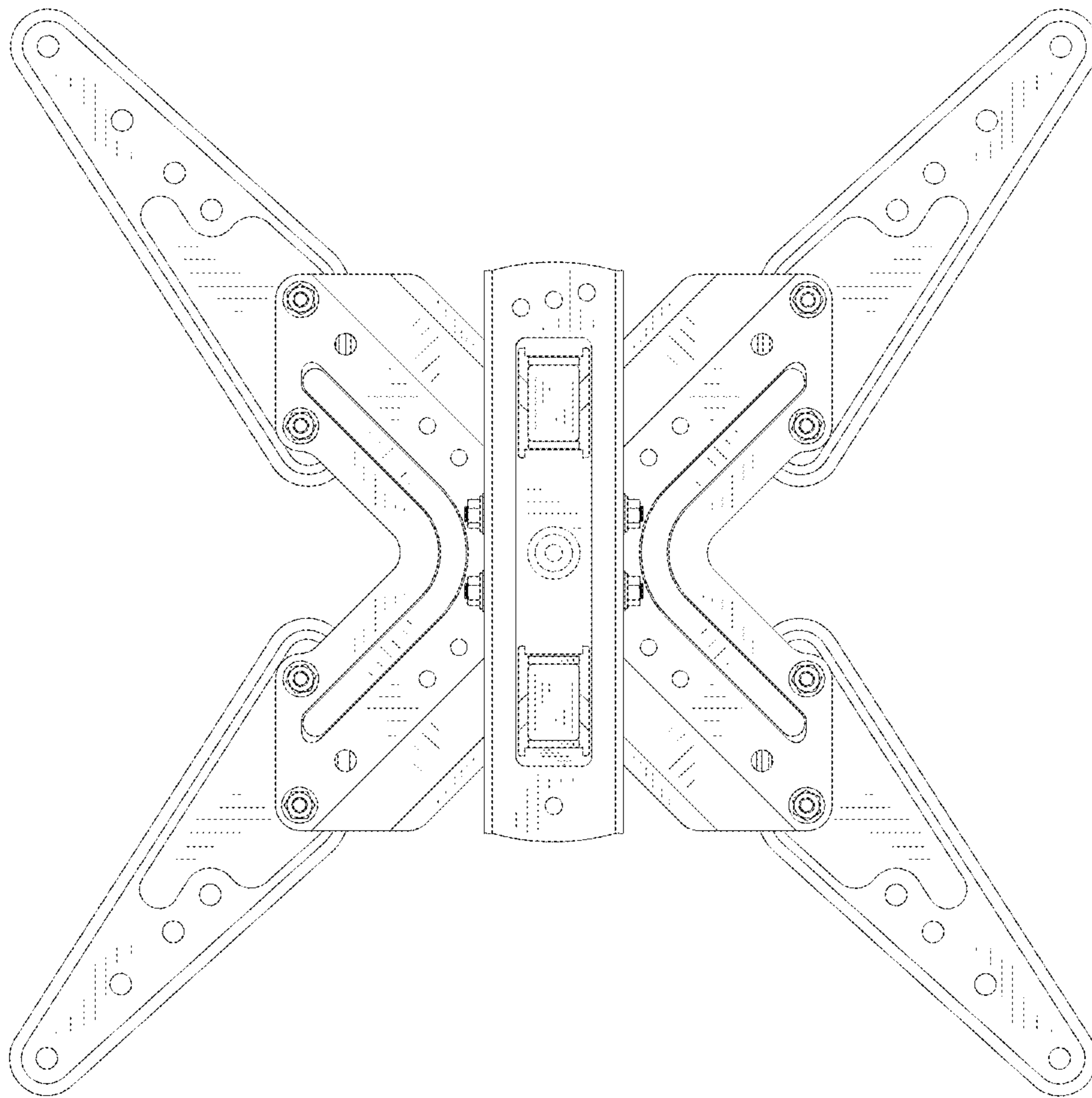


FIG. 3

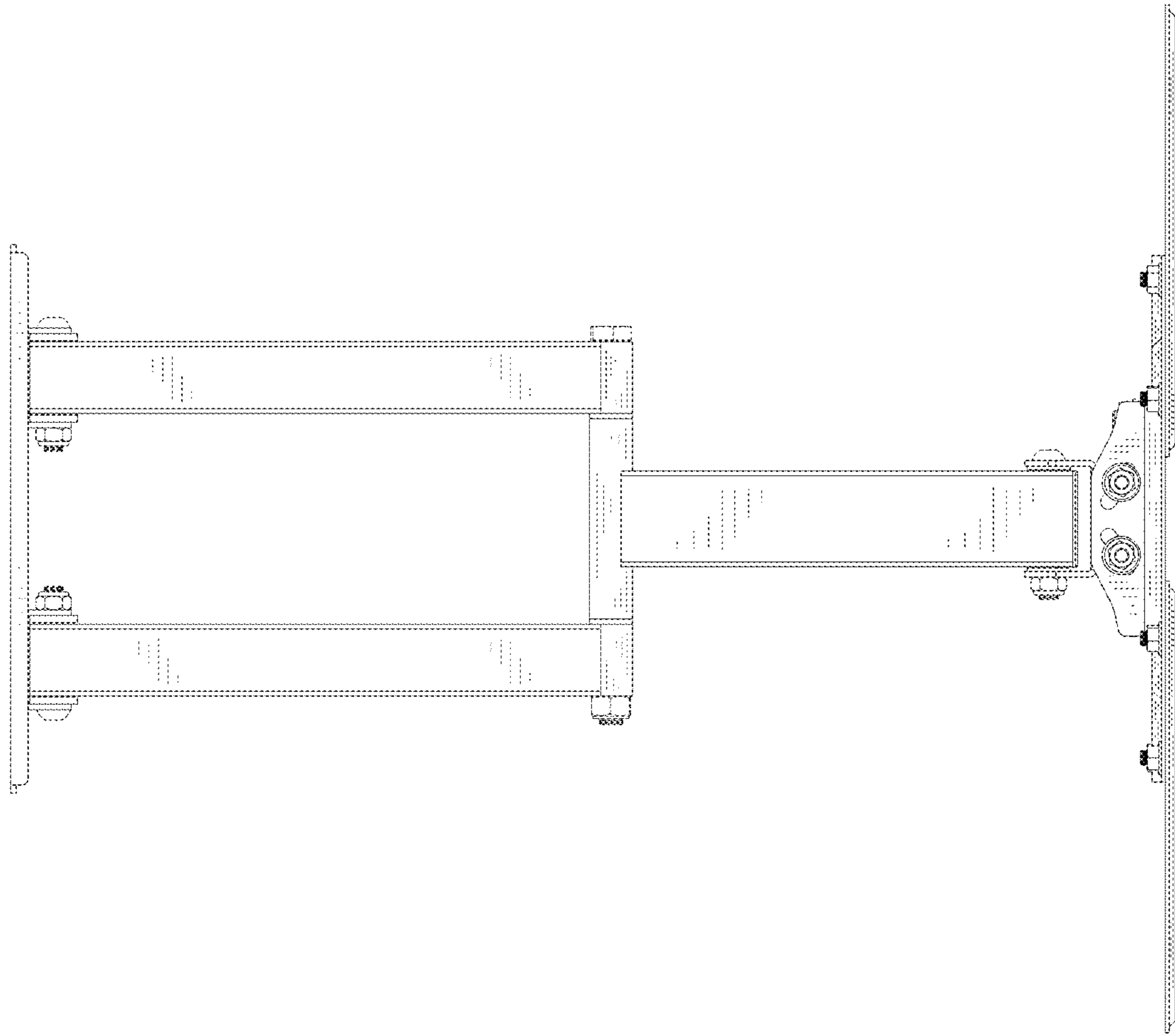


FIG. 4

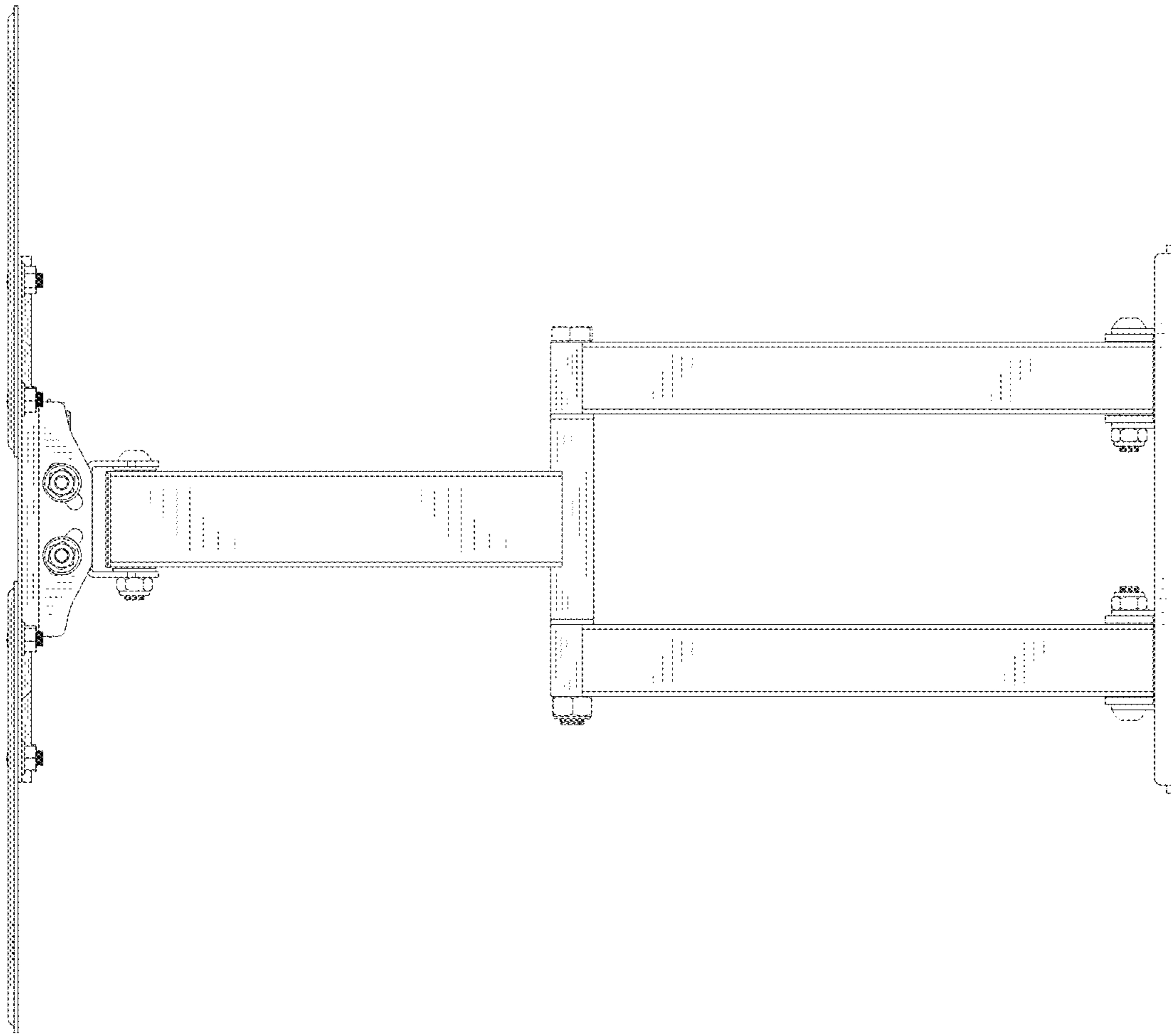


FIG. 5

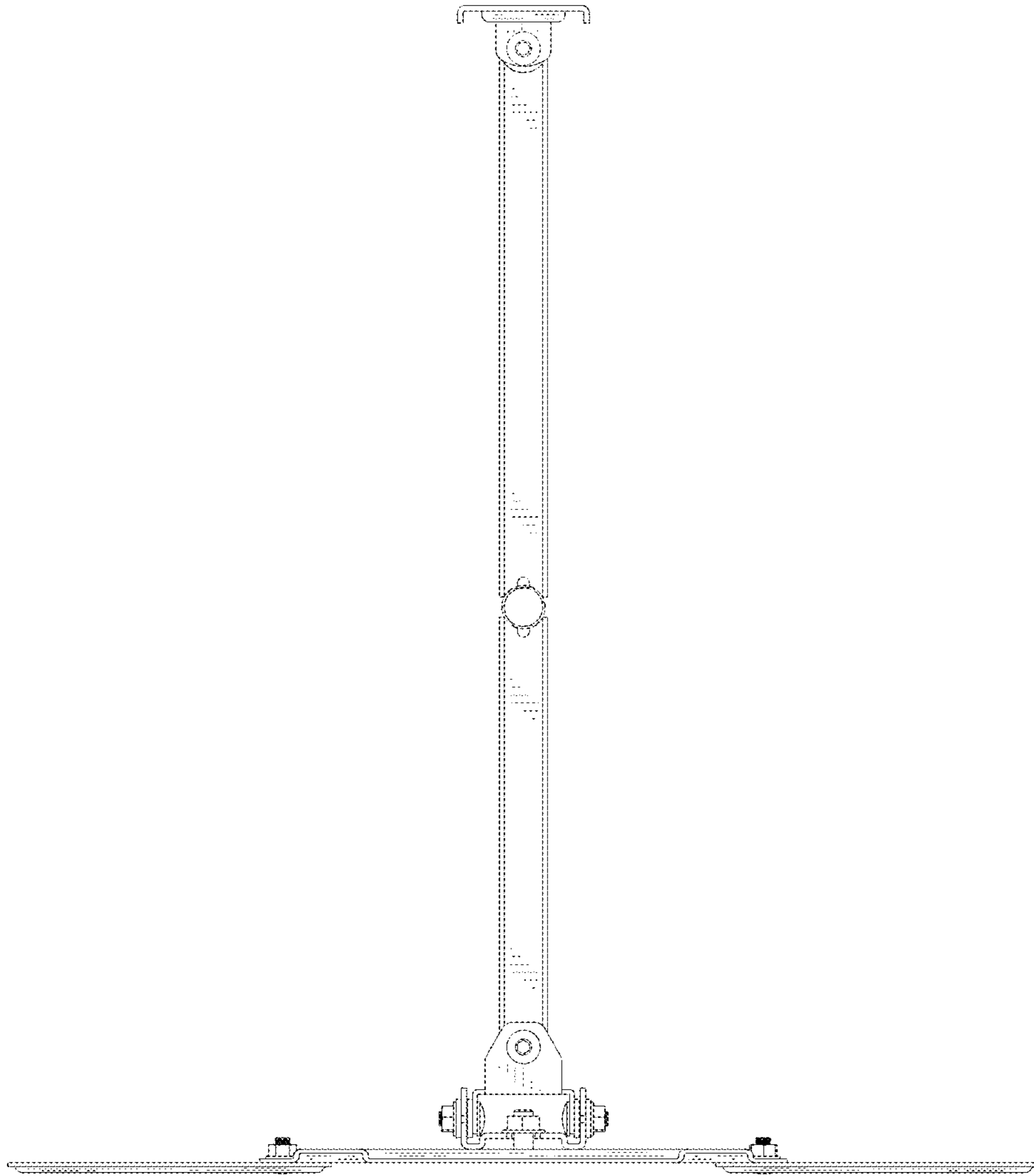


FIG. 6

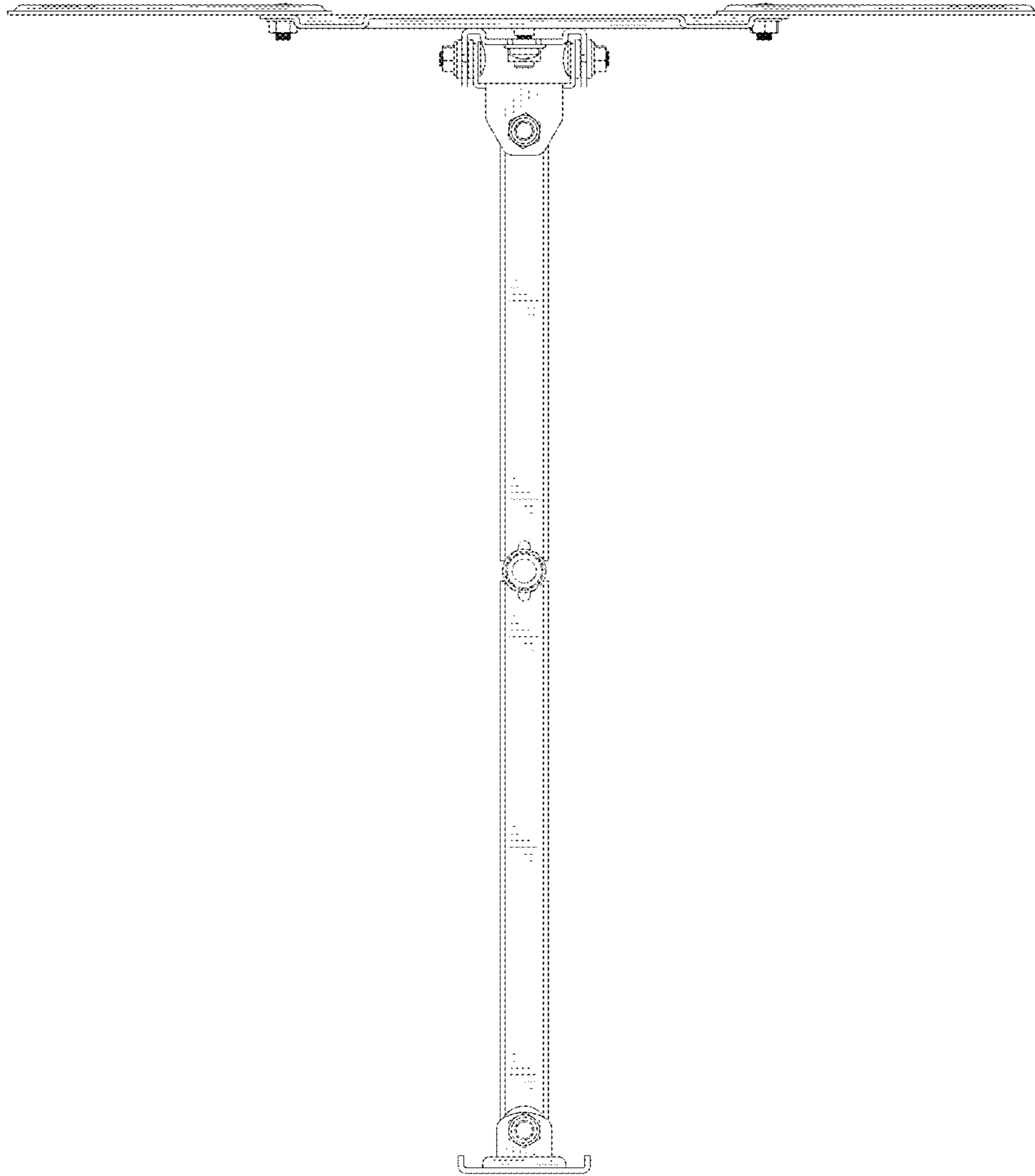


FIG. 7