



US00D936044S

(12) **United States Design Patent** (10) **Patent No.:** **US D936,044 S**
Feng (45) **Date of Patent:** **** Nov. 16, 2021**

(54) **DISPLAY MOUNT**

D912,022 S * 3/2021 Lyu D14/239
2019/0390817 A1* 12/2019 Pei F16M 11/10
2020/0340614 A1* 10/2020 Pei F16M 11/2092

(71) Applicant: **Shenzhen Bestqi Innovation Technology Co., Ltd, Shenzhen (CN)**

FOREIGN PATENT DOCUMENTS

(72) Inventor: **Keni Feng, Shenzhen (CN)**

CN 304630285 * 5/2018
CN 304858016 * 10/2018
CN 304874907 * 11/2018

(**) Term: **15 Years**

(21) Appl. No.: **29/758,428**

OTHER PUBLICATIONS

(22) Filed: **Nov. 16, 2020**

Amazon. Link: https://www.amazon.com/USX-MOUNT-TVs-Fits-600x400mm-Weight-Capacity/dp/B07CXF452P/ref=psdc_760796_t2_B088R5G827. May 8, 2018. USX Mount Full Motion TV Wall Mount. (Year: 2018).*

(51) **LOC (13) Cl.** **14-03**

(52) **U.S. Cl.**
USPC **D14/239**

(Continued)

(58) **Field of Classification Search**
USPC D14/239, 371, 372, 373, 374, 375, 376, D14/377, 447-452, 125, 127, 128, 129, D14/335-337, 341, 126; D8/355, 363, D8/373; D6/672, 682
CPC F16M 11/2085; F16M 11/2092; F16M 11/2007; F16M 11/2014; F16M 11/2021; F16M 11/105; F16M 11/048; F16M 11/12; F16M 13/022; F16M 11/10

Primary Examiner — Lauren D McVey
(74) *Attorney, Agent, or Firm* — W&K IP

(57) **CLAIM**

The ornamental design for a display mount, as shown and described.

See application file for complete search history.

DESCRIPTION

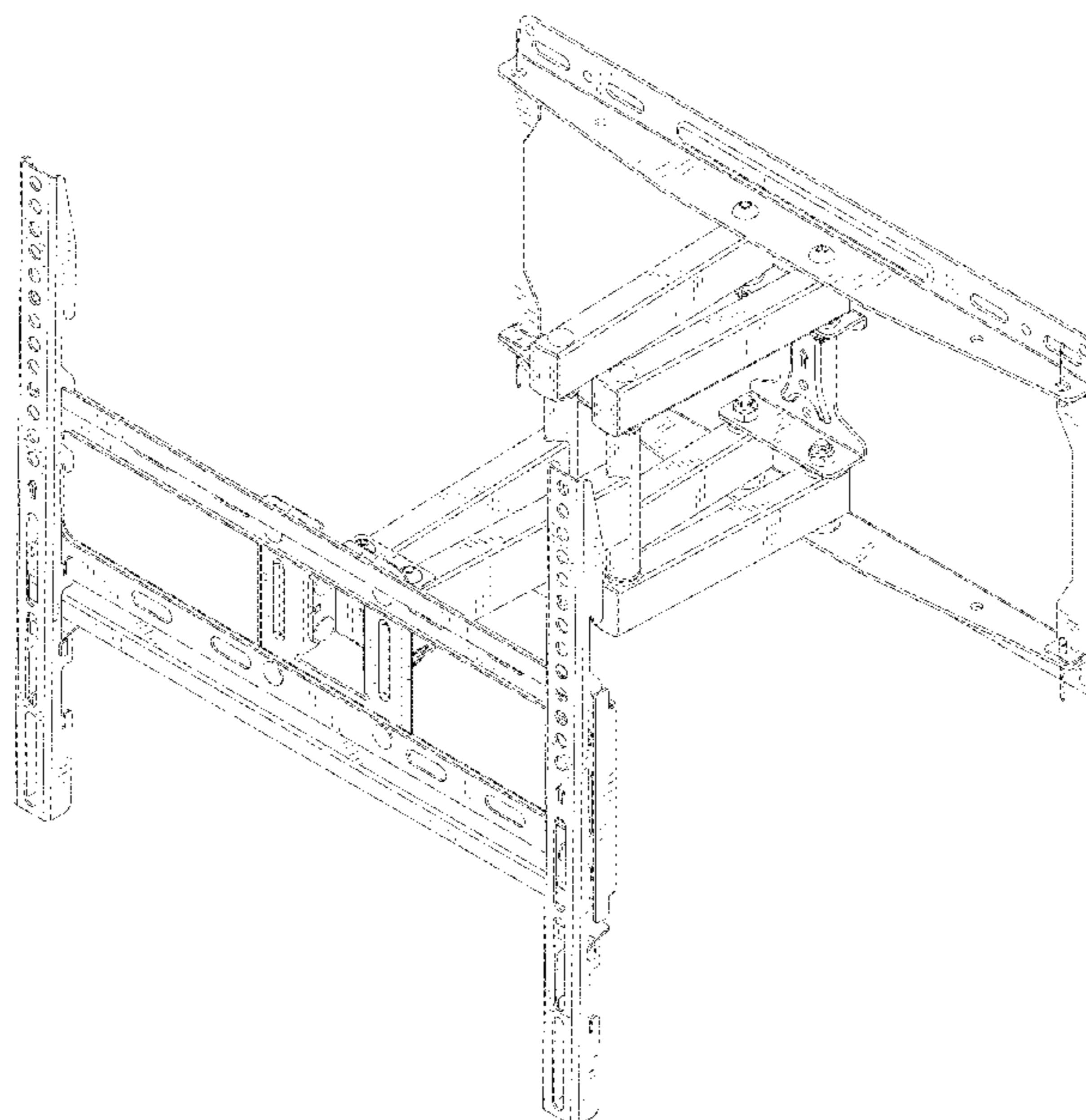
(56) **References Cited**

FIG. 1 is a perspective view of a display mount showing my new design;
FIG. 2 is a front view thereof;
FIG. 3 is a rear view thereof;
FIG. 4 is a left side view thereof;
FIG. 5 is a right side view thereof;
FIG. 6 is a top plan view thereof; and,
FIG. 7 is a bottom plan view thereof.
The broken lines immediately adjacent to the shaded areas depict the bounds of the claimed design, while all other broken lines are directed to environment. The broken lines form no part of the claimed design. The wire frame lines shown throughout the views indicate surface contour.

U.S. PATENT DOCUMENTS

D561,562 S 2/2008 Wohlford et al.
D595,299 S 6/2009 Bures
D677,263 S * 3/2013 Luijben D14/451
D811,375 S * 2/2018 Pei D14/239
D811,376 S * 2/2018 Pei D14/239
D836,617 S * 12/2018 Shu D14/239
D852,790 S * 7/2019 Pei D14/239
D858,493 S * 9/2019 Pei D14/239
D888,027 S * 6/2020 Pei D14/239
D904,360 S * 12/2020 Pei D14/239
D907,018 S * 1/2021 Pei D14/239
D911,320 S * 2/2021 Lyu D14/239

1 Claim, 7 Drawing Sheets



(56)

References Cited

OTHER PUBLICATIONS

Amazon. Link: https://www.amazon.com/dp/B08B4SLC9K/ref=emc_b_5_i. Jun. 13, 2020. Pipishell Full Motion TV Wall Mount Single Articulating Arms Height Adjustable Bracket. (Year: 2020).*

Amazon. Link: https://www.amazon.com/Perlegear-Articulating-Extension-Rotation-400x400mm/dp/B088R5G827/ref=sr_1_1?dchild=1&keywords=PGMFK9+perlegear&qid=1616441126&sr=8-1. May 18, 2020. Perlegear Full Motion TV Wall Mount Bracket. (Year: 2020).*

Amazon. Link: https://www.amazon.com/Articulating-Extension-Rotation-600x400mm-Pipishell/dp/B08JZ6FKKY/ref=sr_1_1?dchild=1&keywords=B08JZ6FKKY&qid=1616523956&s=electronics&sr=1-1. Dec. 23, 2020. Pipishell Full Motion TV Wall Mount Single Articulating Arms Height Adjustable Bracket. (Year: 2020).*

* cited by examiner

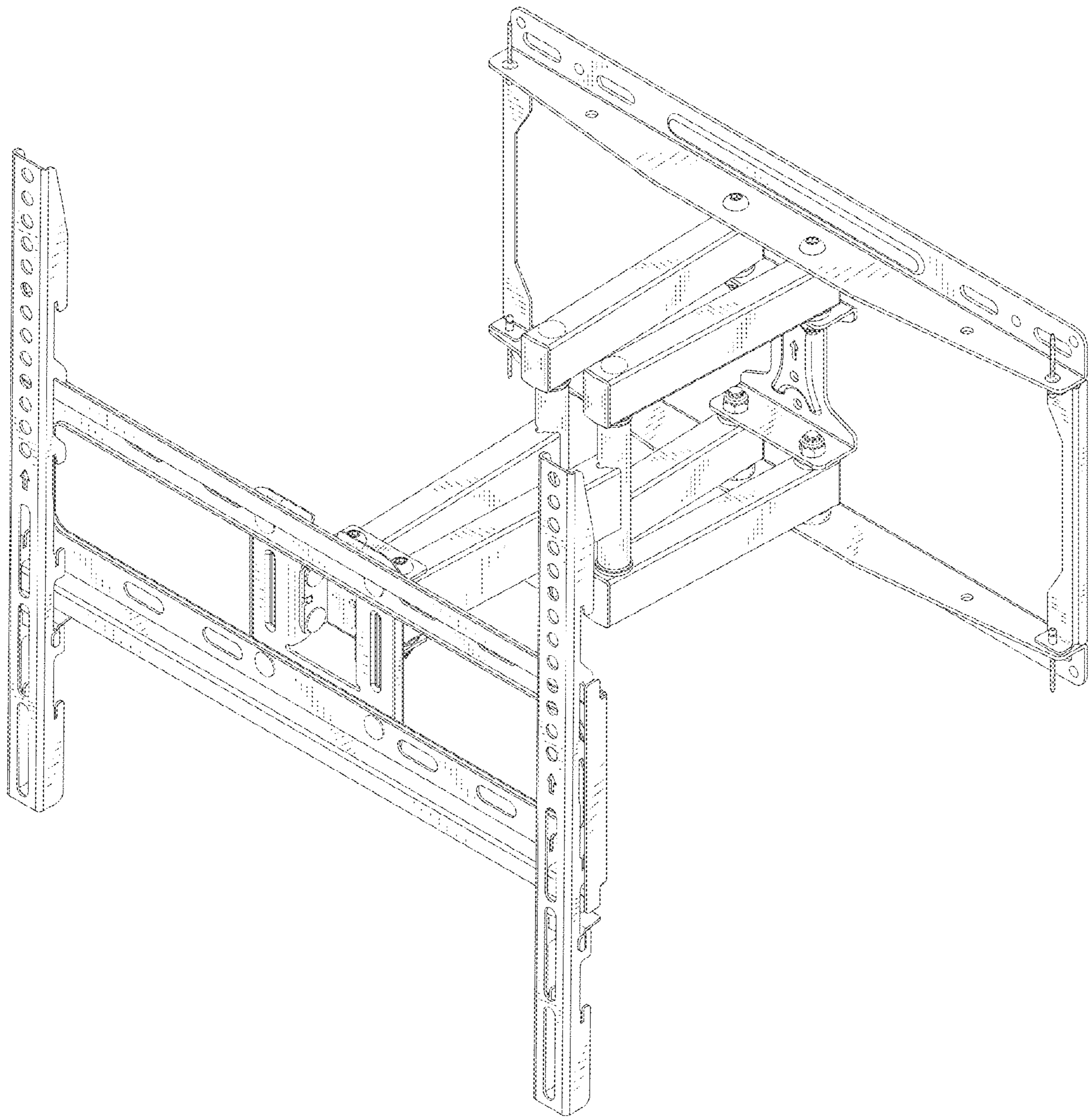


FIG. 1

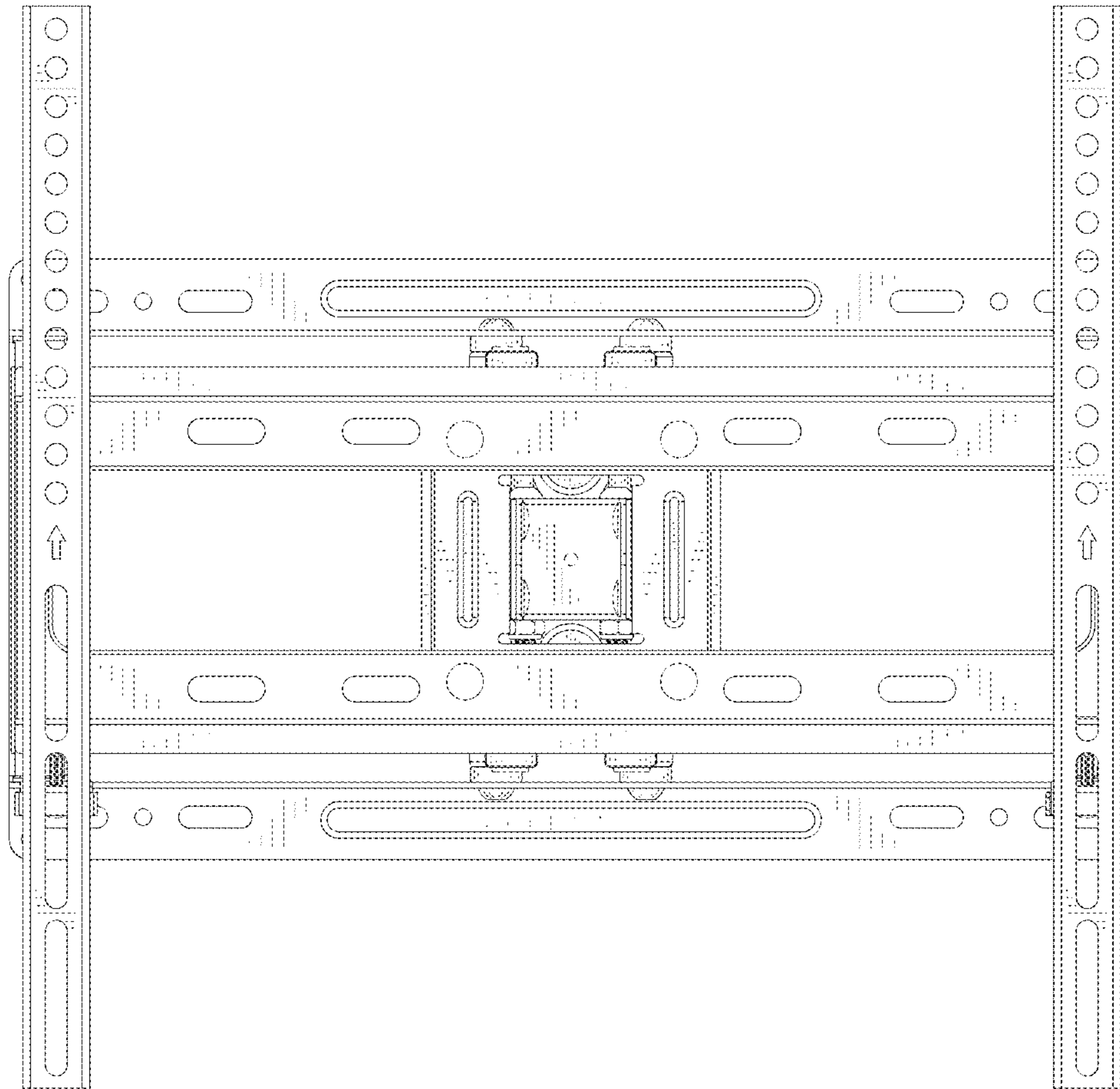


FIG. 2

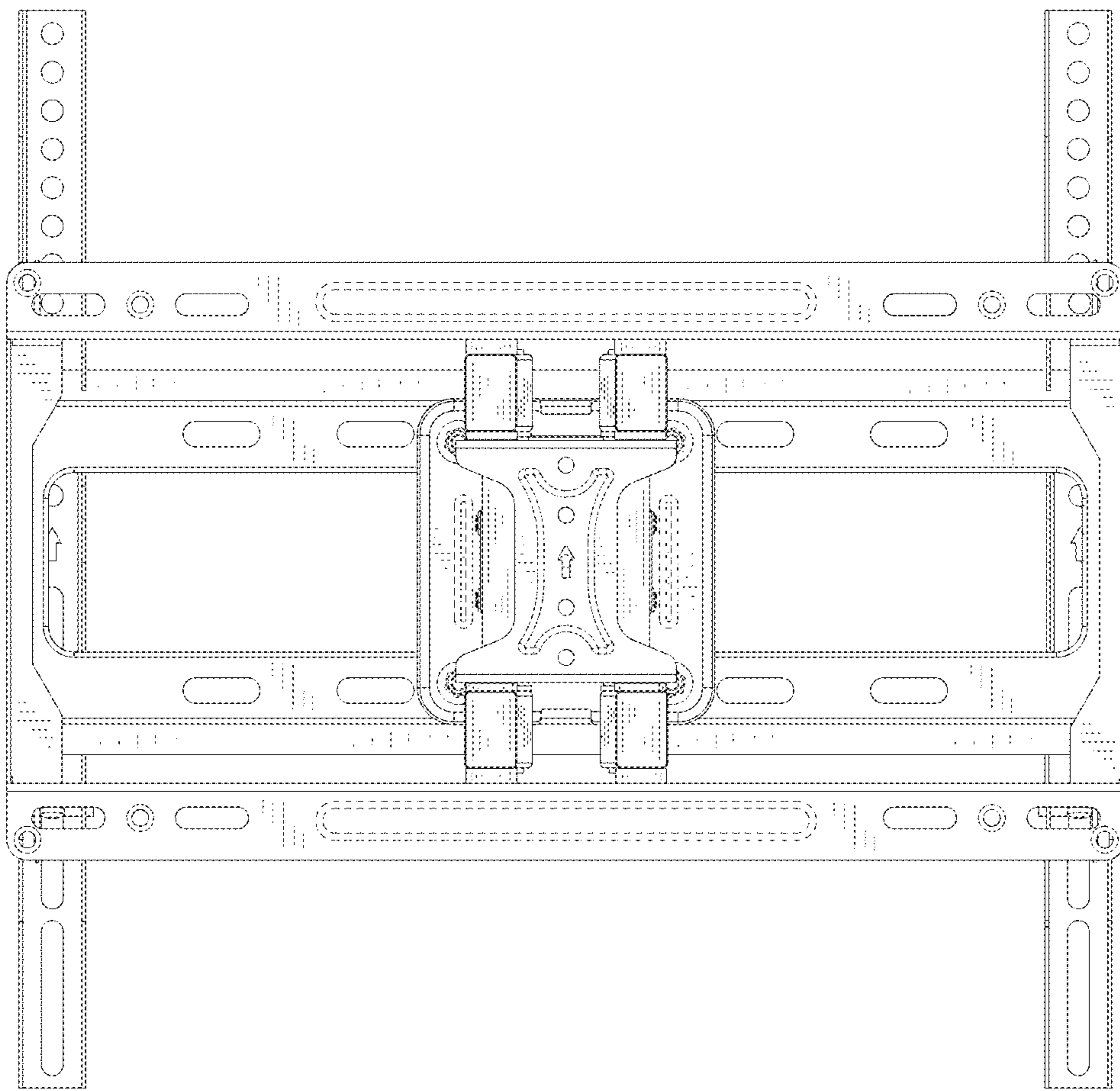


FIG. 3

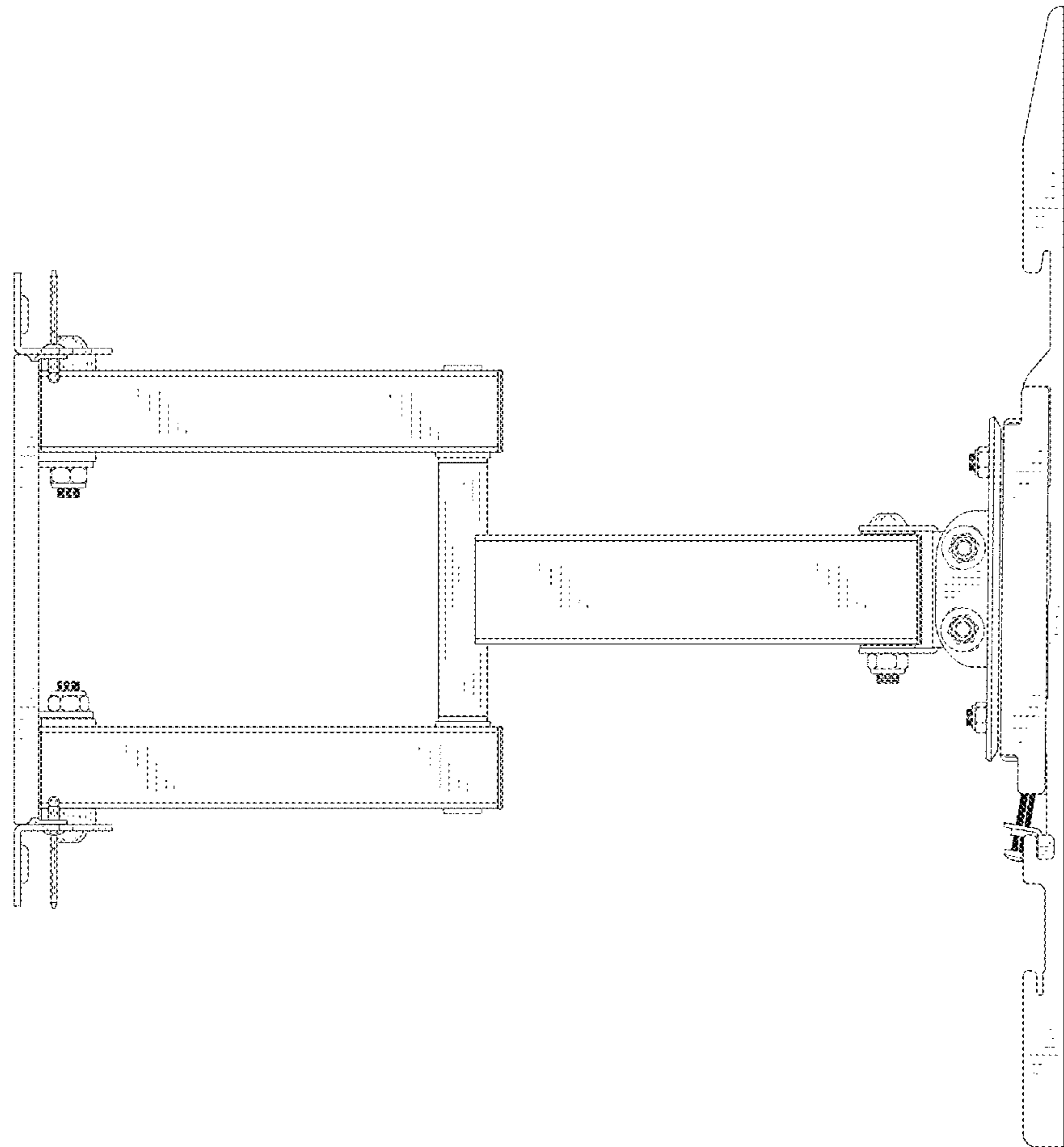


FIG. 4

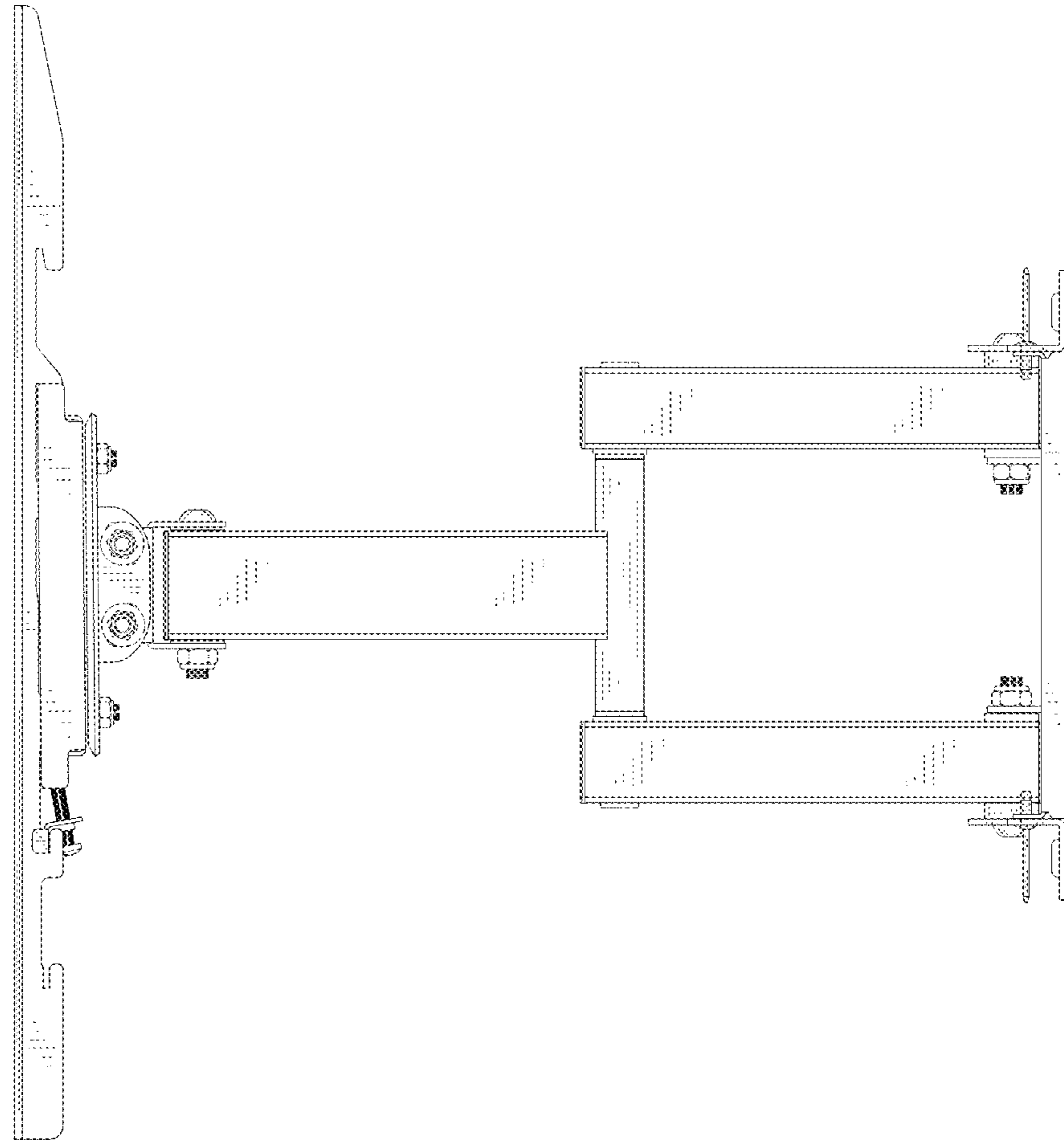


FIG.5

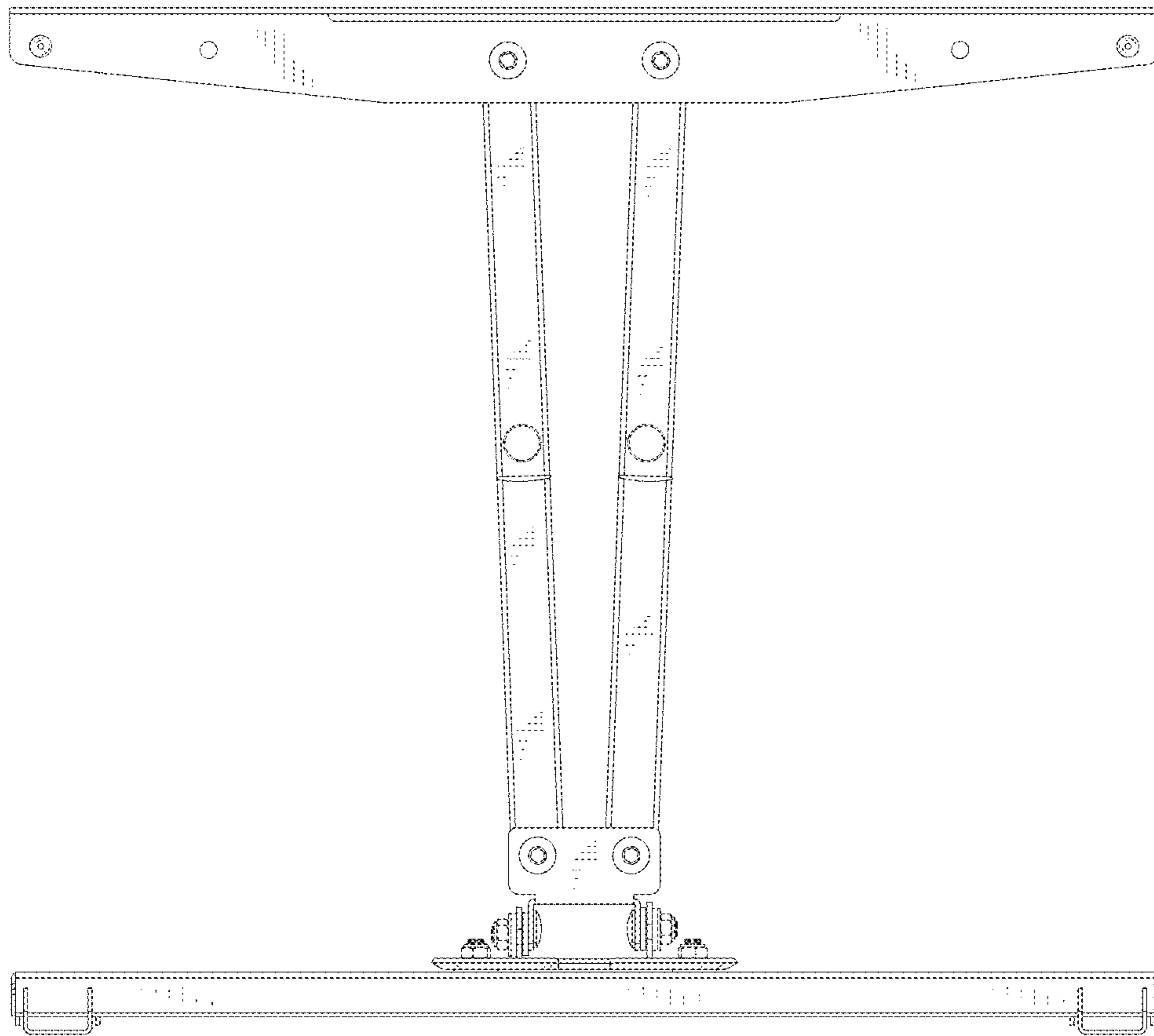


FIG. 6

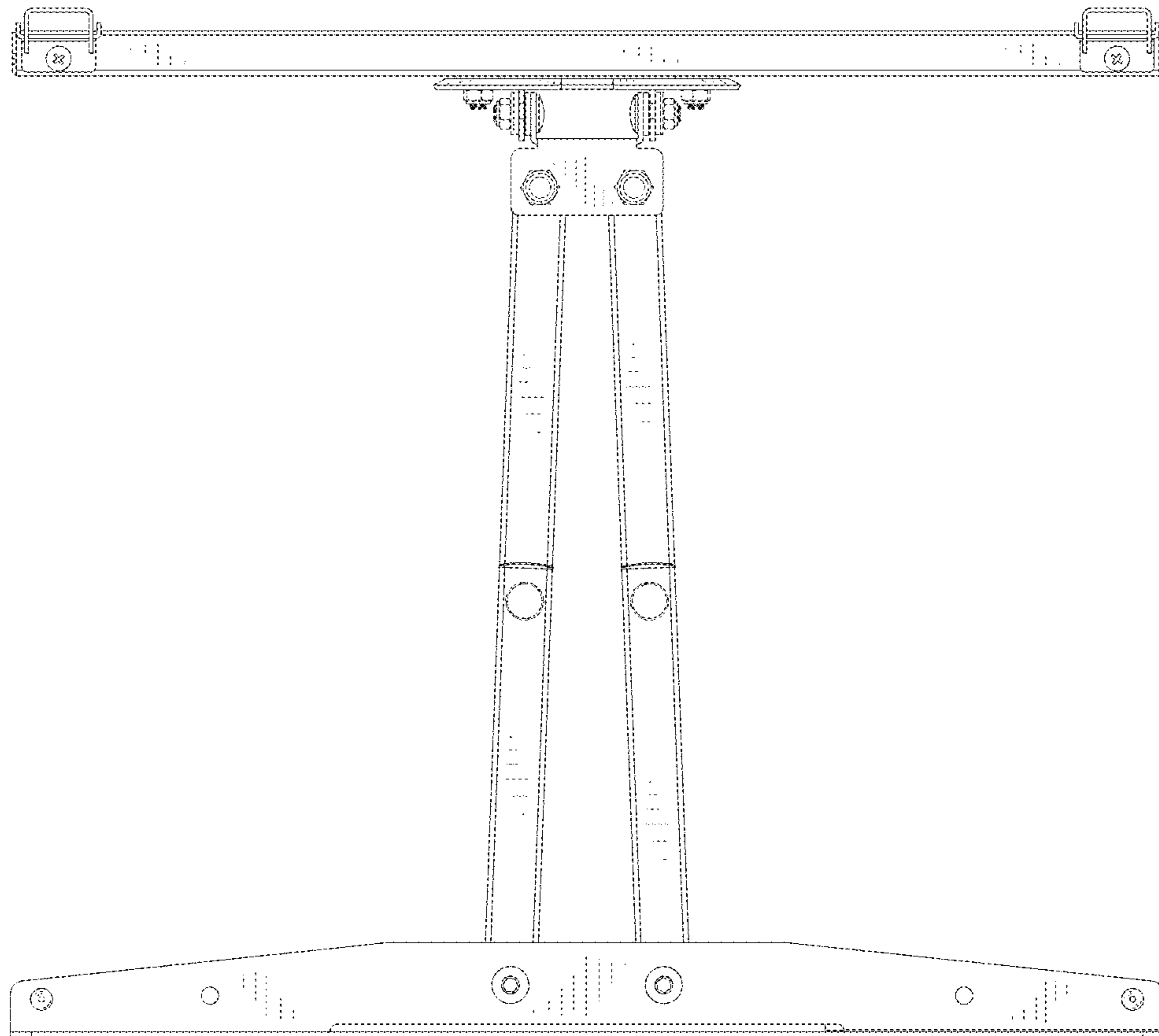


FIG. 7