



US00D936043S

(12) **United States Design Patent**  
**Zhang**

(10) **Patent No.:** **US D936,043 S**

(45) **Date of Patent:** **\*\* Nov. 16, 2021**

(54) **DISPLAY MOUNT**

(71) Applicant: **Shenzhen Prime Technology Co., Ltd,**  
Shenzhen (CN)

(72) Inventor: **Yuanming Zhang,** Shenzhen (CN)

(\*\*) Term: **15 Years**

(21) Appl. No.: **29/749,750**

(22) Filed: **Sep. 9, 2020**

(51) **LOC (13) Cl.** ..... **14-03**

(52) **U.S. Cl.**  
USPC ..... **D14/239; D14/451**

(58) **Field of Classification Search**  
USPC ..... D8/354, 349, 355, 363, 373, 380, 387,  
D8/388, 389; D20/22, 27, 42, 43;  
D14/452, 451, 448, 447, 239  
CPC ..... H05K 5/0204; H05K 7/14; F16M 13/02;  
H04N 5/655; H04N 5/64; G06F 1/1601;  
G06F 1/16; A45F 5/00; A45F 5/021;  
A45F 200/0516; A45F 2200/0508; A45F  
2200/0525  
See application file for complete search history.

(56) **References Cited**

**U.S. PATENT DOCUMENTS**

D538,632 S 3/2007 Ly Hau et al.  
D553,125 S \* 10/2007 Ly Hau ..... D14/239  
D561,562 S 2/2008 Wohlford et al.  
D614,611 S \* 4/2010 Leung ..... D14/239

D643,421 S \* 8/2011 Russell ..... D14/239  
9,829,151 B1 \* 11/2017 Stenhouse ..... F16M 13/02  
D848,989 S \* 5/2019 Pei ..... D14/239  
D858,493 S \* 9/2019 Pei ..... D14/239  
D877,743 S \* 3/2020 Pei ..... D14/451  
D907,018 S \* 1/2021 Pei ..... D14/239  
D911,320 S \* 2/2021 Lyu ..... D14/239  
D912,028 S \* 3/2021 Shu ..... D14/239  
D915,365 S \* 4/2021 Lu ..... D14/239  
D918,189 S \* 5/2021 Lu ..... D14/239  
D918,881 S \* 5/2021 Lu ..... D14/239  
D925,508 S \* 7/2021 Lyu ..... D14/239

\* cited by examiner

*Primary Examiner* — Keli L Hill

*Assistant Examiner* — Harold E Blackwell, II

(74) *Attorney, Agent, or Firm* — W&KIP

(57) **CLAIM**

The ornamental design for a display mount, as shown and described.

**DESCRIPTION**

FIG. 1 is a perspective view of a display mount showing my new design;

FIG. 2 is a front view thereof;

FIG. 3 is a rear view thereof;

FIG. 4 is a left side view thereof;

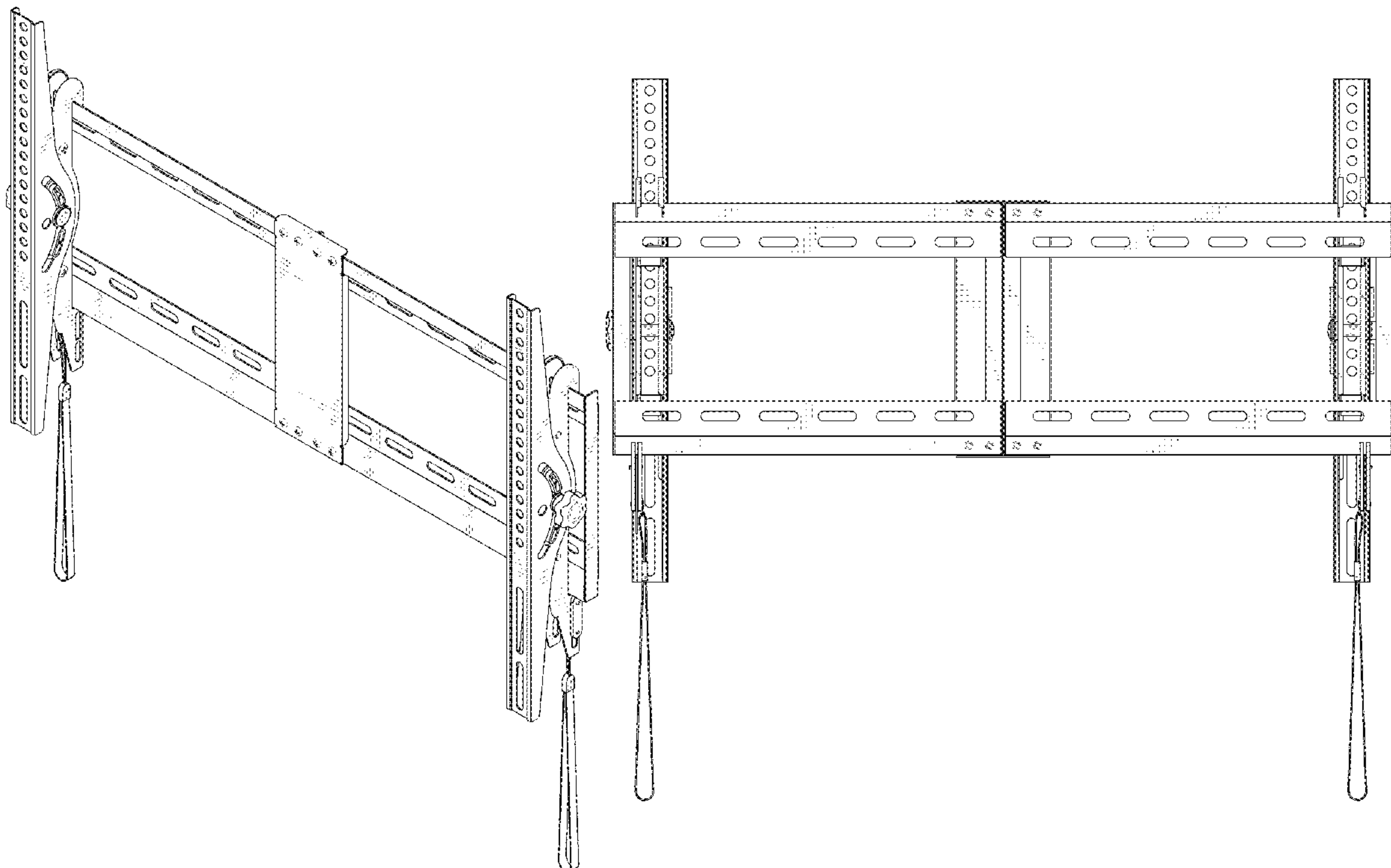
FIG. 5 is a right side view thereof;

FIG. 6 is a top plan view thereof; and,

FIG. 7 is a bottom plan view thereof.

The broken lines in FIGS. 1-7 illustrate portions of the display mount which form no part of the claimed design.

**1 Claim, 7 Drawing Sheets**



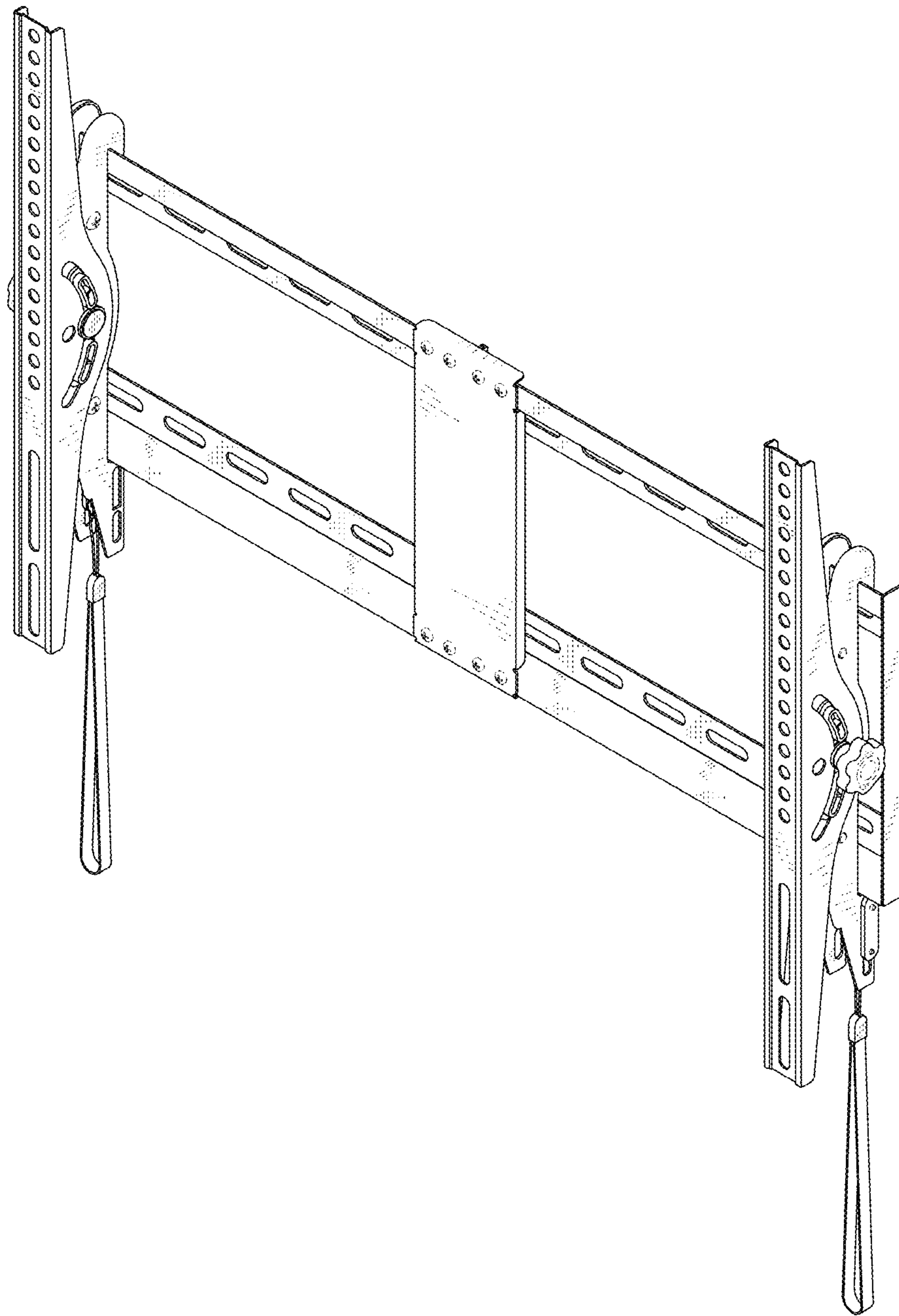


FIG.1

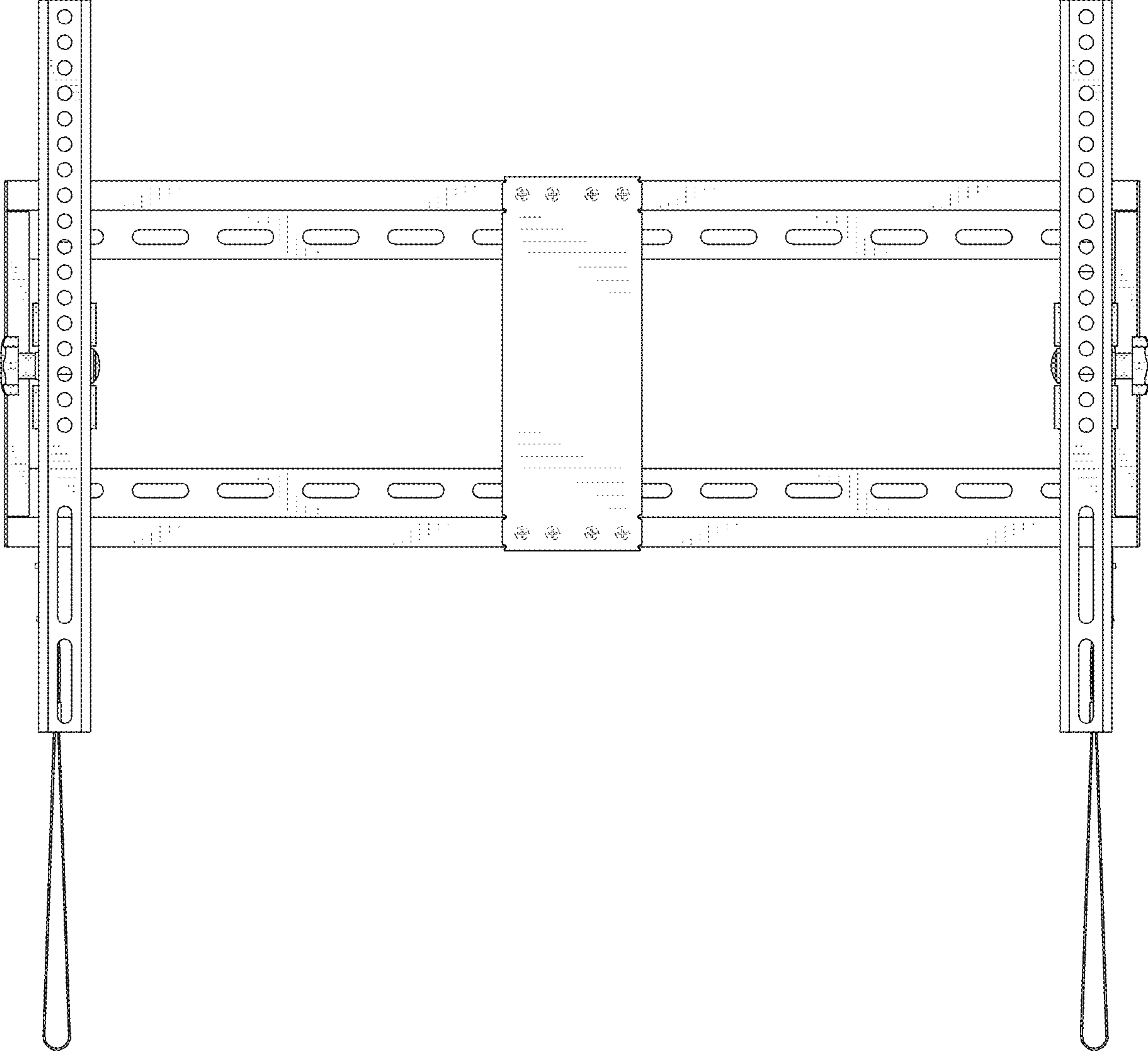


FIG. 2

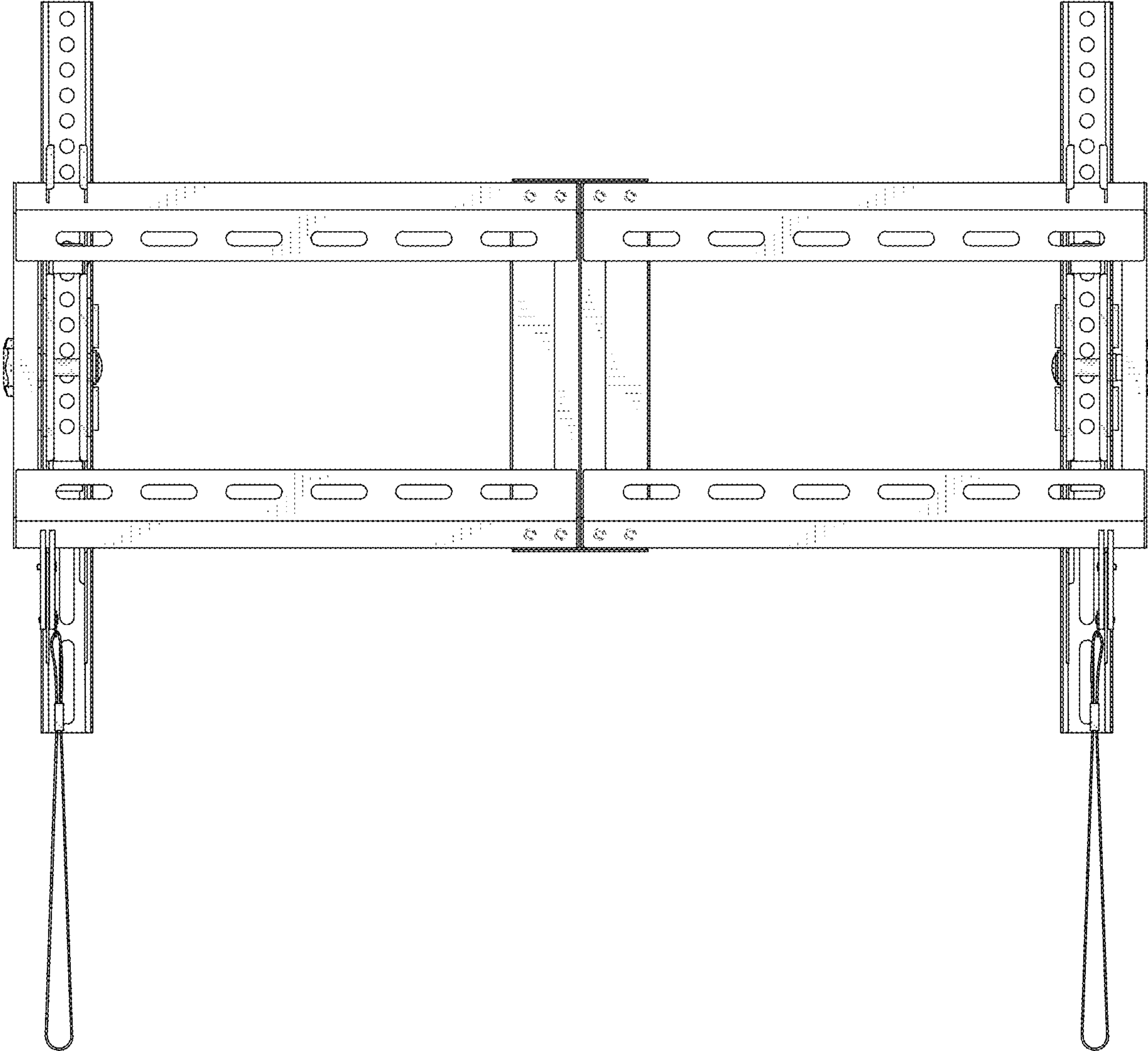


FIG. 3

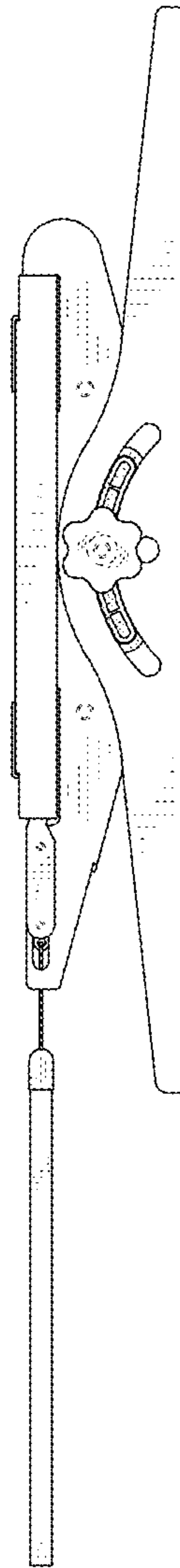


FIG. 4



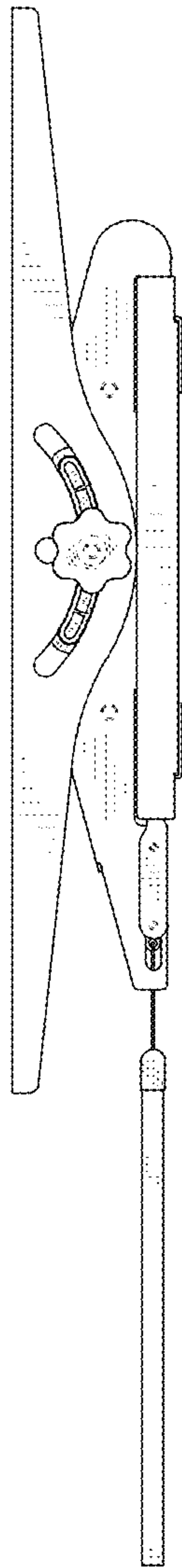


FIG. 5

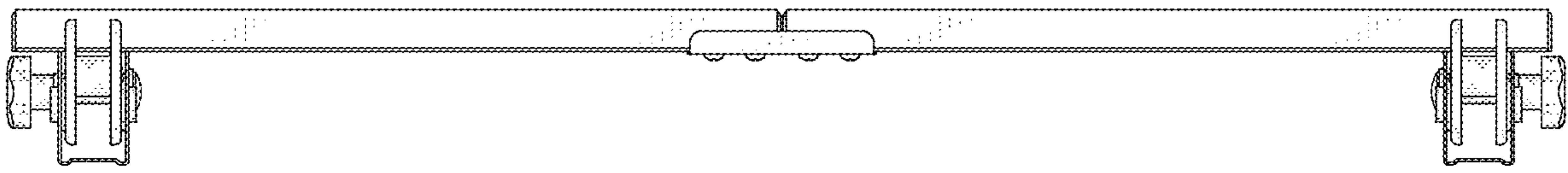


FIG. 6

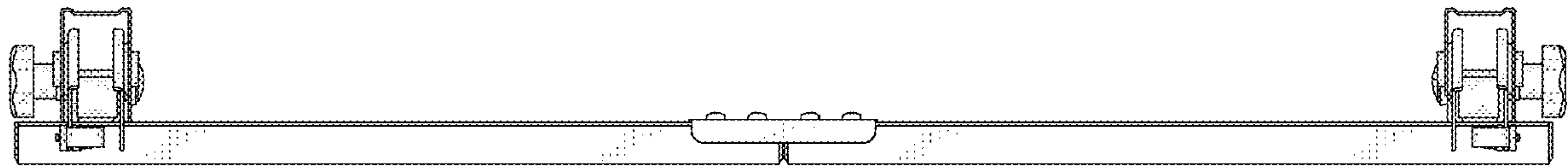


FIG. 7