



US00D936042S

(12) **United States Design Patent**  
**Yang**

(10) **Patent No.:** **US D936,042 S**

(45) **Date of Patent:** **\*\* Nov. 16, 2021**

(54) **COMBINED WIRELESS MICROPHONE AND TRANSMITTER SET**

(71) Applicant: **SHENZHEN CASPER ELECTRONIC TECHNOLOGY CO., LTD**, Shenzhen (CN)

(72) Inventor: **Haitao Yang**, Shenzhen (CN)

(73) Assignee: **SHENZHEN CASPER ELECTRONIC TECHNOLOGY CO., LTD**, Shenzhen (CN)

(\*\*) Term: **15 Years**

(21) Appl. No.: **29/776,792**

(22) Filed: **Mar. 31, 2021**

(51) **LOC (13) Cl.** ..... **14-01**

(52) **U.S. Cl.**  
USPC ..... **D14/226; D14/225**

(58) **Field of Classification Search**  
USPC ..... D14/226, 225, 227, 229, 150, 149, 188, D14/167, 159, 214, 217, 219, 221, 168, D14/238.1, 496, 501, 507, 191, 192, 194, D14/155, 137, 163; D13/168; D10/106.1; D9/431, 432; 381/380, 381; 361/679.23  
CPC ..... H04R 25/00; H04R 11/02; H04R 19/04; H04R 5/00; H05K 7/00; G06F 1/16; G11B 33/02

See application file for complete search history.

(56) **References Cited**

**U.S. PATENT DOCUMENTS**

D195,970 S	*	8/1963	Spillman	.....	D14/227
D209,337 S	*	11/1967	Dykes	.....	D9/414
D226,009 S	*	1/1973	Tominage	.....	D14/198
D234,958 S	*	4/1975	Kawano	.....	D14/164
D236,554 S	*	8/1975	Sands	.....	D6/632
D250,534 S	*	12/1978	Kato	.....	D14/198

(Continued)

**FOREIGN PATENT DOCUMENTS**

CN	306284679	*	1/2021
CN	306391160	*	3/2021

(Continued)

*Primary Examiner* — Paula Allen Greene

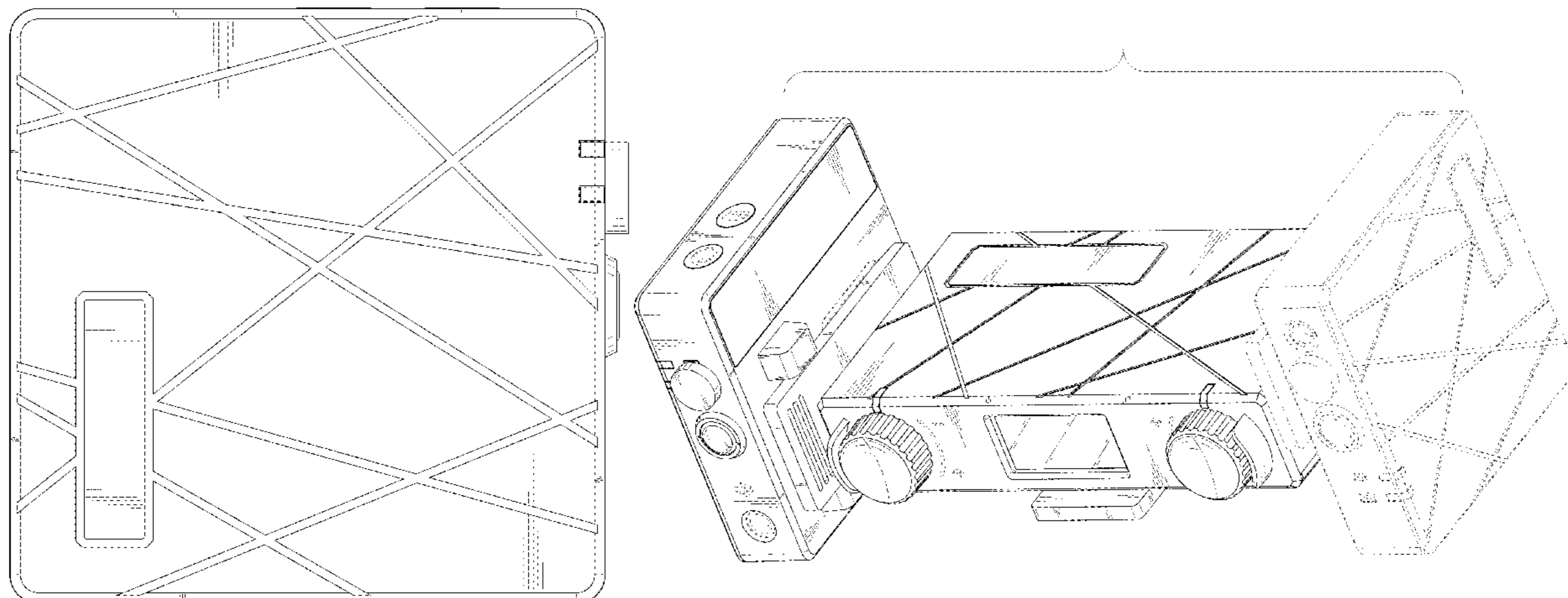
(57) **CLAIM**

The ornamental design for a combined wireless microphone and transmitter set, as shown and described.

**DESCRIPTION**

FIG. 1 is a perspective view of a wireless microphone of the combined wireless microphone and transmitter set shown separately for ease of illustration;  
 FIG. 2 is another perspective view thereof;  
 FIG. 3 is a front elevational view thereof;  
 FIG. 4 is a rear elevational view thereof;  
 FIG. 5 is a left side elevational view thereof;  
 FIG. 6 is a right side elevational view thereof;  
 FIG. 7 is a top plan view thereof;  
 FIG. 8 is a bottom plan view thereof;  
 FIG. 9 is a perspective view of a transmitter of the combined wireless microphone and transmitter set, shown separately for ease of illustration;  
 FIG. 10 is another perspective view thereof;  
 FIG. 11 is a front elevational view thereof;  
 FIG. 12 is a rear elevational view thereof;  
 FIG. 13 is a left side elevational view thereof;  
 FIG. 14 is a right side elevational view thereof;  
 FIG. 15 is a top plan view thereof;  
 FIG. 16 is a bottom plan view thereof; and,  
 FIG. 17 is a perspective view of the combined wireless microphone and transmitter set.  
 The broken lines in the drawings depict portions of the combined wireless microphone and transmitter set that form no part of the claimed design.

**1 Claim, 17 Drawing Sheets**



(56)

## References Cited

## U.S. PATENT DOCUMENTS

- |                 |         |               |                          |
|-----------------|---------|---------------|--------------------------|
| D251,783 S *    | 5/1979  | Orn           | D14/226                  |
| 4,169,624 A *   | 10/1979 | Yefsky        | B60K 37/04<br>296/37.12  |
| 4,372,509 A *   | 2/1983  | Krainhofer    | B60K 37/04<br>248/27.1   |
| 4,378,099 A *   | 3/1983  | Ikeda         | B60R 11/0205<br>248/27.3 |
| D277,002 S *    | 1/1985  | Genaro        | D14/149                  |
| 4,635,836 A *   | 1/1987  | Mooney        | A45F 5/02<br>224/247     |
| D293,088 S *    | 12/1987 | Brown         | D10/106.1                |
| 4,802,241 A *   | 1/1989  | Vickers       | A44B 99/00<br>224/162    |
| D304,942 S *    | 12/1989 | Kataoka       | D14/500                  |
| D308,361 S *    | 6/1990  | Nakamura      | D14/368                  |
| D310,082 S *    | 8/1990  | Kehl          | D14/225                  |
| D313,799 S *    | 1/1991  | Shim          | D14/135                  |
| D316,716 S *    | 5/1991  | Nagata        | D14/188                  |
| D323,499 S *    | 1/1992  | Bang          | D14/135                  |
| D324,864 S *    | 3/1992  | Hector        | D14/159                  |
| D328,747 S *    | 8/1992  | Ito           | D14/188                  |
| 5,214,794 A *   | 5/1993  | Wijnen        | G08B 3/1058<br>341/176   |
| D338,198 S *    | 8/1993  | Ogasawara     | D14/502                  |
| D341,593 S *    | 11/1993 | Chang         | D14/159                  |
| D343,395 S *    | 1/1994  | Kakizaki      | D14/188                  |
| 5,285,500 A *   | 2/1994  | Mantz         | H04B 1/20<br>381/120     |
| D352,275 S *    | 11/1994 | Crawley       | D13/122                  |
| D355,654 S *    | 2/1995  | Koulopoulos   | D14/188                  |
| D359,492 S *    | 6/1995  | Dyas          | D14/214                  |
| D369,168 S *    | 4/1996  | Yano          | D14/194                  |
| 5,519,572 A *   | 5/1996  | Luo           | G06F 1/181<br>360/99.18  |
| 5,812,369 A *   | 9/1998  | Hsu           | G06F 1/1616<br>361/679.6 |
| 5,825,408 A *   | 10/1998 | Yuyama        | H04N 5/772<br>348/14.01  |
| 5,953,302 A *   | 9/1999  | Kobayashi     | G11B 33/027<br>720/647   |
| D416,556 S *    | 11/1999 | Kizawa        | D14/507                  |
| D417,871 S *    | 12/1999 | Hisatsune     | D14/188                  |
| D437,311 S *    | 2/2001  | Nam           | D14/227                  |
| D451,083 S *    | 11/2001 | Ito           | D14/168                  |
| D454,122 S *    | 3/2002  | Hori          | D14/132                  |
| D466,875 S *    | 12/2002 | Kita          | D14/125                  |
| D528,104 S *    | 9/2006  | Kimura        | D14/227                  |
| D537,435 S *    | 2/2007  | Oikawa        | D14/188                  |
| D554,149 S *    | 10/2007 | Kim           | D14/496                  |
| D560,689 S *    | 1/2008  | Cho           | D14/188                  |
| D563,385 S *    | 3/2008  | Skurdal       | D14/214                  |
| D588,559 S *    | 3/2009  | Kim           | D14/125                  |
| D594,438 S *    | 6/2009  | Wada          | D14/149                  |
| D600,237 S *    | 9/2009  | Kwon          | D14/137                  |
| D602,888 S *    | 10/2009 | Cho           | D14/125                  |
| D602,889 S *    | 10/2009 | Cho           | D14/125                  |
| D604,723 S *    | 11/2009 | Bodley et al. |                          |
| D608,310 S *    | 1/2010  | Cho           | D14/125                  |
| D613,725 S *    | 4/2010  | Chen          | D14/194                  |
| D620,028 S *    | 7/2010  | Kim           | D14/496                  |
| D626,935 S *    | 11/2010 | Ohtani        | D14/192                  |
| D629,794 S *    | 12/2010 | Aarrestad     | D14/225                  |
| D635,530 S *    | 4/2011  | Sung          | D14/125                  |
| D644,211 S *    | 8/2011  | Hao           | D14/219                  |
| D649,524 S *    | 11/2011 | Miyazaki      | D14/167                  |
| D659,112 S *    | 5/2012  | Ryu           | D14/125                  |
| D661,281 S *    | 6/2012  | Mahaffy       | D14/206                  |
| D666,577 S *    | 9/2012  | Skurdal       | D14/171                  |
| D669,879 S *    | 10/2012 | Iijima        | D14/167                  |
| D676,075 S *    | 2/2013  | Ku            | D16/208                  |
| D677,565 S *    | 3/2013  | Barbieri      | D9/431                   |
| D679,263 S *    | 4/2013  | Yano          | D14/149                  |
| D705,748 S *    | 5/2014  | He            | D14/155                  |
| D707,651 S *    | 6/2014  | Tsai          | D14/191                  |
| D713,381 S *    | 9/2014  | Riggs         | D14/214                  |
| D716,772 S *    | 11/2014 | Cavero        | D14/225                  |
| D719,130 S *    | 12/2014 | Crane         | D14/195                  |
| D729,762 S *    | 5/2015  | Hu            | D14/194                  |
| D734,300 S *    | 7/2015  | Fujioka       | D14/214                  |
| D735,160 S *    | 7/2015  | Hinkel        | D14/159                  |
| D745,494 S *    | 12/2015 | Wise          | D14/227                  |
| D751,532 S *    | 3/2016  | Chen          | D14/225                  |
| D758,366 S *    | 6/2016  | Peng          | D14/363                  |
| D800,086 S *    | 10/2017 | Scherr        | D14/154                  |
| D803,193 S *    | 11/2017 | Meinertz      | D14/225                  |
| D839,240 S *    | 1/2019  | Vinyard       | D14/217                  |
| D848,984 S *    | 5/2019  | Ohashi        | D14/225                  |
| 10,284,937 B2 * | 5/2019  | Nakatsukasa   | H04R 1/025               |
| D887,556 S *    | 6/2020  | Lockenwitz    | D24/173                  |
| D894,161 S *    | 8/2020  | Ye            | D14/225                  |
| D916,678 S *    | 4/2021  | Du            | D14/155                  |
| D917,431 S *    | 4/2021  | Gao           | D14/225                  |
| D923,603 S *    | 6/2021  | Ming          | D14/214                  |
| D925,504 S *    | 7/2021  | Wang          | D14/225                  |

## FOREIGN PATENT DOCUMENTS

- |    |                |   |        |
|----|----------------|---|--------|
| CN | 306432027      | * | 4/2021 |
| CN | 306521405      | * | 5/2021 |
| CN | 306611897      | * | 6/2021 |
| CN | 306654630      | * | 7/2021 |
| CN | 306768848      | * | 8/2021 |
| EM | 008511240-0001 | * | 4/2021 |

\* cited by examiner

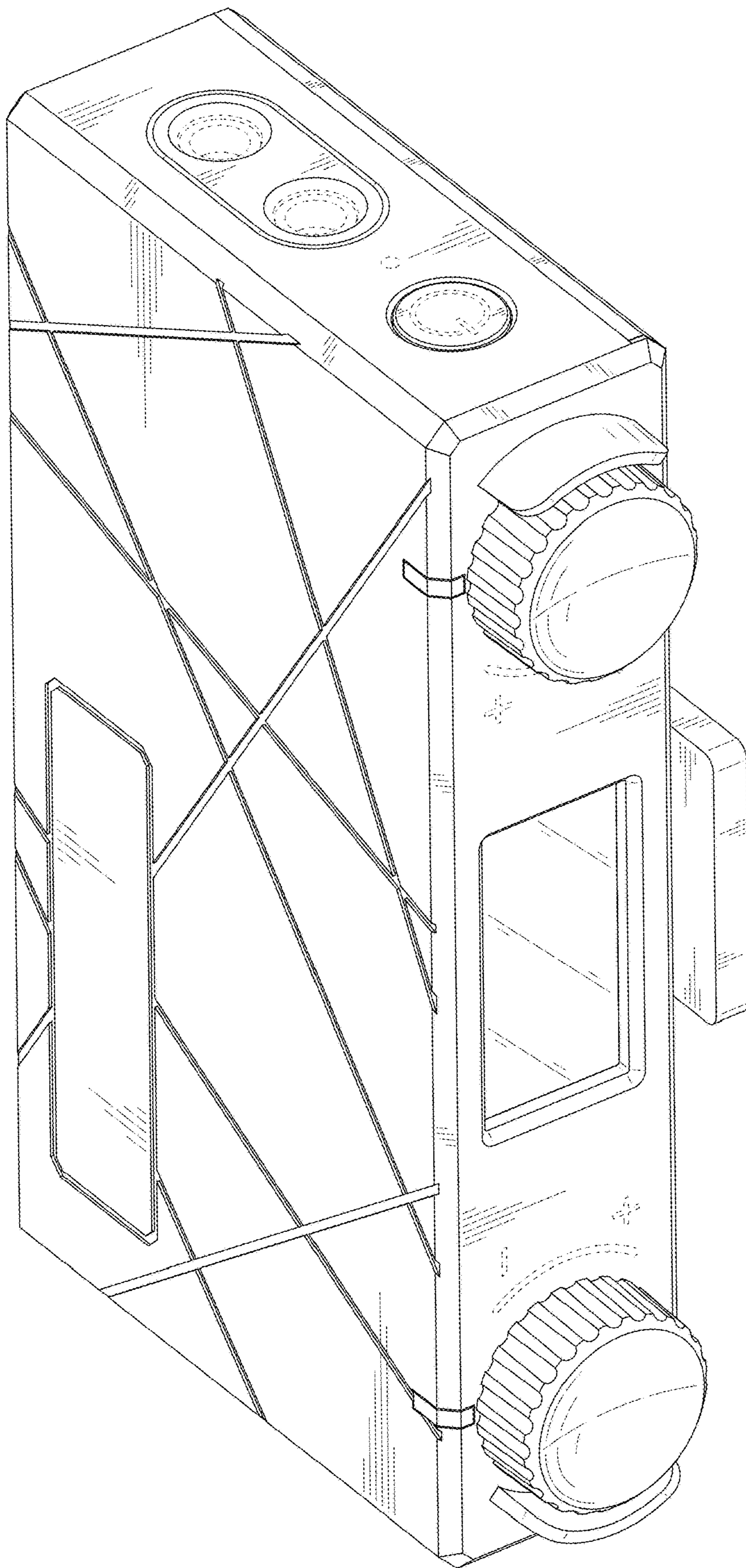


FIG. 1

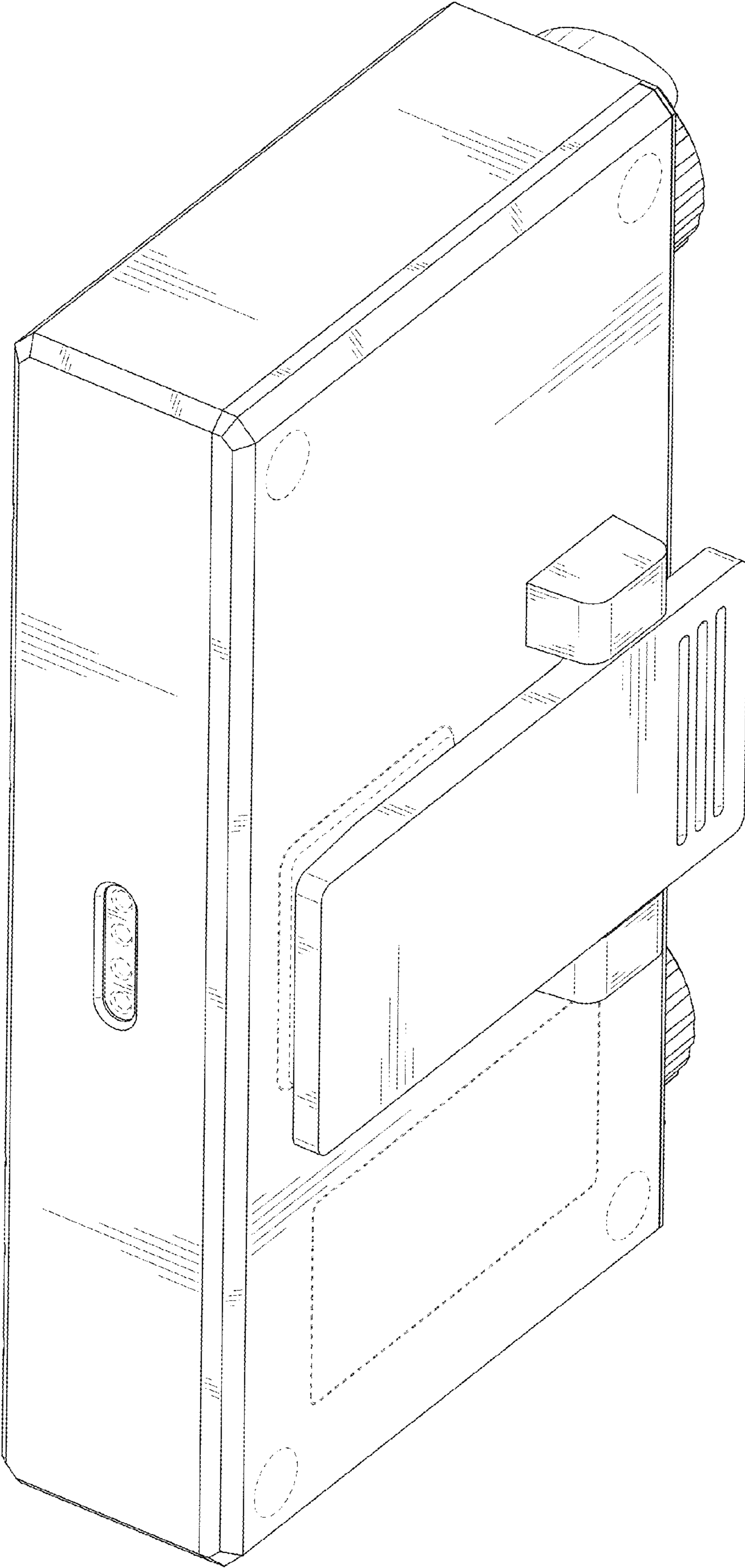


FIG. 2

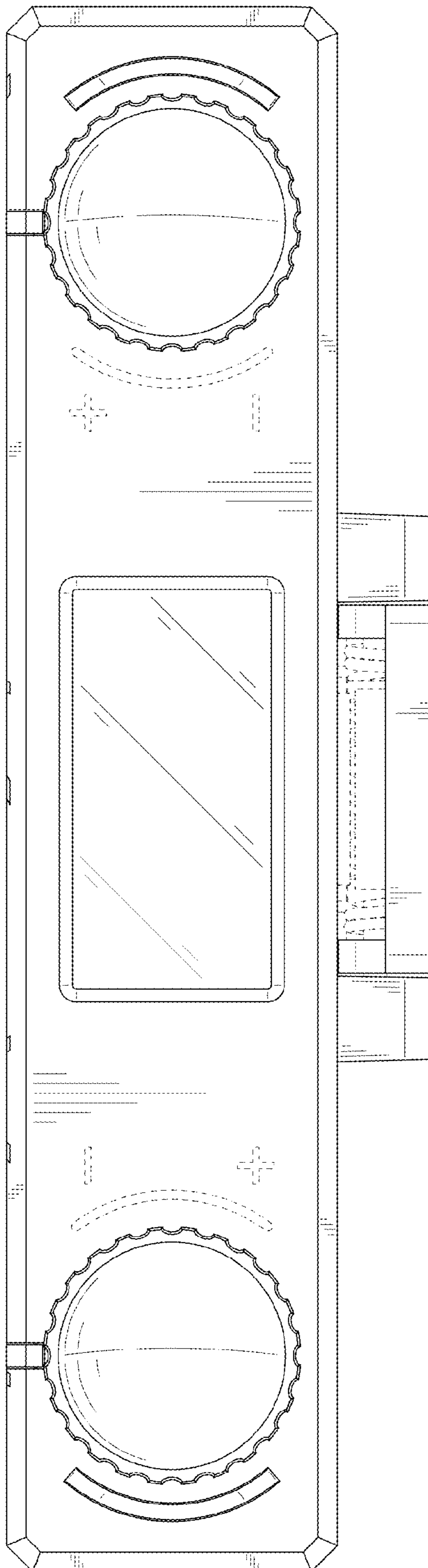


FIG. 3

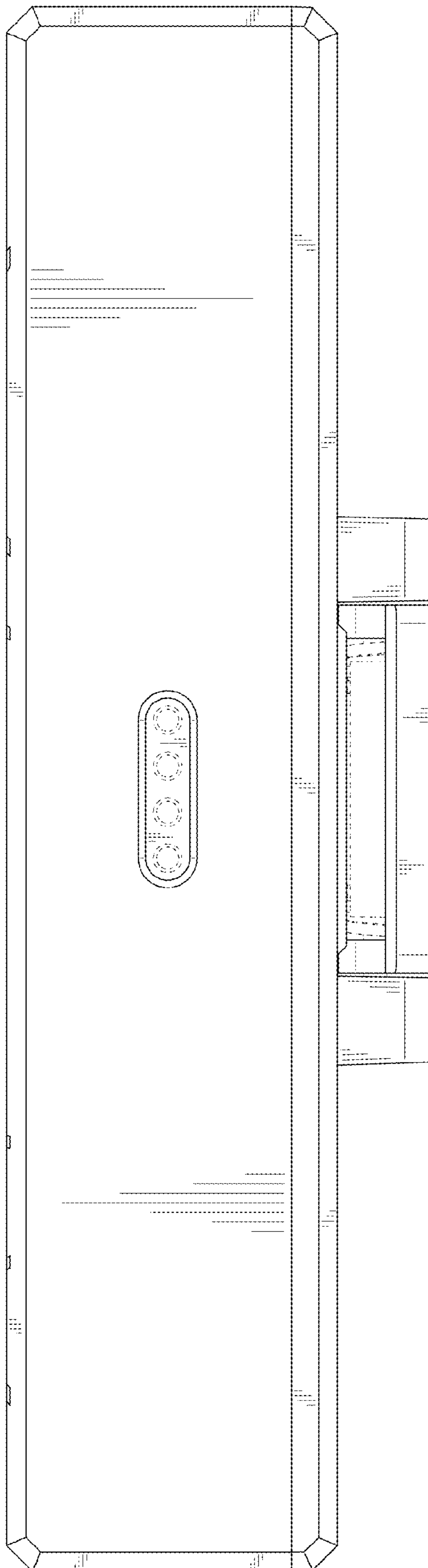


FIG. 4

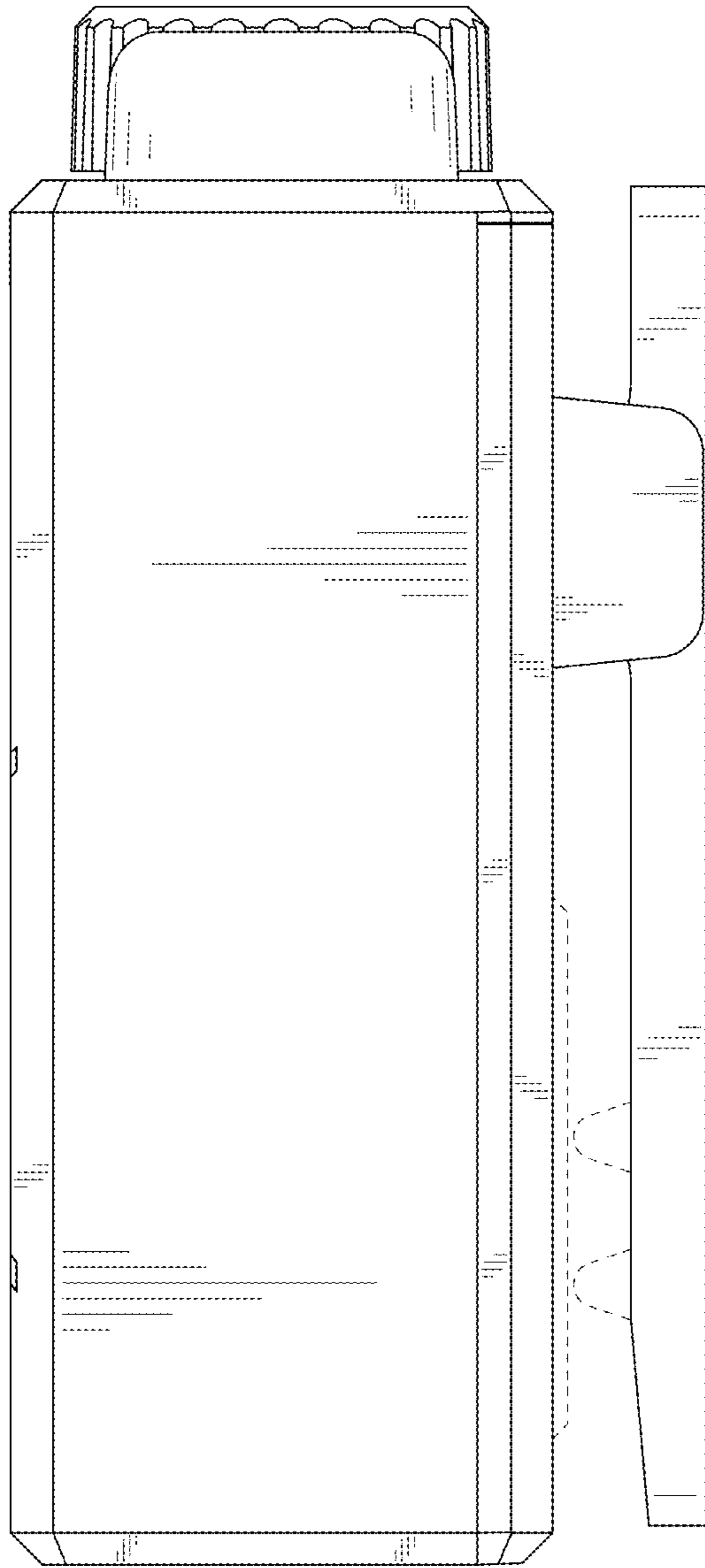


FIG. 5

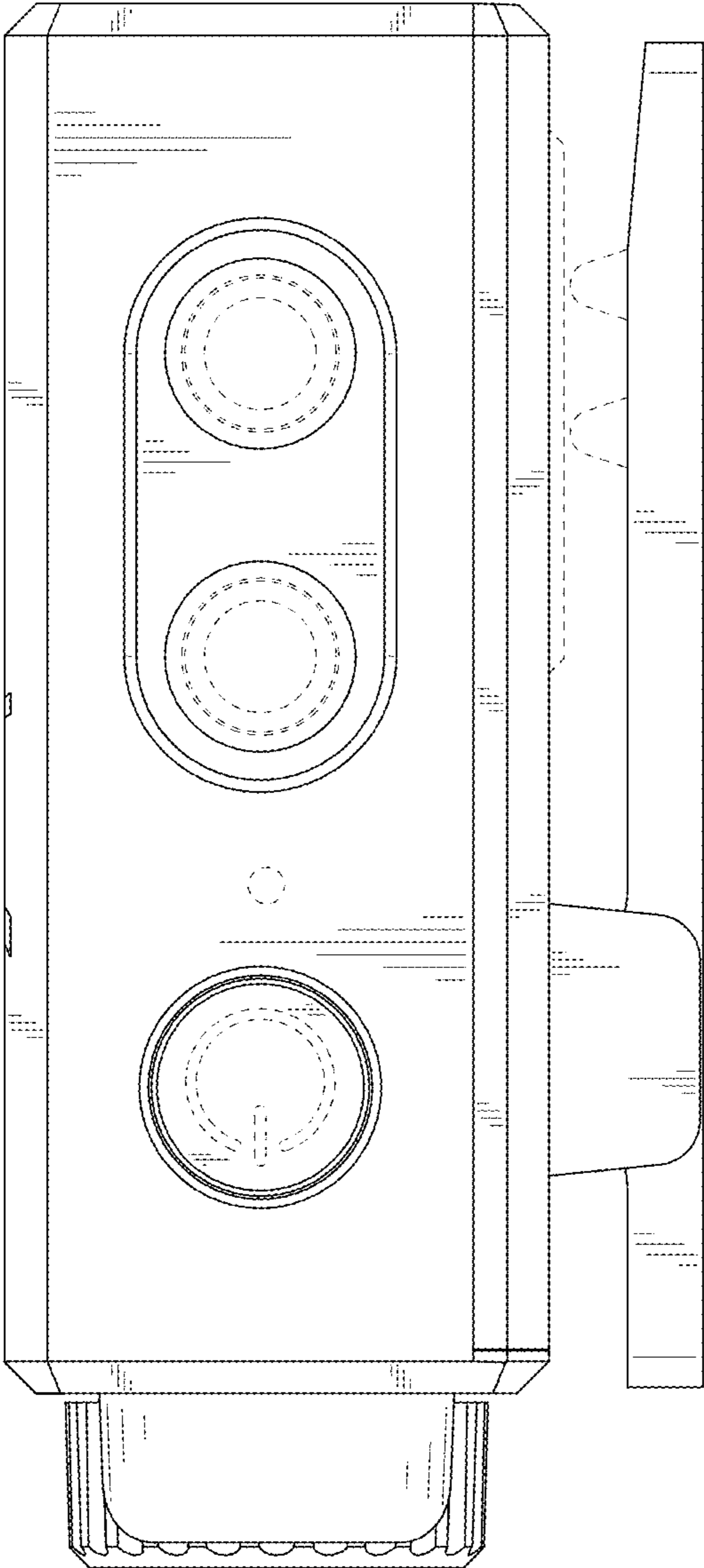


FIG. 6



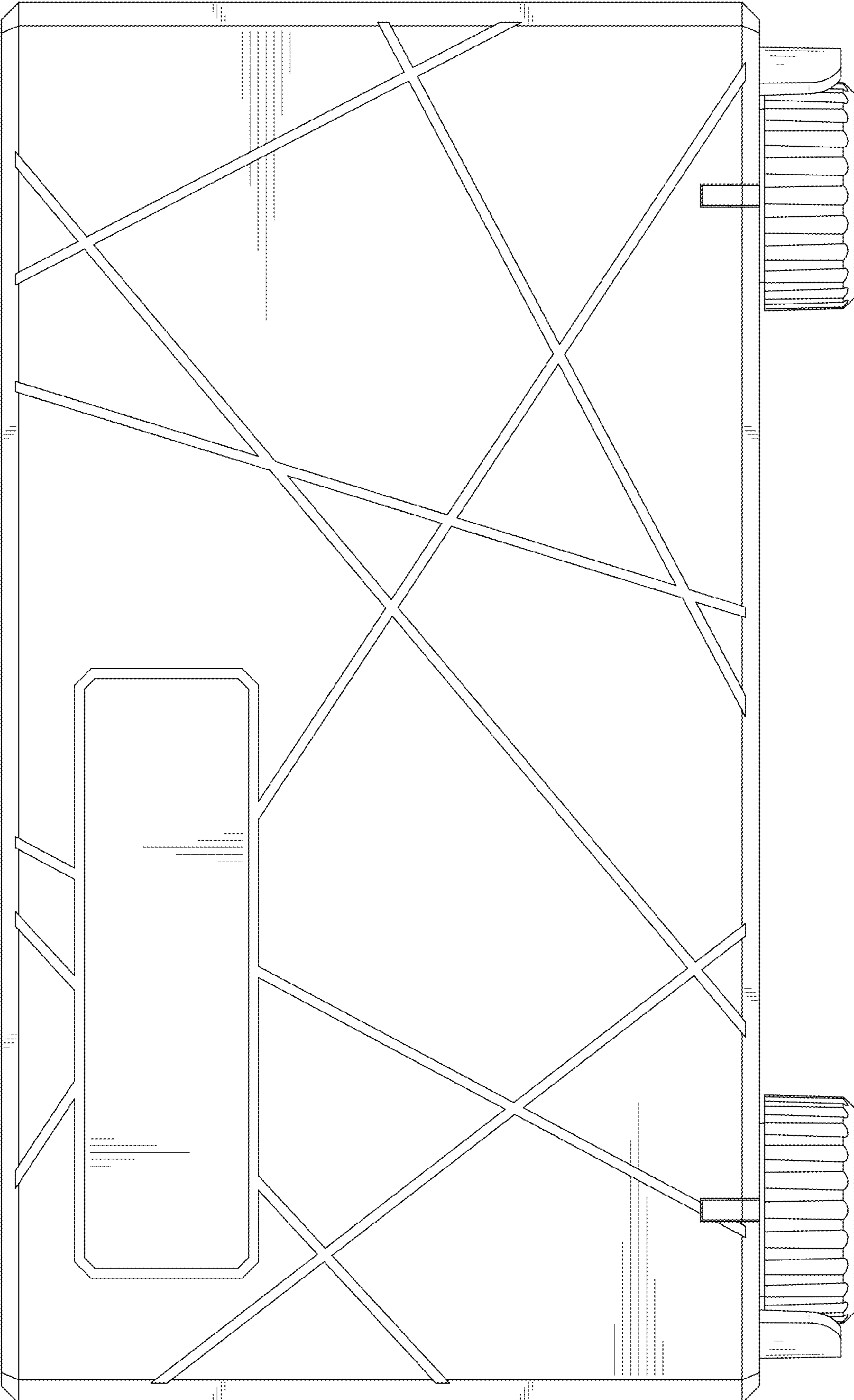


FIG. 7

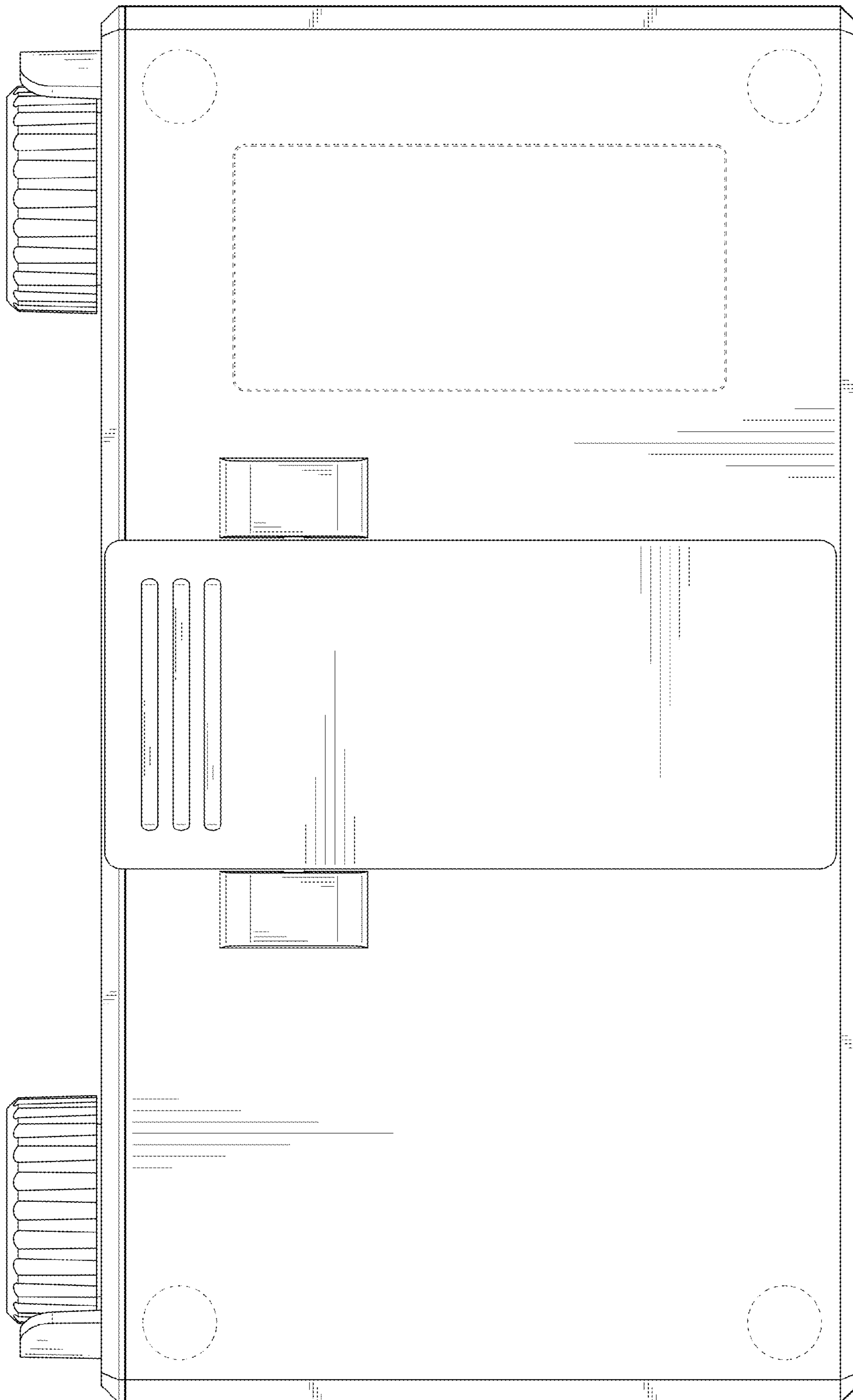


FIG. 8

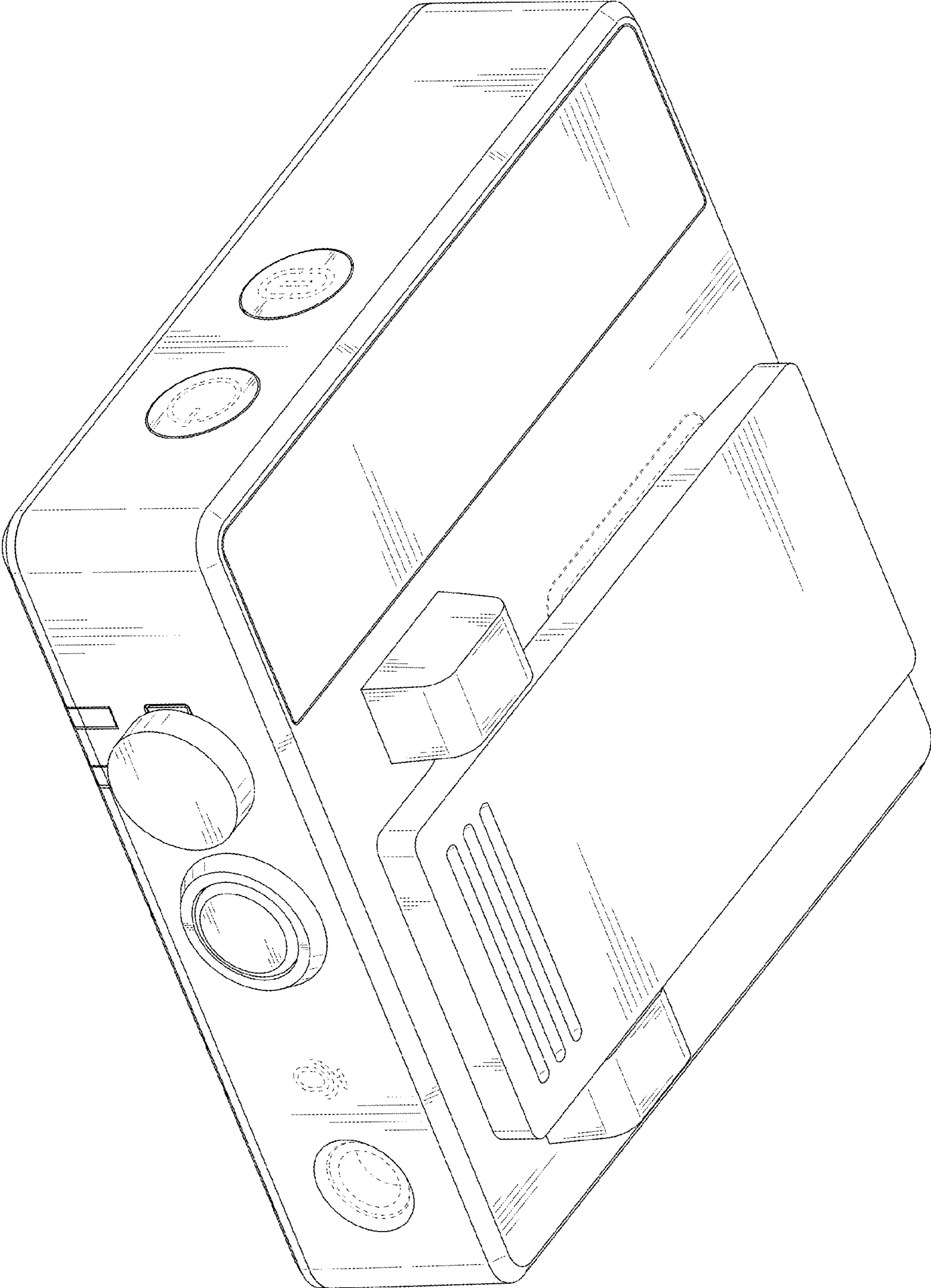


FIG. 9

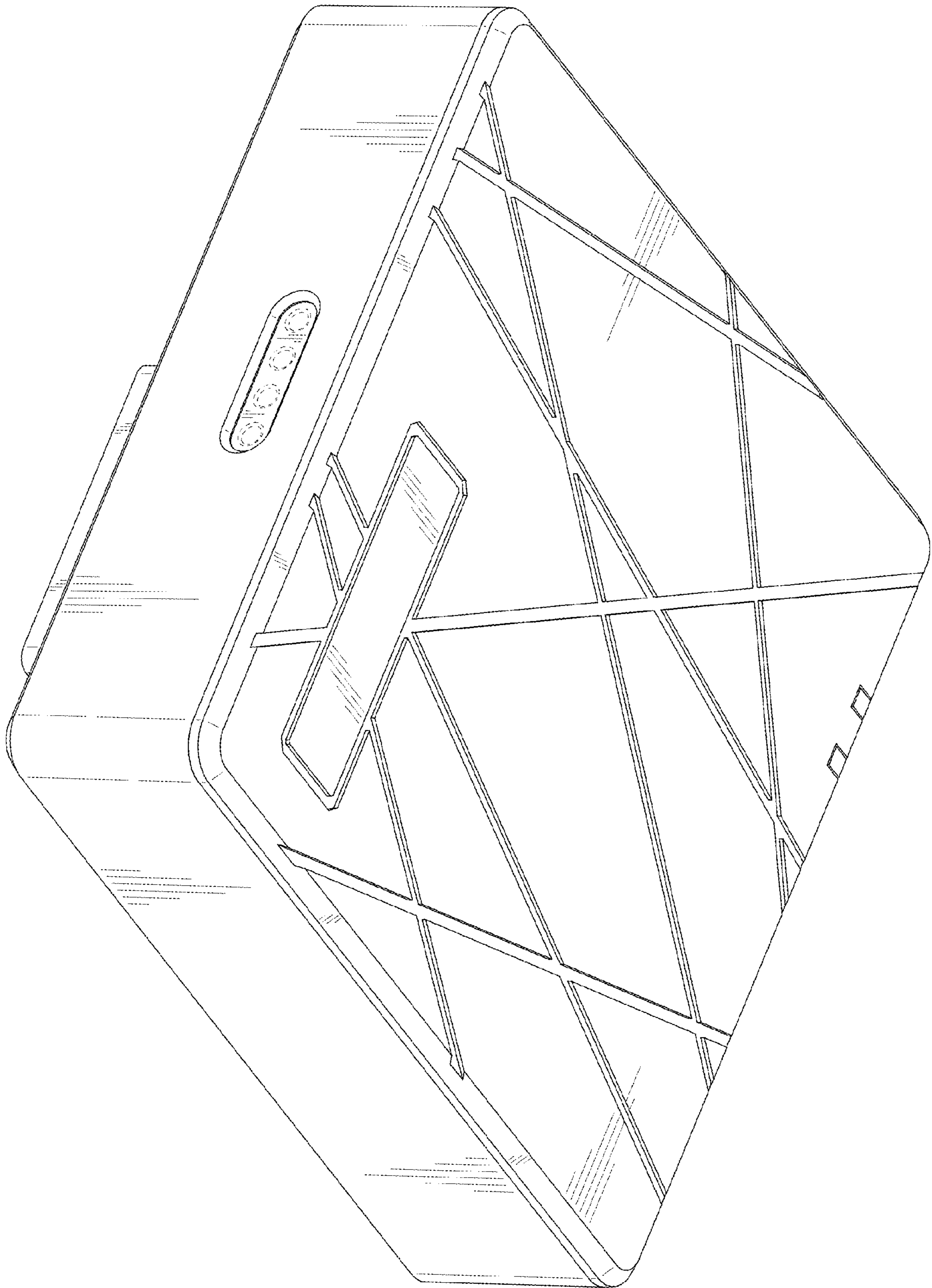


FIG. 10

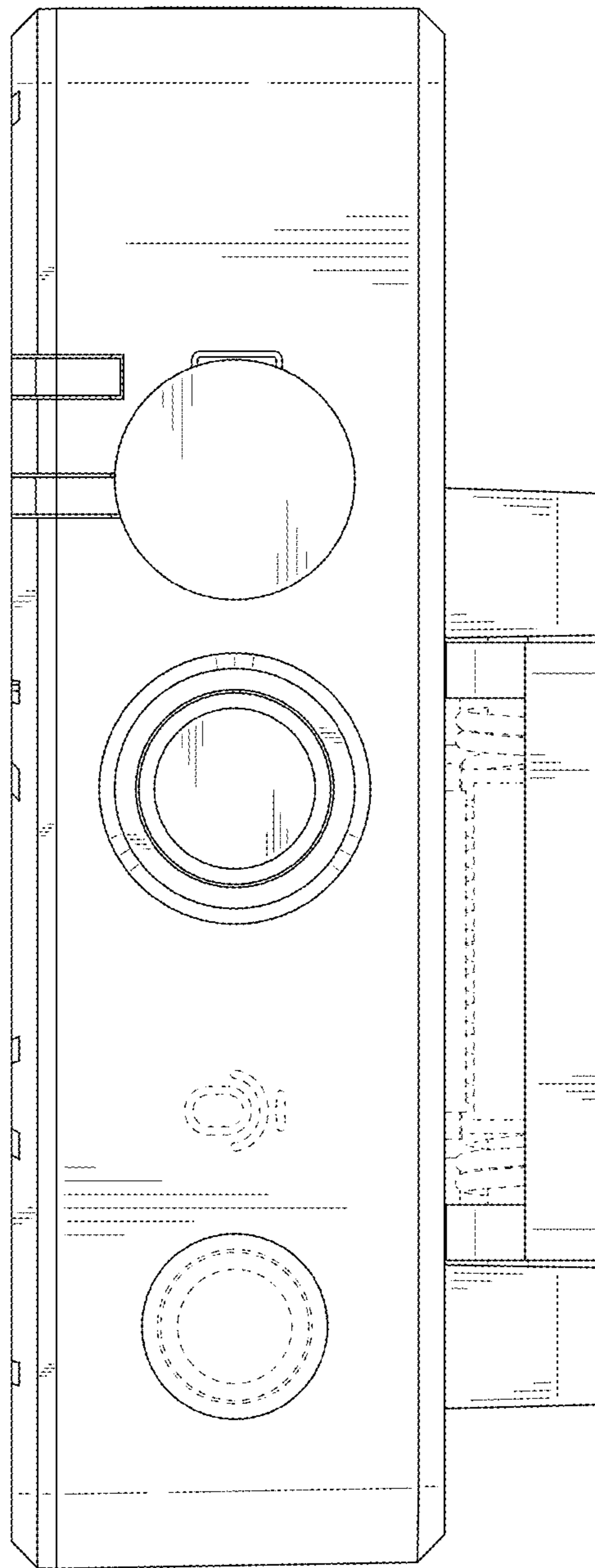


FIG. 11

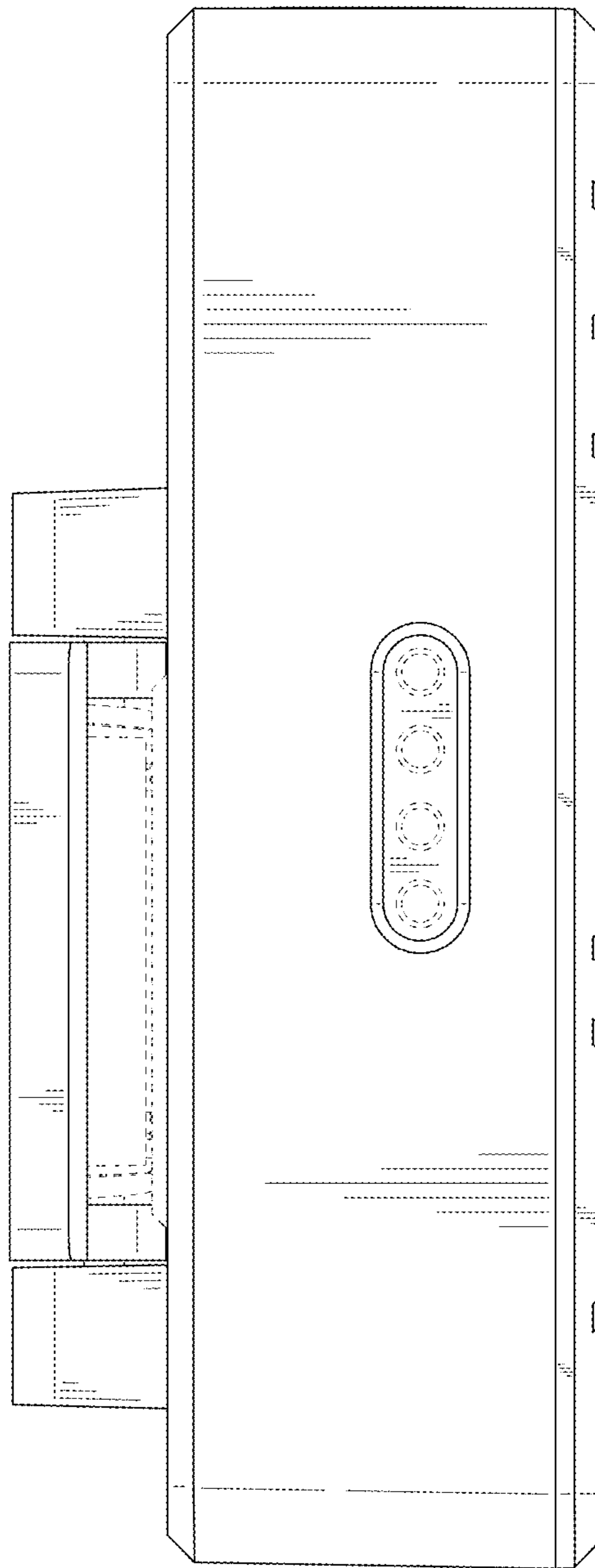


FIG. 12

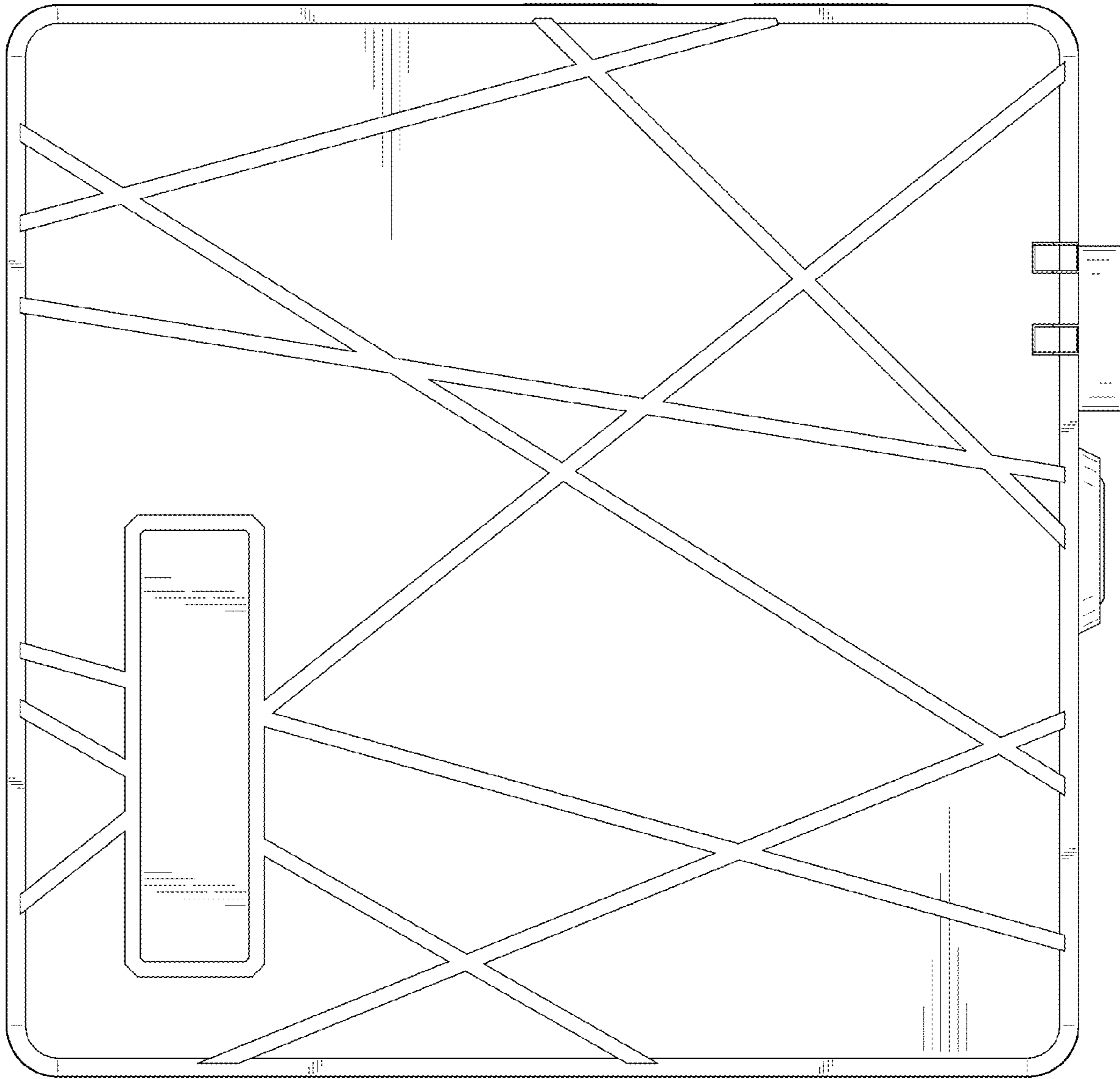


FIG. 13

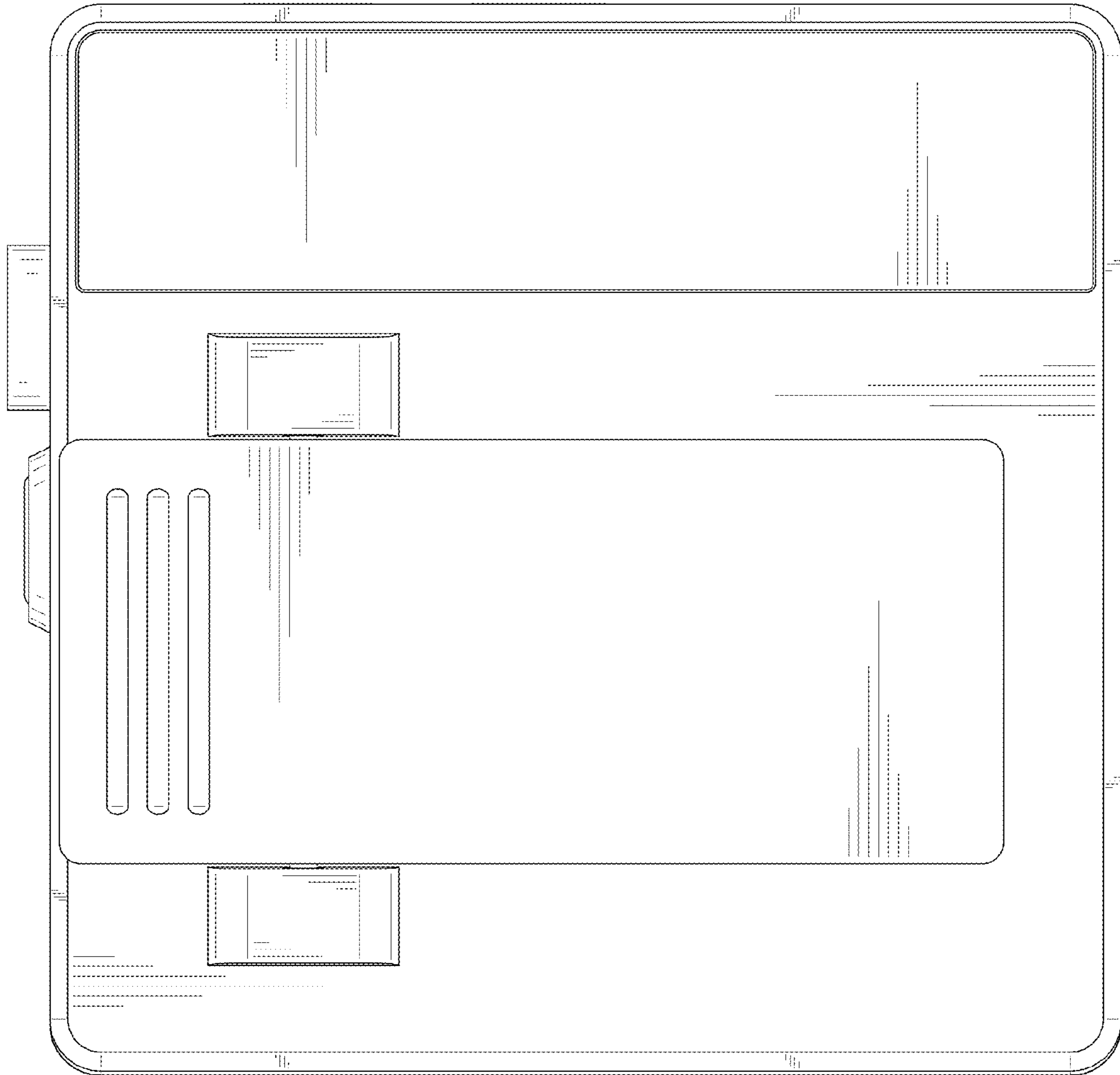


FIG. 14



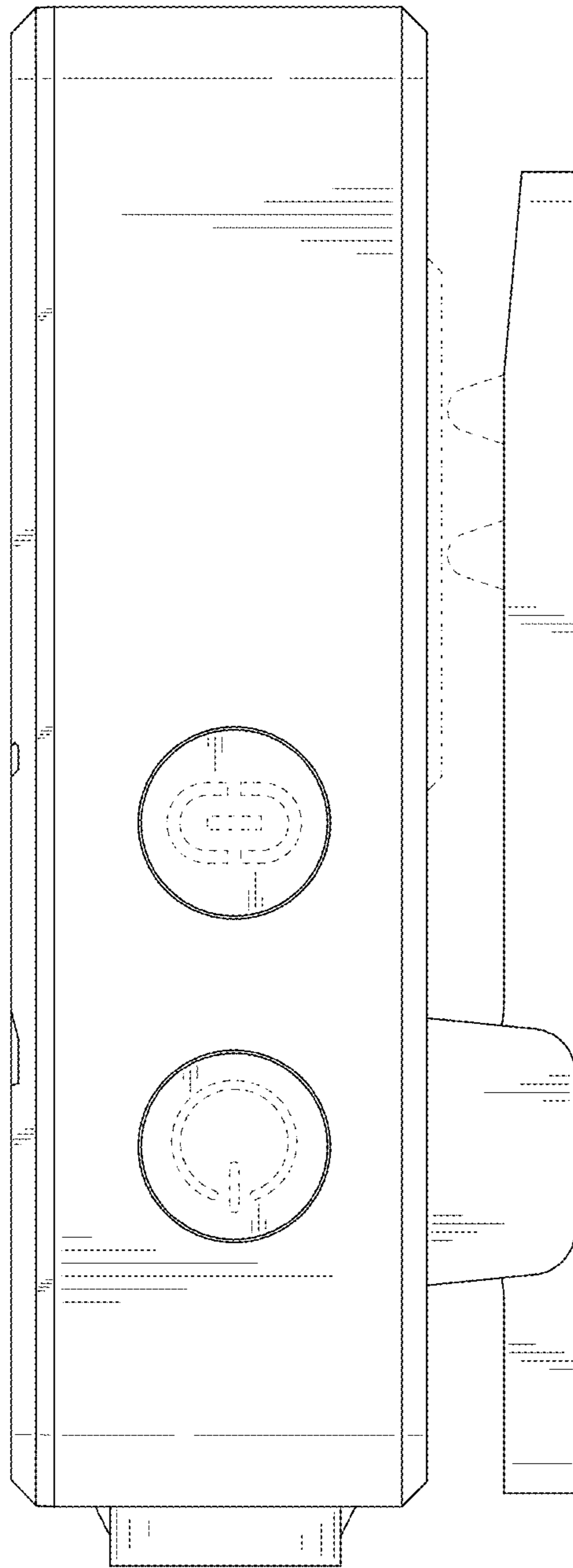


FIG. 15

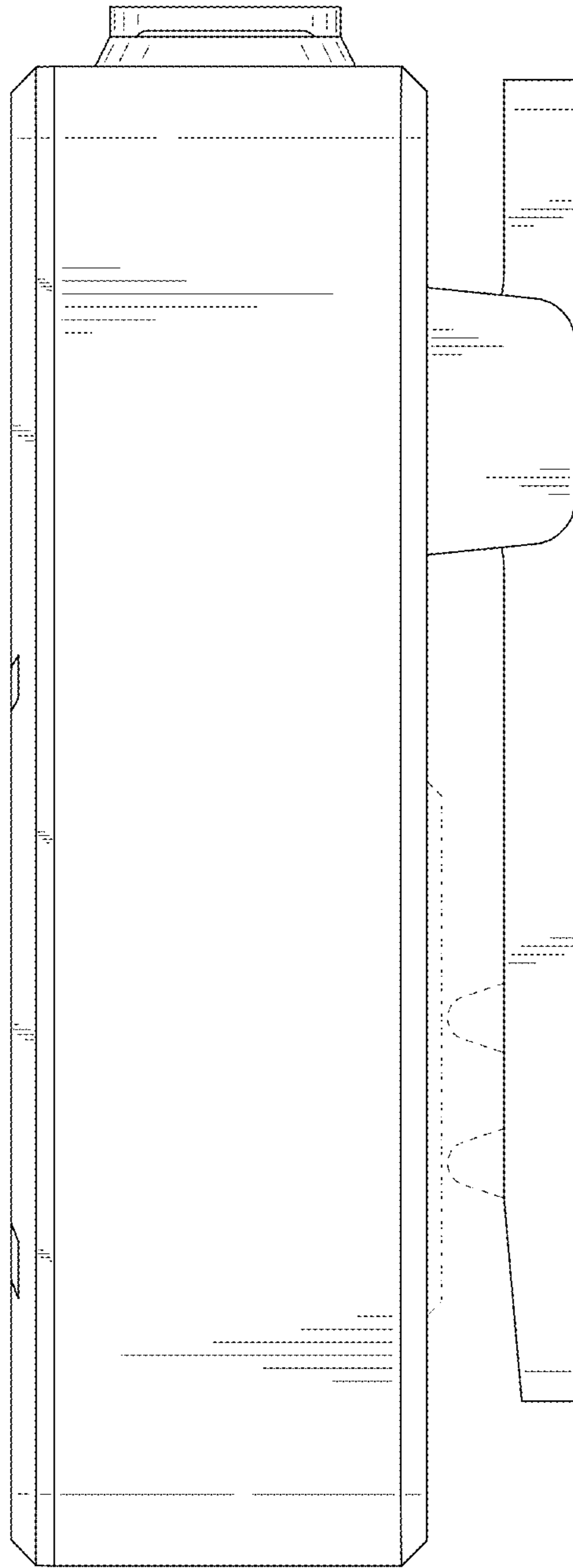


FIG. 16

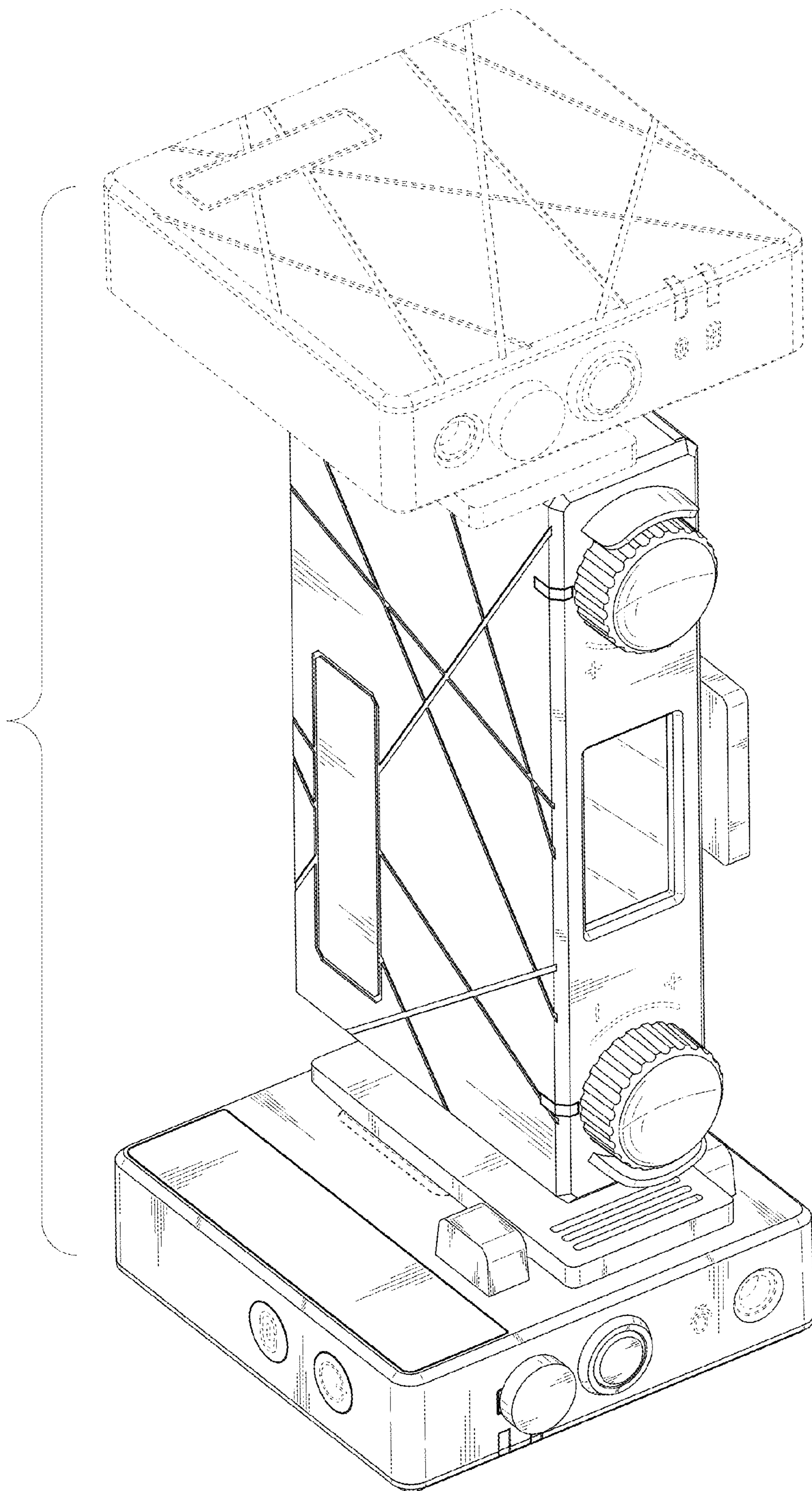


FIG. 17