



US00D936040S

(12) **United States Design Patent** (10) **Patent No.:** **US D936,040 S**  
**Zhao et al.** (45) **Date of Patent:** **\*\* Nov. 16, 2021**

(54) **CHARGER BOX**  
(71) Applicant: **BEIJING XIAOMI MOBILE SOFTWARE CO., LTD.**, Beijing (CN)  
(72) Inventors: **Ziran Zhao**, Beijing (CN); **Ningning Li**, Beijing (CN); **Lei Zhang**, Beijing (CN)  
(73) Assignee: **BEIJING XIAOMI MOBILE SOFTWARE CO., LTD.**, Beijing (CN)

3,440,365 A 4/1969 Bryant et al.  
D262,151 S \* 12/1981 Sussman ..... D28/83  
D317,610 S 6/1991 Jahnke  
D532,770 S 11/2006 Engstrom  
D548,970 S \* 8/2007 Huang ..... D3/294  
(Continued)

**FOREIGN PATENT DOCUMENTS**

CN 304180112 S 6/2017  
CN 304197599 S 7/2017  
(Continued)

(\*\*) Term: **15 Years**

**OTHER PUBLICATIONS**

(21) Appl. No.: **29/746,323**

Patent Right Evaluation Report dated Feb. 25, 2020 in connection with Chinese Application No. ZL201830463333.7.

(22) Filed: **Aug. 13, 2020**

(Continued)

**Related U.S. Application Data**

(62) Division of application No. 35/507,458, filed on Feb. 21, 2019 (U.S. filing date under 35 U.S.C. 384), and having an international filing date of Feb. 21, 2019.

*Primary Examiner* — L. A. Grabenstetter

(74) *Attorney, Agent, or Firm* — Amster, Rothstein & Ebenstein LLP

(30) **Foreign Application Priority Data**

Aug. 21, 2018 (CN) ..... 201830463333.7

(57) **CLAIM**

(51) **LOC (13) Cl.** ..... **14-01**

We claim the ornamental design for a charger box, as shown and described.

(52) **U.S. Cl.**

USPC ..... **D14/223**; D13/108

**DESCRIPTION**

(58) **Field of Classification Search**

USPC ..... D14/203.3, 203.6, 205, 206, 212, 217, D14/221, 223, 225, 250–253, 440, D14/507–509; D3/201, 212, 218, 294, D3/295; D24/174; D13/208, 103, 107, D13/108

FIG. 1 is a front elevation view of a charger box showing our new design;  
FIG. 2 is a rear elevation view thereof;  
FIG. 3 is a left side elevation view thereof;  
FIG. 4 is a right side elevation view thereof;  
FIG. 5 is a top plan view thereof;  
FIG. 6 is a bottom plan view thereof; and,  
FIG. 7 is a perspective view thereof.

CPC ..... H04R 1/1008; H04R 1/1016

See application file for complete search history.

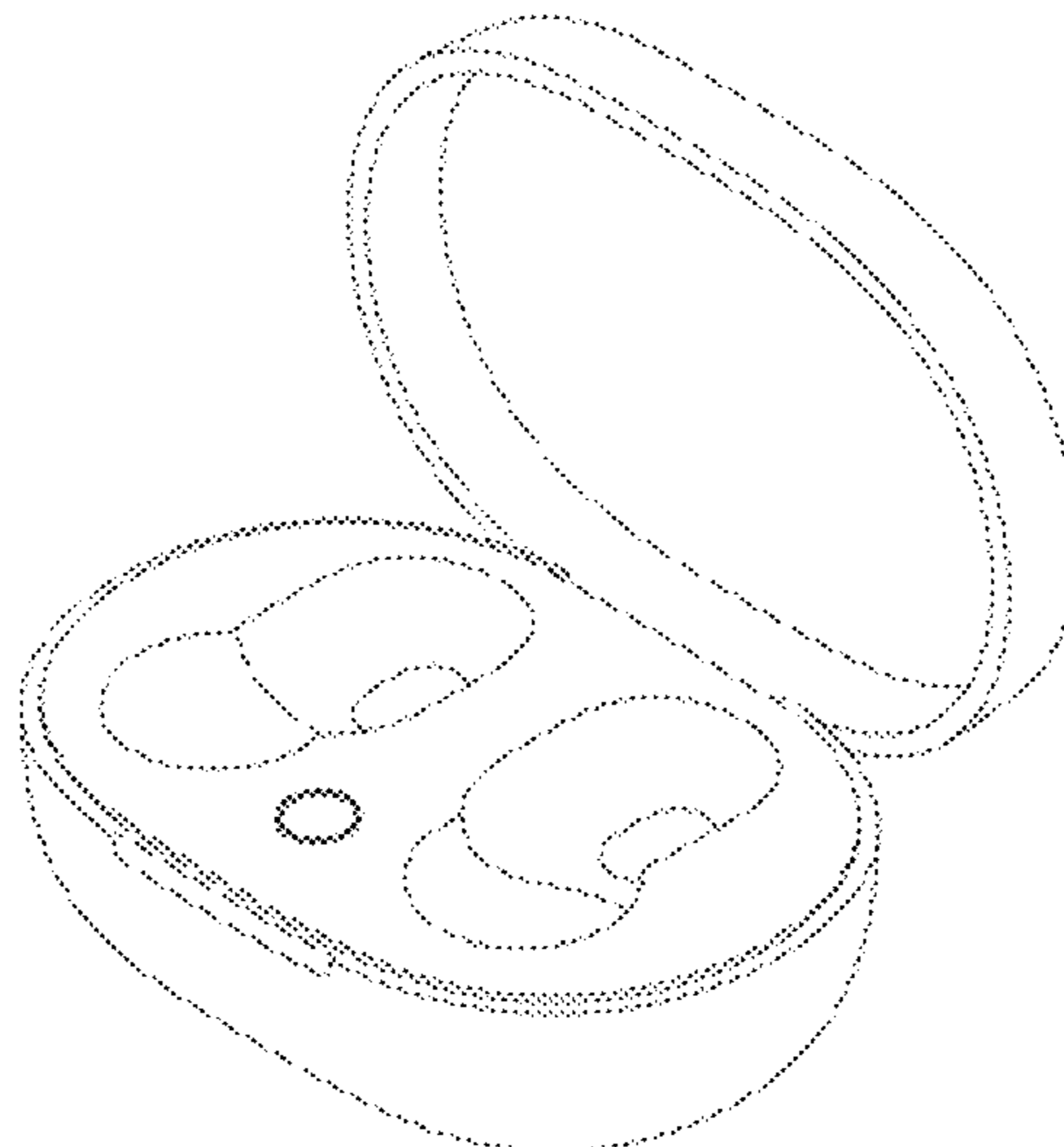
The broken lines, and regions bounded on all sides by broken lines, depict features of the charger box that form no part of the claimed design.

(56) **References Cited**

**U.S. PATENT DOCUMENTS**

1,668,890 A 5/1928 Curran et al.  
2,719,523 A 10/1955 Von Gierke

**1 Claim, 7 Drawing Sheets**



(56)

References Cited

U.S. PATENT DOCUMENTS

D553,077 S \* 10/2007 Kim ..... D13/108  
 D575,767 S 8/2008 Lee  
 D664,523 S 7/2012 Naitou  
 D729,775 S 5/2015 Seo  
 D738,110 S 9/2015 Jiang  
 D740,786 S 10/2015 Huang  
 D742,861 S 11/2015 Miyake  
 D755,158 S 5/2016 Lee  
 D764,445 S 8/2016 Czaniecki  
 D772,572 S \* 11/2016 Palmborg ..... D3/294  
 D773,439 S 12/2016 Walker  
 D775,818 S 1/2017 Ingraham  
 D798,843 S 10/2017 Valenzuela et al.  
 D800,097 S 10/2017 Chen  
 D806,686 S 1/2018 Ott  
 D812,042 S 3/2018 Xiao  
 D817,309 S 5/2018 Czaniecki  
 D826,211 S 8/2018 Kim  
 D839,583 S \* 2/2019 Cao ..... D3/201  
 D841,580 S \* 2/2019 Bao ..... D13/108  
 D841,581 S 2/2019 Bonahoom  
 D843,353 S 3/2019 Zhang  
 D846,264 S 4/2019 Wu  
 D853,108 S 7/2019 Zaihui  
 D860,973 S 9/2019 Ko  
 D864,110 S \* 10/2019 Yoshimura ..... D13/108  
 D870,451 S \* 12/2019 Birger ..... D3/201  
 D882,262 S \* 4/2020 Zhang ..... D3/294  
 D890,725 S \* 7/2020 Liu ..... D14/223  
 D891,434 S \* 7/2020 Lee ..... D14/440  
 D894,123 S \* 8/2020 Xiong ..... D13/108

D897,997 S \* 10/2020 Zhang ..... D14/223  
 D902,589 S \* 11/2020 Li ..... D3/295  
 2011/0186579 A1\* 8/2011 Bailey ..... B65D 43/0212  
 220/495.01

FOREIGN PATENT DOCUMENTS

CN	304236115 S	8/2017
CN	304249446 S	8/2017
CN	304332852 S	10/2017
CN	304420427 S	12/2017
CN	304466974 S	1/2018
CN	304710965 S	7/2018
CN	304737077 S	7/2018
KR	30-0963930	7/2018

OTHER PUBLICATIONS

Monoprice True Wireless Earphones, publication date Nov. 14, 2018, [online][site visited Oct. 16, 2020] URL: [https://www.monoprice.com/product?p\\_id=30878](https://www.monoprice.com/product?p_id=30878) (Year: 2018).  
 TOZO T10 Bluetooth Wireless Earbuds, earliest photo review date Dec. 6, 2018, [online][site visited Oct. 16, 2020] URL: <https://www.amazon.com/TOZO-Bluetooth-Wireless-Headphones-Waterproof/dp/B07J2Z5DBM/> (Year: 2018).  
 Xiaomi AirDots review, publication date Jun. 13, 2019, [online][site visited Oct. 16, 2020] URL: <https://9to5google.com/2019/06/13/xiaomi-redmi-airdots-review/> (Year: 2019).  
 Anker Soundcore Liberty True Wireless Earbuds, earliest review date Dec. 21, 2019, [online][site visited Oct. 19, 2020] URL: <https://www.newegg.com/black-soundcore-liberty-neo-wireless/p/OTH-033Y-00095#> (Year: 2019).  
 Ex Parte Quayle Action issued in Design U.S. Appl. No. 35/507,458, mailed Oct. 20, 2020.

\* cited by examiner



Fig. 1

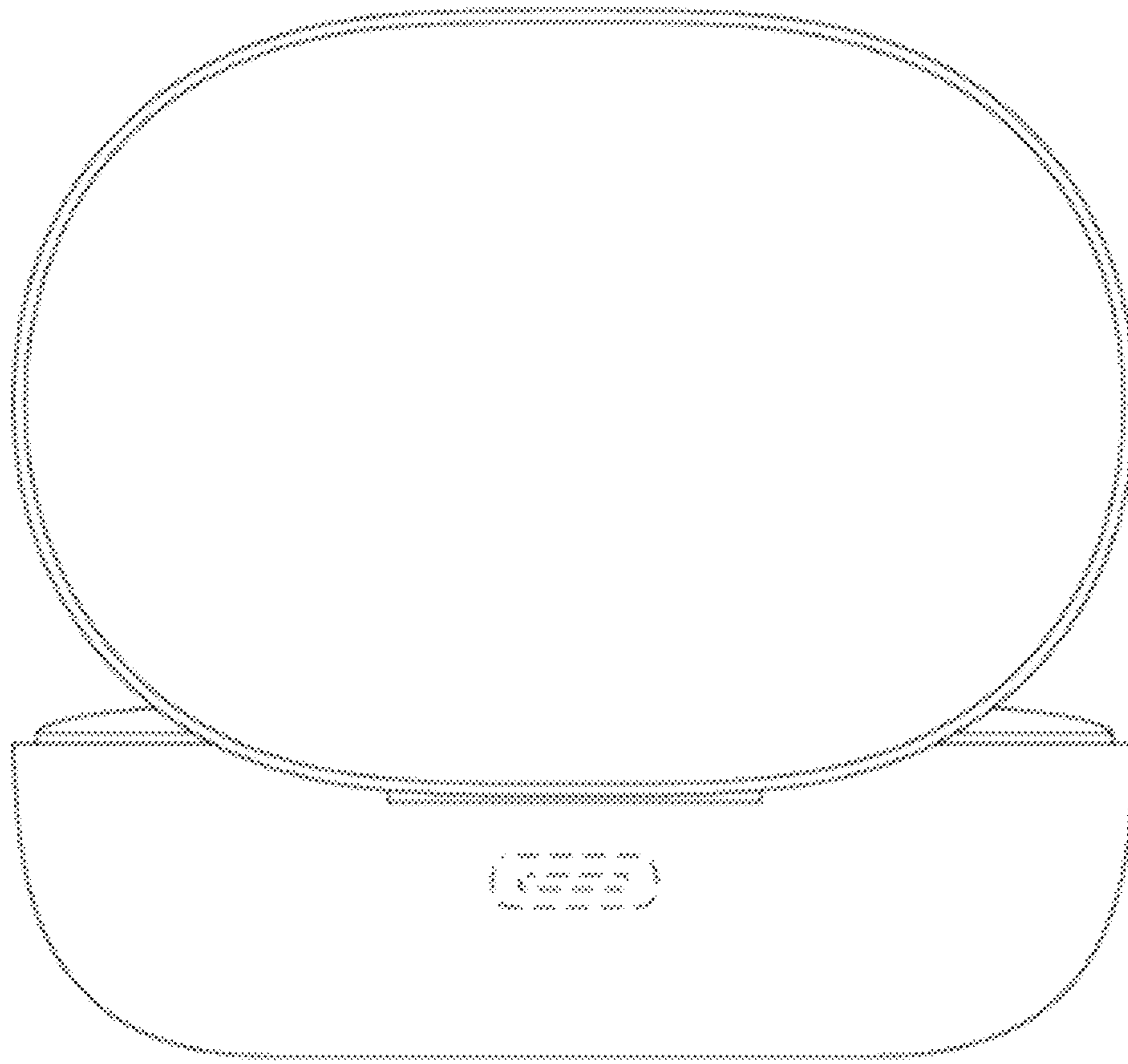


Fig. 2

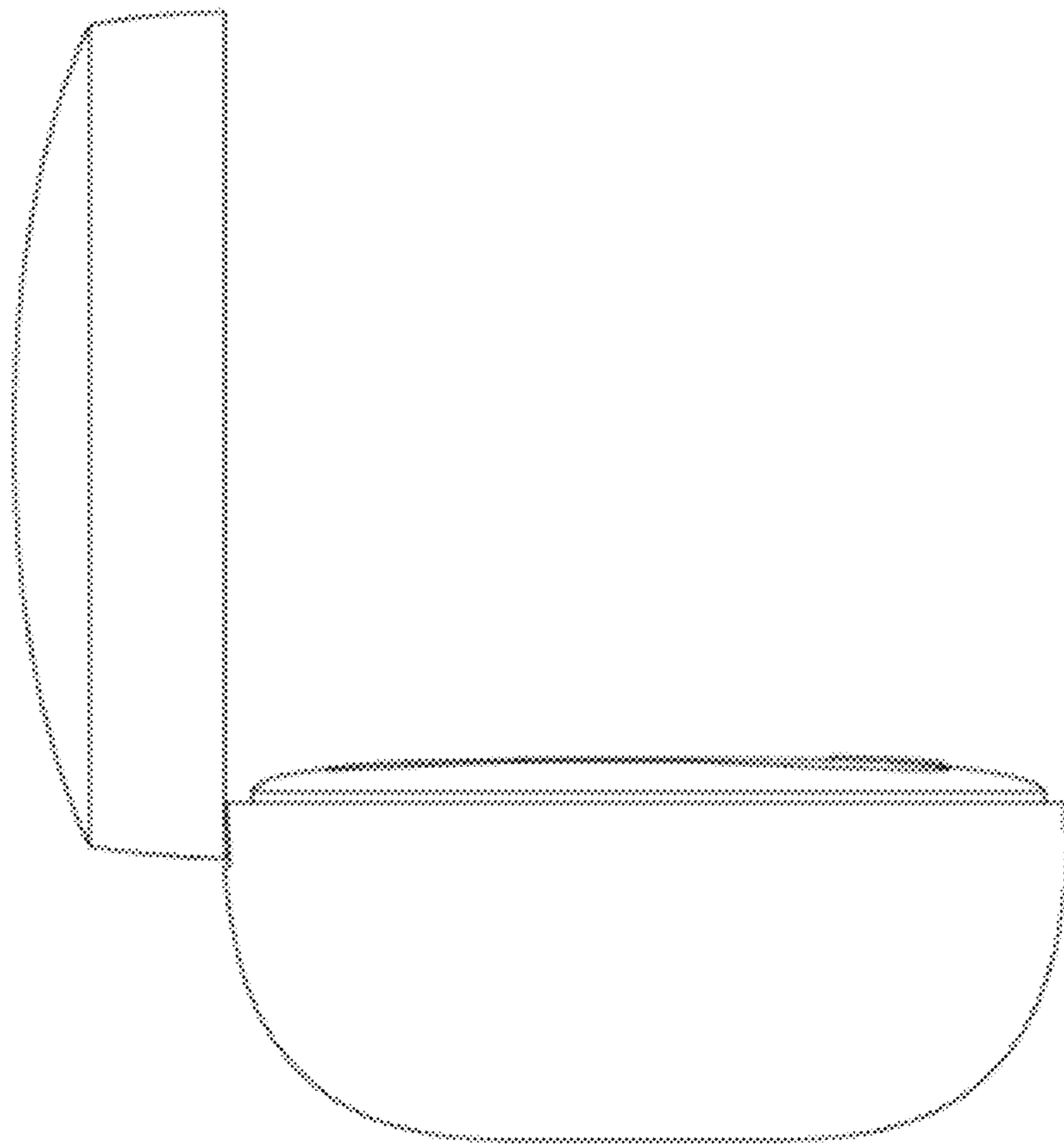


Fig. 3

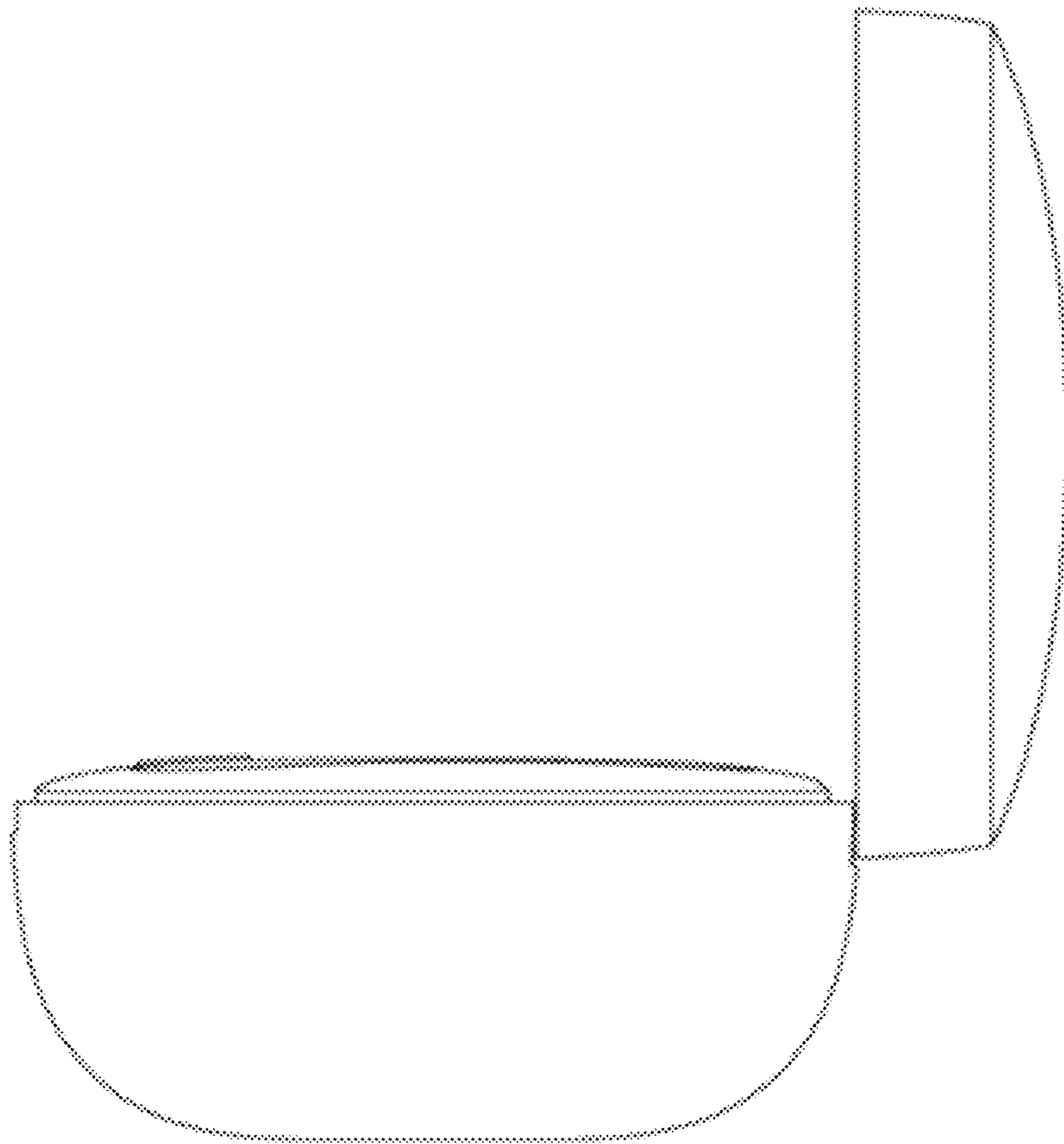


Fig. 4



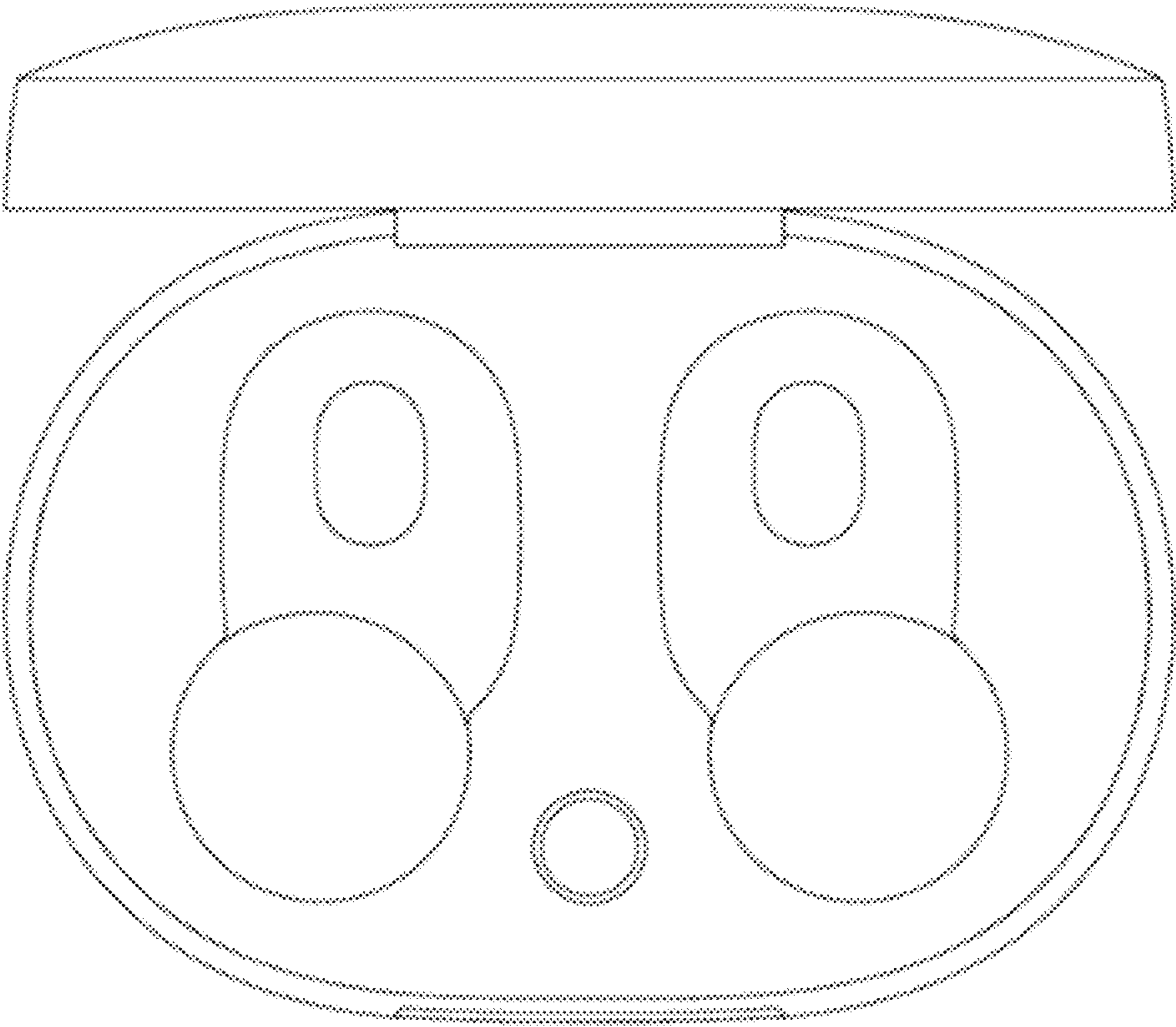


Fig. 5

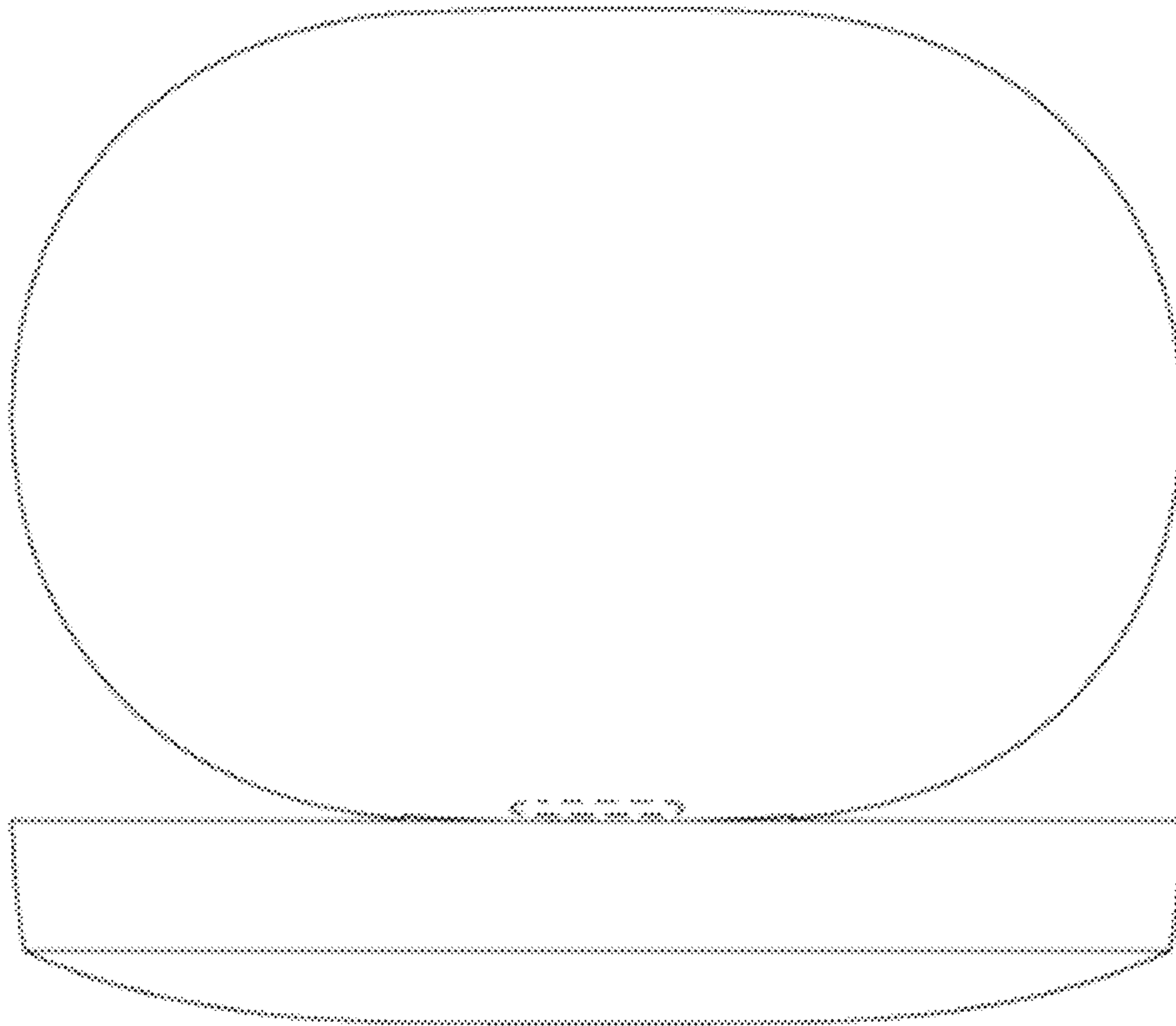


Fig. 6



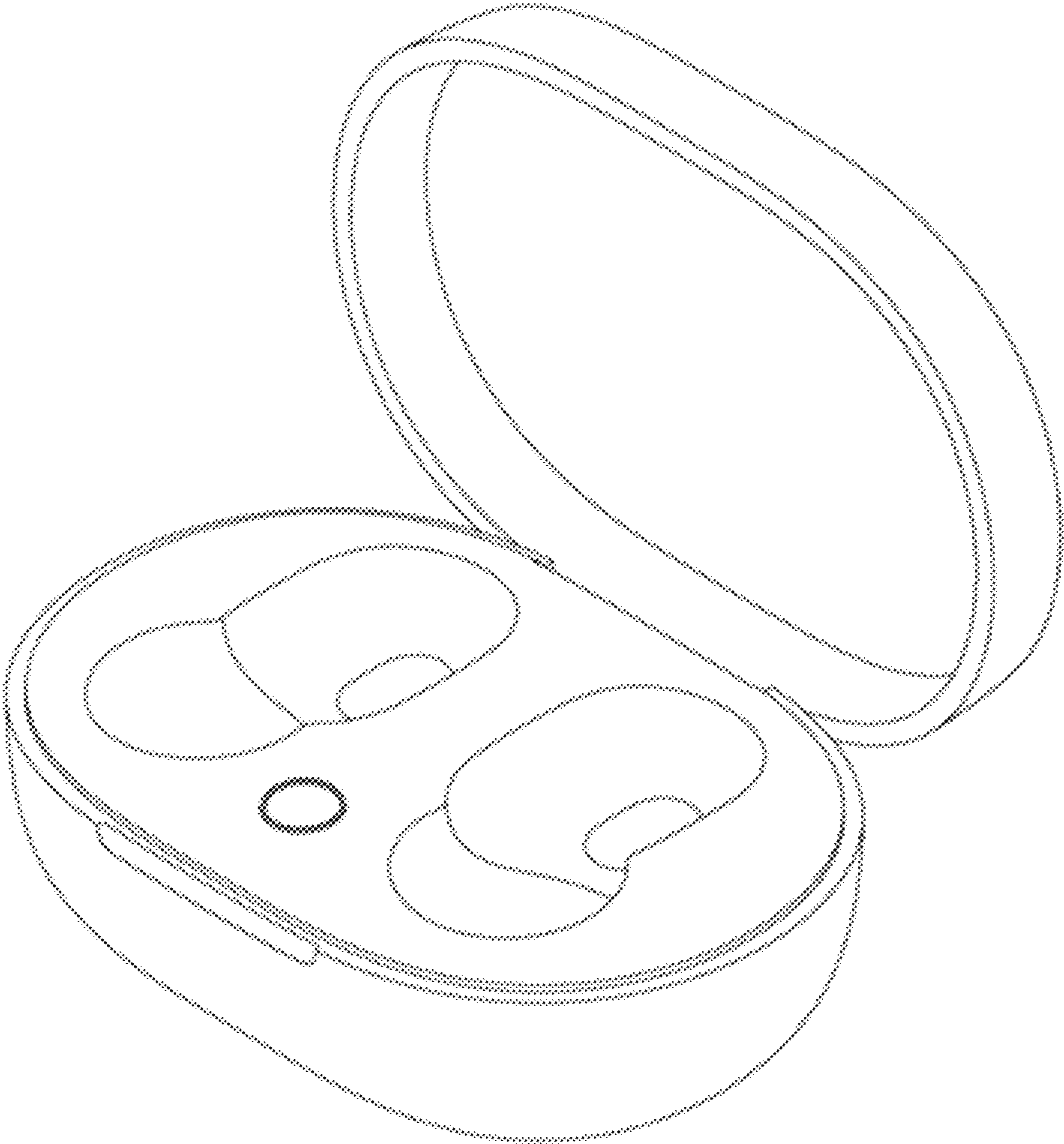


Fig. 7