



US00D936039S

(12) **United States Design Patent**
Jung et al.

(10) **Patent No.:** **US D936,039 S**

(45) **Date of Patent:** **** Nov. 16, 2021**

(54) **SPEAKER**

(71) Applicant: **LG ELECTRONICS INC.**, Seoul (KR)

(72) Inventors: **Dana Jung**, Seoul (KR); **Kyongtae Han**, Seoul (KR); **Kyoungju Ryu**, Seoul (KR); **Arim Kwon**, Seoul (KR)

(73) Assignee: **LG ELECTRONICS INC.**, Seoul (KR)

(**) Term: **15 Years**

(21) Appl. No.: **29/728,122**

(22) Filed: **Mar. 16, 2020**

(30) **Foreign Application Priority Data**

Sep. 26, 2019 (KR) 30-2019-0046345

(51) **LOC (13) Cl.** **14-01**

(52) **U.S. Cl.**
USPC **D14/216**

(58) **Field of Classification Search**
USPC D14/155–159, 160–173, 187–188,
D14/203.1–203.8, 204–216, 217–222,
D14/225–229, 356–358, 361, 362, 365,
D14/367, 370, 388, 496; D13/103,
D13/107–108

CPC H04R 1/02; H04R 1/021; H04R 1/025;
H04R 1/026; H04R 1/028; H04R 1/06;
H04R 1/105; H04R 1/323; H04R 1/403;
H04R 1/2803; H04R 1/2834

See application file for complete search history.

(56) **References Cited**

U.S. PATENT DOCUMENTS

D106,163 S * 9/1937 Williams D13/103
D552,516 S * 10/2007 Files D12/114
D563,286 S * 3/2008 Files D12/114
D624,543 S * 9/2010 Kettula D14/388

D692,760 S * 11/2013 Rapparini D9/500
D705,064 S * 5/2014 Sy D9/500
D728,525 S * 5/2015 Zhang D14/216
D728,526 S * 5/2015 Zhang D14/216
D791,775 S * 7/2017 Park D14/447
D806,691 S * 1/2018 Andersson D14/240
D823,840 S * 7/2018 Gilbert D14/238
D826,053 S * 8/2018 Schaling D9/503
D858,497 S * 9/2019 Laurans D14/240
D864,929 S * 10/2019 Laurans D14/240

(Continued)

OTHER PUBLICATIONS

Moxie® 1.75 gpm showerhead and wireless speaker, review date: 2020, [retrieved Jun. 2, 2021], Retrieved from Internet, URL: <<https://www.us.kohler.com/us/moxie-1.75-gpm-showerhead-and-wireless-speaker/productDetail/showerheads/1803326.htm>> (Year: 2020).*

Primary Examiner — Barbara Fox

Assistant Examiner — Aram Kwon

(74) *Attorney, Agent, or Firm* — Birch, Stewart, Kolasch & Birch, LLP

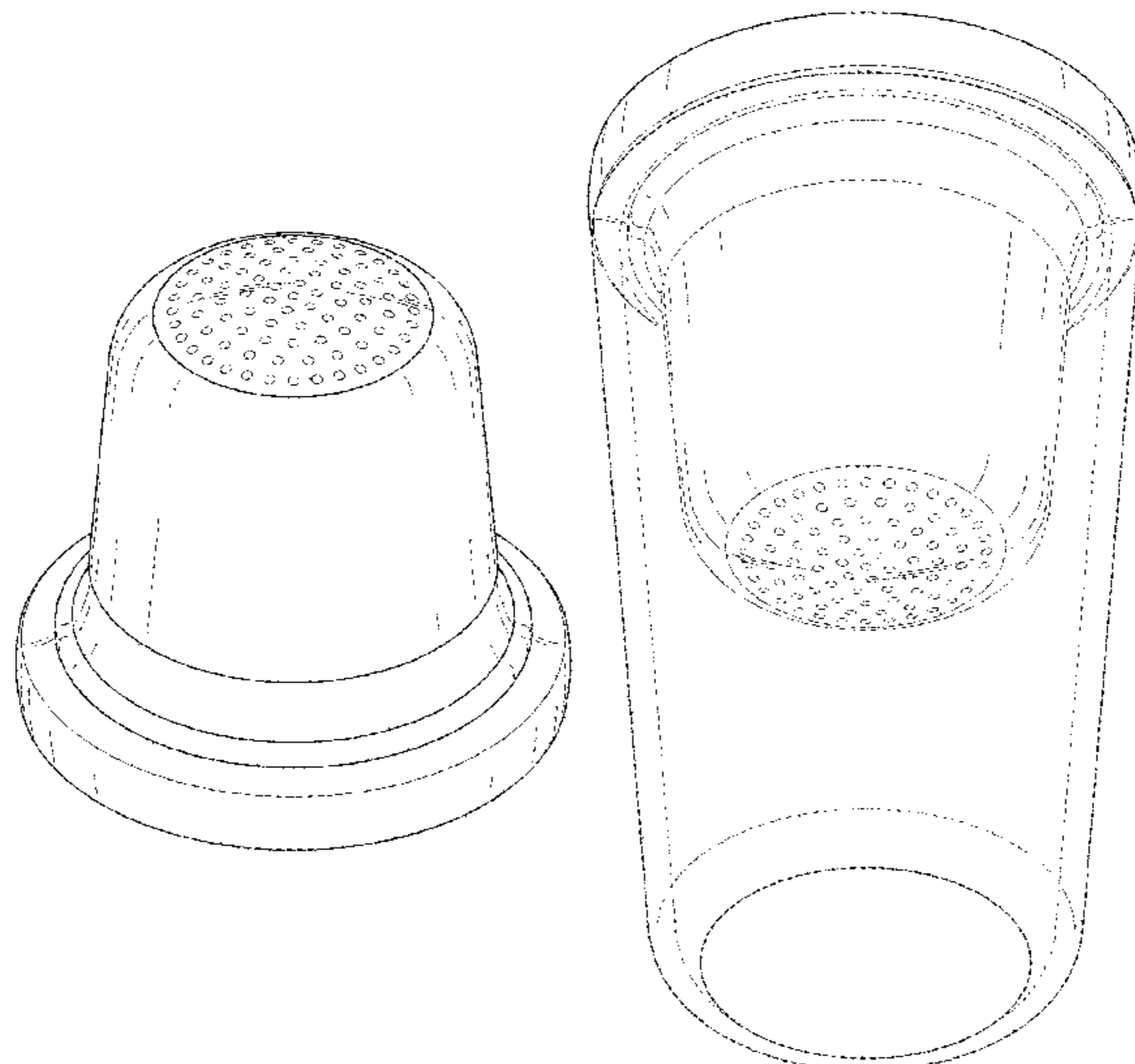
(57) **CLAIM**

We claim the ornamental design for a speaker, as shown and described.

DESCRIPTION

FIG. 1 is a perspective view of a speaker showing the new design;
FIG. 2 is a front elevation view thereof;
FIG. 3 is a rear elevation view thereof;
FIG. 4 is a left-side elevation view thereof;
FIG. 5 is a right-side elevation view thereof;
FIG. 6 is a top plan view thereof;
FIG. 7 is a bottom plan view thereof; and,
FIG. 8 is a perspective view showing a state of use thereof. The broken line showing of the cup in FIG. 8 depicts environment and forms no part of the claimed design.

1 Claim, 8 Drawing Sheets



(56)

References Cited

U.S. PATENT DOCUMENTS

D884,475 S *	5/2020	Rapparini	D9/500
D899,244 S *	10/2020	Lee	D9/428
D919,430 S *	5/2021	Lee	D9/428
D920,097 S *	5/2021	Rapparini	D9/428
2009/0257612 A1 *	10/2009	Lin	H04R 1/021 381/345
2014/0064535 A1 *	3/2014	Zhao	H04R 1/021 381/332
2015/0271577 A1 *	9/2015	Hamilton	H04R 19/04 381/361

* cited by examiner

FIG. 1

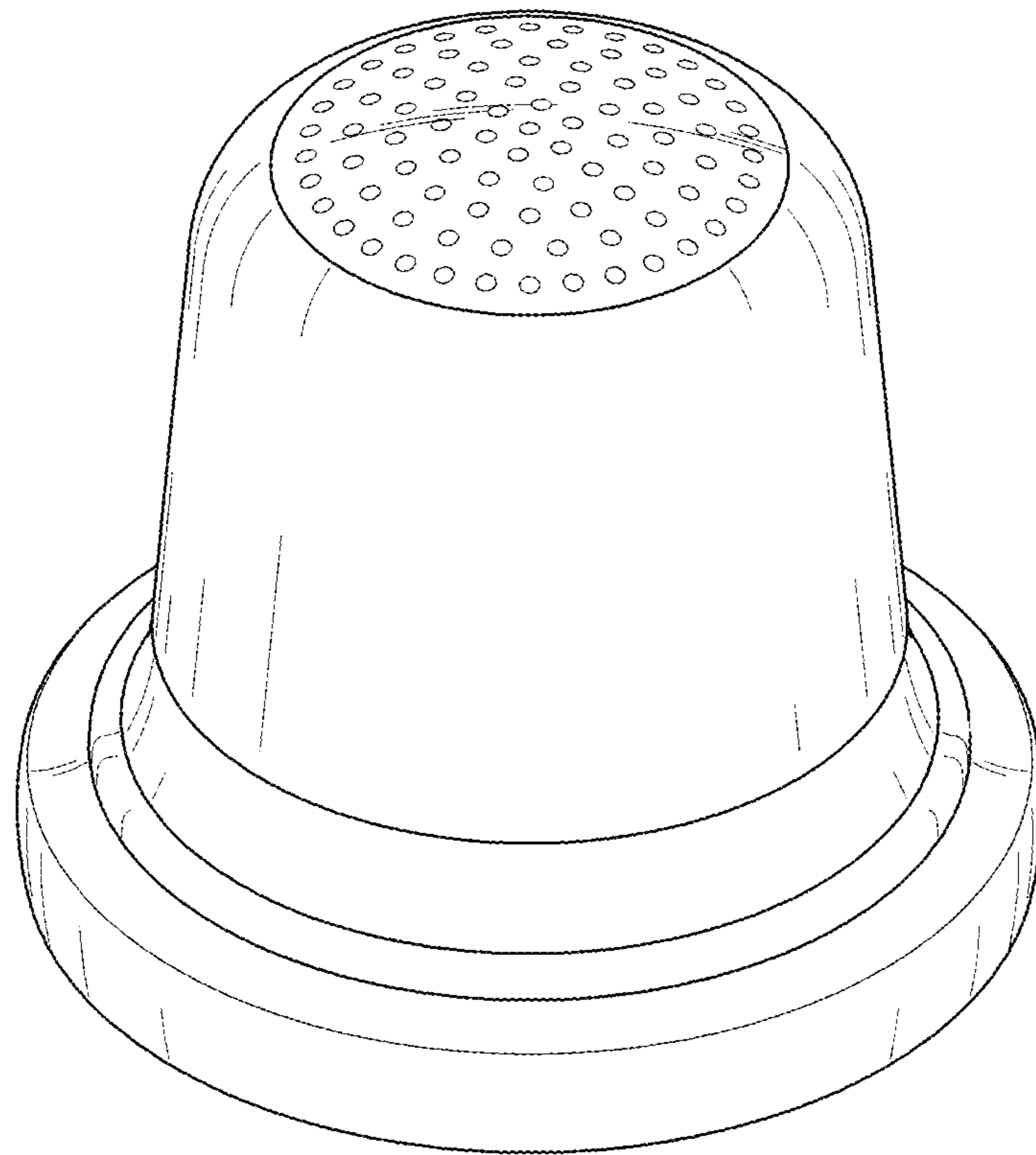


FIG. 2

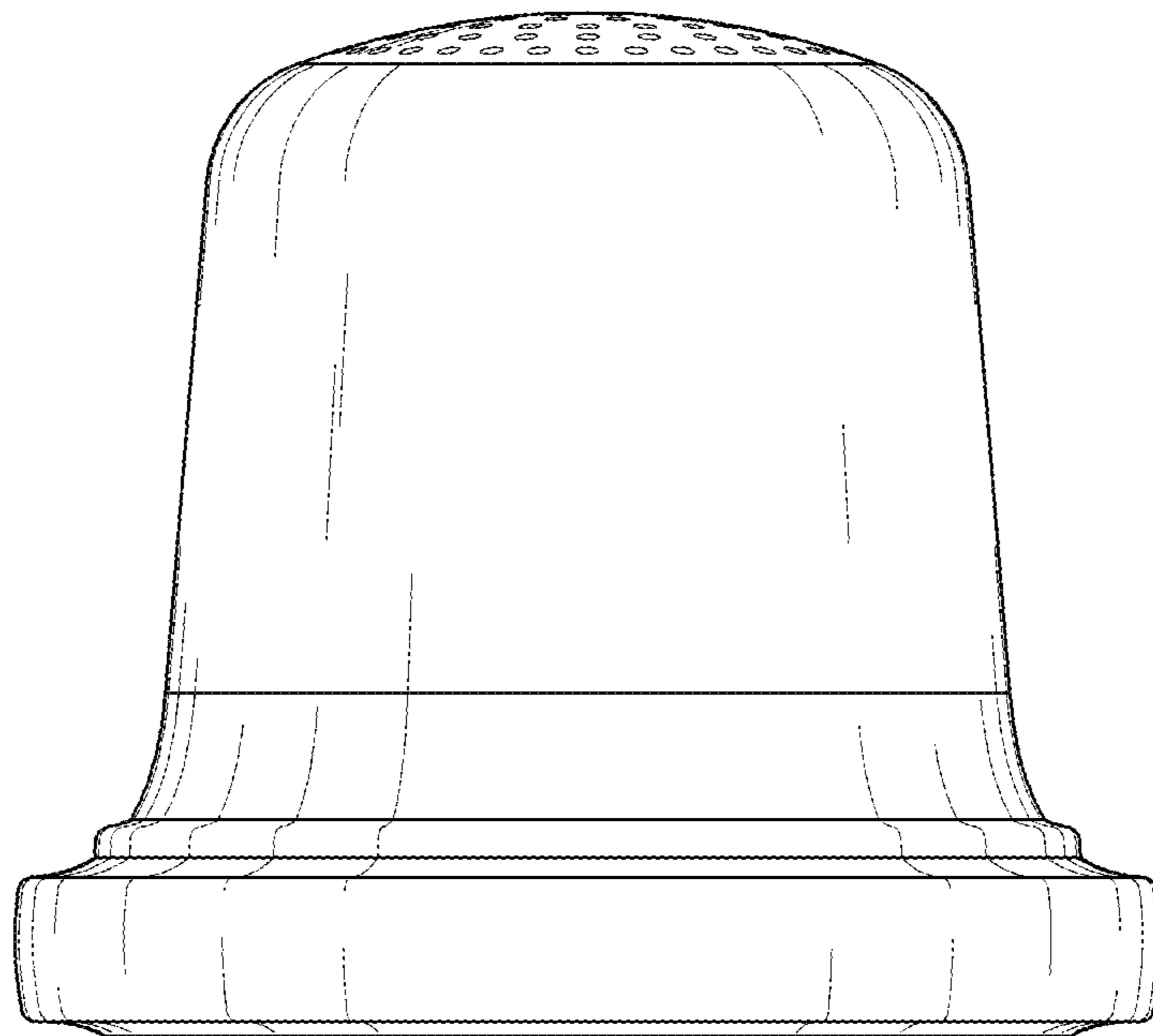


FIG. 3

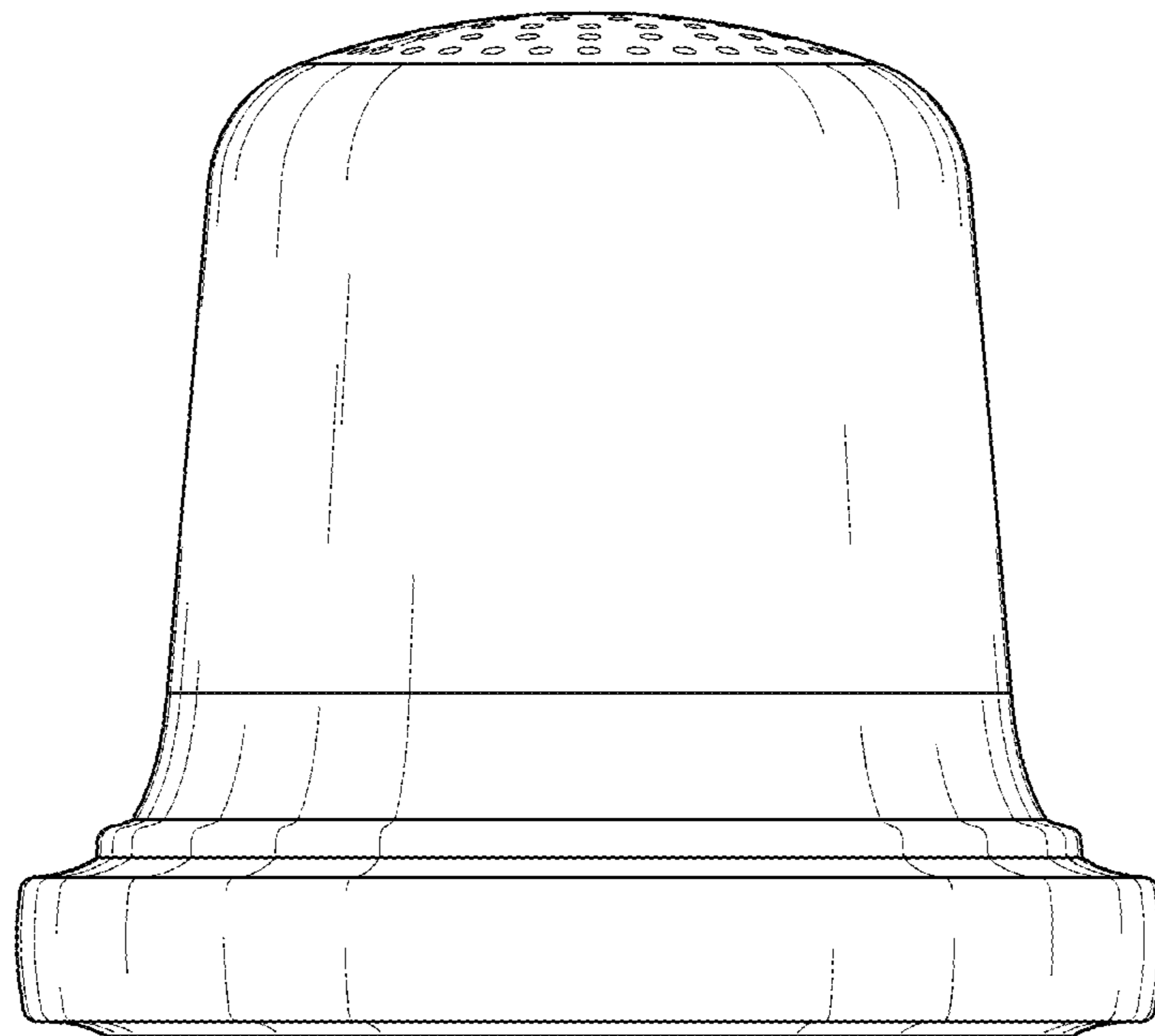


FIG. 4

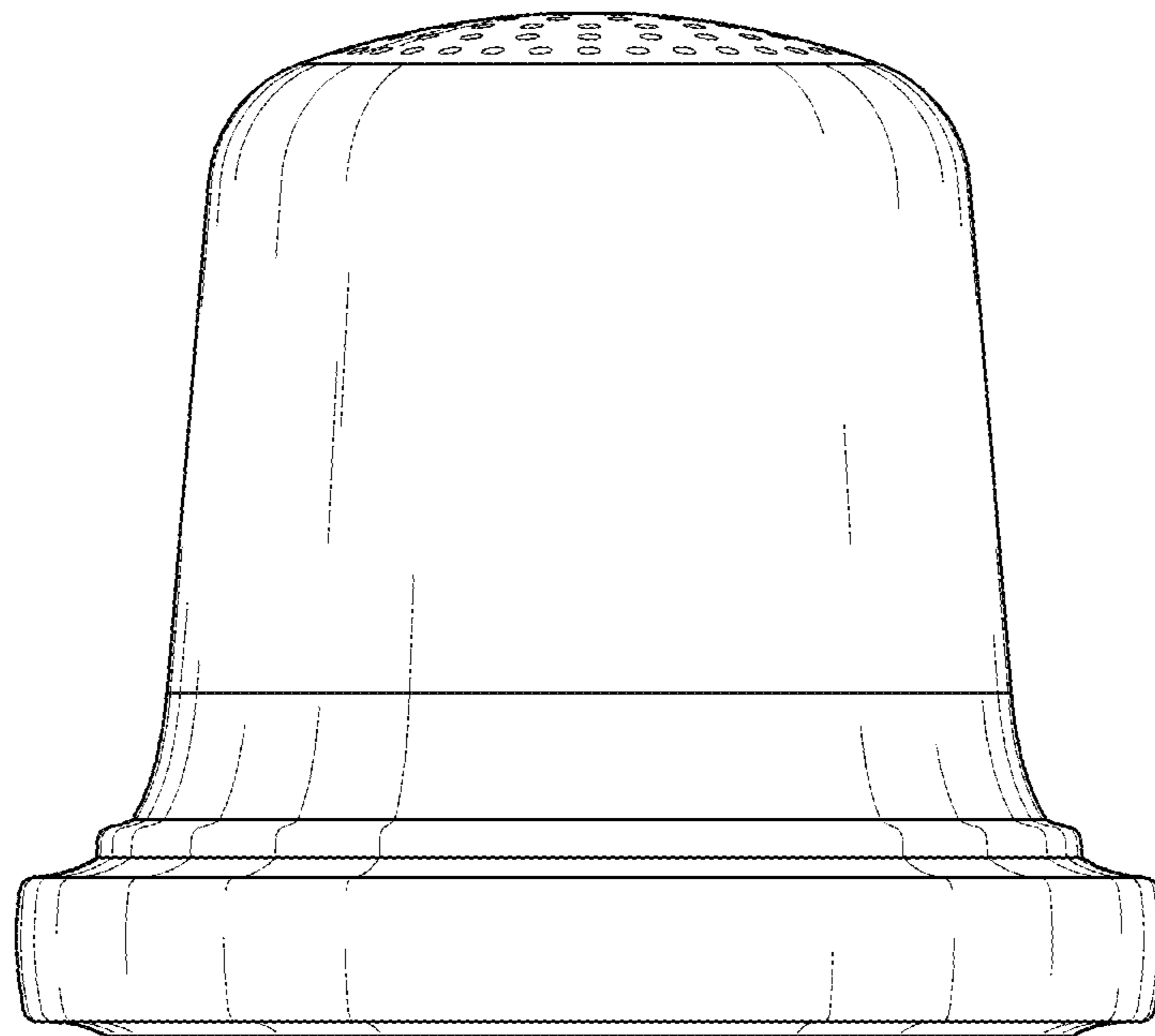


FIG. 5

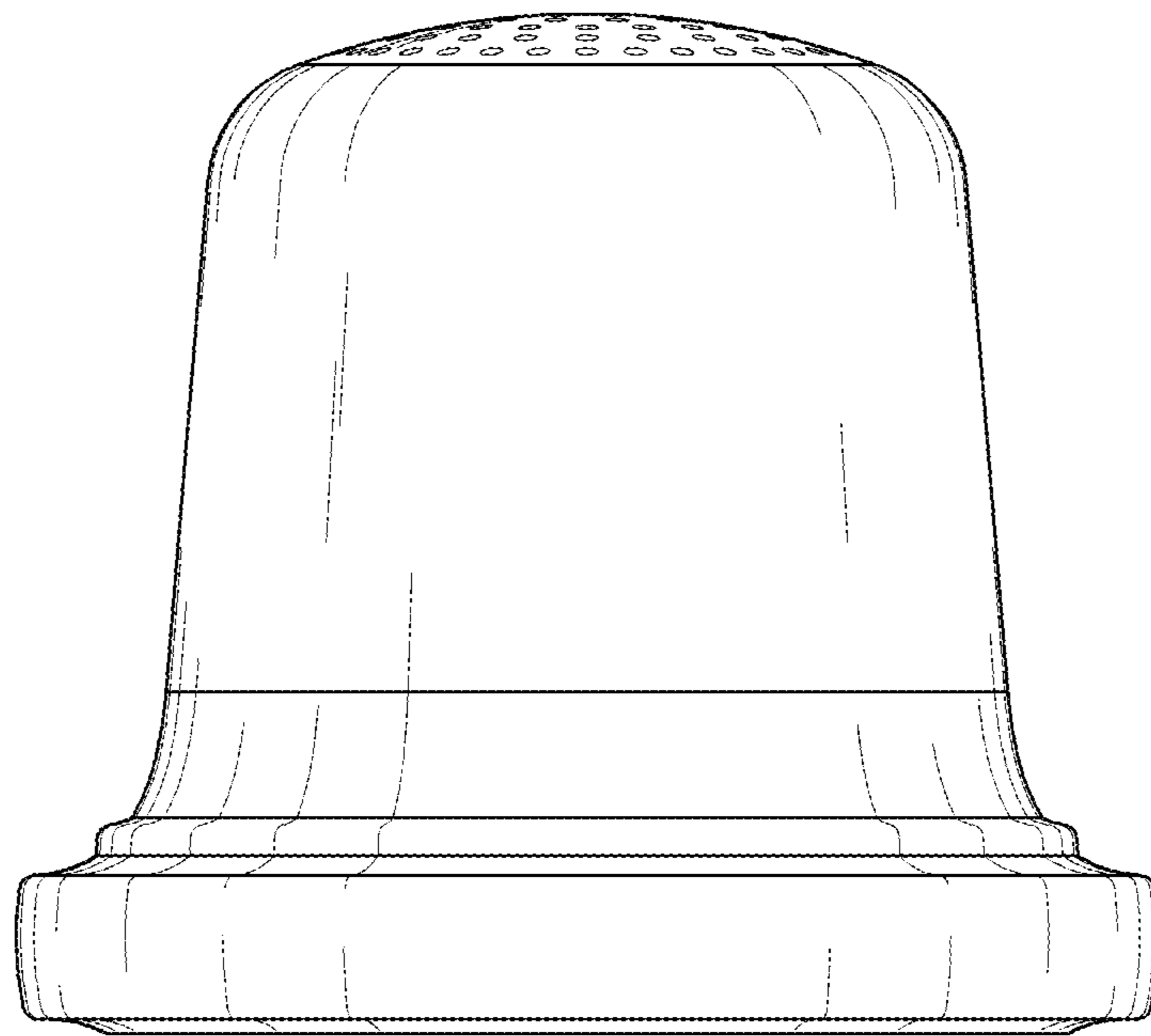


FIG. 6

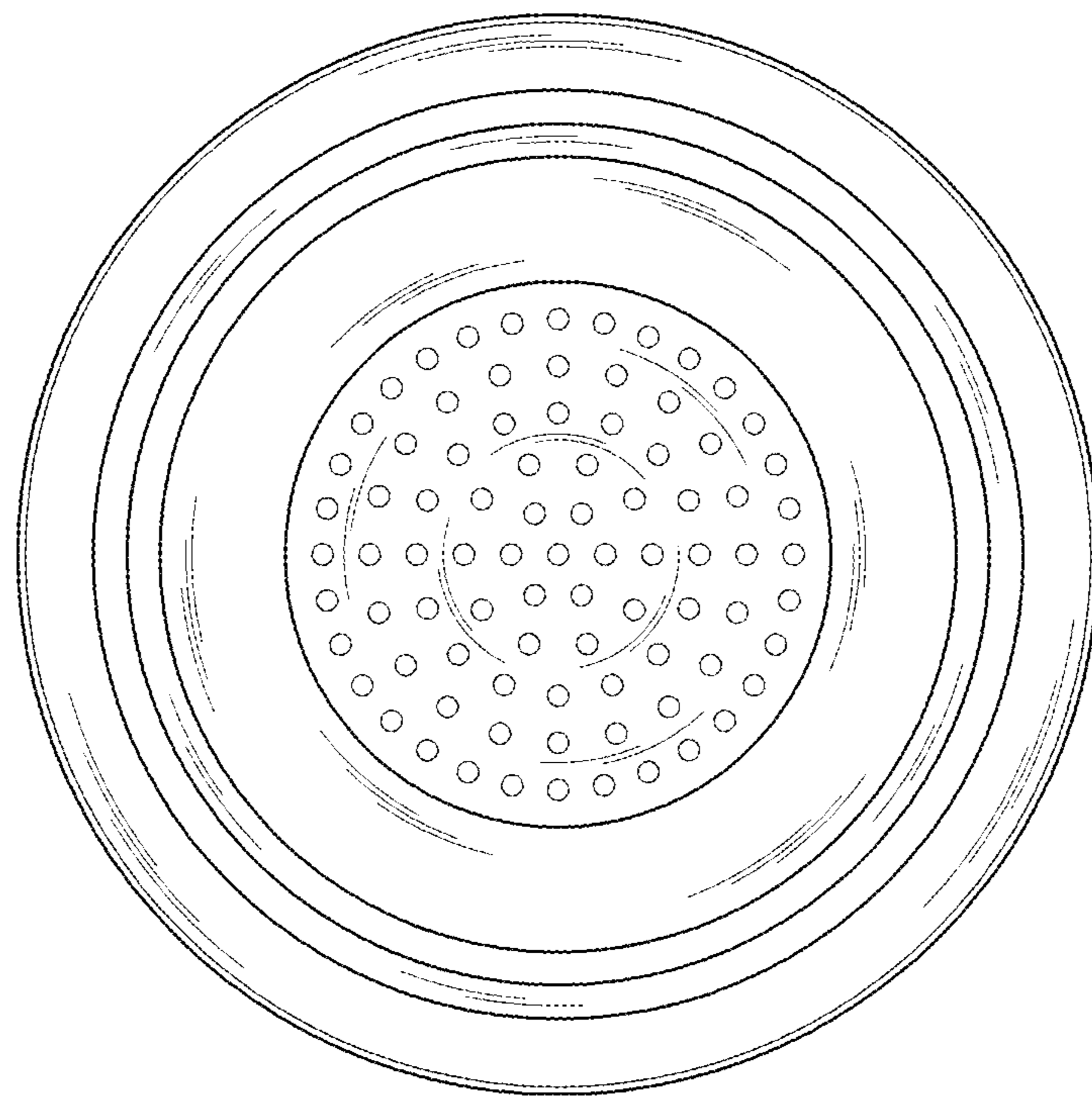


FIG. 7

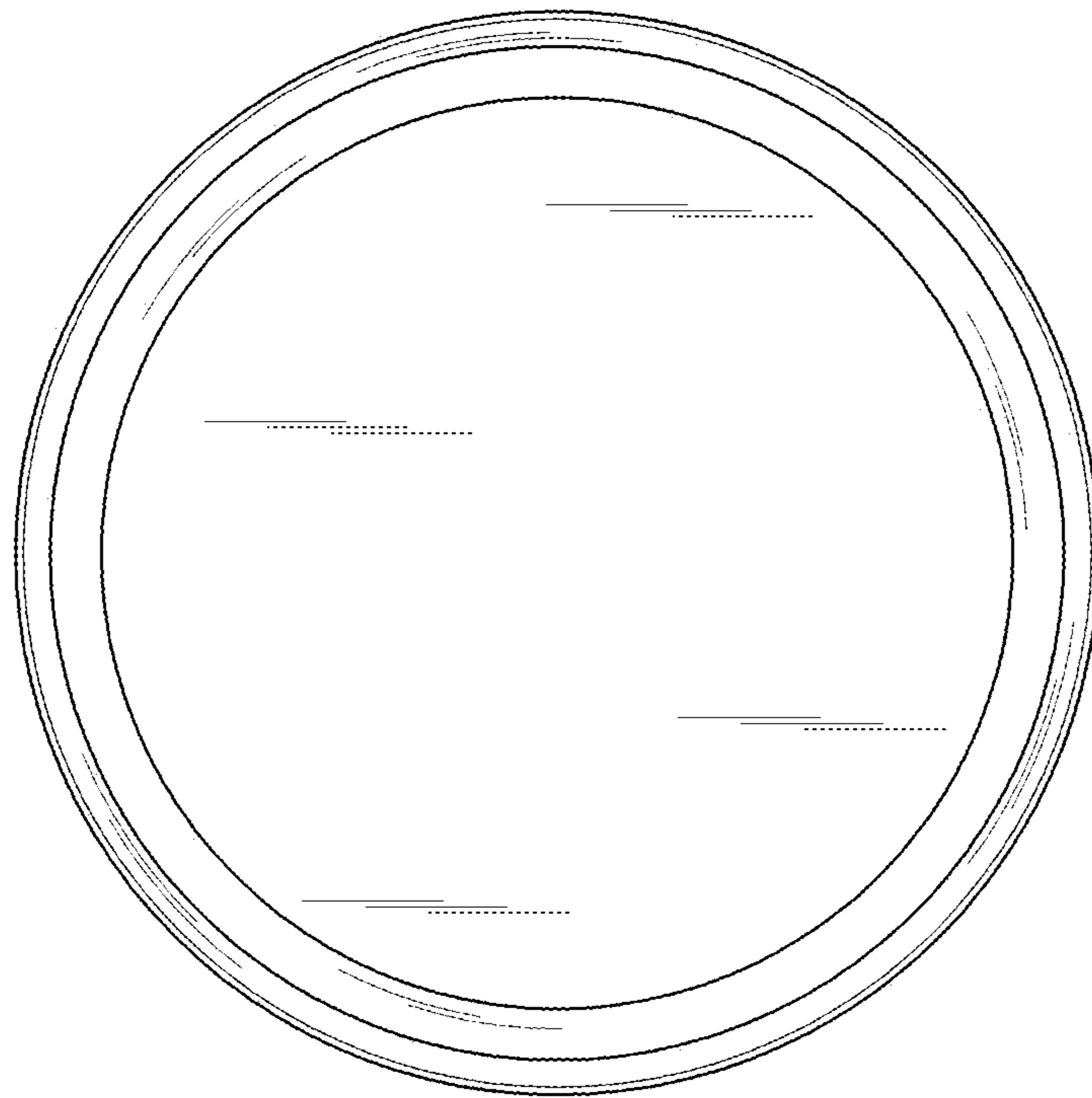


FIG. 8

