



US00D936038S

(12) **United States Design Patent**
Lim et al.

(10) **Patent No.:** **US D936,038 S**

(45) **Date of Patent:** **** Nov. 16, 2021**

(54) **AUDIO PLAYER**

(71) Applicant: **LG ELECTRONICS INC.**, Seoul (KR)

(72) Inventors: **Chulhee Lim**, Seoul (KR); **Kyungmin Kim**, Seoul (KR)

(73) Assignee: **LG ELECTRONICS INC.**, Seoul (KR)

(**) Term: **15 Years**

(21) Appl. No.: **29/715,265**

(22) Filed: **Nov. 29, 2019**

(51) **LOC (13) Cl.** **14-01**

(52) **U.S. Cl.**
USPC **D14/214**

(58) **Field of Classification Search**
USPC D14/209–219, 167–168, 170–172, 188,
D14/199, 194–196, 204, 221–222, 224,
D14/496, 265; D21/516, 513
CPC H04R 1/02; H04R 1/021; H04R 1/023;
H04R 5/00; H04R 9/06; H04R 2420/07
See application file for complete search history.

(56) **References Cited**

U.S. PATENT DOCUMENTS

D470,474 S *	2/2003	Kobayashi	D14/215
D592,645 S *	5/2009	Motoishi	D14/215
D747,698 S *	1/2016	Choi	D14/215
D829,191 S *	9/2018	Yang	D14/214
D862,411 S *	10/2019	Yang	D14/204
D871,370 S *	12/2019	Henricksen	D14/215
D875,065 S *	2/2020	Lee	D14/204
D891,394 S *	7/2020	Kim	D14/204
D891,395 S *	7/2020	Kim	D14/204
D895,573 S *	9/2020	Koehn	D14/214
2015/0373469 A1 *	12/2015	Pan	H04R 29/001 381/59
2016/0205464 A1 *	7/2016	Miyata	H04R 3/12 381/98
2017/0155986 A1 *	6/2017	Mahler	H04R 1/025

OTHER PUBLICATIONS

LG xBoom Wireless Party Speaker | ON9, euronics.ie, [online], [site visited Nov. 24, 2020], Available from internet URL: <https://euronics.ie/product/lg-xboom-wireless-party-speaker-on9/> (Year: 2020).*
Technical Pro Dual 10" Speaker Tower, first available Sep. 30, 2020, amazon.com, [online], [site visited Nov. 24, 2020], Available from internet URL: https://www.amazon.com/Technical-Pro-Bluetooth-Karaoke-Machine/dp/B07X55C717/ref=sr_1_1993?dchild=1&keywords=speaker&qid=1606239568%E2%80%A6 (Year: 2020).*

* cited by examiner

Primary Examiner — Samantha Q Lawrence

Assistant Examiner — Holly M Rodriguez

(74) *Attorney, Agent, or Firm* — Birch, Stewart, Kolasch & Birch, LLP

(57) **CLAIM**

The ornamental design for an audio player, as shown and described.

DESCRIPTION

FIG. 1 is a front, right side, perspective view of an audio player showing our new design; FIG. 2 is a front view thereof; FIG. 3 is a rear view thereof; FIG. 4 is a left side view thereof; FIG. 5 is a right side view thereof; FIG. 6 is a top view thereof; FIG. 7 is a bottom view thereof; and, FIG. 8 is an enlarged view of the speaker. The dash-dash broken lines depict portions of the audio player that form no part of the claimed design. The dot-dash broken line showing in FIGS. 2 and 8 is for the purpose of illustrating a partially enlarged view of region "1" of FIG. 2 and forms no part of the claimed design.

1 Claim, 7 Drawing Sheets

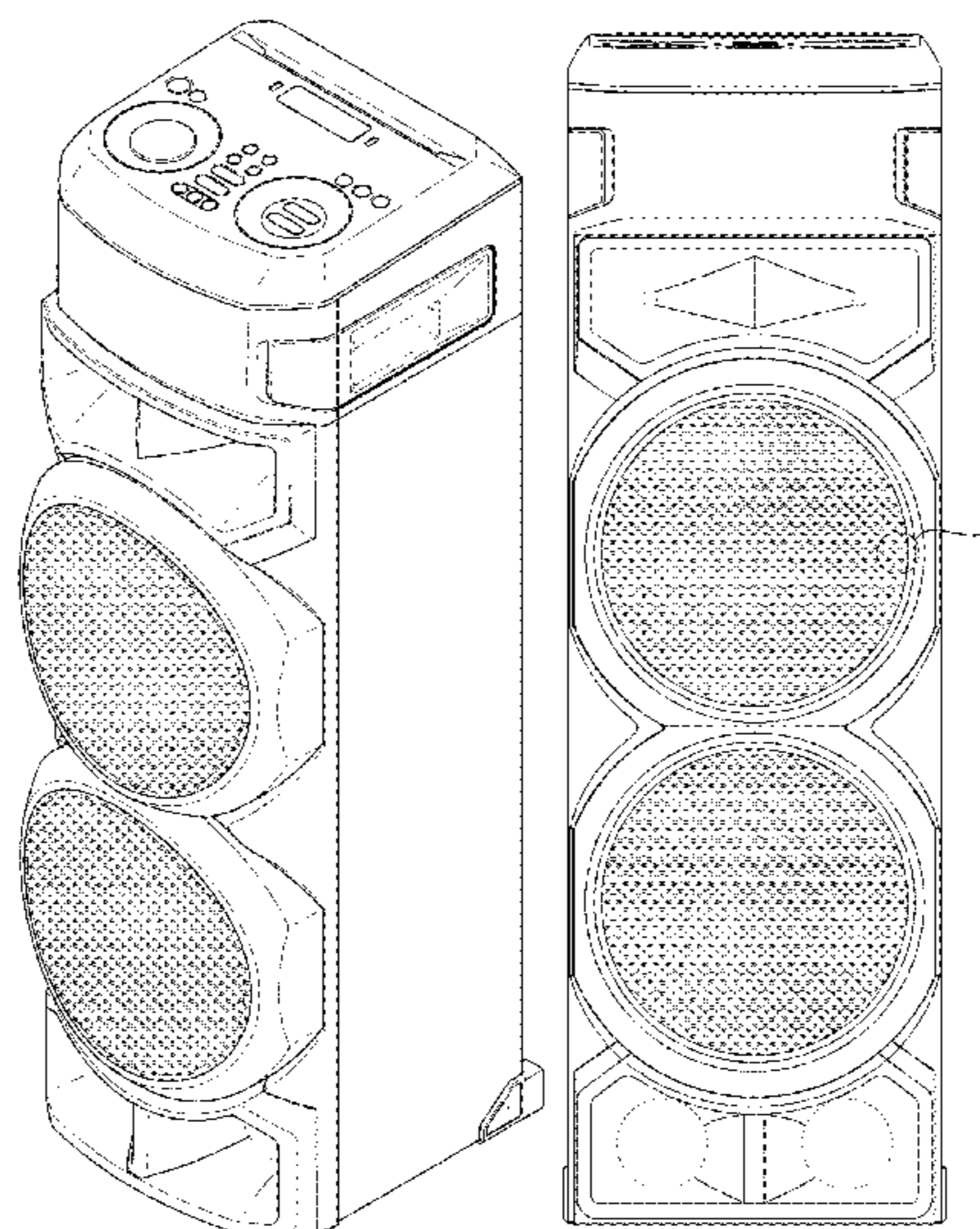


FIG. 1

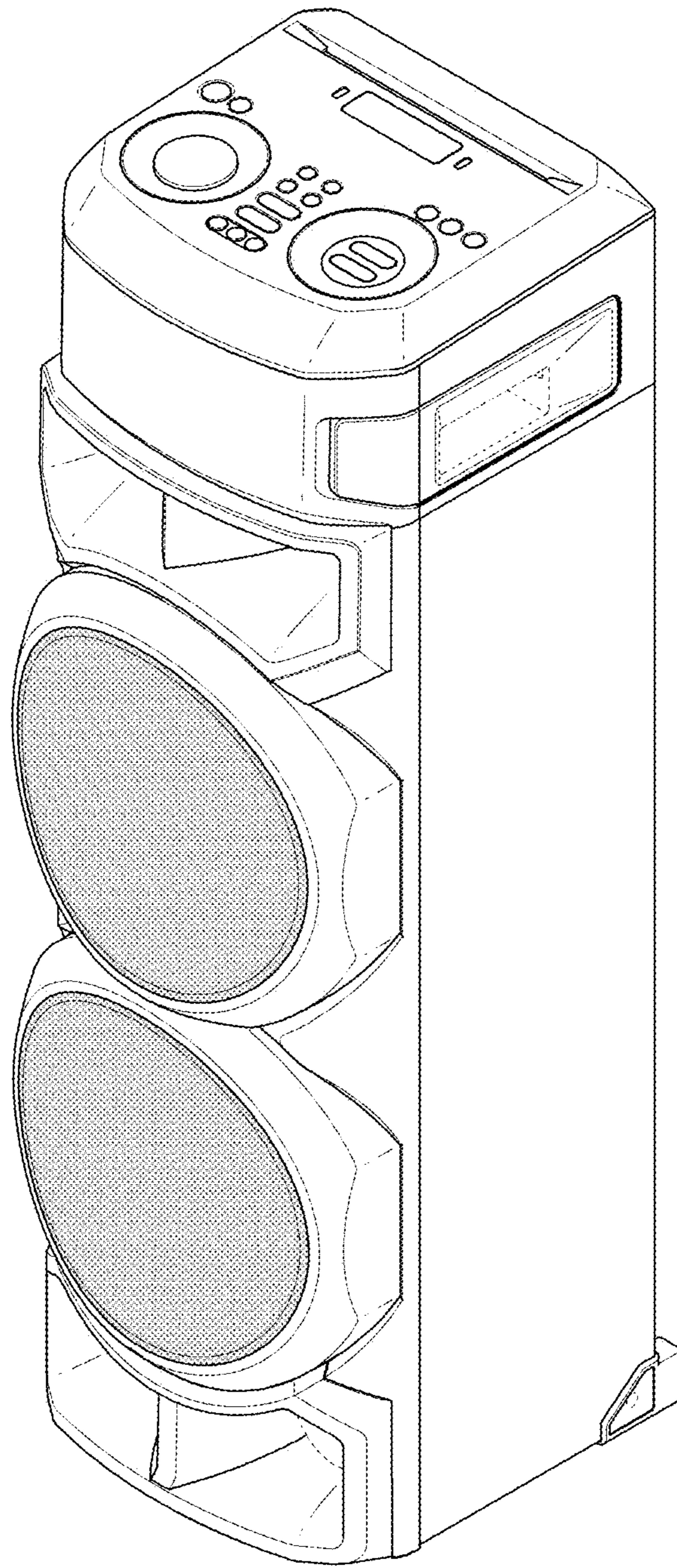


FIG. 2

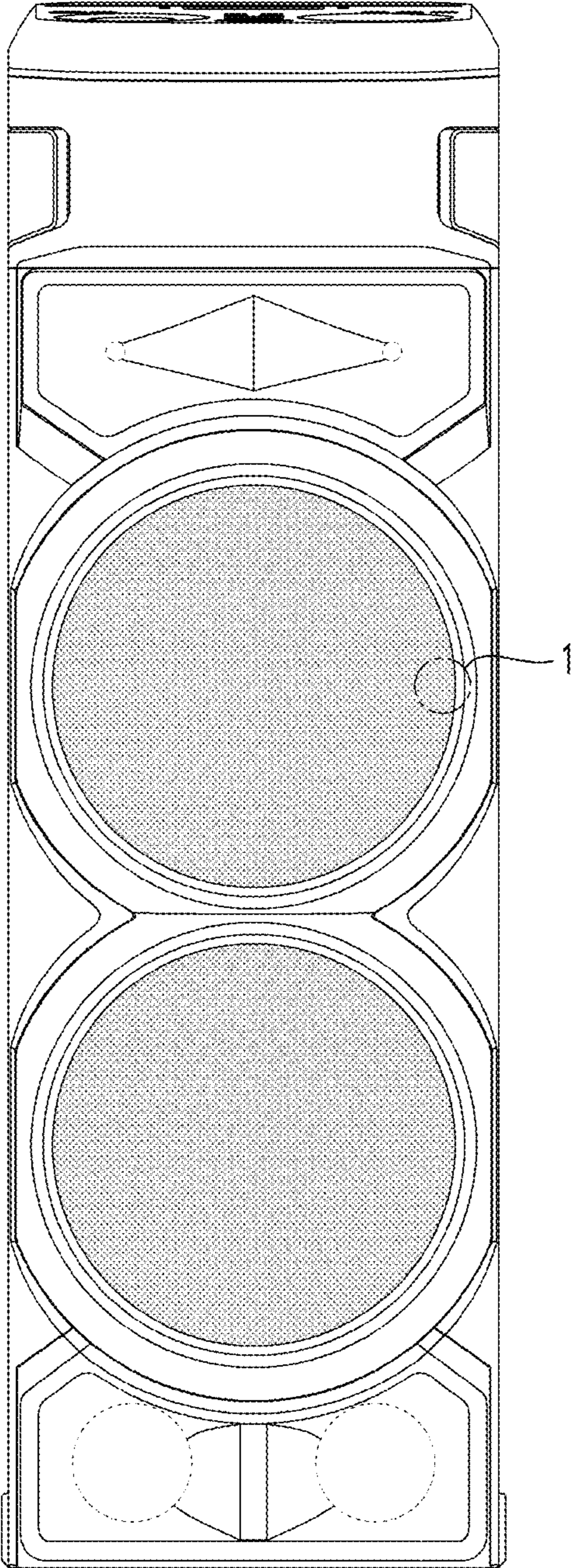


FIG. 3

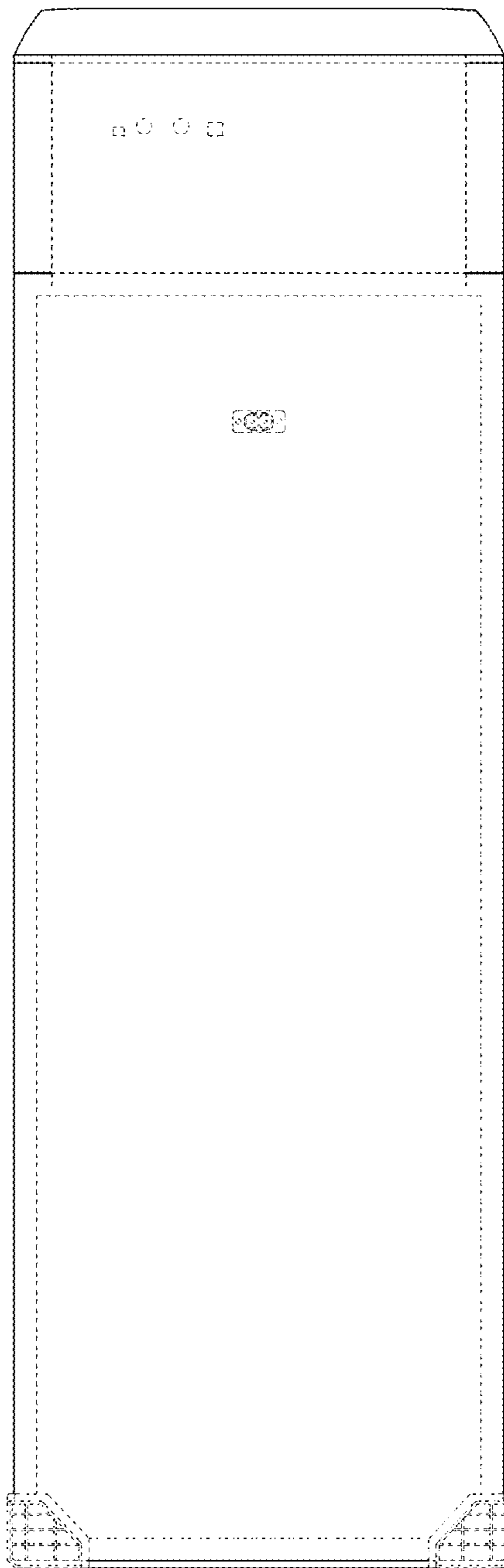


FIG. 4

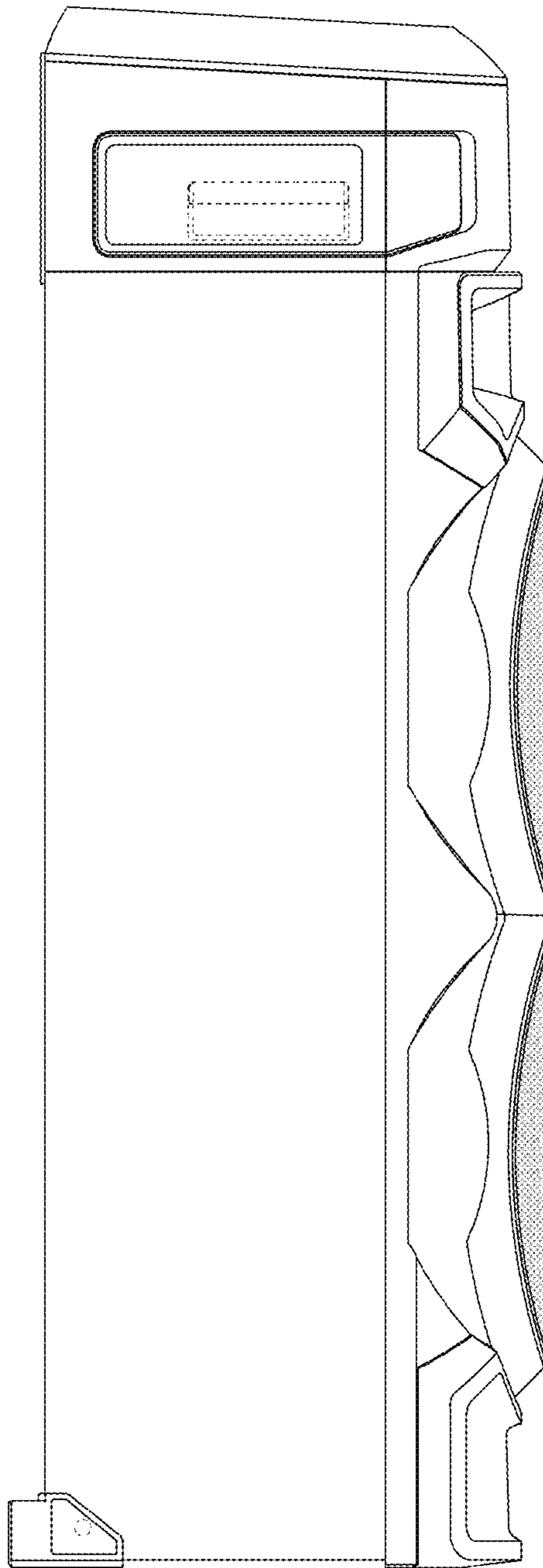


FIG. 5

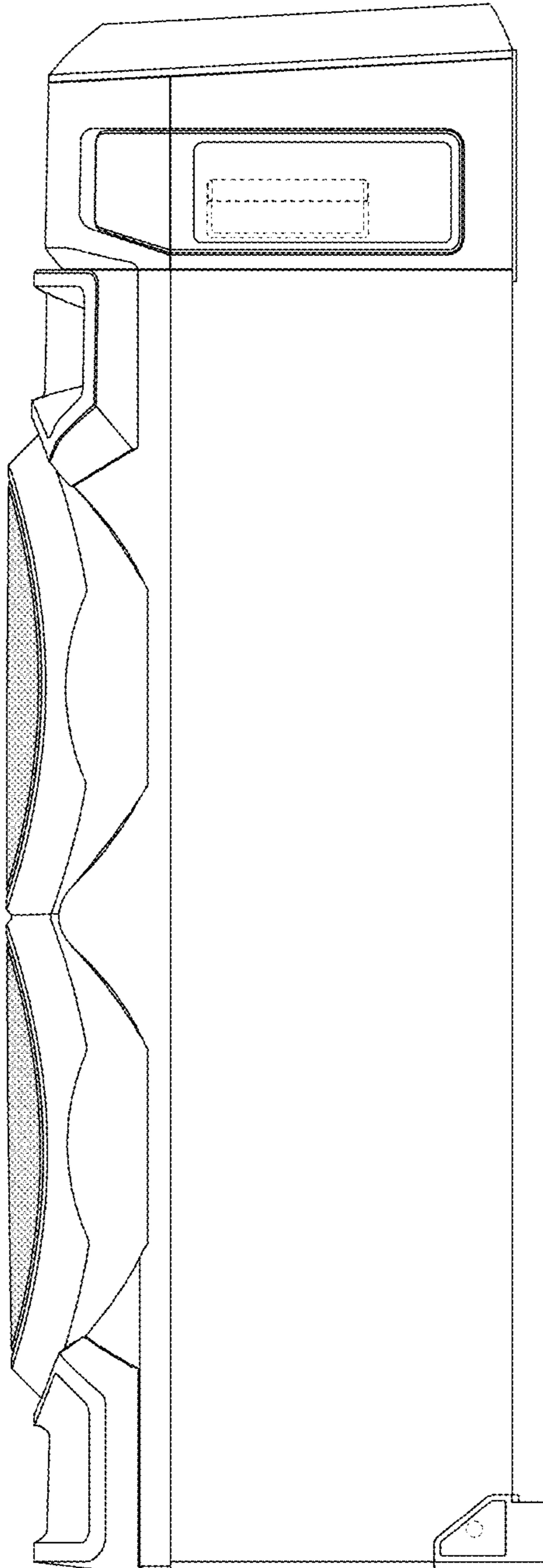


FIG. 6

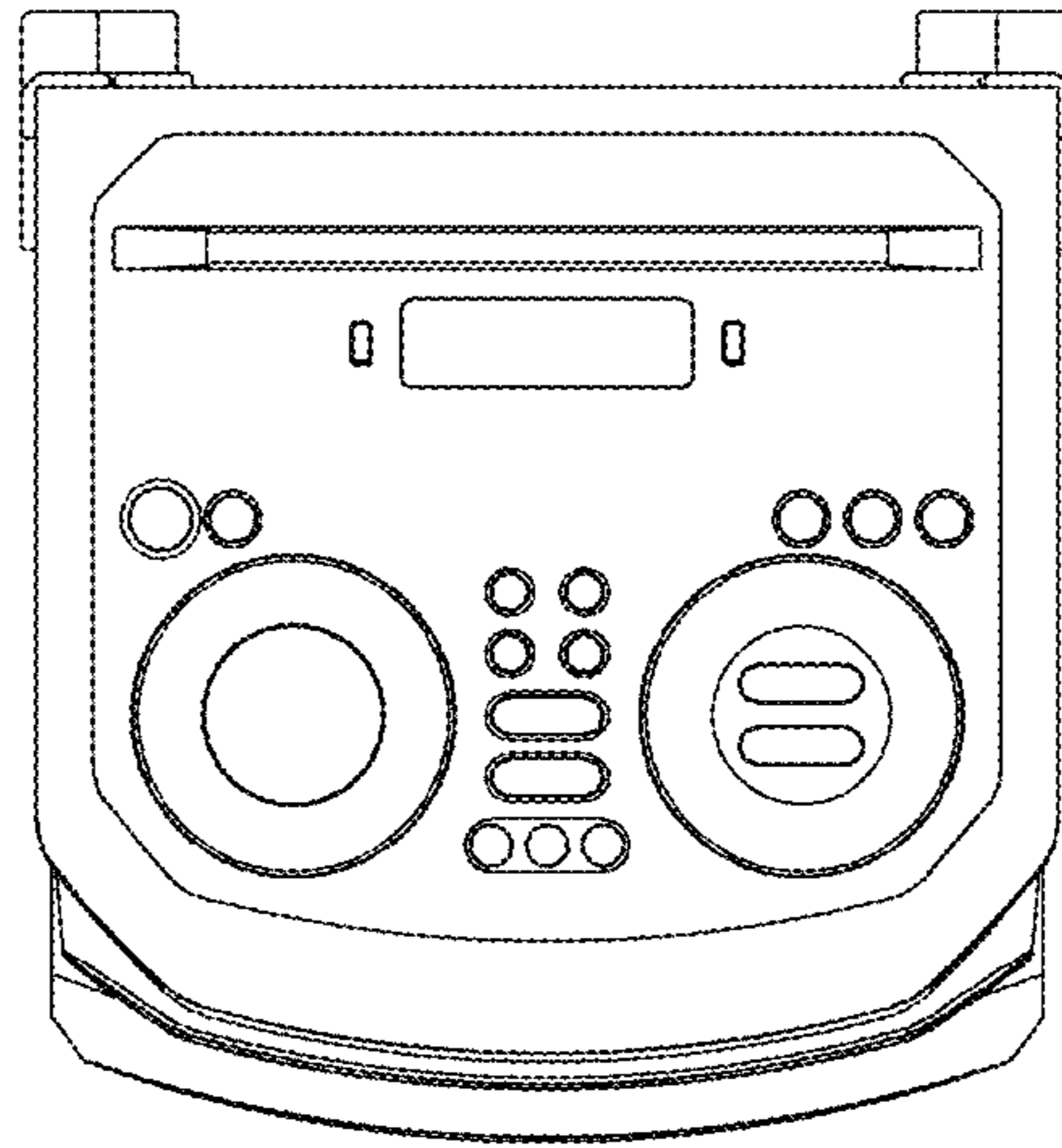


FIG. 7

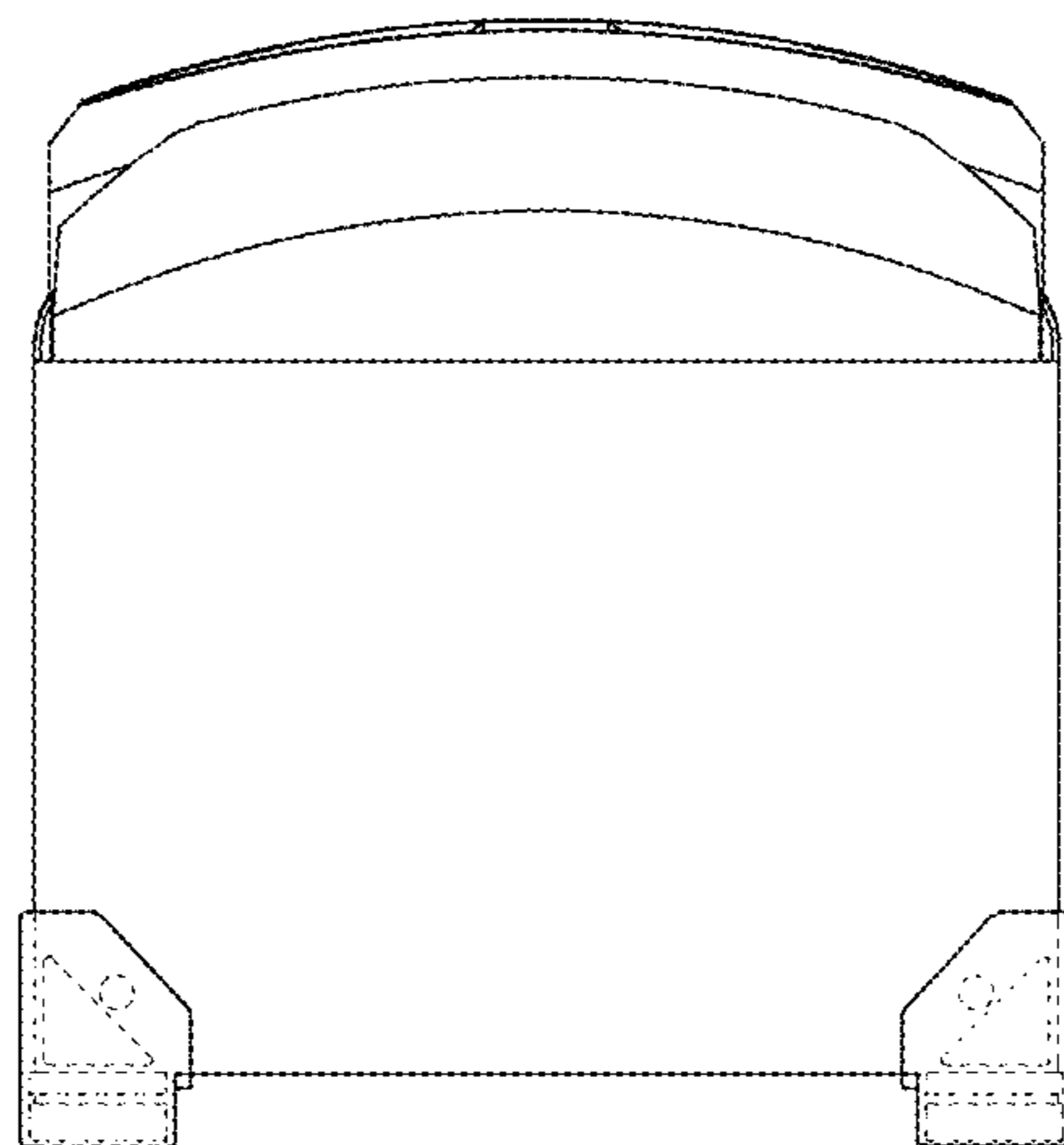


FIG. 8

