



US00D936037S

(12) **United States Design Patent** (10) **Patent No.:** **US D936,037 S**  
**Zhou** (45) **Date of Patent:** **\*\* Nov. 16, 2021**

(54) **EARPHONE**  
(71) Applicant: **SHENZHEN BAIFAN TECHNOLOGY CO., LTD.**, Shenzhen (CN)  
(72) Inventor: **Wenjie Zhou**, Kaifeng (CN)  
(73) Assignee: **SHENZHEN BAIFAN TECHNOLOGY CO., LTD.**, Shenzhen (CN)  
(\*\*) Term: **15 Years**  
(21) Appl. No.: **29/766,763**  
(22) Filed: **Jan. 19, 2021**  
(51) **LOC (13) Cl.** ..... **14-01**  
(52) **U.S. Cl.**  
USPC ..... **D14/206; D14/223**  
(58) **Field of Classification Search**  
USPC ..... D14/206, 223, 205, 219; D24/174;  
128/864, 865, 866; 381/380, 381, 328,  
381/322; 455/90.3, 575.1, 569.1;  
D13/108; D5/60  
CPC ..... H04R 1/10; H04R 25/00; H04R 25/02;  
H04R 1/1066; H04R 1/1016; H04R  
5/033; H04R 5/0335; H04R 1/1091;  
H04R 1/1083  
See application file for complete search history.

4,965,838 A \* 10/1990 Kamon ..... H04R 1/1016  
381/380  
D331,062 S \* 11/1992 Kanno ..... D14/223  
D337,119 S \* 7/1993 Taniguchi ..... D14/223  
D362,442 S \* 9/1995 Goldfarb ..... D14/215  
5,544,253 A \* 8/1996 Nagayoshi ..... H04R 1/1016  
381/385  
6,084,976 A \* 7/2000 Lin ..... H04R 1/1016  
181/129  
D431,553 S \* 10/2000 Suzuki ..... D14/223  
D474,171 S \* 5/2003 Suzuki ..... D14/206  
D487,077 S \* 2/2004 Obata ..... D14/223  
D499,397 S \* 12/2004 Hlas ..... D14/223  
D554,109 S \* 10/2007 Ledbetter ..... D14/223  
D566,099 S \* 4/2008 Komiyama ..... D14/206  
(Continued)

**FOREIGN PATENT DOCUMENTS**

CN 306216896 \* 12/2020  
CN 306570073 \* 5/2021  
(Continued)

*Primary Examiner* — Paula Allen Greene

(57) **CLAIM**

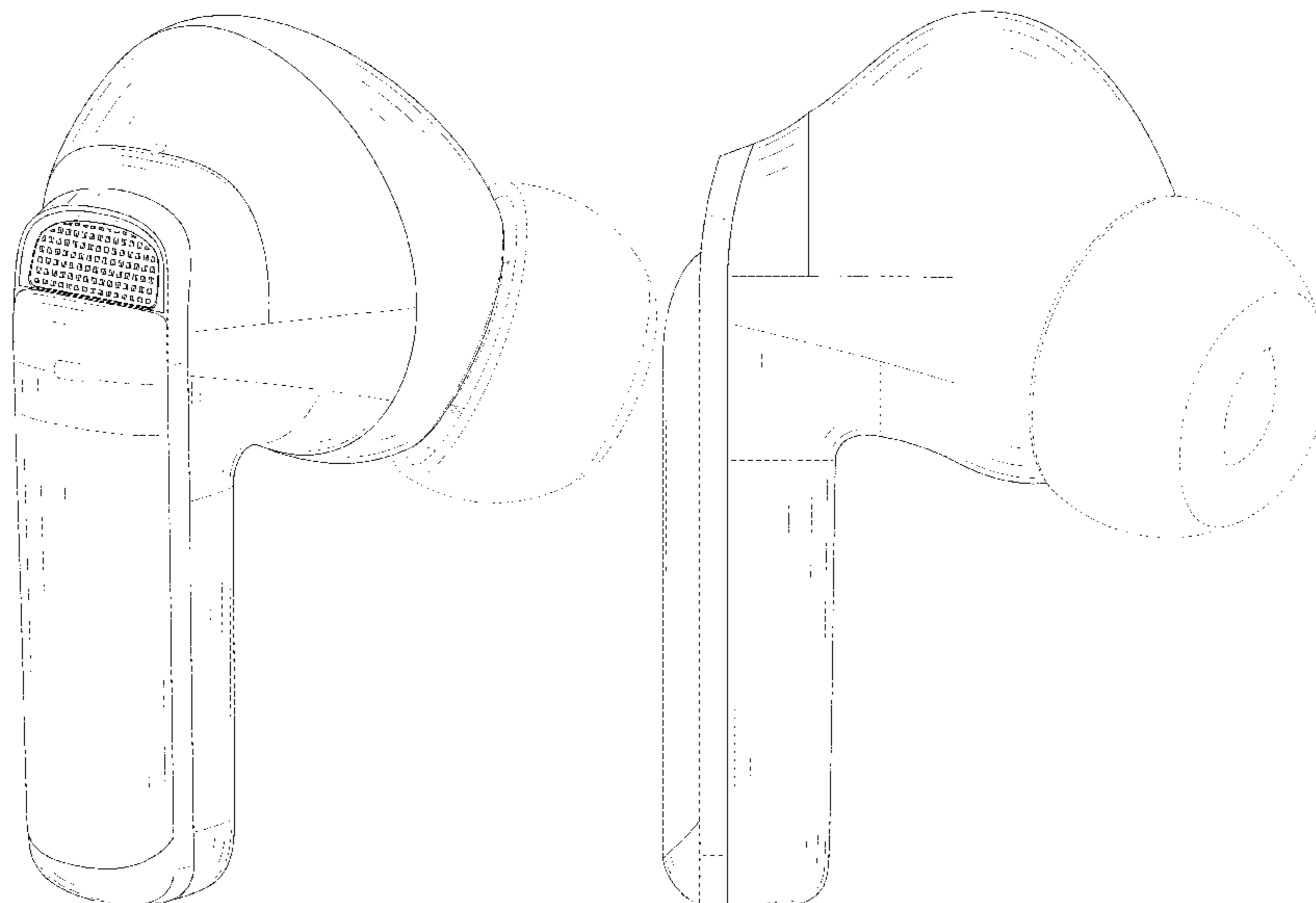
The ornamental design for an earphone, as shown and described.

**DESCRIPTION**

FIG. 1 is a perspective view of an earphone showing my new design;  
FIG. 2 is another perspective view thereof;  
FIG. 3 is a front elevational view thereof  
FIG. 4 is a rear elevational view thereof;  
FIG. 5 is a left side elevational view thereof;  
FIG. 6 is a right side elevational view thereof;  
FIG. 7 is a top plan view thereof; and,  
FIG. 8 is a bottom plan view thereof.  
The broken lines in the drawings depict portions of the earphone that form no part of the claimed design.

**1 Claim, 8 Drawing Sheets**

(56) **References Cited**  
U.S. PATENT DOCUMENTS  
3,197,576 A \* 7/1965 Martin ..... H04R 25/656  
381/322  
4,429,194 A \* 1/1984 Kamon ..... H04R 1/1016  
381/380  
4,646,872 A \* 3/1987 Kamon ..... H04R 1/225  
181/129  
4,668,842 A \* 5/1987 Yokoyama ..... H04R 1/1066  
381/380



(56)

References Cited

U.S. PATENT DOCUMENTS

D582,397 S \* 12/2008 Christopher ..... D14/205  
 D606,971 S \* 12/2009 Christopher ..... D14/205  
 D628,564 S \* 12/2010 Chong ..... D14/223  
 D643,416 S \* 8/2011 Chong ..... D14/223  
 D647,081 S \* 10/2011 Kwon ..... D14/223  
 D678,906 S \* 3/2013 Lee ..... D14/496  
 8,831,266 B1 \* 9/2014 Huang ..... H04R 1/2811  
 381/380  
 D718,745 S \* 12/2014 Thompson ..... D14/223  
 D719,548 S \* 12/2014 Thompson ..... D14/223  
 D773,435 S \* 12/2016 Ott ..... D14/205  
 D829,193 S \* 9/2018 Cai ..... D14/223  
 D832,824 S \* 11/2018 Kim ..... D14/223  
 D866,530 S 11/2019 Birger  
 D877,722 S \* 3/2020 Yang ..... D14/223  
 D878,337 S \* 3/2020 Yang ..... D14/223  
 D884,682 S \* 5/2020 Du ..... D14/223  
 D892,086 S 8/2020 Bonahoom et al.  
 D893,462 S \* 8/2020 Liu ..... D14/223  
 D896,206 S \* 9/2020 Xu ..... D14/223  
 D896,207 S \* 9/2020 He ..... D14/223  
 D903,639 S \* 12/2020 Yang ..... D14/223  
 D907,010 S \* 1/2021 Akana ..... D14/223  
 D910,600 S \* 2/2021 Zhang ..... D14/223  
 D914,648 S \* 3/2021 Zhou ..... D14/223

D914,652 S \* 3/2021 Chen ..... D14/223  
 D916,058 S \* 4/2021 Wu ..... D14/223  
 D916,683 S \* 4/2021 Yao ..... D14/223  
 D916,685 S \* 4/2021 Fang ..... D14/223  
 D920,293 S \* 5/2021 Chen ..... D14/223  
 D922,987 S \* 6/2021 Yoo ..... D14/223  
 D924,209 S \* 7/2021 Wu ..... D14/223  
 D924,851 S \* 7/2021 Li ..... D14/223  
 D924,852 S \* 7/2021 Liu ..... D14/223  
 D925,498 S \* 7/2021 Lin ..... D14/223  
 D925,499 S \* 7/2021 Xie ..... D14/223  
 D926,733 S \* 8/2021 Wu ..... D14/223  
 D928,126 S \* 8/2021 Chen ..... D14/223  
 2008/0013773 A1 \* 1/2008 Yang ..... H04R 1/2826  
 381/379  
 2012/0003937 A1 \* 1/2012 Zhong ..... H04R 1/1091  
 455/41.3  
 2020/0107103 A1 \* 4/2020 Chen ..... H04R 1/1083  
 2020/0382856 A1 \* 12/2020 Liu ..... H04R 1/2826

FOREIGN PATENT DOCUMENTS

CN 306570078 \* 5/2021  
 CN 306611838 \* 6/2021  
 CN 306611840 \* 6/2021  
 EM 008056667-0001 \* 7/2020  
 EM 008405997-0001 \* 2/2021

\* cited by examiner

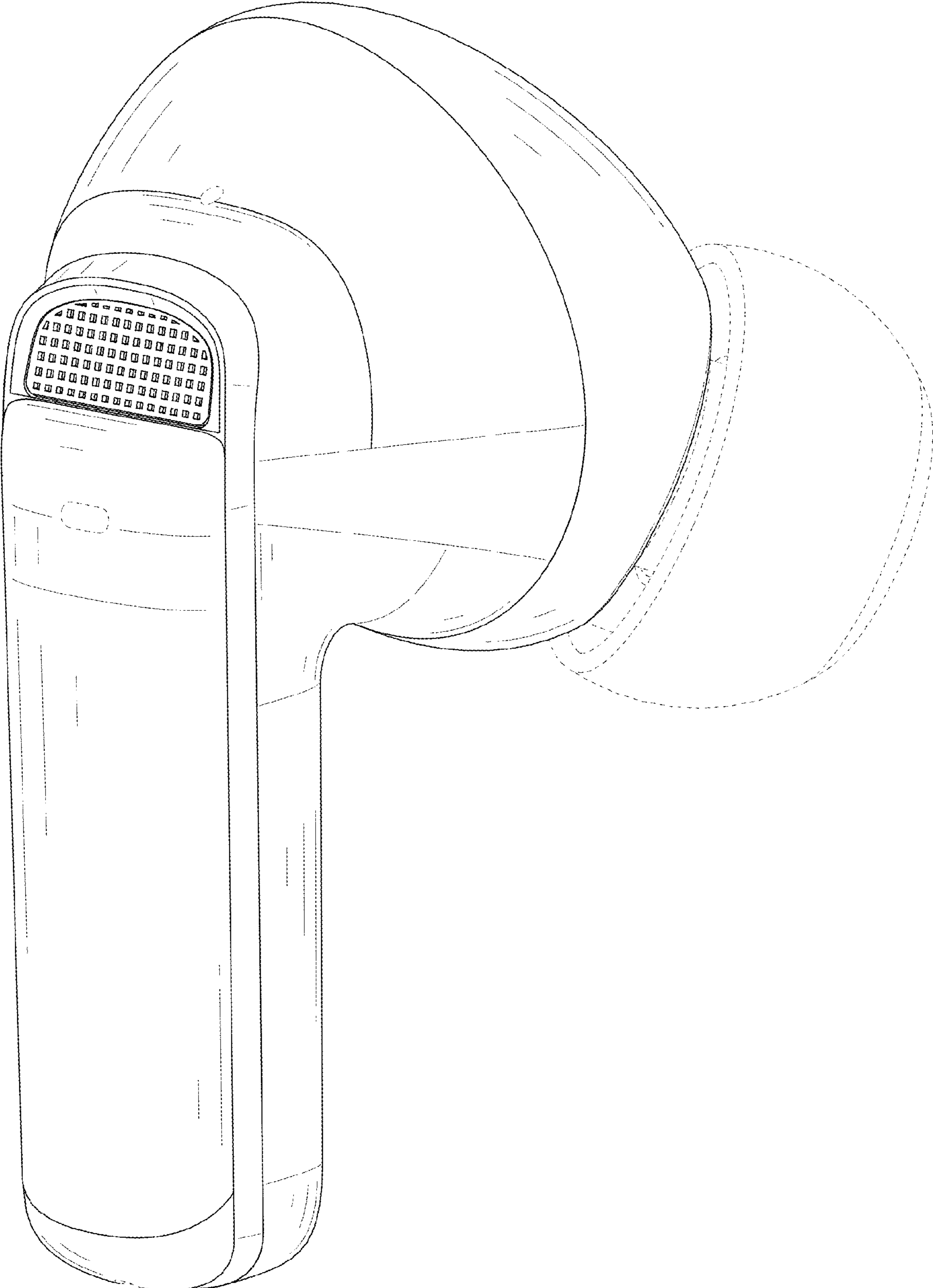


FIG. 1

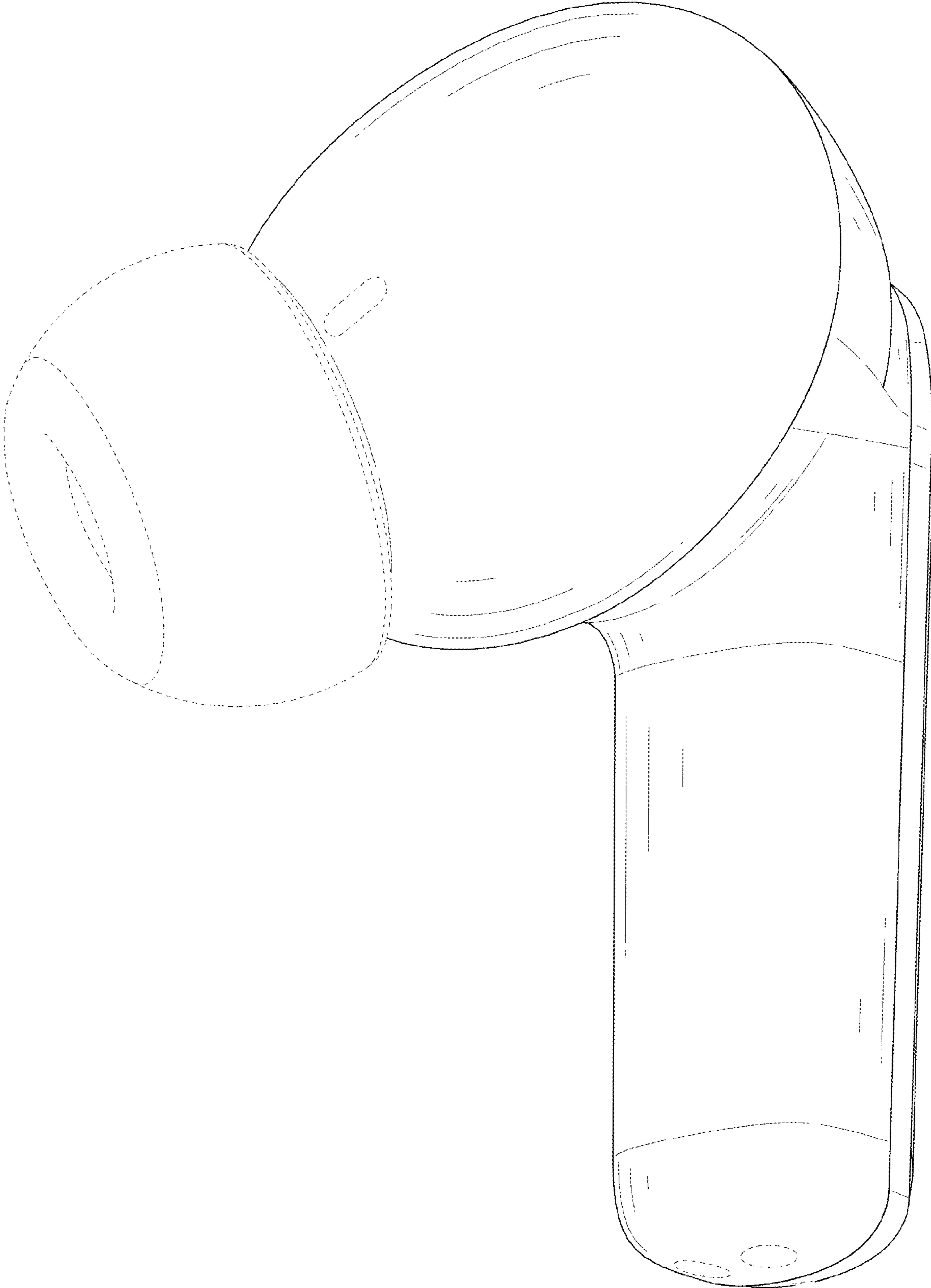


FIG. 2

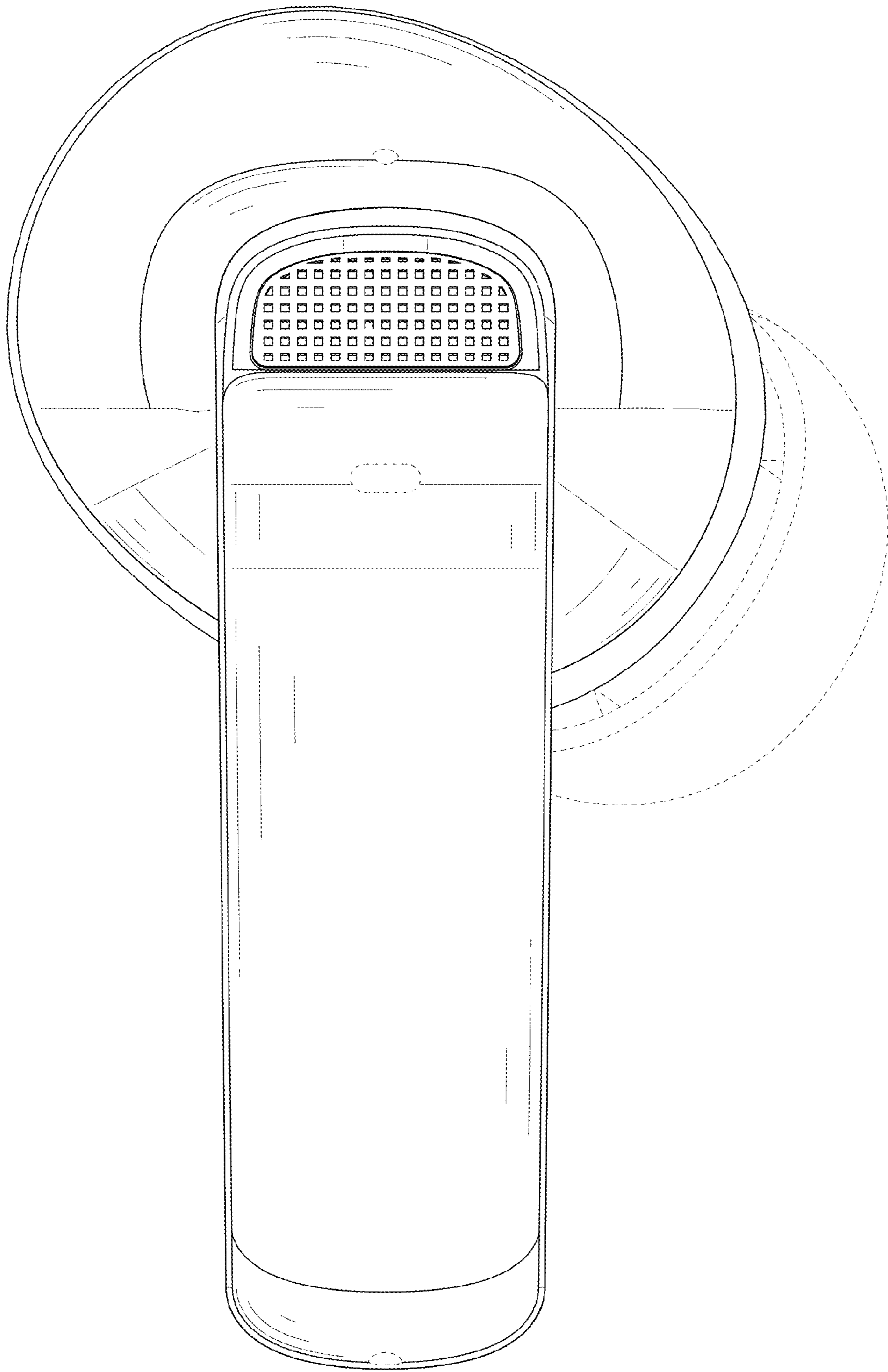


FIG. 3

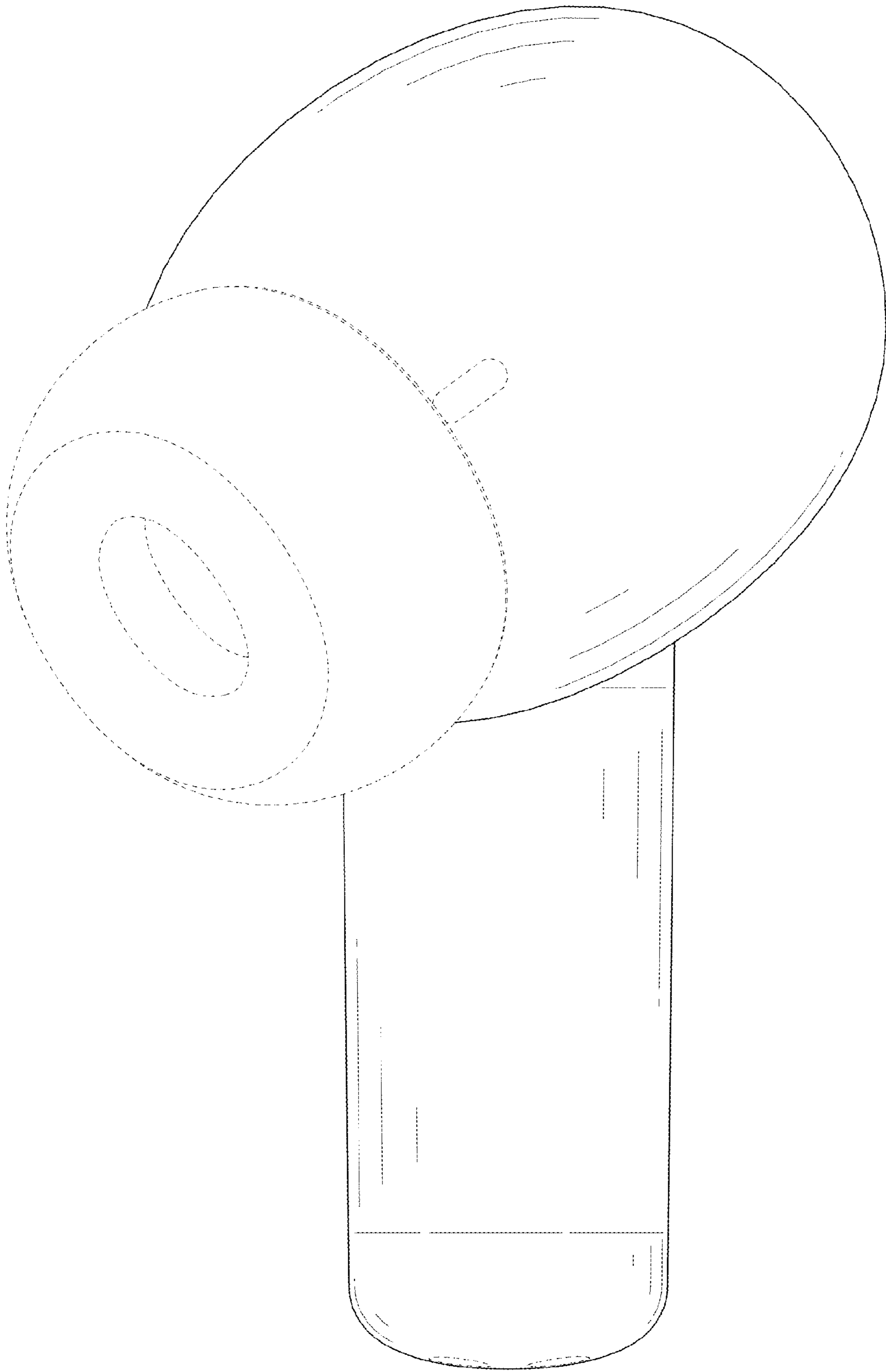


FIG. 4

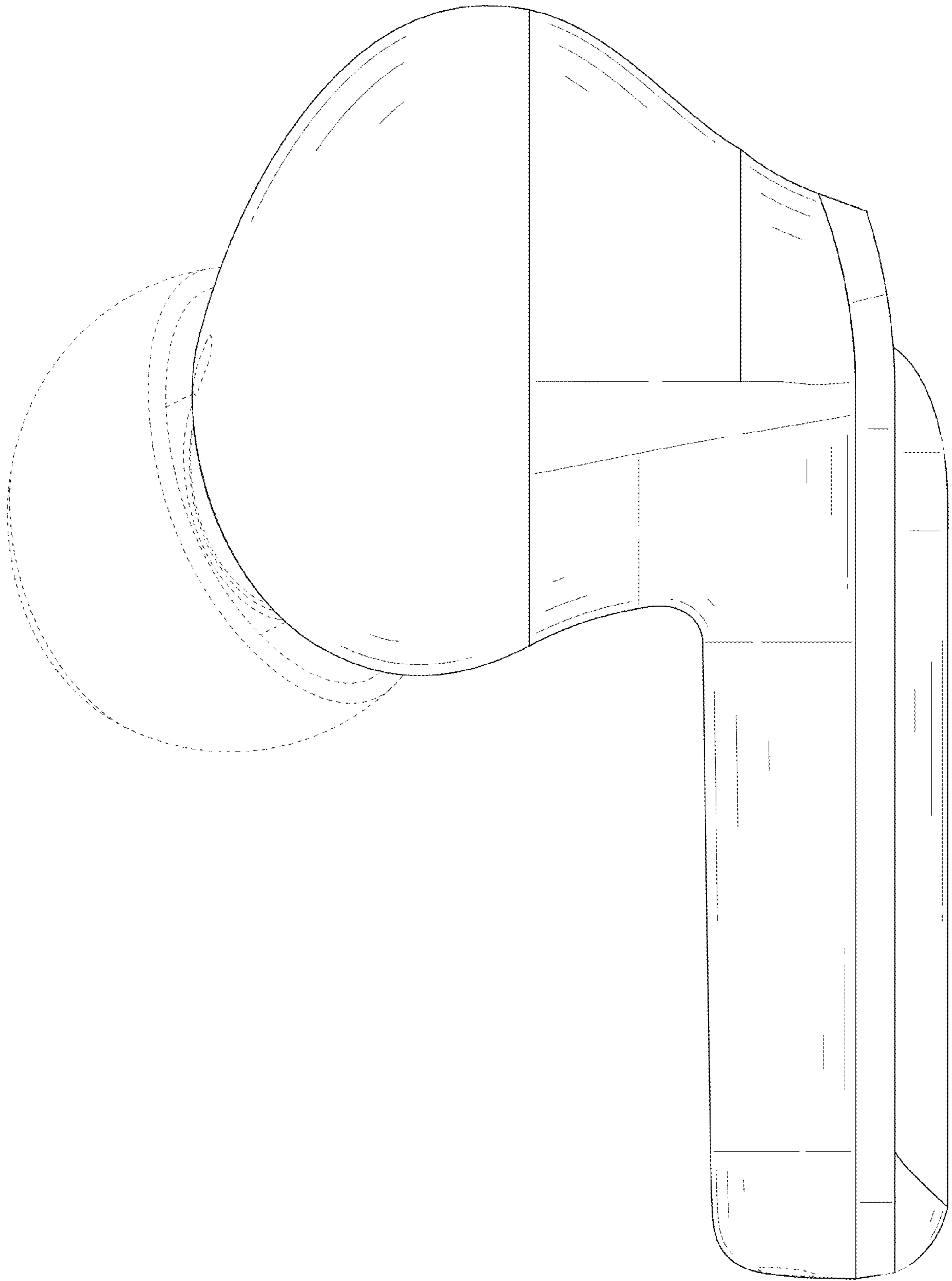


FIG. 5

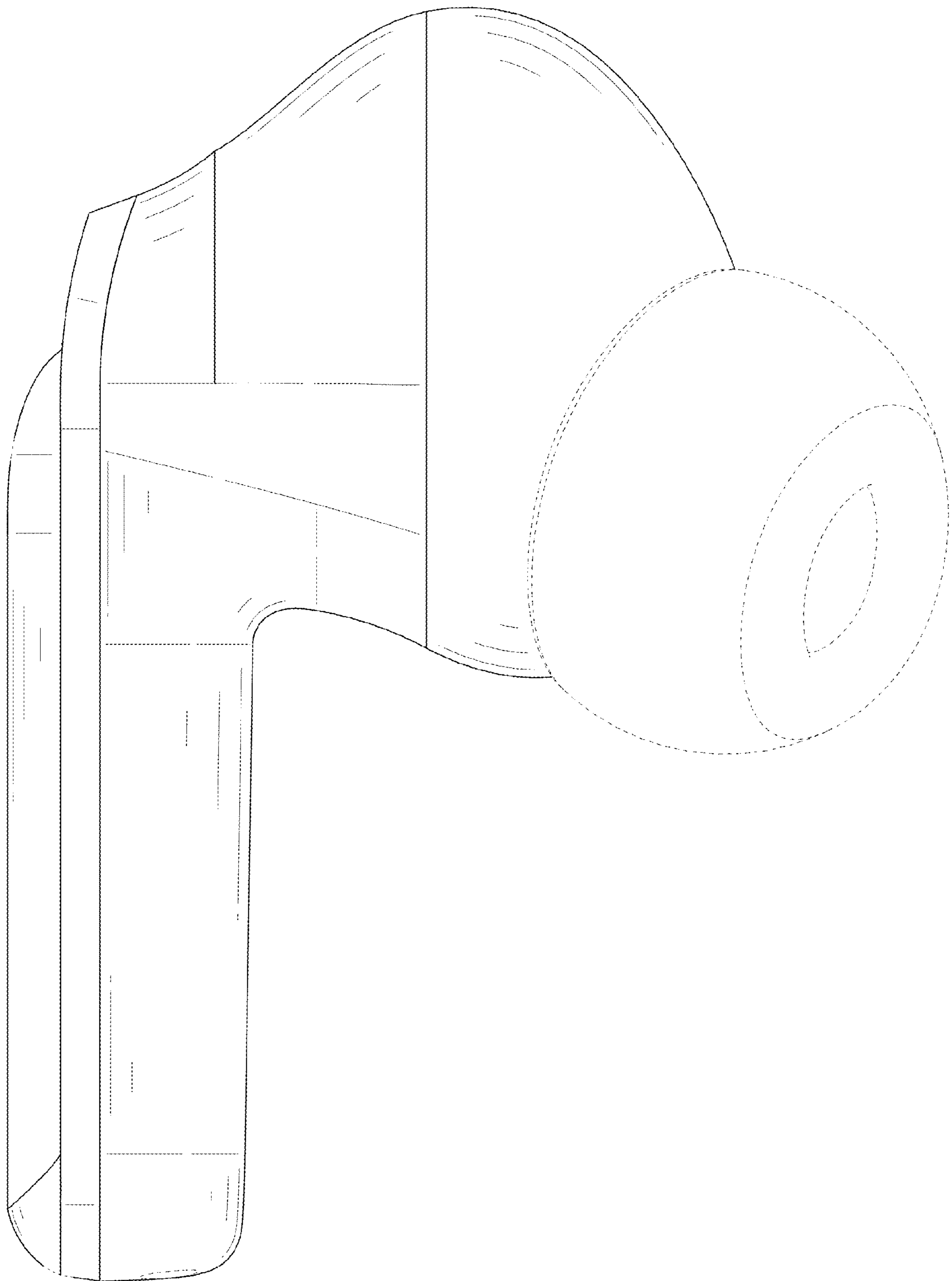


FIG. 6



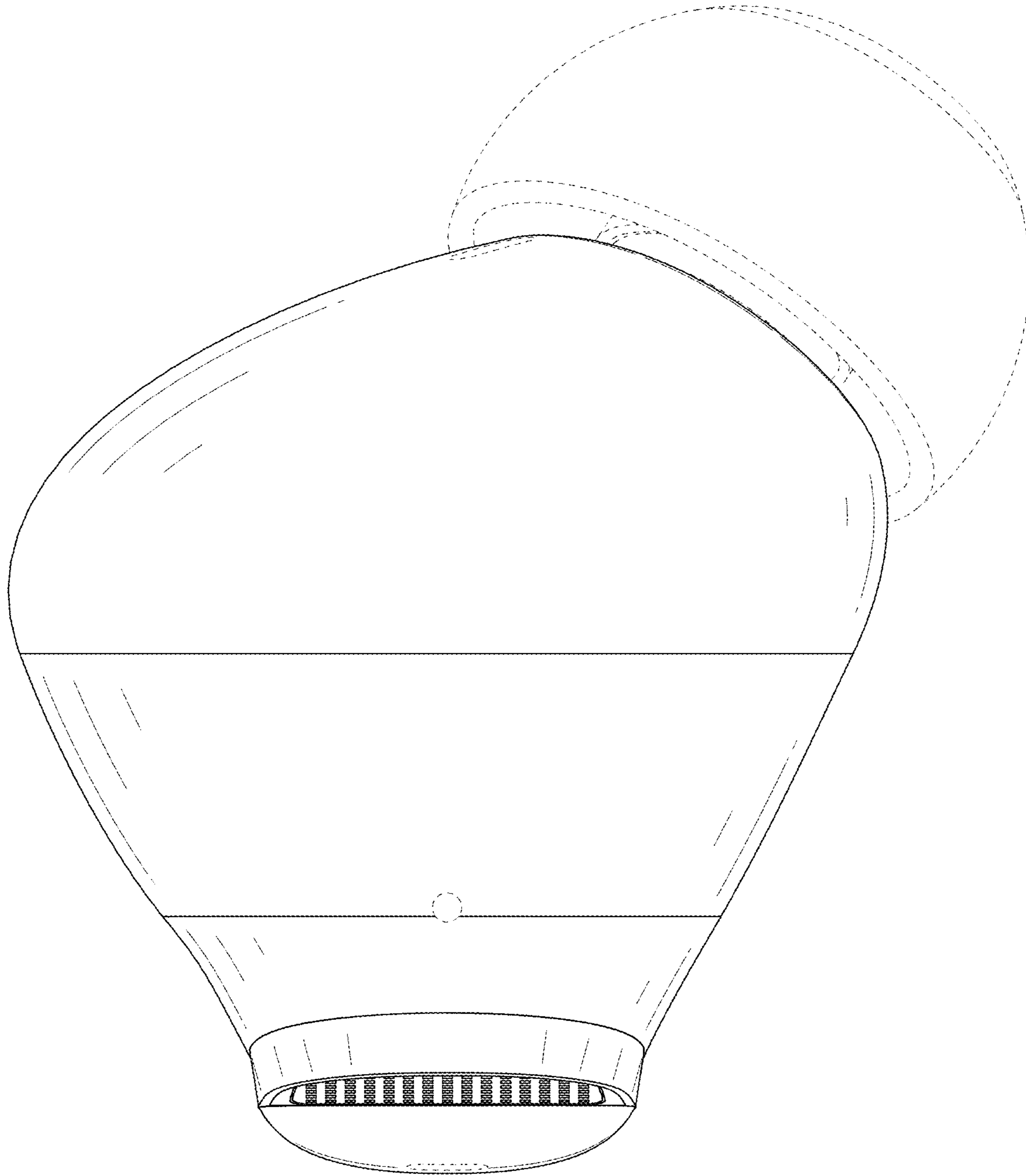


FIG. 7

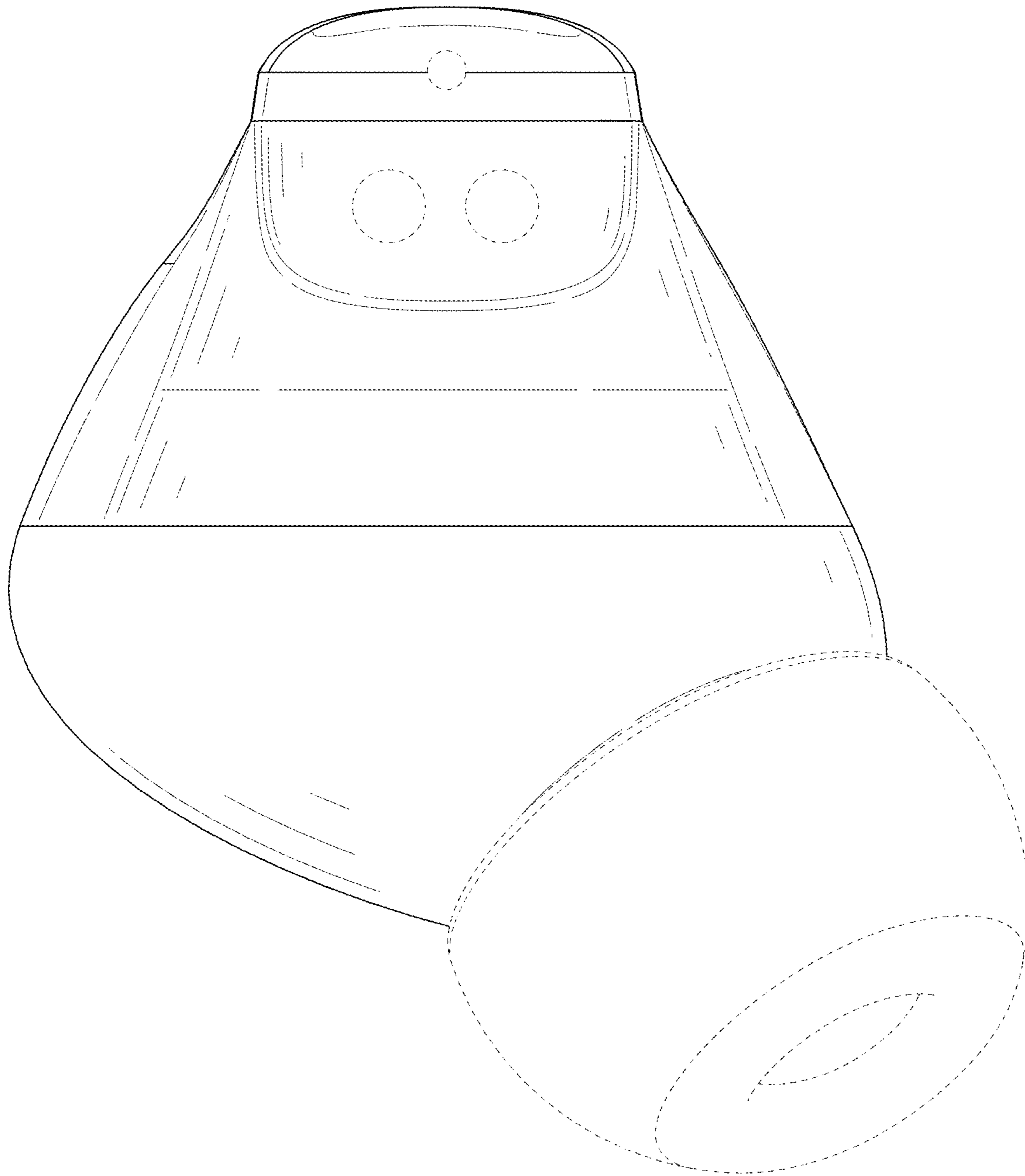


FIG. 8