



US00D936035S

(12) **United States Design Patent**
Tang et al.

(10) **Patent No.:** **US D936,035 S**

(45) **Date of Patent:** **** Nov. 16, 2021**

(54) **WIRELESS HEADSET**

(71) Applicant: **SHENZHEN GRANDSUN ELECTRONIC CO., LTD.**,
Guangdong (CN)

(72) Inventors: **Zhonghui Tang**, Shenzhen (CN);
Haiquan Wu, Guangdong (CN); **Jiugao Peng**, Shenzhen (CN)

(73) Assignee: **Shenzhen Grandsun Electronic Co., LTD.**, Shenzhen (CN)

(**) Term: **15 Years**

(21) Appl. No.: **29/721,989**

(22) Filed: **Jan. 24, 2020**

(30) **Foreign Application Priority Data**

Sep. 3, 2019 (CN) 201930482844.8

(51) **LOC (13) Cl.** **14-01**

(52) **U.S. Cl.**
USPC **D14/205**

(58) **Field of Classification Search**
USPC D14/205, 188, 192; D29/112; 2/209;
381/380, 381, 374; 455/90.3, 575.1,
455/569.1

CPC H04R 25/00; H04R 25/02; H04R 1/1066;
H04R 1/1016; H04R 5/033; H04R
5/0335; H04R 1/10

See application file for complete search history.

(56) **References Cited**

U.S. PATENT DOCUMENTS

- D203,677 S * 2/1966 Spillman D14/205
- D297,324 S * 8/1988 Kohno D14/205
- D316,861 S * 5/1991 Yoda D14/205
- D318,669 S * 7/1991 Nakayama D14/205
- D328,461 S * 8/1992 Daido D14/205

- D373,360 S * 9/1996 Kanno D14/205
- D375,312 S * 11/1996 Kanno D14/205
- D377,021 S * 12/1996 Isono D14/205
- 6,195,441 B1 * 2/2001 Ito H04R 5/0335
381/381
- 6,385,325 B1 * 5/2002 Nageno H04R 1/1066
381/374
- D484,485 S * 12/2003 Matsuoka D14/205
- D502,938 S * 3/2005 Tokioka D14/205
- D532,407 S * 11/2006 Motoishi D14/205
- D544,464 S * 6/2007 Lee D14/205
- D584,715 S * 1/2009 Brennwald D14/205
- D588,098 S * 3/2009 Kurihara D14/205
- D594,847 S * 6/2009 Suzuki D14/205
- D600,674 S * 9/2009 Brennwald D14/205

(Continued)

FOREIGN PATENT DOCUMENTS

- CN 306460431 * 4/2021
- EM 004163574-0008 * 8/2017

(Continued)

Primary Examiner — Paula Allen Greene

(74) *Attorney, Agent, or Firm* — Robert L. Stearns;
Dickinson Wright, PLLC

(57) **CLAIM**

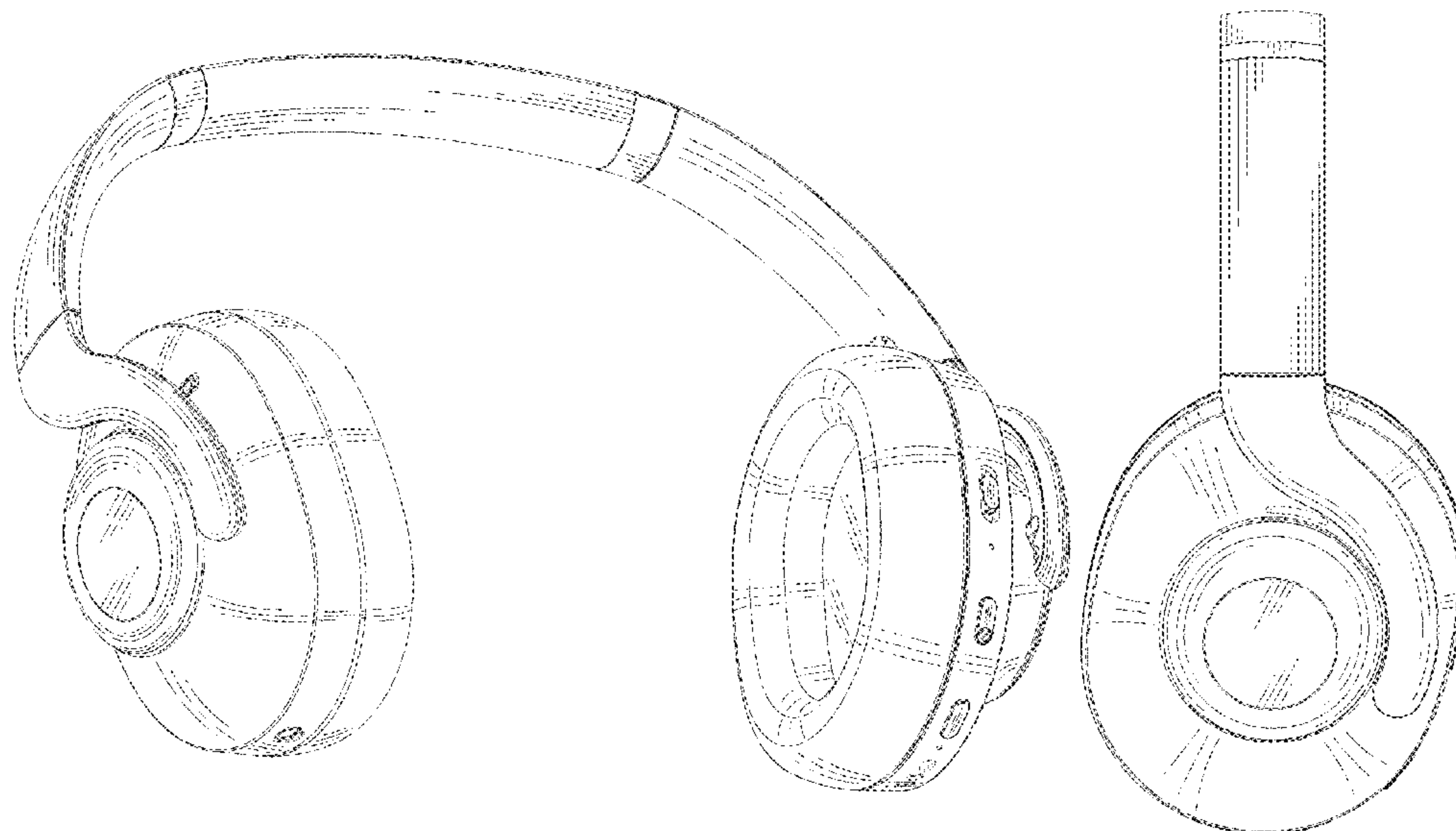
The ornamental design for a “wireless headset,” as shown and described.

DESCRIPTION

FIG. 1 is a front perspective view of a wireless headset;
FIG. 2 is a front view thereof;
FIG. 3 is a rear view thereof;
FIG. 4 is a side view of FIG. 1 thereof;
FIG. 5 is a side view of FIG. 1 thereof;
FIG. 6 is a top view thereof; and,
FIG. 7 is a bottom view thereof.

The broken lines in the figures depict portions of the wireless headset that form no part of the claimed design.

1 Claim, 7 Drawing Sheets



(56)

References Cited

U.S. PATENT DOCUMENTS

D639,776 S * 6/2011 Arimoto D14/205
 D648,318 S * 11/2011 Huang D14/206
 D656,125 S * 3/2012 Komiyama D14/205
 D684,140 S * 6/2013 Enquist D14/205
 D691,109 S * 10/2013 Hardi D14/205
 D691,984 S * 10/2013 Wang D14/205
 D700,590 S * 3/2014 Heath D14/205
 D704,161 S * 5/2014 Morimoto H04R 1/1066
 D14/205
 D706,240 S * 6/2014 Szymanski H04R 1/1066
 D14/205
 D706,241 S * 6/2014 Szymanski H04R 1/1066
 D14/205
 D706,242 S * 6/2014 Yang H04R 1/1066
 D14/205
 D707,653 S * 6/2014 Hardi H04R 1/10
 D14/205
 D708,163 S * 7/2014 Ishikura D14/205
 D711,348 S * 8/2014 Yang D14/205
 D712,375 S * 9/2014 Miyake D14/205
 D727,289 S * 4/2015 Czaniecki D14/205
 D728,512 S * 5/2015 Nakagawa D14/205
 D729,194 S * 5/2015 Boeckel D14/205
 D733,090 S * 6/2015 Petersen D14/205
 D750,593 S * 3/2016 Hardi H04R 1/10
 D14/205
 D757,680 S * 5/2016 Kelly D14/205
 D758,991 S * 6/2016 Petersen D14/205

D759,626 S * 6/2016 Wagner D14/205
 D771,012 S * 11/2016 Wagner D14/205
 D773,434 S * 12/2016 Wu D14/205
 D777,701 S * 1/2017 Czaniecki D14/205
 D791,101 S * 7/2017 Petersen D14/205
 D795,218 S * 8/2017 Ohmachi D14/205
 D809,475 S * 2/2018 Dryden D14/205
 D816,061 S * 4/2018 Ando D14/205
 D826,209 S * 8/2018 Homewood D14/205
 D829,686 S * 10/2018 Davi D14/205
 D830,330 S * 10/2018 Petersen D14/205
 D830,331 S * 10/2018 Petersen D14/205
 D830,333 S * 10/2018 Carr D14/205
 D830,334 S * 10/2018 Carr D14/205
 D837,764 S * 1/2019 Xiao D14/205
 10,419,840 B2 * 9/2019 Lu H04R 1/105
 D861,635 S * 10/2019 Davi D14/205
 D879,742 S * 3/2020 Hu D14/205
 D893,453 S * 8/2020 Levine D14/205
 D897,309 S * 9/2020 Cho D14/205
 D900,057 S * 10/2020 Shan D14/205
 2016/0080853 A1 * 3/2016 Chen H04R 1/1083
 381/74
 2017/0359645 A1 * 12/2017 Chen H01Q 13/10
 2019/0110122 A1 * 4/2019 Zelnick H04R 1/1066
 2019/0110123 A1 * 4/2019 Baker H04R 1/1075

FOREIGN PATENT DOCUMENTS

EM 006538716-0003 * 5/2019
 GB 6116647 * 8/2020

* cited by examiner

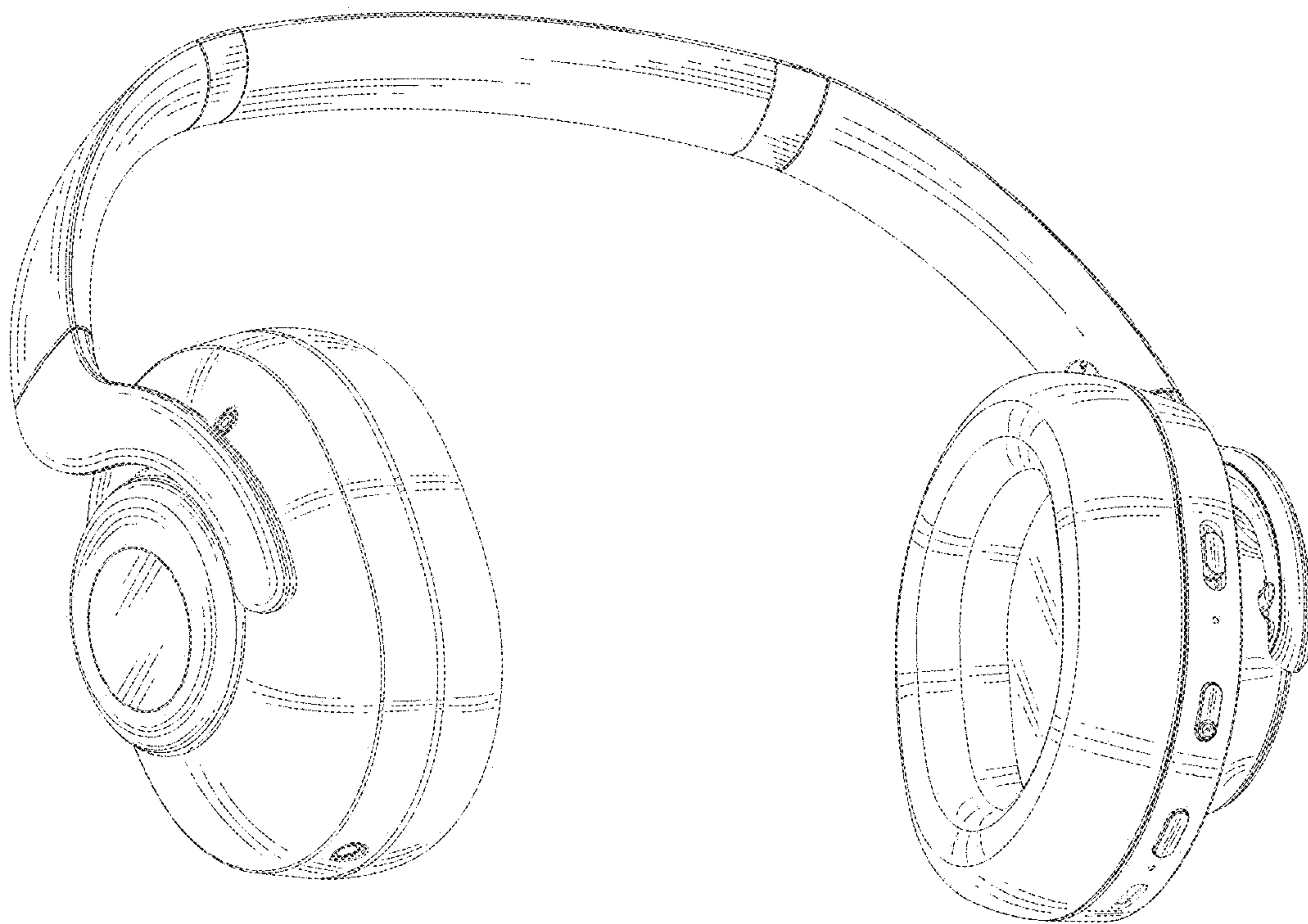


FIG. 1

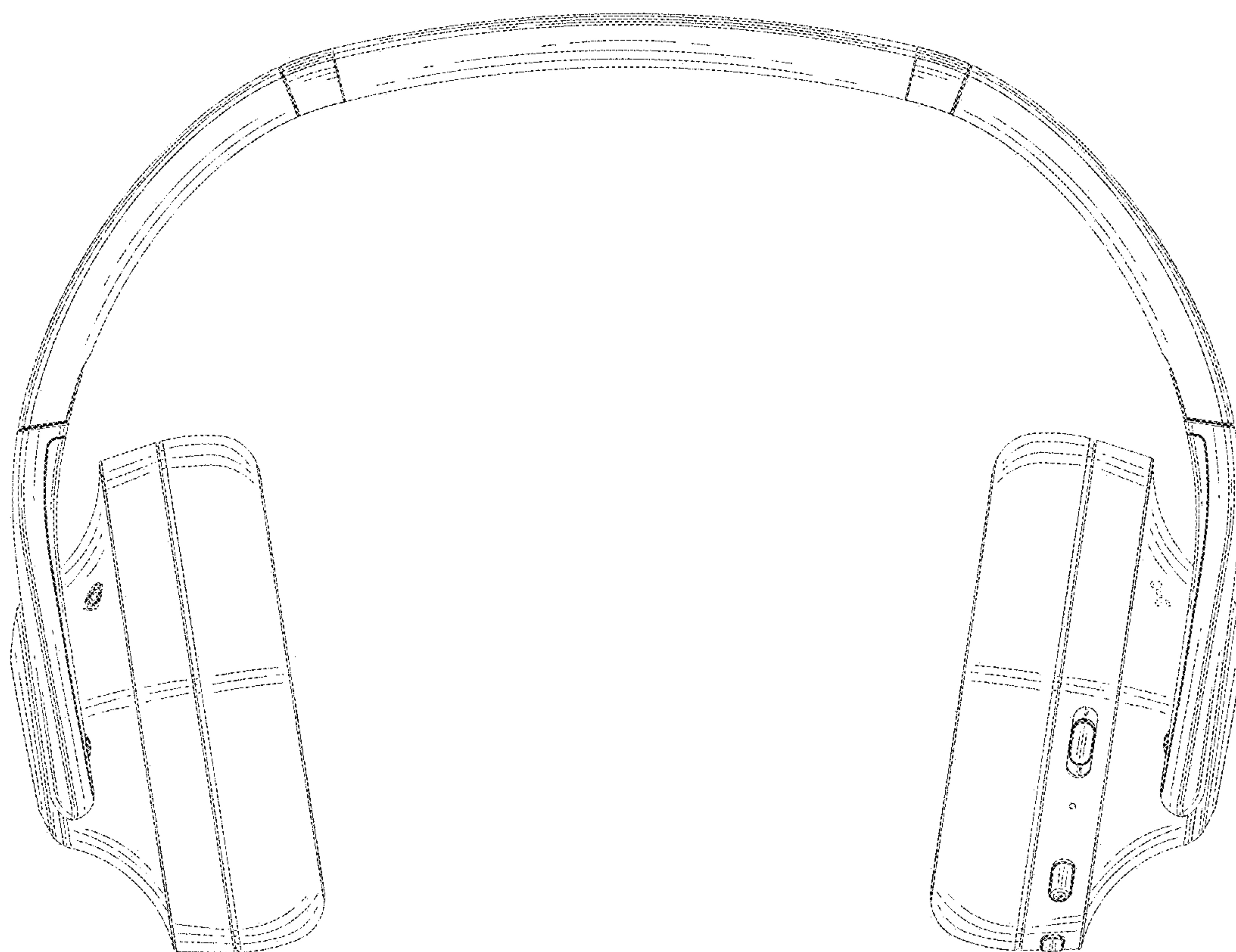


FIG. 2

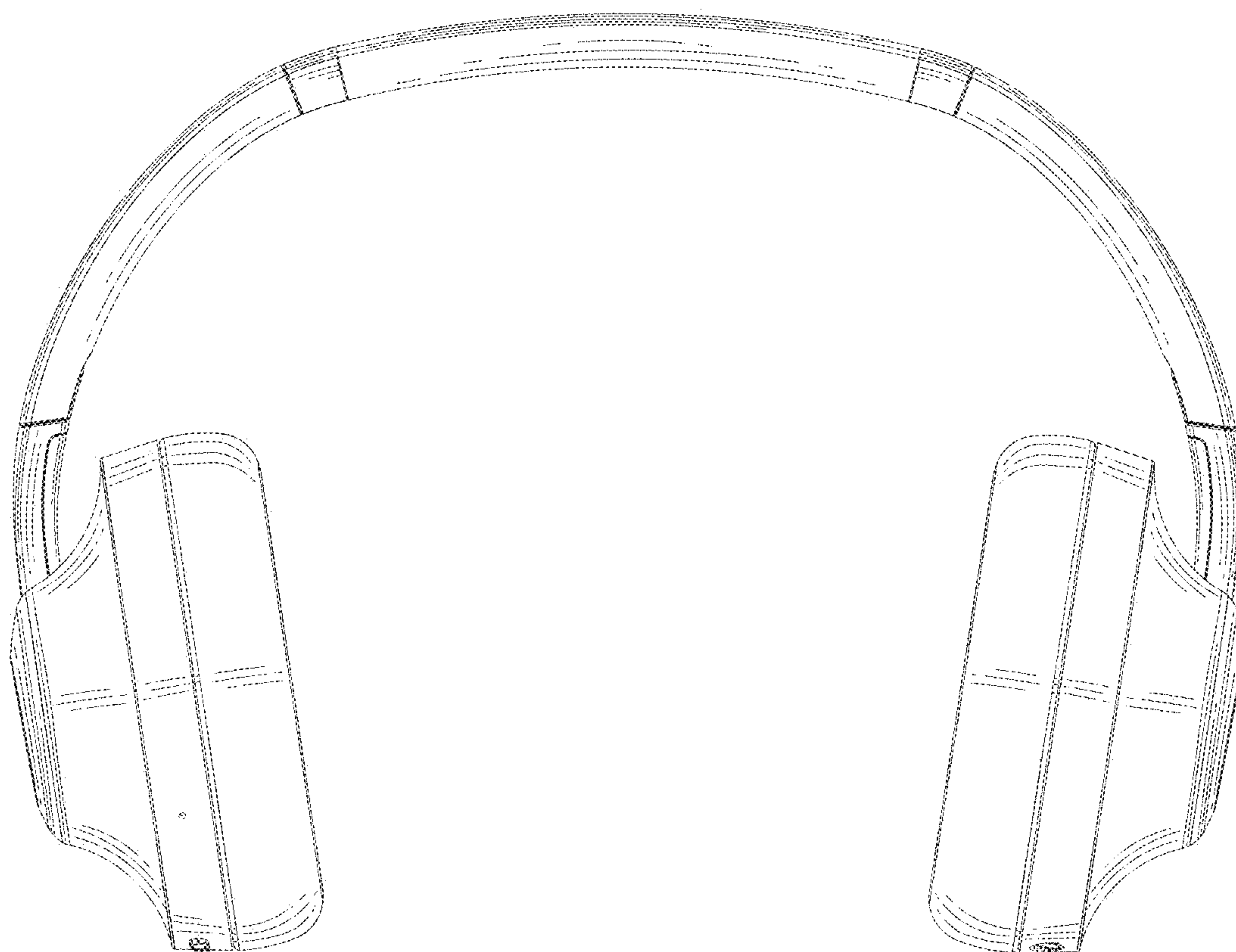


FIG. 3

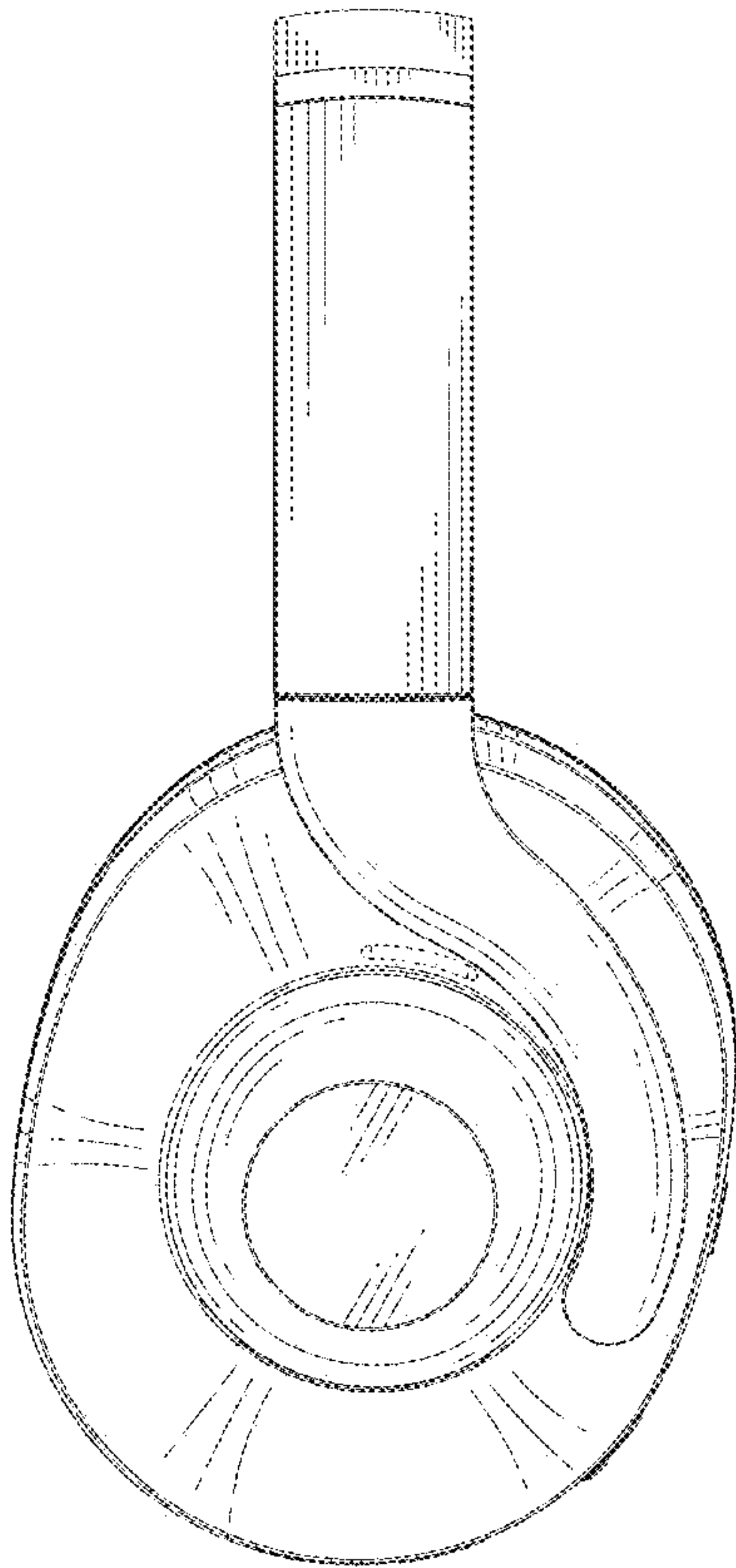


FIG. 4

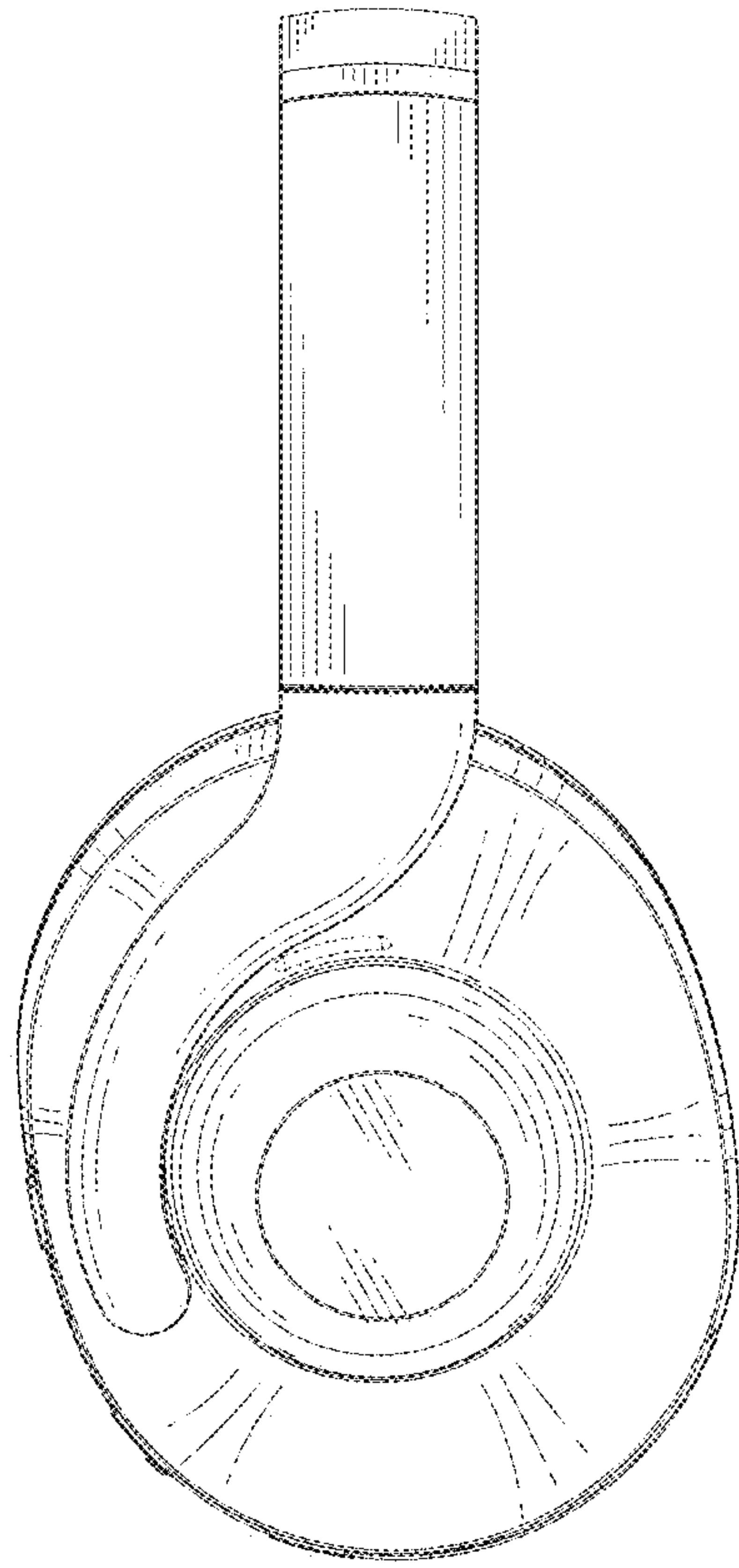


FIG. 5

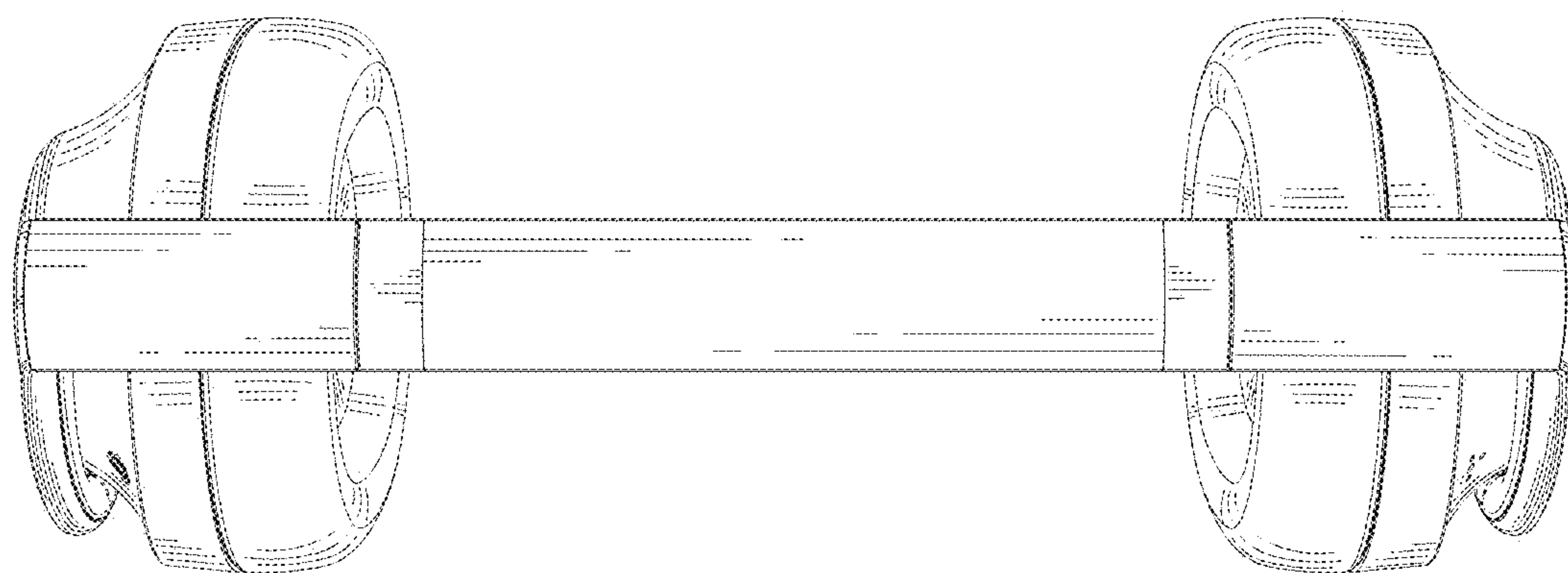


FIG. 6

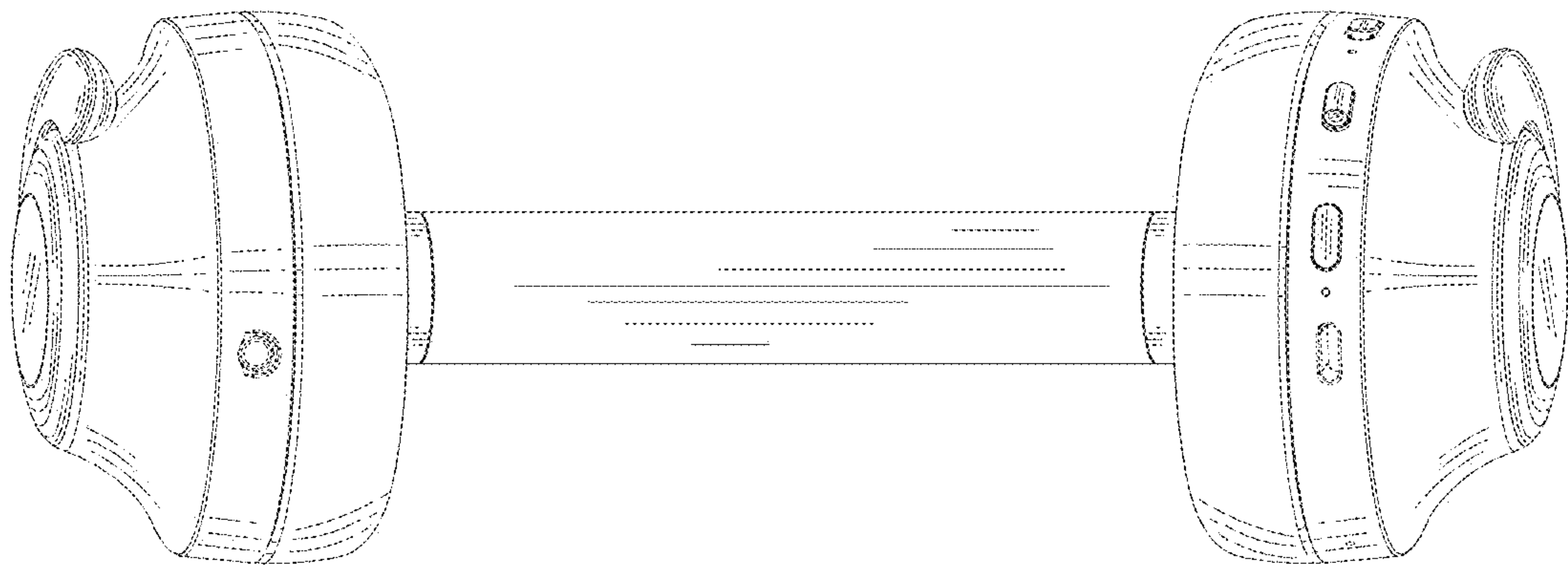


FIG. 7