



US00D936034S

(12) **United States Design Patent**
Yoshida et al.

(10) **Patent No.:** **US D936,034 S**

(45) **Date of Patent:** **** Nov. 16, 2021**

(54) **EARPHONE**

(71) Applicant: **Audio-Technica Corporation**, Tokyo (JP)

(72) Inventors: **Kohei Yoshida**, Tokyo (JP); **Toru Fusejima**, Tokyo (JP); **Koji Yano**, Tokyo (JP)

(73) Assignee: **Audio-Technica Corporation**, Tokyo (JP)

(**) Term: **15 Years**

(21) Appl. No.: **29/717,902**

(22) Filed: **Dec. 19, 2019**

(30) **Foreign Application Priority Data**

Jul. 1, 2019 (JP) 2019-014710

(51) **LOC (13) Cl.** **14-01**

(52) **U.S. Cl.**
USPC **D14/205**; D14/223

(58) **Field of Classification Search**
USPC D14/205, 223; D24/174; 128/864, 865, 128/866; 381/380, 381, 374; 455/90.3, 455/575.1, 569.1
CPC H04R 1/10; H04R 25/00; H04R 25/02; H04R 1/1066; H04R 1/1016; H04R 5/033; H04R 5/0335; H04R 1/105
See application file for complete search history.

(56) **References Cited**

U.S. PATENT DOCUMENTS

D618,211 S * 6/2010 Oguro D14/205
D641,008 S * 7/2011 Lee D14/223
D643,418 S * 8/2011 Lee D14/223
D666,581 S * 9/2012 Perez D14/223
D676,026 S * 2/2013 Lee D14/223
D684,699 S * 6/2013 Heaysman D24/174

D685,481 S * 7/2013 Heaysman D24/174
D689,843 S * 9/2013 Lee D14/205
D694,220 S * 11/2013 Lee D14/223
8,600,095 B2 * 12/2013 Yuen H04R 1/1041
381/380
8,712,087 B2 * 4/2014 Ozawa H04R 1/1016
381/380
8,737,669 B2 * 5/2014 Monahan A61F 11/08
381/380
D711,356 S * 8/2014 Yang D14/223
D728,107 S * 4/2015 Torres Martin D24/174
9,055,365 B2 * 6/2015 Kelly H04R 1/1016
D735,169 S * 7/2015 Shieh D14/223
D740,255 S * 10/2015 Samrelius D14/206
D742,861 S * 11/2015 Miyake D14/223
D744,456 S * 12/2015 Pedersen D14/223
D764,445 S * 8/2016 Czaniecki D14/223

(Continued)

FOREIGN PATENT DOCUMENTS

CN 306531619 * 5/2021

Primary Examiner — Paula Allen Greene

(74) *Attorney, Agent, or Firm* — W&C IP

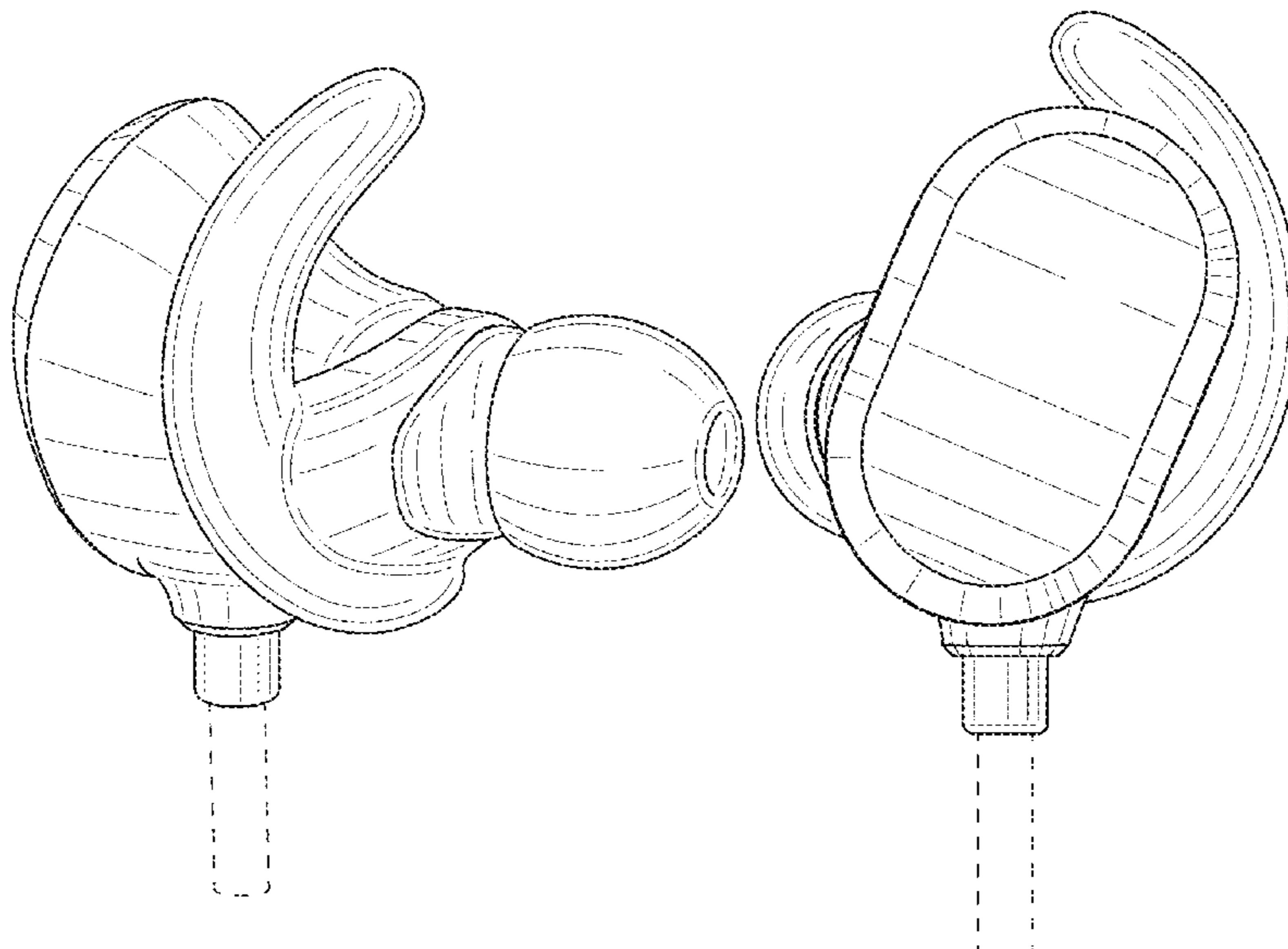
(57) **CLAIM**

The ornamental design for an earphone, as shown and described.

DESCRIPTION

FIG. 1 is a perspective view of an earphone;
FIG. 2 is a front view thereof;
FIG. 3 is a rear view thereof;
FIG. 4 is a top plan view thereof;
FIG. 5 is a bottom plan view thereof;
FIG. 6 is a left side view thereof; and,
FIG. 7 is a right side view thereof, showing our new design.
The broken lines are directed to environment and are for illustrative purposes only; the broken lines form no part of the claimed design.

1 Claim, 5 Drawing Sheets



(56)

References Cited

U.S. PATENT DOCUMENTS

D767,532 S * 9/2016 Jen D14/205
 9,532,126 B1 * 12/2016 Kelly H04R 1/105
 D777,148 S * 1/2017 Samrelius D14/223
 D777,149 S * 1/2017 Bonahoom D14/223
 D786,216 S * 5/2017 Silva D14/205
 D788,079 S * 5/2017 Son D14/223
 9,736,569 B2 * 8/2017 Kelly H04R 1/105
 D799,452 S * 10/2017 Lee D14/223
 D800,703 S * 10/2017 Vaclavik D14/223
 D801,950 S * 11/2017 Otani D14/223
 D803,816 S * 11/2017 Bolster D14/223
 D808,879 S * 1/2018 Horbinski D24/174
 D808,360 S * 1/2018 Arimoto D14/205
 D809,487 S * 2/2018 Lee D14/223
 D812,042 S * 3/2018 Xiao D14/223
 D813,205 S * 3/2018 Palmborg D14/223
 D817,309 S * 5/2018 Czaniecki D14/223
 D817,933 S * 5/2018 Liu D14/223
 9,961,434 B2 * 5/2018 Kelly H04R 1/1066
 D820,239 S * 6/2018 Yoshimura D14/223
 D822,008 S * 7/2018 Tsubone D14/223
 D822,646 S * 7/2018 Dang D14/223
 D824,359 S * 7/2018 Czaniecki D14/205
 D827,616 S * 9/2018 Lian D14/223
 D834,003 S * 11/2018 Maeda D14/223
 D838,693 S * 1/2019 Fu D14/223
 D841,626 S * 2/2019 Tang D14/223
 D843,354 S * 3/2019 Kumano D14/223
 D845,281 S * 4/2019 Lee D14/223
 D845,282 S * 4/2019 Chen D14/223
 D845,932 S * 4/2019 Lu D14/223
 D846,532 S * 4/2019 Xiao D14/223
 D847,126 S * 4/2019 Loermann D14/223
 D852,782 S * 7/2019 Bergman D14/223
 D863,263 S * 10/2019 Yu D14/223

D864,167 S * 10/2019 Wu D14/223
 D868,752 S * 12/2019 Zhu D14/223
 D869,443 S * 12/2019 Sumii D14/223
 D871,376 S * 12/2019 Zhou D14/223
 D873,248 S * 1/2020 Weicheng D14/223
 D873,805 S * 1/2020 Yang D14/223
 D874,444 S * 2/2020 Chang D14/223
 D876,398 S * 2/2020 Cai D14/223
 D877,720 S * 3/2020 Madramotoo D14/223
 D877,721 S * 3/2020 Jung D14/223
 D879,074 S * 3/2020 Komiya D14/223
 D880,457 S * 4/2020 Zhu D14/223
 D883,261 S * 5/2020 Zhang D14/223
 D883,262 S * 5/2020 Wu D14/223
 D883,958 S * 5/2020 Liu D14/223
 D885,370 S * 5/2020 Hu D14/223
 D885,372 S * 5/2020 Wang D14/223
 D887,395 S * 6/2020 Wang D14/223
 D901,456 S * 11/2020 Huang D14/223
 D902,182 S * 11/2020 Wang D14/223
 D905,664 S * 12/2020 He D14/223
 D906,293 S * 12/2020 Williamson D14/223
 D907,608 S * 1/2021 Xie D14/223
 D908,115 S * 1/2021 Mei D14/223
 D912,016 S * 3/2021 Ando D14/223
 D918,180 S * 5/2021 Bailey D14/223
 D918,181 S * 5/2021 Bailey D14/223
 D920,288 S * 5/2021 Vautour D14/223
 D921,614 S * 6/2021 Yoshimura D14/223
 D922,357 S * 6/2021 Yang D14/223
 2017/0026738 A1 * 1/2017 Tang H04R 1/1091
 2018/0027318 A1 * 1/2018 Witt H04R 1/1016
 381/182
 2018/0295437 A1 * 10/2018 Chen H04R 1/105
 2020/0107105 A1 * 4/2020 Feng H04R 1/1041
 2020/0314527 A1 * 10/2020 Guo H04R 1/1041
 2021/0076131 A1 * 3/2021 Minich H04R 5/033

* cited by examiner

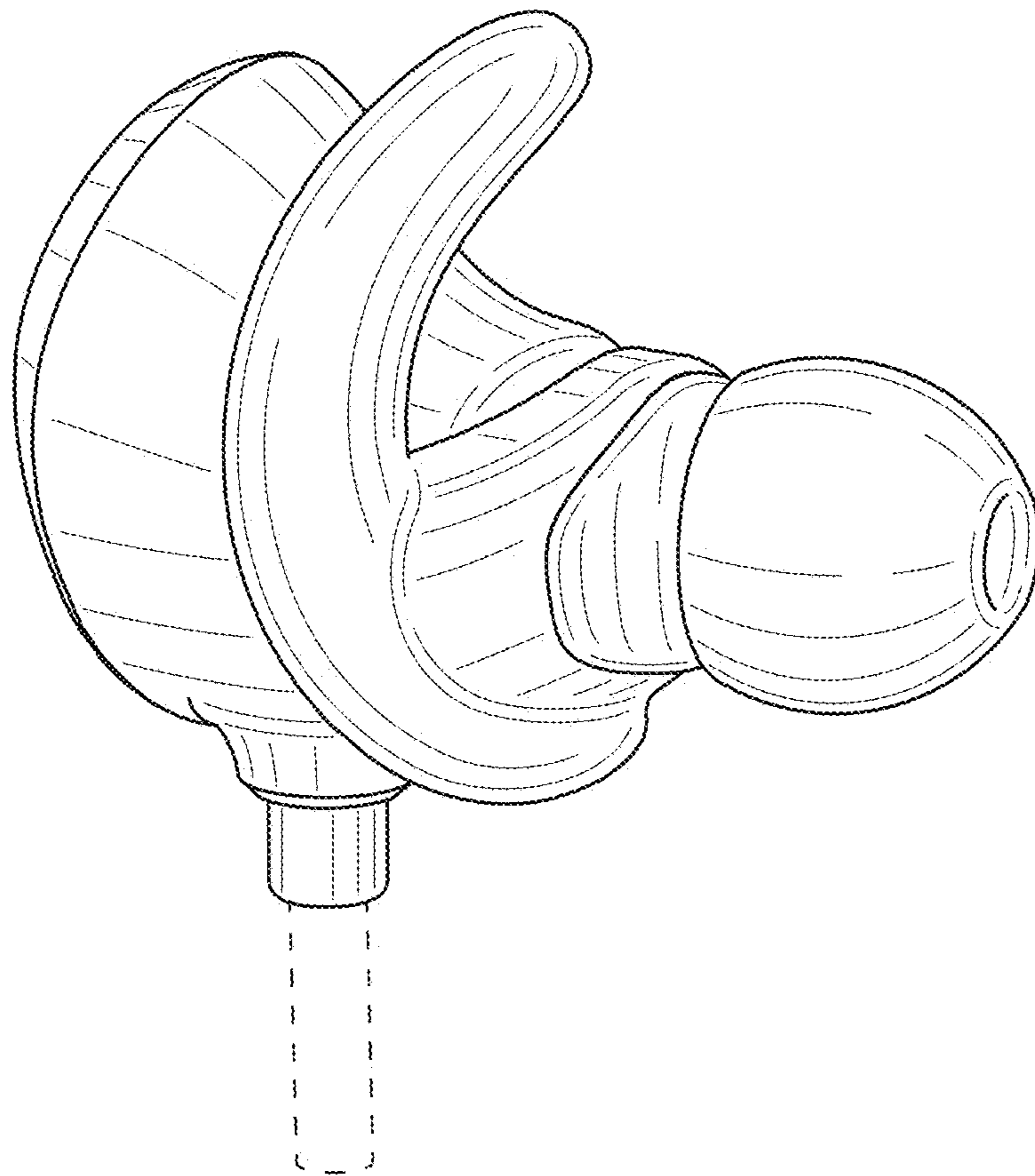


FIG. 1

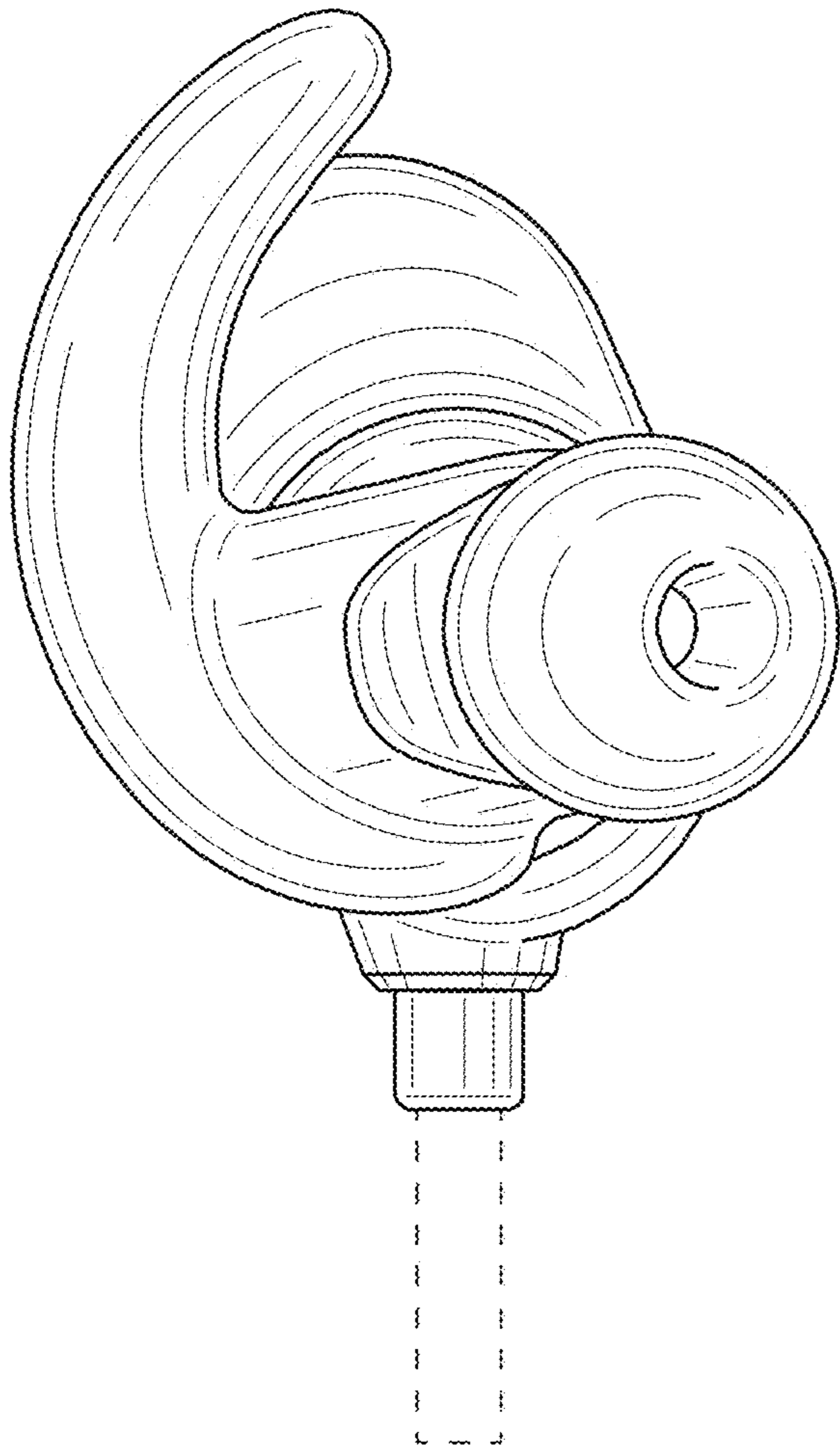


FIG. 2

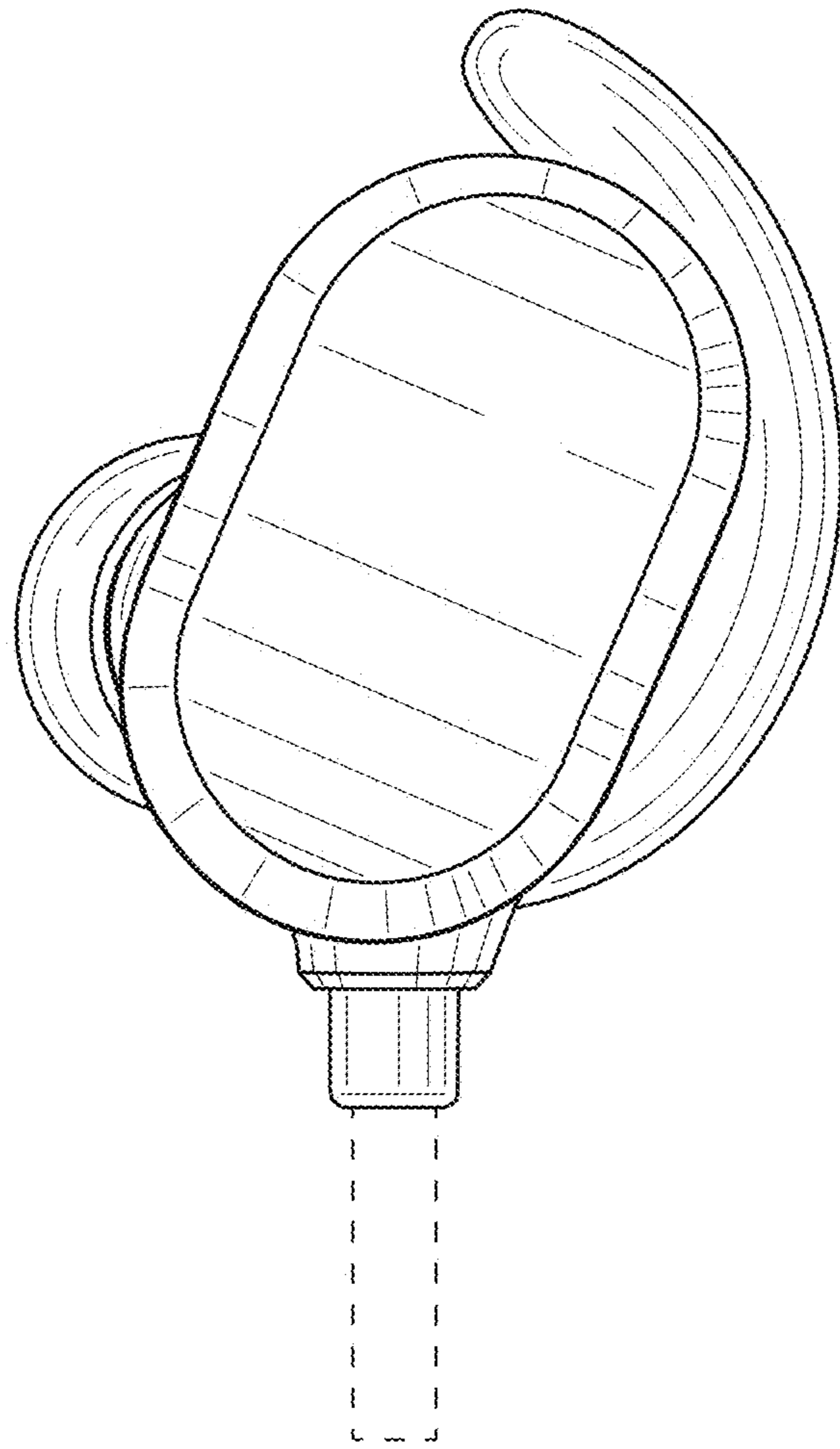


FIG. 3

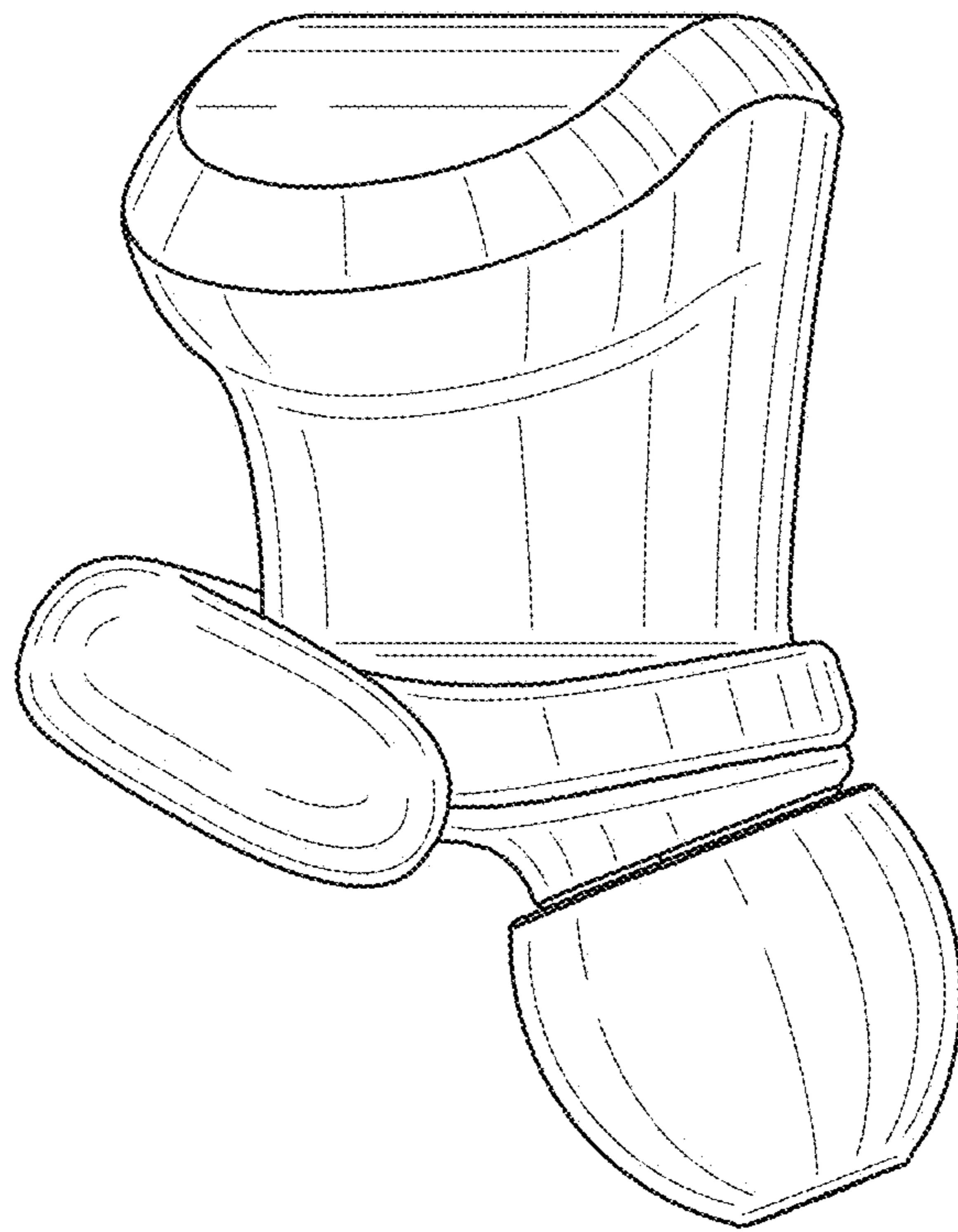


FIG. 4

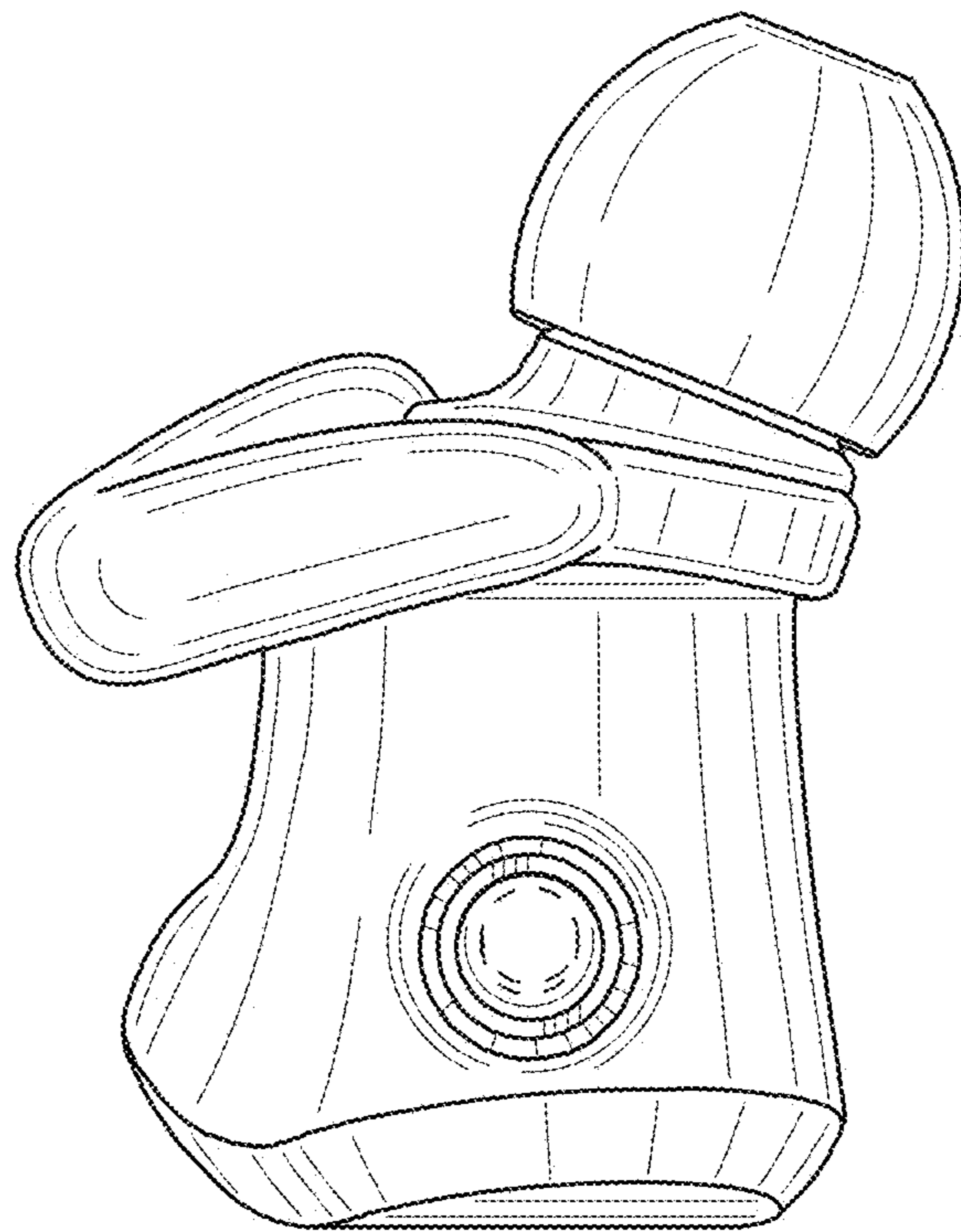


FIG. 5

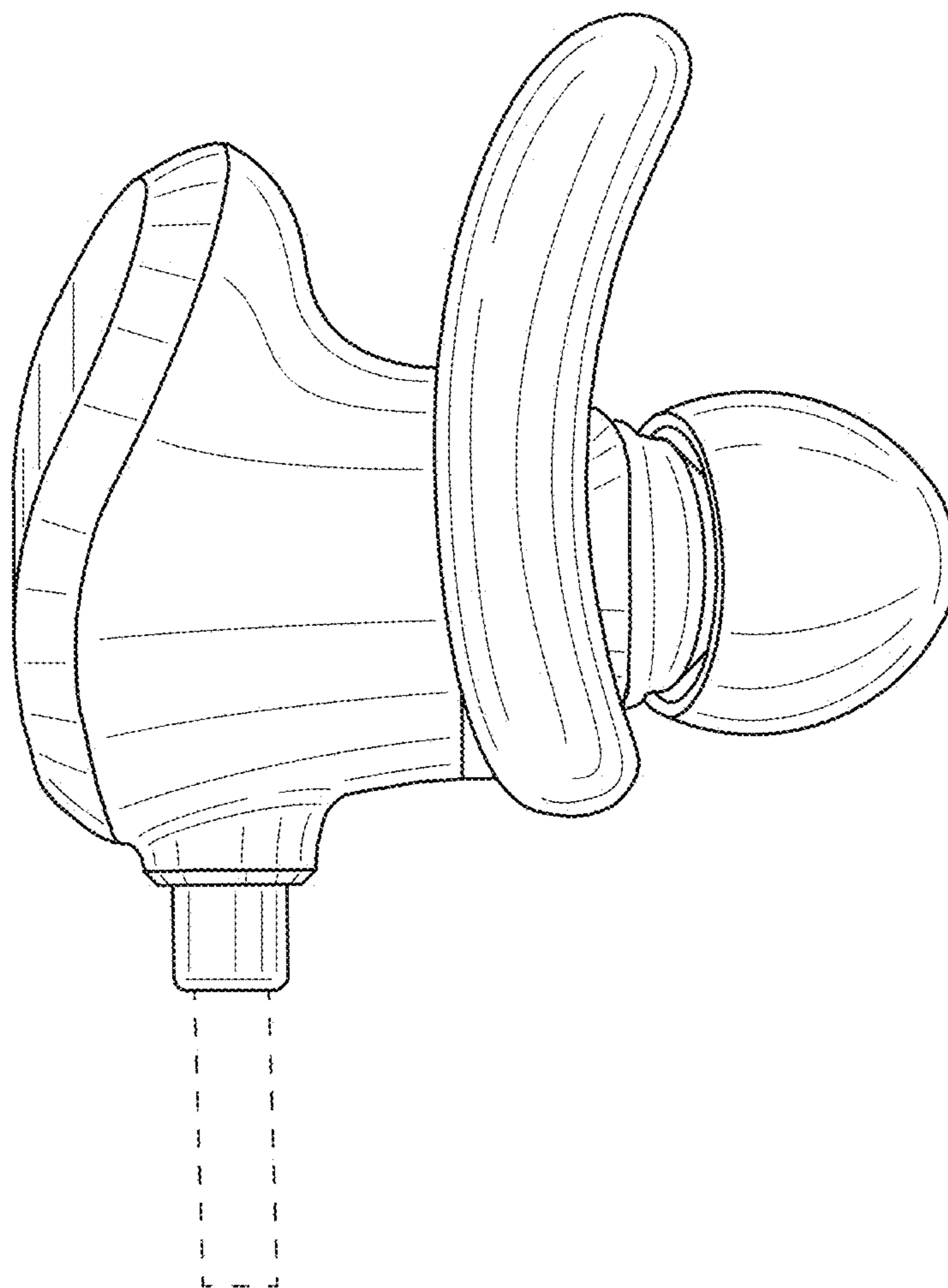


FIG. 6

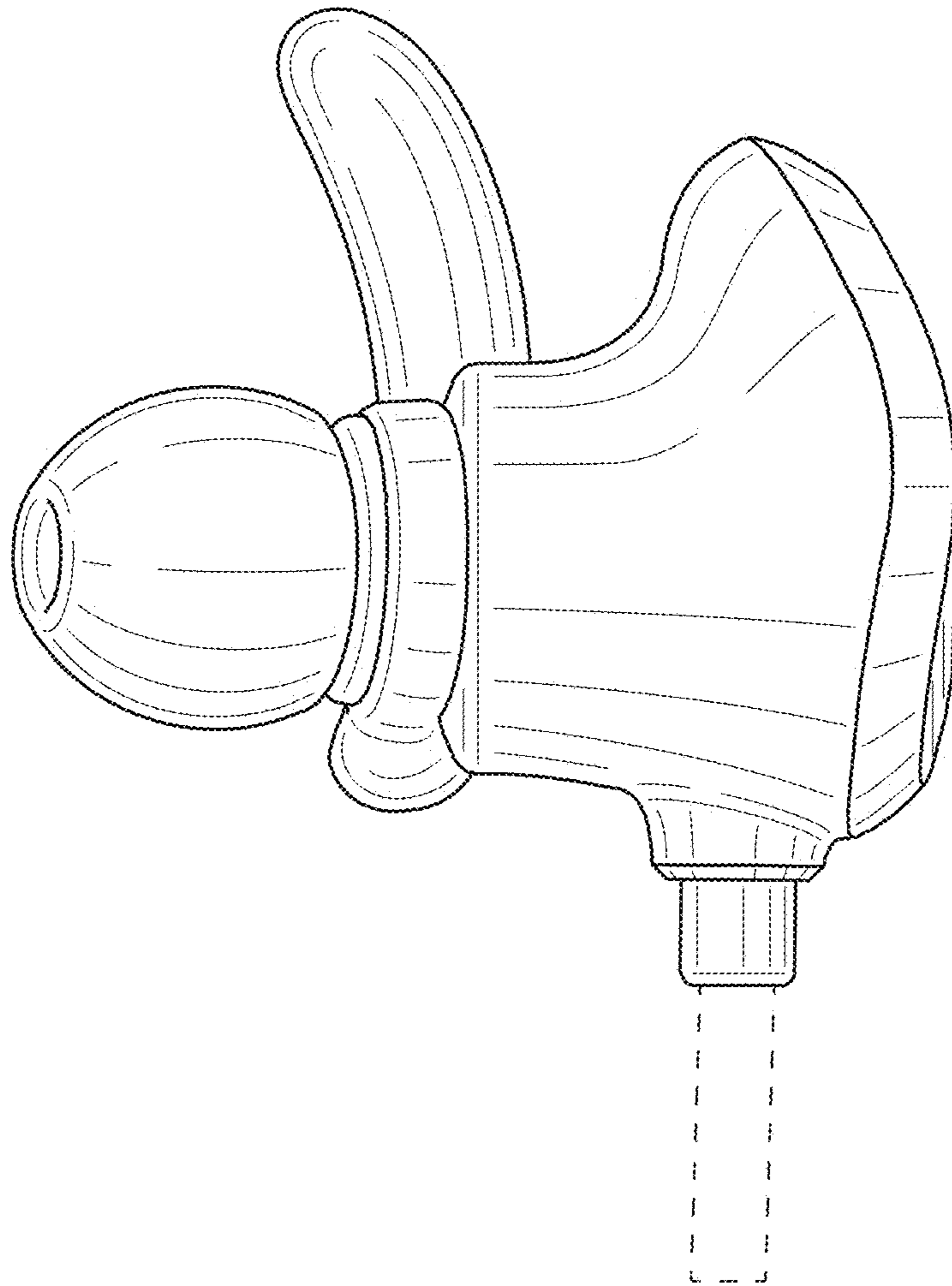


FIG. 7