



US00D936033S

(12) **United States Design Patent**
Lu et al.

(10) **Patent No.:** **US D936,033 S**
(45) **Date of Patent:** **** Nov. 16, 2021**

- (54) **OVER-EAR HEADPHONE**
- (71) Applicants: **DEXIN ELECTRONIC LTD.**,
Guangdong (CN); **DEXIN CORPORATION**, New Taipei (TW)
- (72) Inventors: **Ho-Lung Lu**, New Taipei (TW);
Kuan-Ling Chen, New Taipei (TW)
- (73) Assignees: **DEXIN ELECTRONIC LTD.**,
Guangdong (CN); **DEXIN CORPORATION**, New Taipei (TW)

- 4,027,113 A * 5/1977 Matsumoto F16C 11/0661
381/378
- 4,588,868 A * 5/1986 Bertagna H04R 1/1008
181/129
- 4,747,145 A * 5/1988 Wiegel H04M 1/05
381/378
- 5,056,161 A * 10/1991 Breen H04R 1/1066
2/209
- 5,293,647 A * 3/1994 Mirmilshteyn H04R 1/10
2/209
- 5,809,574 A * 9/1998 Falco A61F 11/12
2/209

(Continued)

(**) Term: **15 Years**

FOREIGN PATENT DOCUMENTS

(21) Appl. No.: **29/713,139**

- EG 201322D-0001 * 3/2013
- EM 002615153-0001 * 1/2015

(22) Filed: **Nov. 14, 2019**

(Continued)

(30) **Foreign Application Priority Data**

Primary Examiner — Paula Allen Greene

Oct. 1, 2019 (TW) 108306058

(74) *Attorney, Agent, or Firm* — Li & Cai Intellectual Property Office

(51) **LOC (13) Cl.** **14-01**

(57) **CLAIM**

(52) **U.S. Cl.**
USPC **D14/205**

The ornamental design for an over-ear headphone, as shown and described.

(58) **Field of Classification Search**
USPC D14/205, 206, 188, 192; D29/112;
2/209; 24/3.1; 381/380, 381, 370, 374,
381/74; 455/90.3, 575.1, 569.1
CPC H04R 25/00; H04R 25/02; H04R 1/1016;
H04R 1/1066; H04R 5/033; H04R
5/0335; H04R 1/105; H04R 1/1058;
A43C 11/406
See application file for complete search history.

DESCRIPTION

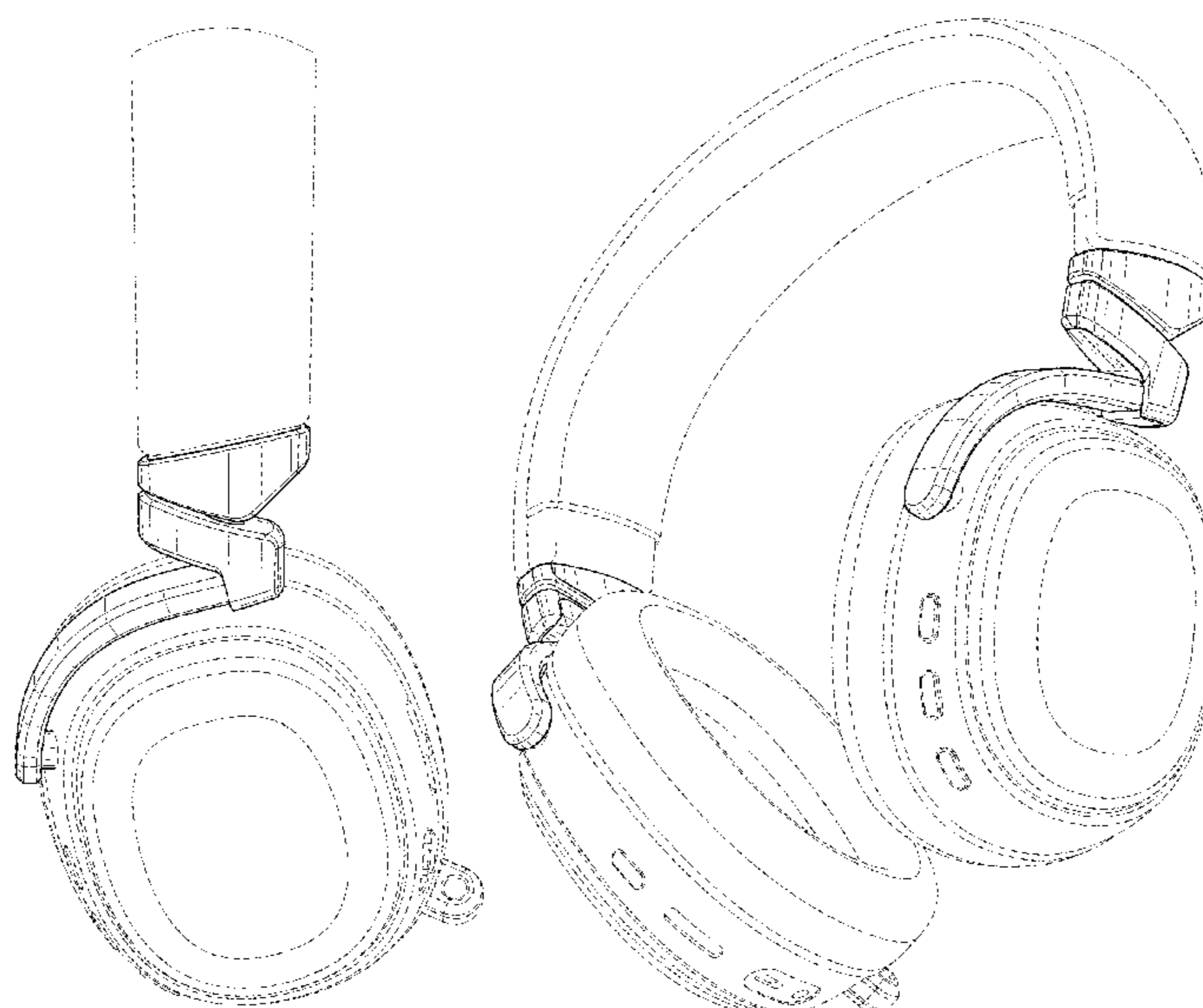
FIG. 1 is a front, right and top perspective view of an over-ear headphone showing our new design; FIG. 2 is a front elevational view thereof; FIG. 3 is a rear elevational view thereof; FIG. 4 is a left side elevational view thereof; FIG. 5 is a right side elevational view thereof; FIG. 6 is a top plan view thereof; FIG. 7 is a bottom plan view thereof; and, FIG. 8 is a rear, left and bottom perspective view thereof. The broken lines depict portions of the over-ear headphone in which the design is embodied that forms no part of the claimed design.

(56) **References Cited**

U.S. PATENT DOCUMENTS

- 1,087,704 A * 2/1914 Randall H04R 5/0335
381/378
- 2,486,267 A * 10/1949 Dulinsky H04R 5/0335
381/377

1 Claim, 7 Drawing Sheets



(56)

References Cited

U.S. PATENT DOCUMENTS

6,259,366 B1 * 7/2001 Lindskog E05G 1/14
340/568.7
6,427,018 B1 * 7/2002 Keliiliki H04R 1/1066
381/381
6,629,579 B1 * 10/2003 Hasegawa H04R 1/1066
181/129
7,172,052 B2 * 2/2007 Lenhard-Backhaus
H04R 1/1066
181/129
8,559,665 B2 * 10/2013 Schmidt H04R 1/1066
381/374
8,774,442 B2 * 7/2014 Huang H04R 1/1066
381/374
D719,136 S * 12/2014 Schaal D14/206
D721,052 S * 1/2015 Carr D14/205
D727,289 S * 4/2015 Czaniecki D14/205
D734,297 S * 7/2015 Sasaki D14/205
D739,842 S * 9/2015 Birger D14/205
D746,790 S * 1/2016 Strasberg D14/205
D750,041 S * 2/2016 Birger D14/205
D758,337 S * 6/2016 Szymanski D14/205
D759,626 S * 6/2016 Wagner D14/205
D763,223 S * 8/2016 Czaniecki D14/205
D765,055 S * 8/2016 Hsieh D14/205
D777,701 S * 1/2017 Czaniecki D14/205
D780,715 S * 3/2017 Nakagawa D14/205
D784,289 S * 4/2017 Lu D14/205
D784,298 S * 4/2017 Ozawa D14/223
D787,470 S * 5/2017 Kelly D14/205
D795,218 S * 8/2017 Ohmachi D14/205
D800,691 S * 10/2017 Ando D14/205
D811,365 S * 2/2018 Czaniecki D14/205

D813,837 S * 3/2018 Paterson D14/205
D814,439 S * 4/2018 Birath D14/205
D821,354 S * 6/2018 Ohmachi D14/205
D826,209 S * 8/2018 Homewood D14/205
D837,764 S * 1/2019 Xiao D14/205
D843,967 S * 3/2019 Paterson D14/205
D854,513 S * 7/2019 Miyake D14/205
D855,579 S * 8/2019 Clark D14/205
D857,652 S * 8/2019 Wang D14/205
D861,636 S * 10/2019 Carr D14/205
D868,731 S * 12/2019 Jung D14/205
D868,733 S * 12/2019 Luo D14/205
D869,432 S * 12/2019 Jung D14/205
D872,049 S * 1/2020 Saule D14/205
D877,714 S * 3/2020 Dhondt D14/205
D878,327 S * 3/2020 Dhondt D14/205
D881,840 S * 4/2020 Chen D14/205
D897,309 S * 9/2020 Cho D14/205
D920,283 S * 5/2021 Levine D14/205
D922,350 S * 6/2021 Pedersen D14/206
2004/0213428 A1 * 10/2004 Lenhard-Backhaus
H04R 1/1066
381/370
2005/0053255 A1 * 3/2005 Harris H04R 5/0335
381/379
2014/0153766 A1 * 6/2014 Huang H04R 1/1066
381/378
2018/0270556 A1 * 9/2018 Kelley H04R 1/1008

FOREIGN PATENT DOCUMENTS

JP D1411974 * 3/2011
JP D1503285 * 6/2014
SG 201318G-0001 * 3/2012

* cited by examiner

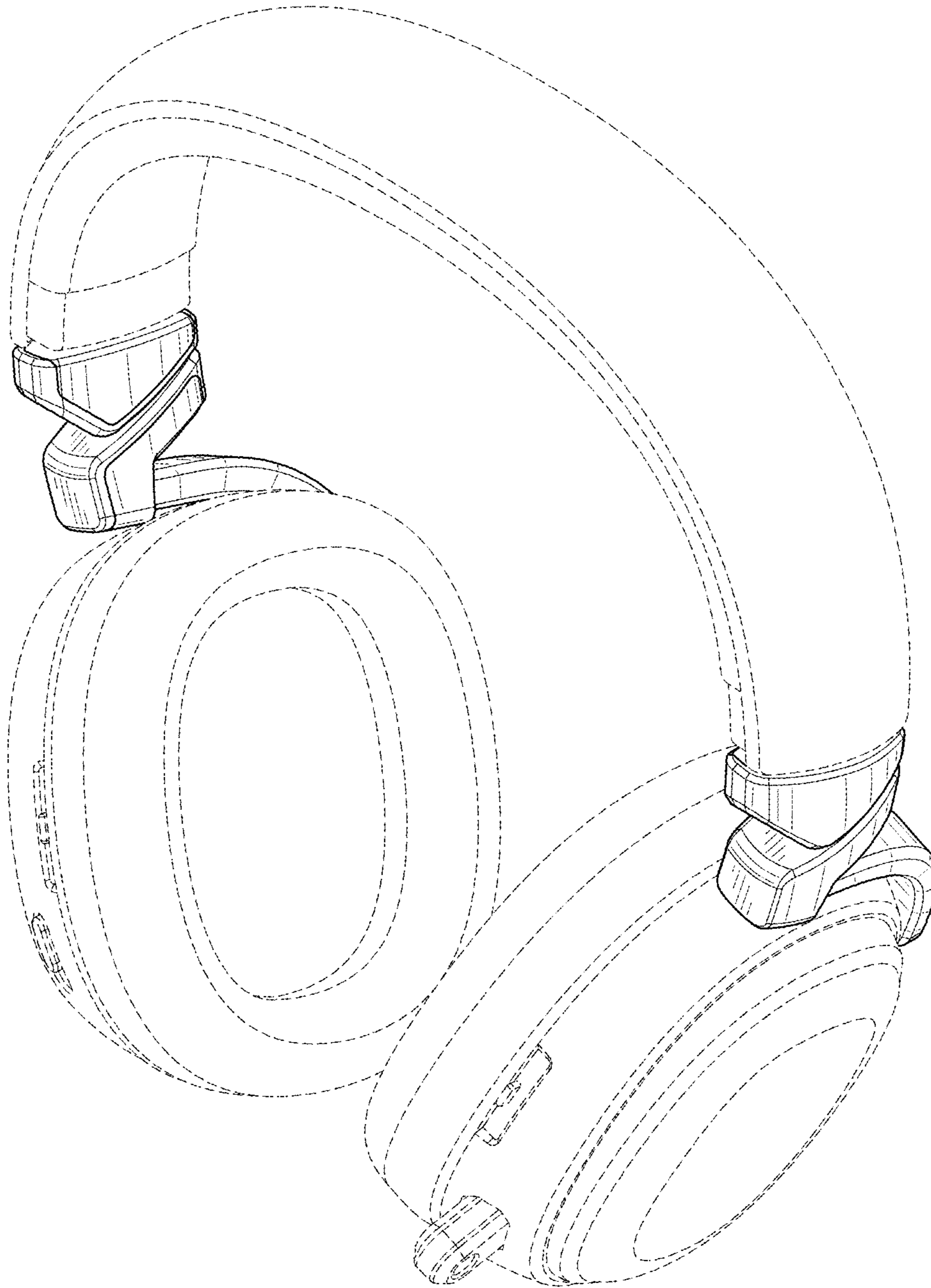


FIG. 1



FIG. 2

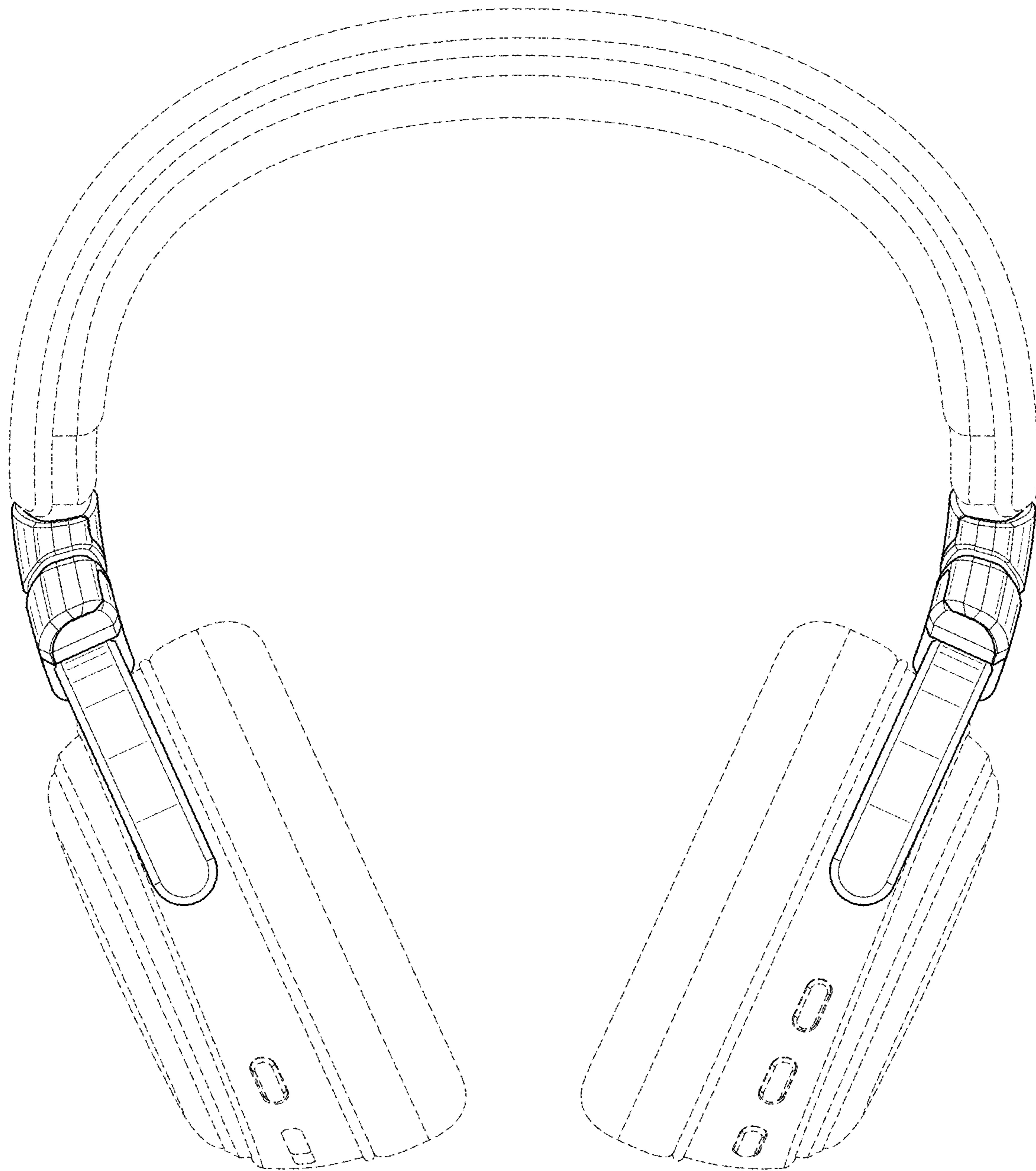


FIG. 3

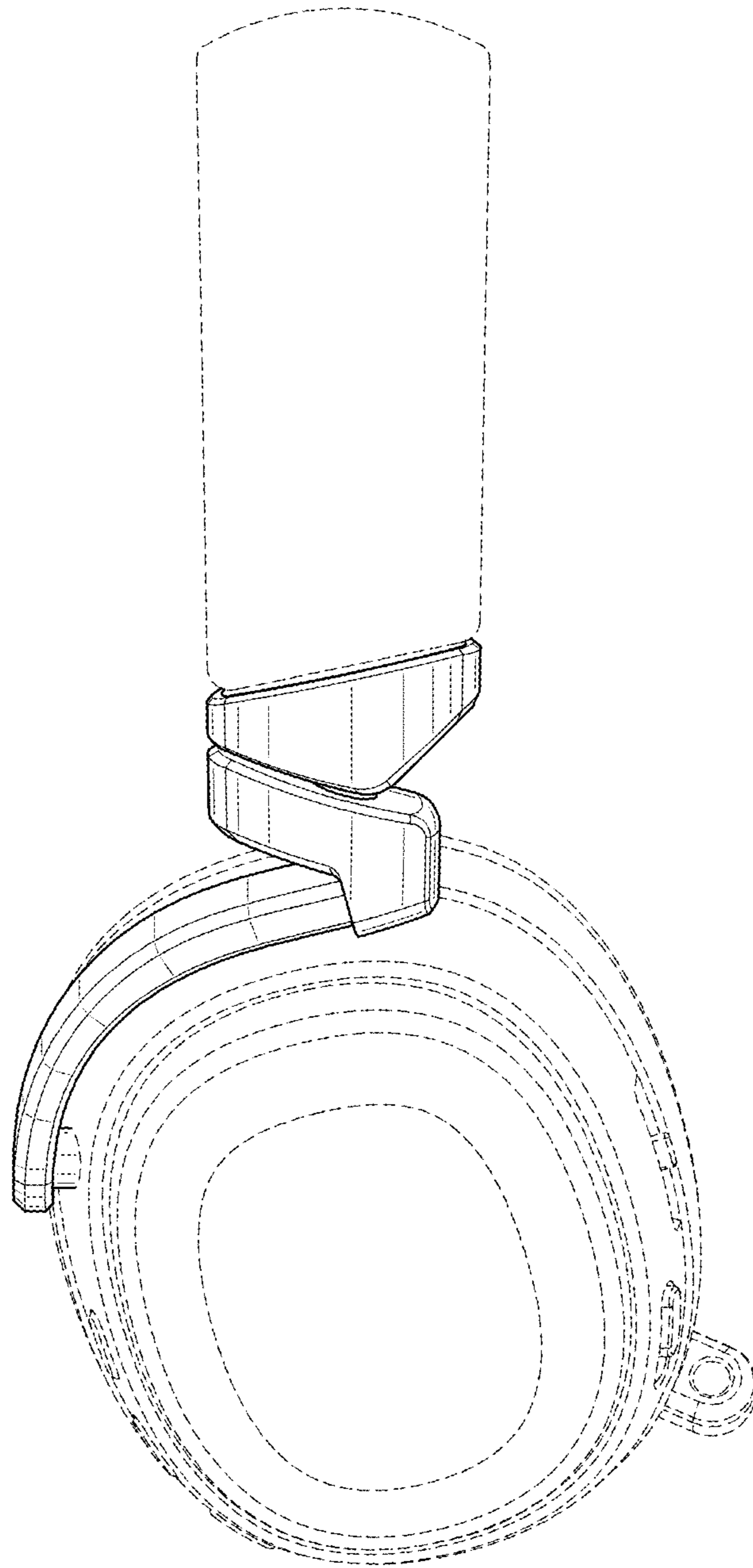


FIG. 4

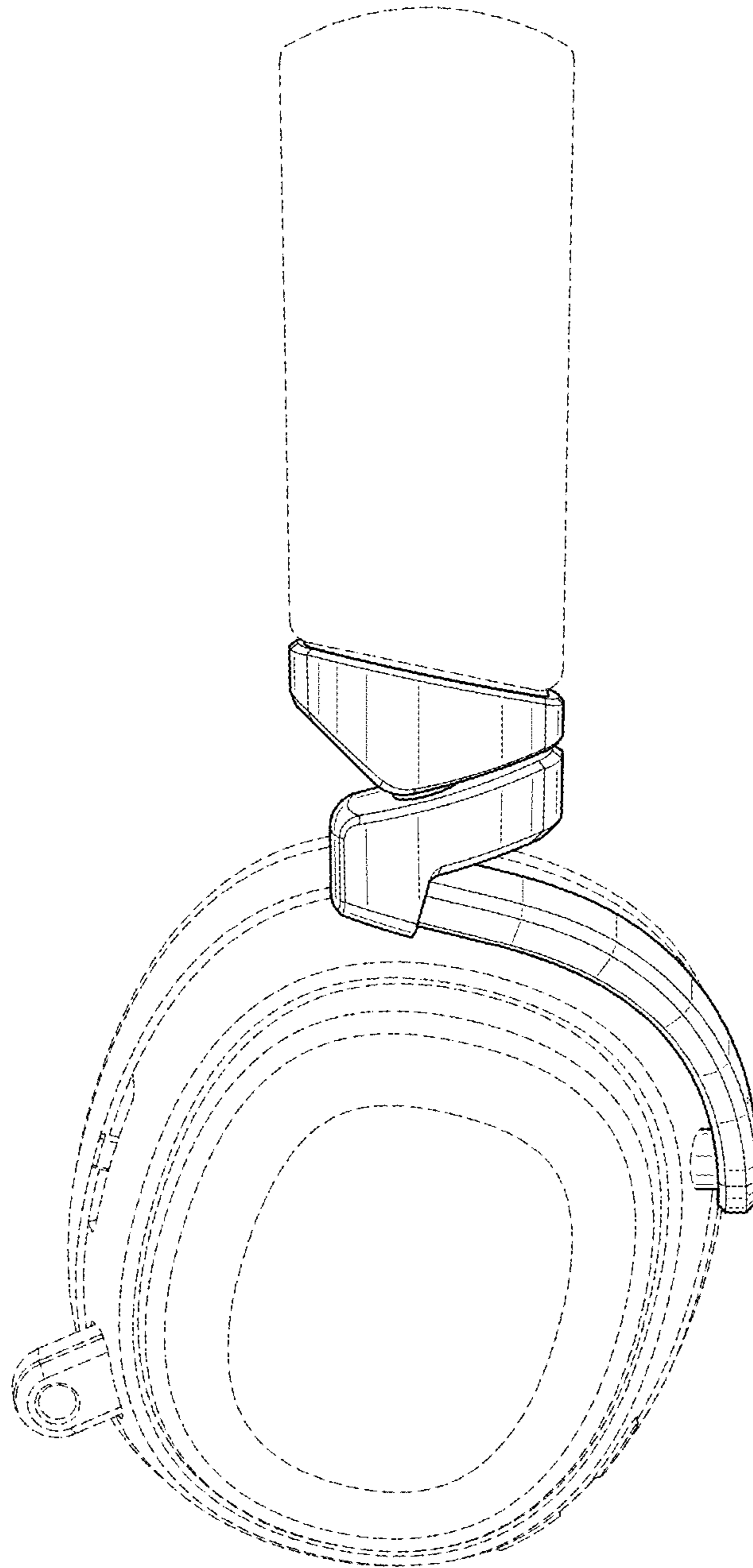


FIG. 5

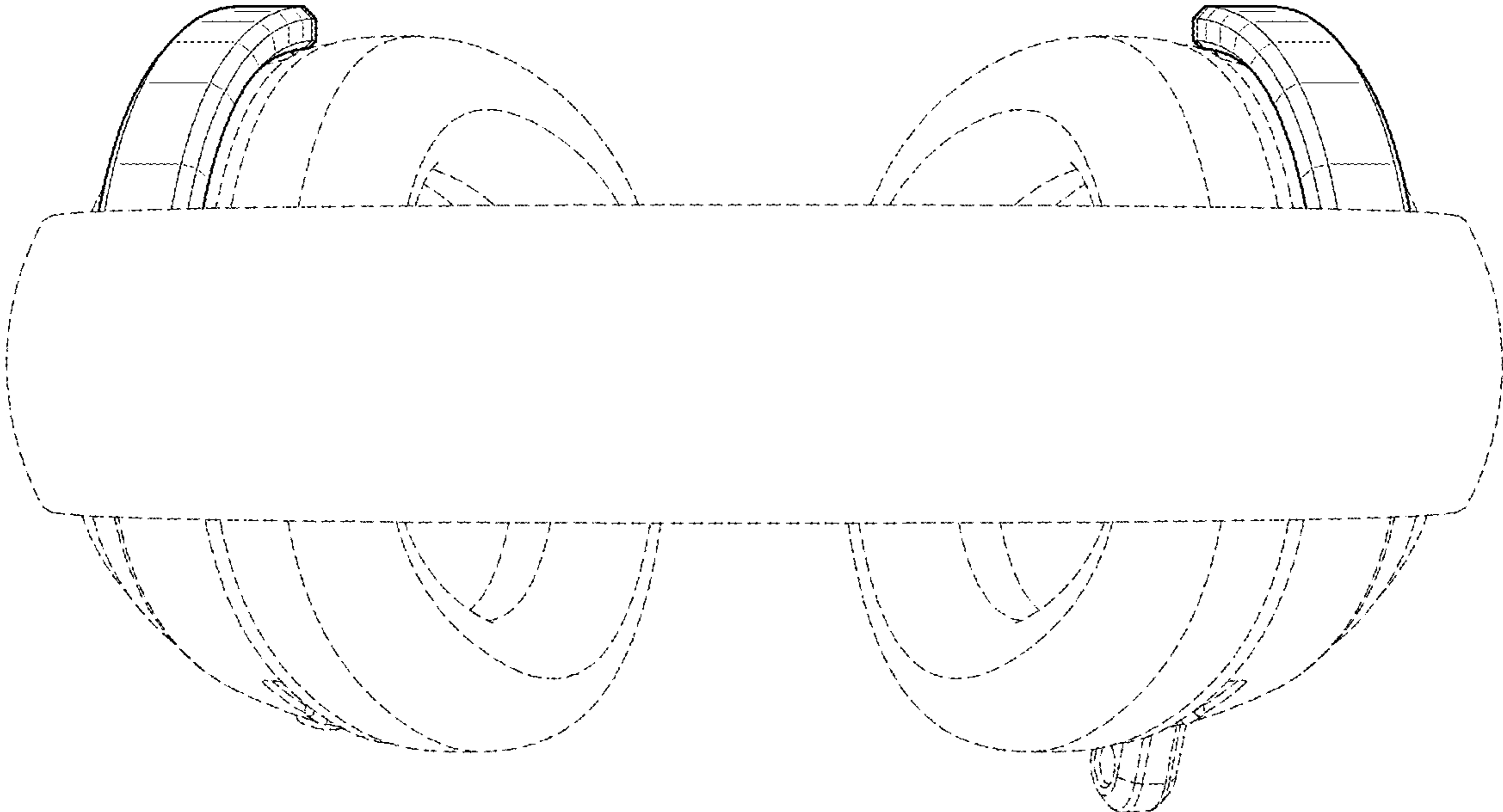


FIG. 6

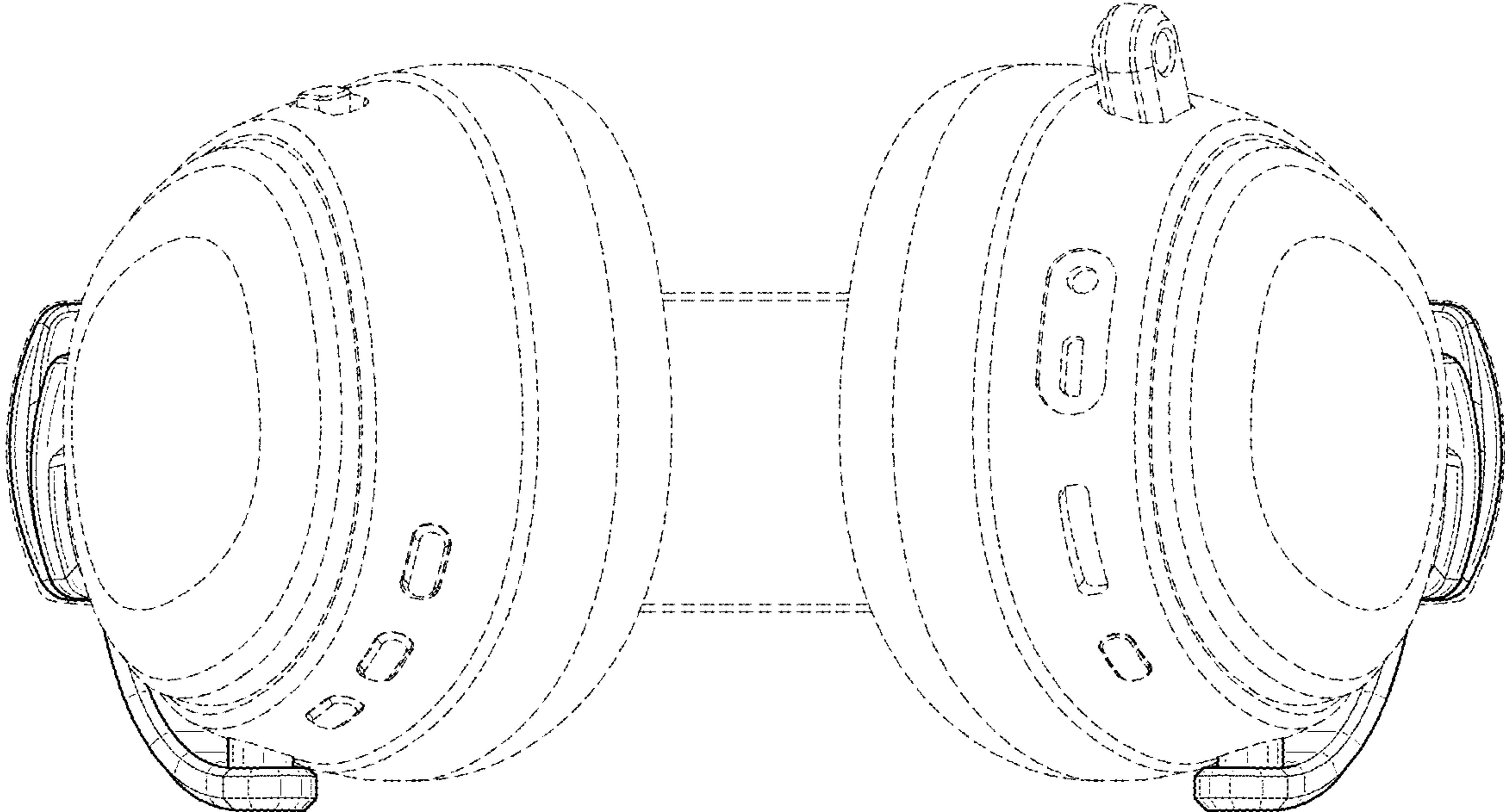


FIG. 7

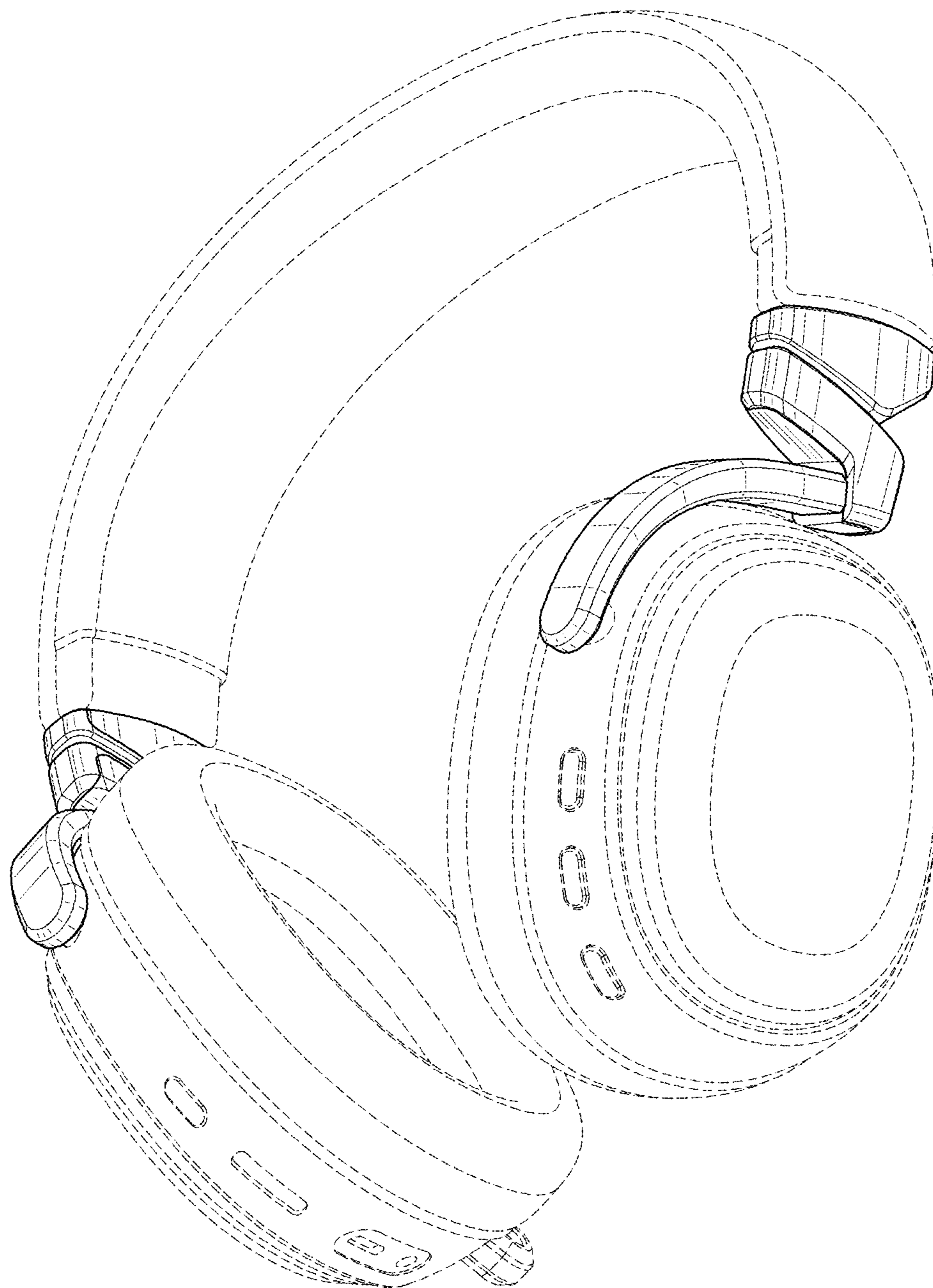


FIG. 8