



US00D936031S

(12) **United States Design Patent**
Li et al.

(10) **Patent No.:** **US D936,031 S**

(45) **Date of Patent:** **** Nov. 16, 2021**

(54) **DIGITAL VIDEO RECORDER**

(71) Applicant: **Shenzhen Kean Digital Co., Ltd.**,
Shenzhen (CN)

(72) Inventors: **Jun Li**, Shenzhen (CN); **Junjie Yao**,
Shenzhen (CN)

(**) Term: **15 Years**

(21) Appl. No.: **29/768,845**

(22) Filed: **Feb. 1, 2021**

(51) **LOC (13) Cl.** **14-01**

(52) **U.S. Cl.**
USPC **D14/203.1; D14/505**

(58) **Field of Classification Search**
USPC D14/135, 157, 167, 168, 188, 197, 198,
D14/203.1, 496, 498-506
CPC G11B 23/00; G11B 19/16; G11B 19/2009;
G11B 17/04; G11B 17/056; G11B 17/16;
G11B 15/00; G11B 15/02; B60R 11/02
See application file for complete search history.

(56) **References Cited**

U.S. PATENT DOCUMENTS

D214,057 S *	5/1969	Ross, Jr.	D14/197
D301,579 S *	6/1989	van de Ven	D14/157
5,172,360 A *	12/1992	Decoster	G11B 17/056 720/601
D339,585 S *	9/1993	Ito	D14/164
D435,025 S *	12/2000	Sumita	D14/135
D462,671 S *	9/2002	Hasegawa	D14/505
D463,385 S *	9/2002	Takama	D14/505
D485,541 S *	1/2004	Asai	D14/505
D491,154 S *	6/2004	Asai	D14/506
D497,148 S *	10/2004	Kamata	D14/505

D508,478 S *	8/2005	Nakajima	D14/188
D510,925 S *	10/2005	Ueno	D14/506
D519,962 S *	5/2006	Kim	D14/506
D524,269 S *	7/2006	Kang	D14/502
D530,691 S *	10/2006	Moriya	D14/506
D531,152 S *	10/2006	Moriya	D14/506
D551,198 S	9/2007	Kim		
D553,109 S	10/2007	Kim et al.		
D612,401 S *	3/2010	Yamamoto	D14/505
D671,907 S *	12/2012	Behringer	D14/188
D699,211 S *	2/2014	Koiwa	D14/188
D704,224 S *	5/2014	Kaku	D14/505
D768,108 S *	10/2016	Ravat	D14/203.1
D809,566 S *	2/2018	Gardner	D14/203.3

* cited by examiner

Primary Examiner — Wendy L Arminio

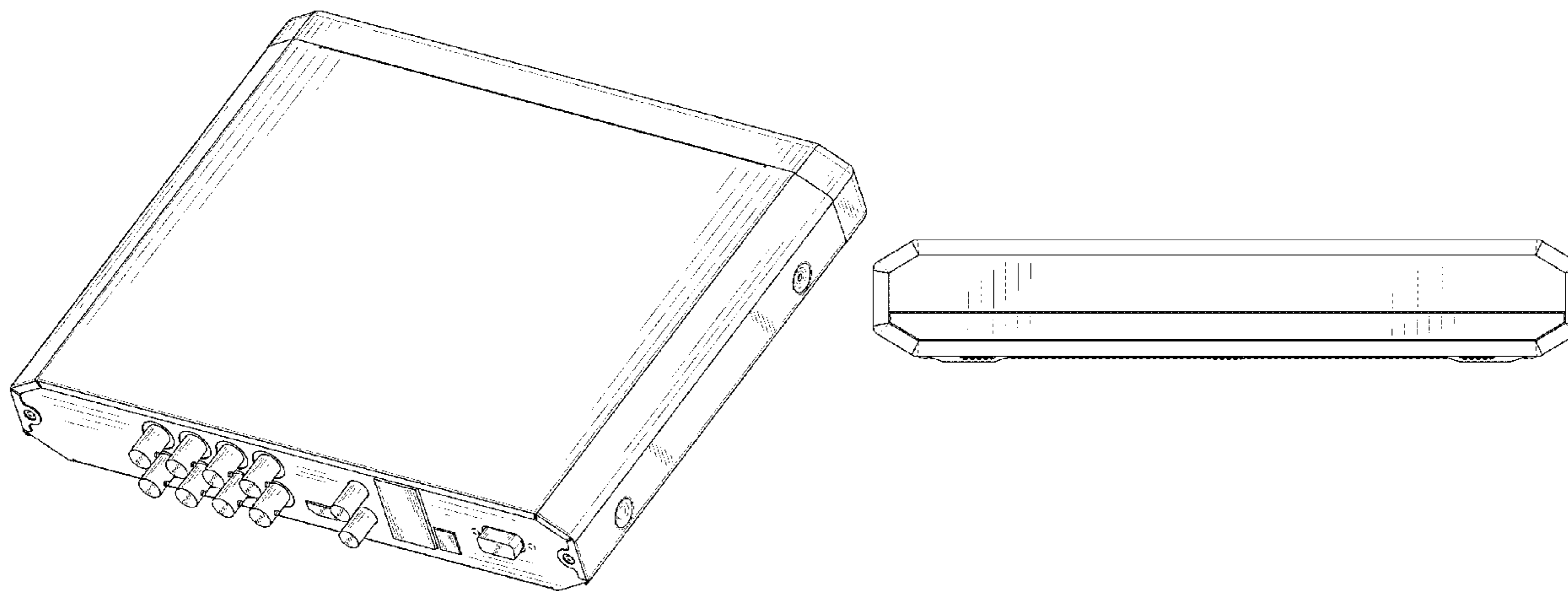
(57) **CLAIM**

The ornamental design for a digital video recorder, as shown and described.

DESCRIPTION

FIG. 1 is a perspective view of a digital video recorder showing my new design;
FIG. 2 is another perspective view thereof;
FIG. 3 is a front view thereof;
FIG. 4 is a rear view thereof;
FIG. 5 is a left side view thereof;
FIG. 6 is a right side view thereof;
FIG. 7 is a top plan view thereof; and,
FIG. 8 is a bottom plan view thereof.
The broken lines in the figures illustrate portions of the digital video recorder that form no part of the claimed design.

1 Claim, 8 Drawing Sheets



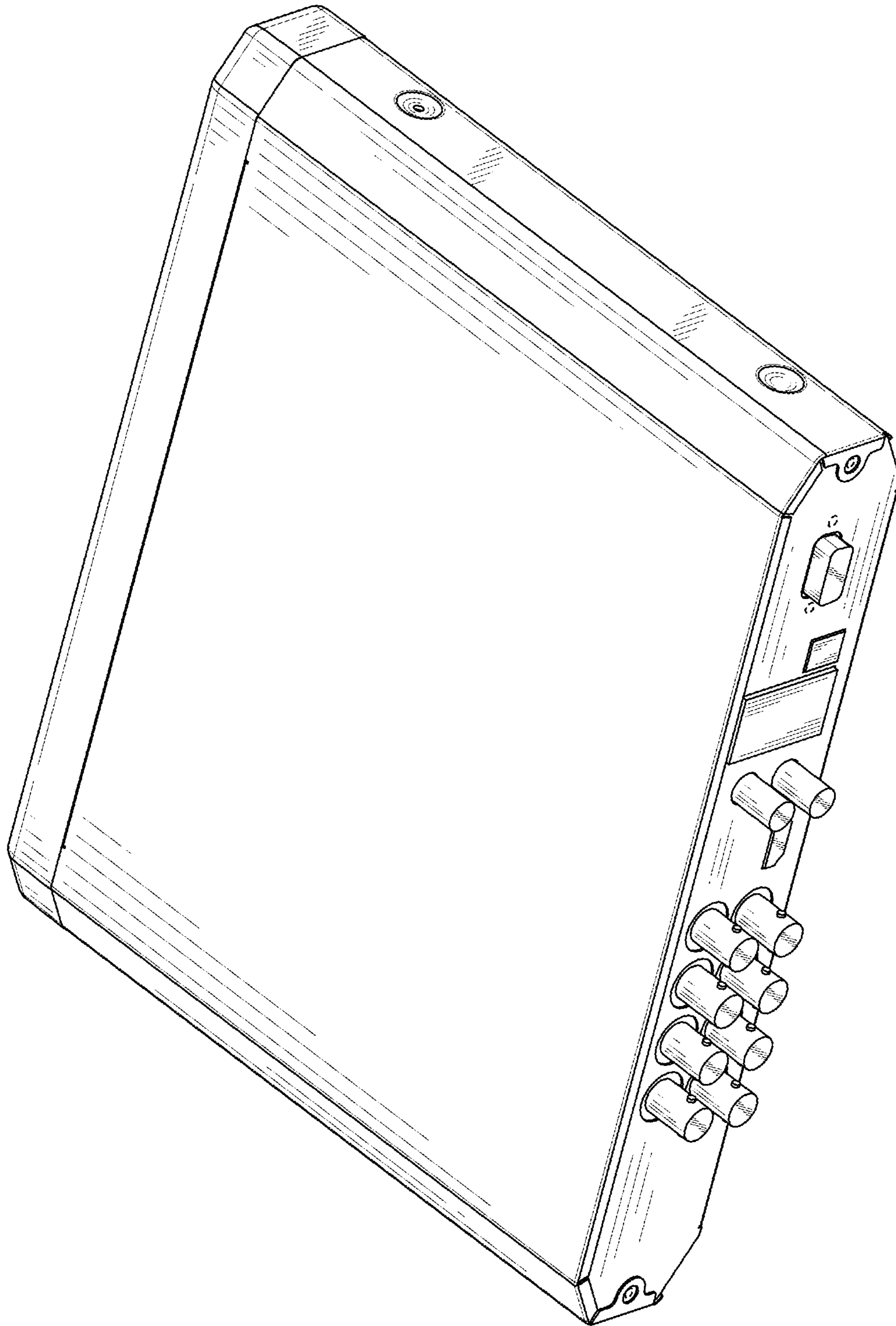


FIG. 1

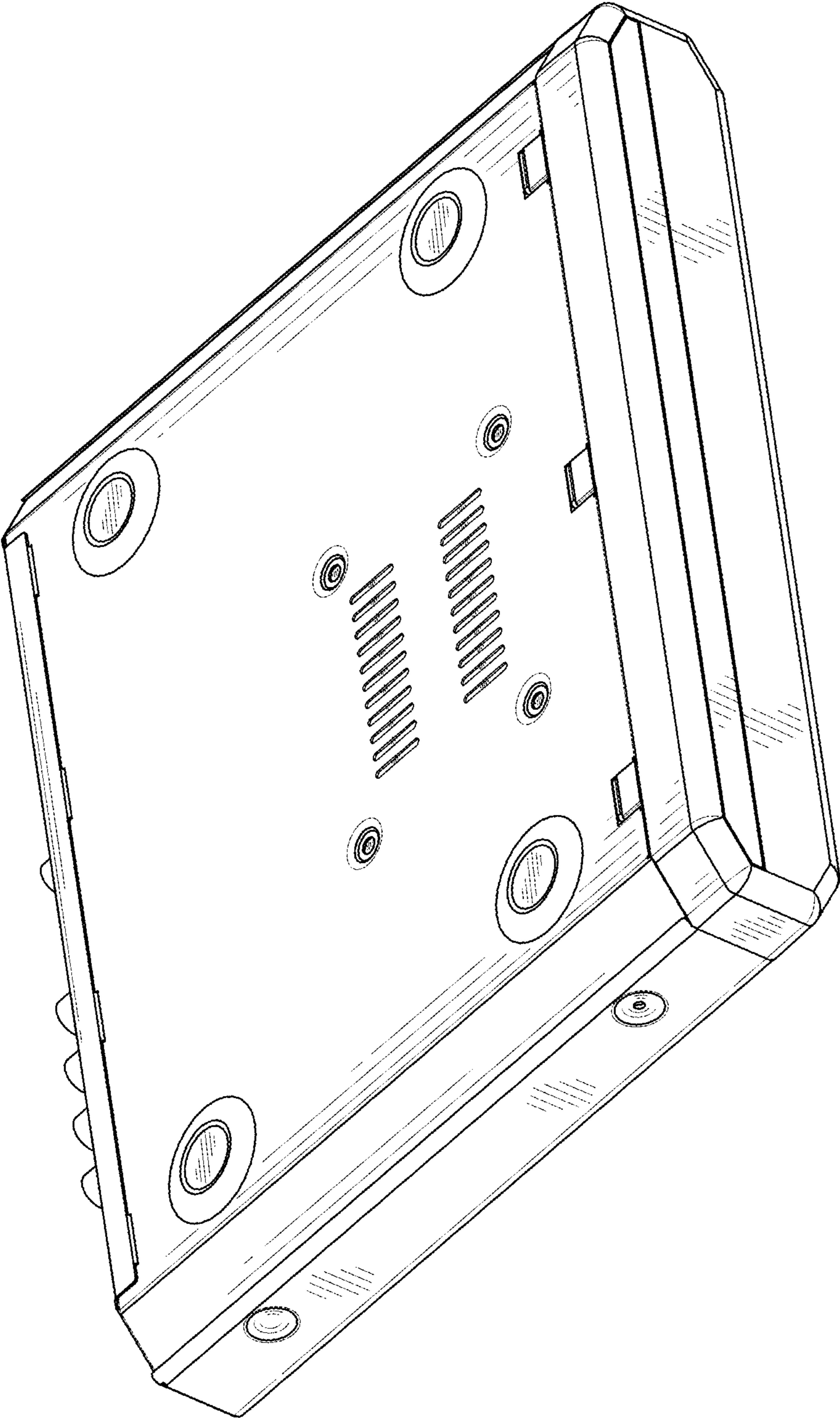


FIG. 2

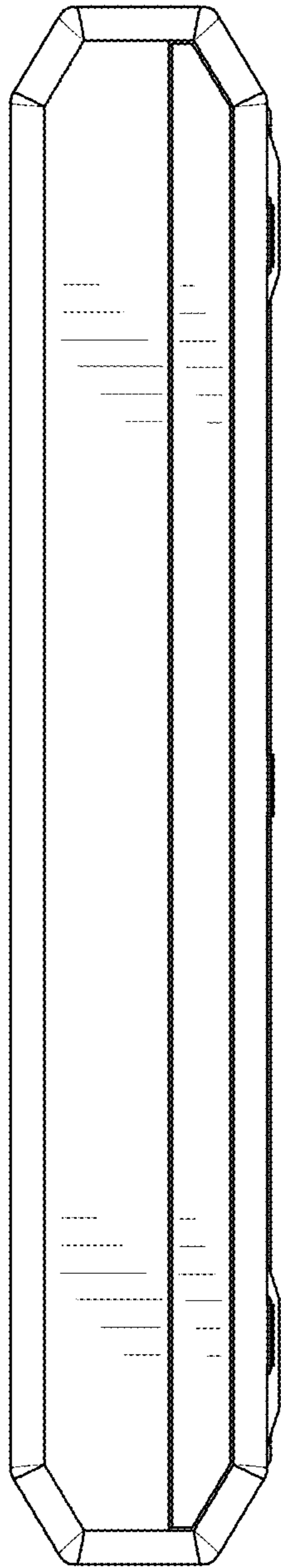


FIG. 3

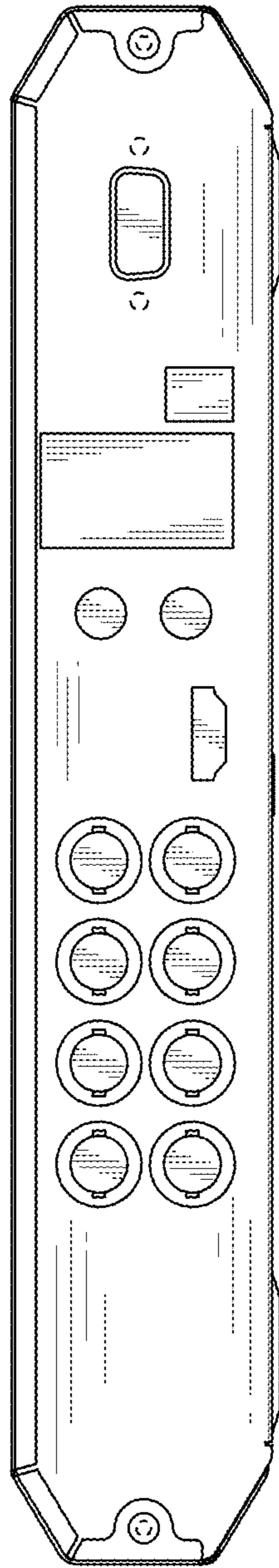


FIG. 4

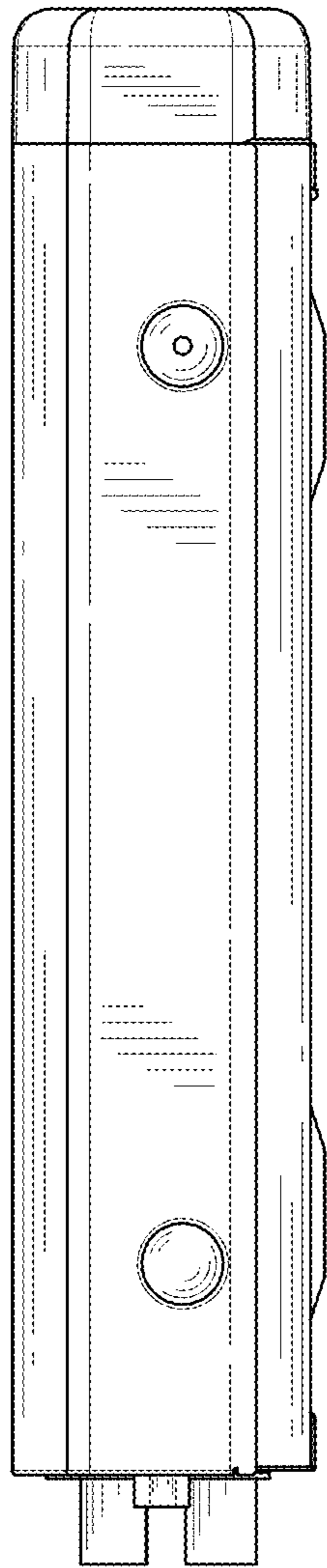


FIG. 5

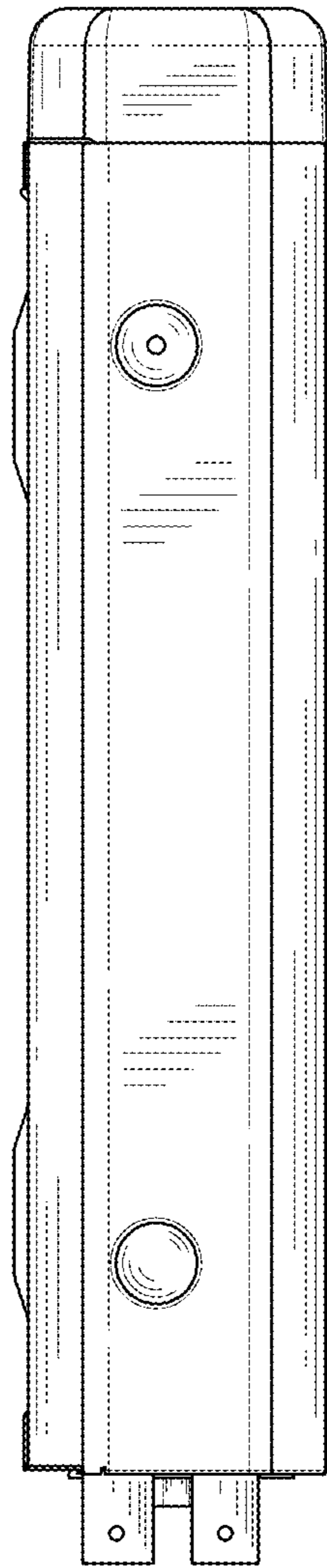


FIG. 6

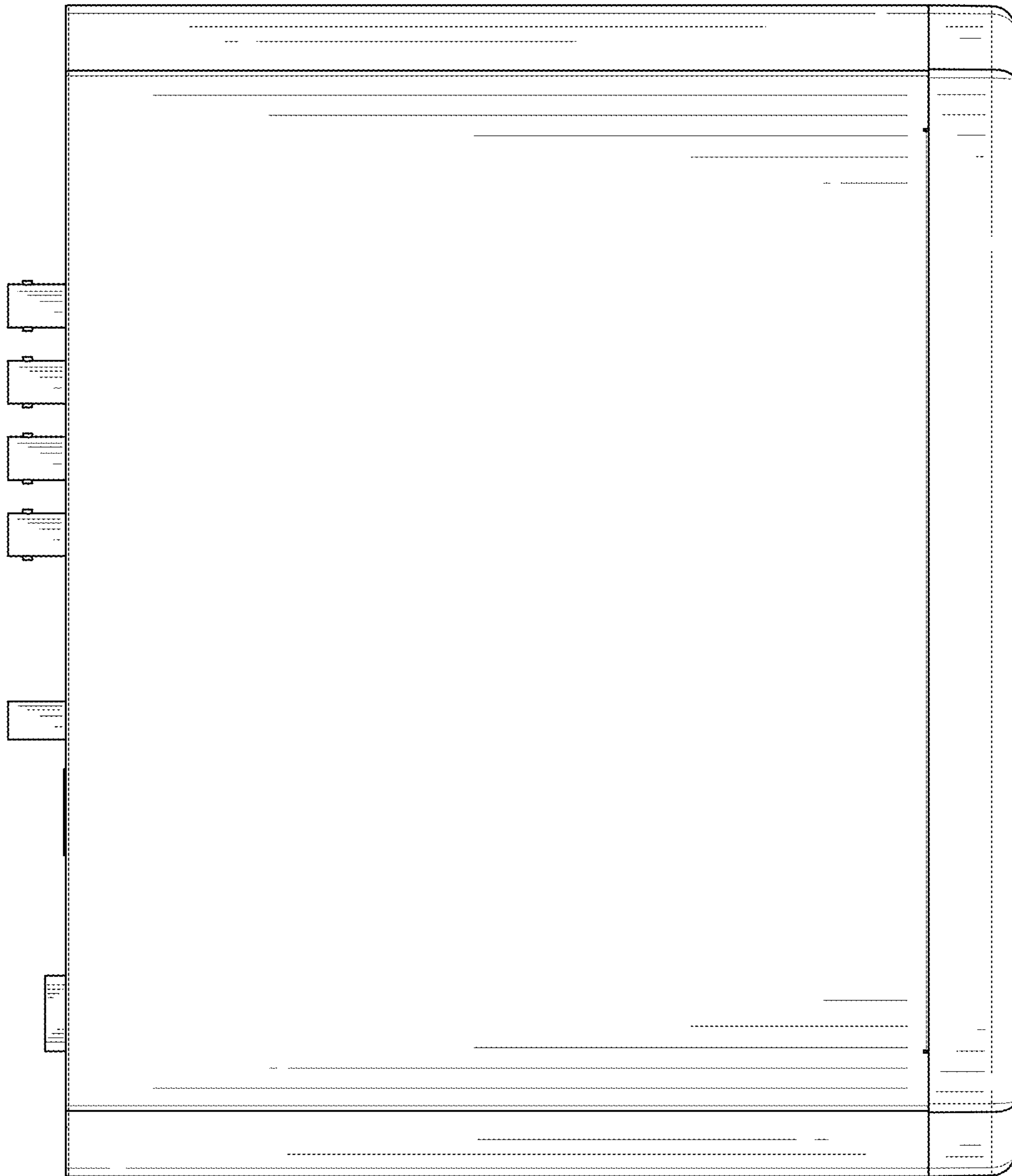


FIG. 7

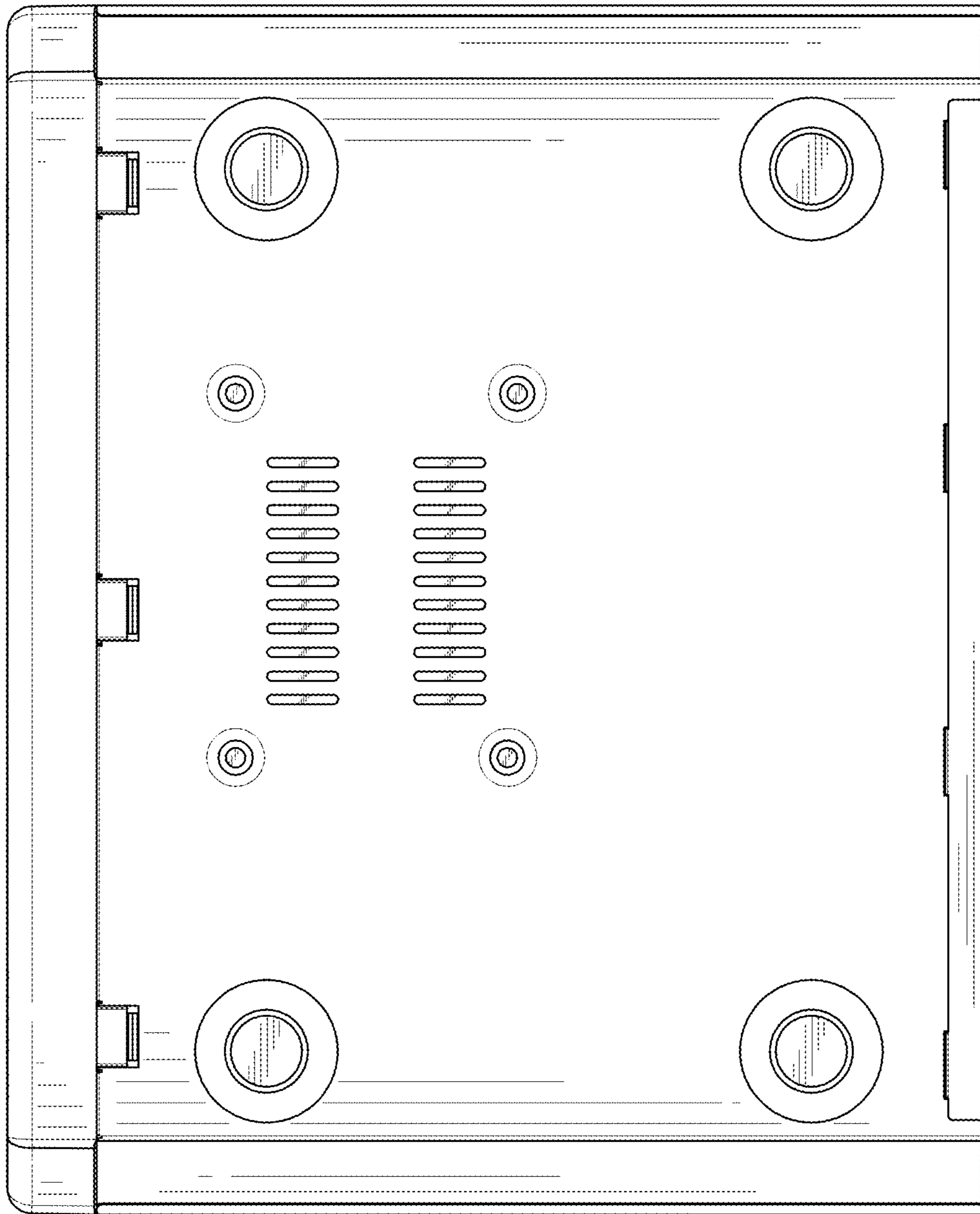


FIG. 8