



US00D936027S

(12) **United States Design Patent** (10) **Patent No.:** **US D936,027 S**
Pyo et al. (45) **Date of Patent:** **** Nov. 16, 2021**

(54) **FRAME FOR ROLLABLE DISPLAY** 6,503,188 B1 * 1/2003 August A47C 21/00
160/238
(71) Applicant: **LG ELECTRONICS INC., Seoul** D562,319 S * 2/2008 Kwon D14/375
(KR) D719,120 S * 12/2014 Park D14/126
D761,221 S * 7/2016 Kim D14/126
(72) Inventors: **Jonggil Pyo, Seoul (KR); Jaeyong** D818,977 S * 5/2018 Kim D14/126
Kim, Seoul (KR) D918,854 S * 5/2021 Pyo D14/126
D930,604 S * 9/2021 Pyo D14/126
2005/0105748 A1 * 5/2005 Bartell H04R 7/04
381/306
(73) Assignee: **LG Electronics Inc., Seoul (KR)** 2012/0026664 A1 * 2/2012 Wang G06F 1/1626
361/679.26
(**) Term: **15 Years** 2017/0318688 A1 * 11/2017 Kim G09F 9/301
(Continued)

(21) Appl. No.: **35/509,689**

(22) Filed: **Oct. 23, 2019**

(80) **Hague Agreement Data**

Int. Filing Date: **Oct. 23, 2019**
Int. Reg. No.: **DM/208772**
Int. Reg. Date: **Oct. 23, 2019**
Int. Reg. Pub. Date: **Jun. 26, 2020**

(30) **Foreign Application Priority Data**

Apr. 25, 2019 (KR) 30-2019-0019708

(51) **LOC (13) Cl.** **14-03**

(52) **U.S. Cl.**
USPC **D14/126**

(58) **Field of Classification Search**

USPC D6/300, 308, 310, 642, 643, 650.1,
D6/653.15, 654.15, 657, 661, 675;
D14/125-129, 132, 239, 336, 341,
D14/373-377, 451; D16/229, 235, 241
CPC G06F 1/1601; G06F 1/1605; G06F 1/162
See application file for complete search history.

(56) **References Cited**

U.S. PATENT DOCUMENTS

D318,284 S * 7/1991 Lo D16/229
D329,448 S * 9/1992 Lo D16/229
D366,055 S * 1/1996 Matsunaga 160/24
D367,490 S * 2/1996 Matsunaga 160/24

OTHER PUBLICATIONS

CES 2019: TV Set maker LG makes its sets disappear, publication date Jan. 8, 2019, [online] URL: <https://www.ecnmag.com/news/2019/01/ces-2019-tv-set-maker-lg-makes-its-sets-disappear> (Year: 2019).*

Primary Examiner — L. A. Grabenstetter

(74) *Attorney, Agent, or Firm* — Birch, Stewart, Kolasch & Birch, LLP

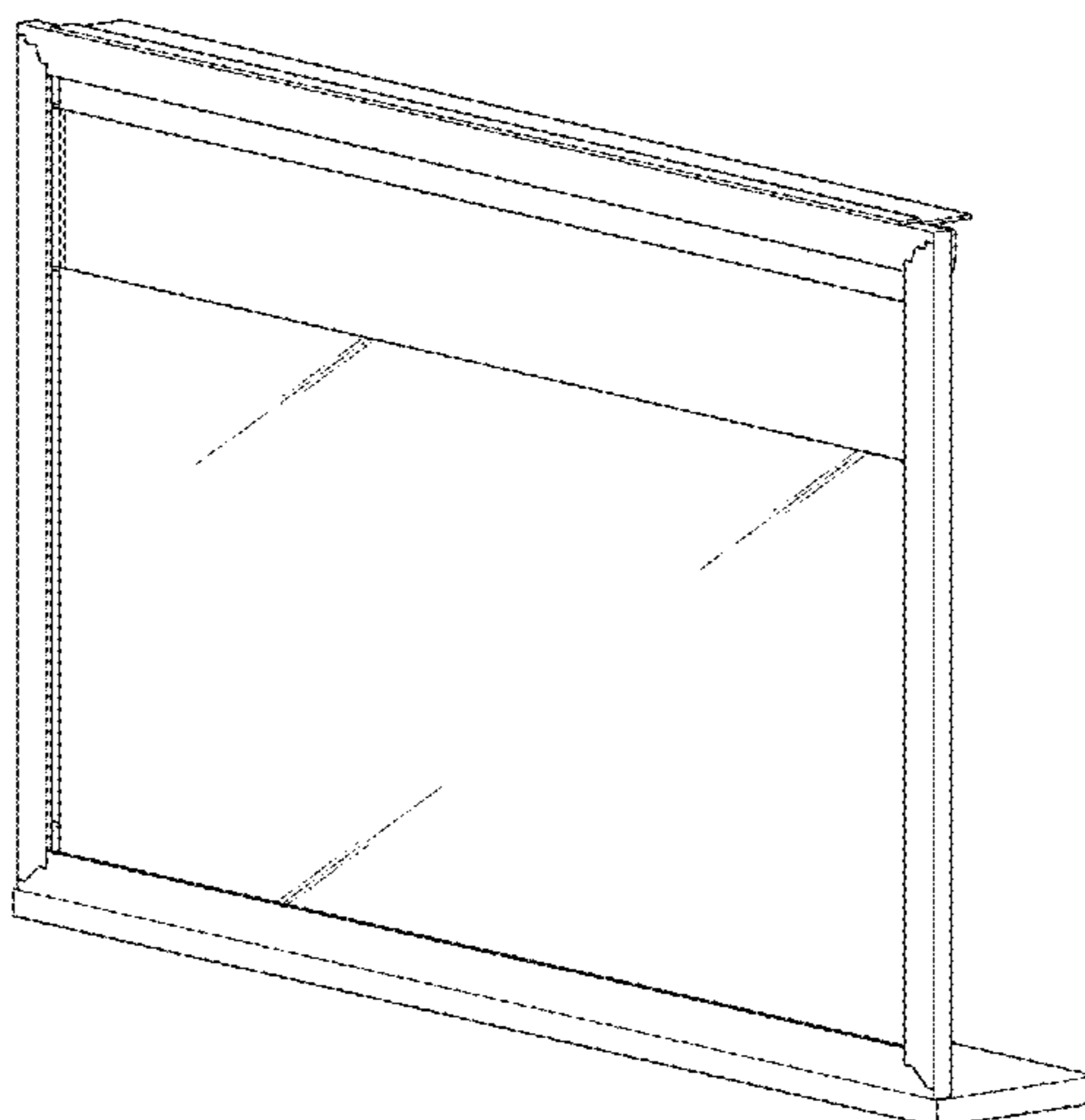
(57) **CLAIM**

The ornamental design for a frame for rollable display, as shown and described.

DESCRIPTION

- 1. Frame for rollable display
 - 1.1 : Perspective
 - 1.2 : Front
 - 1.3 : Back
 - 1.4 : Left
 - 1.5 : Right
 - 1.6 : Top
 - 1.7 : Bottom
 - 1.8 : Second Perspective, showing an alternate configuration where the lower display is rolled up
 - 1.9 : Third Perspective, showing an alternate configuration where the upper display is rolled down

1 Claim, 9 Drawing Sheets



(56)

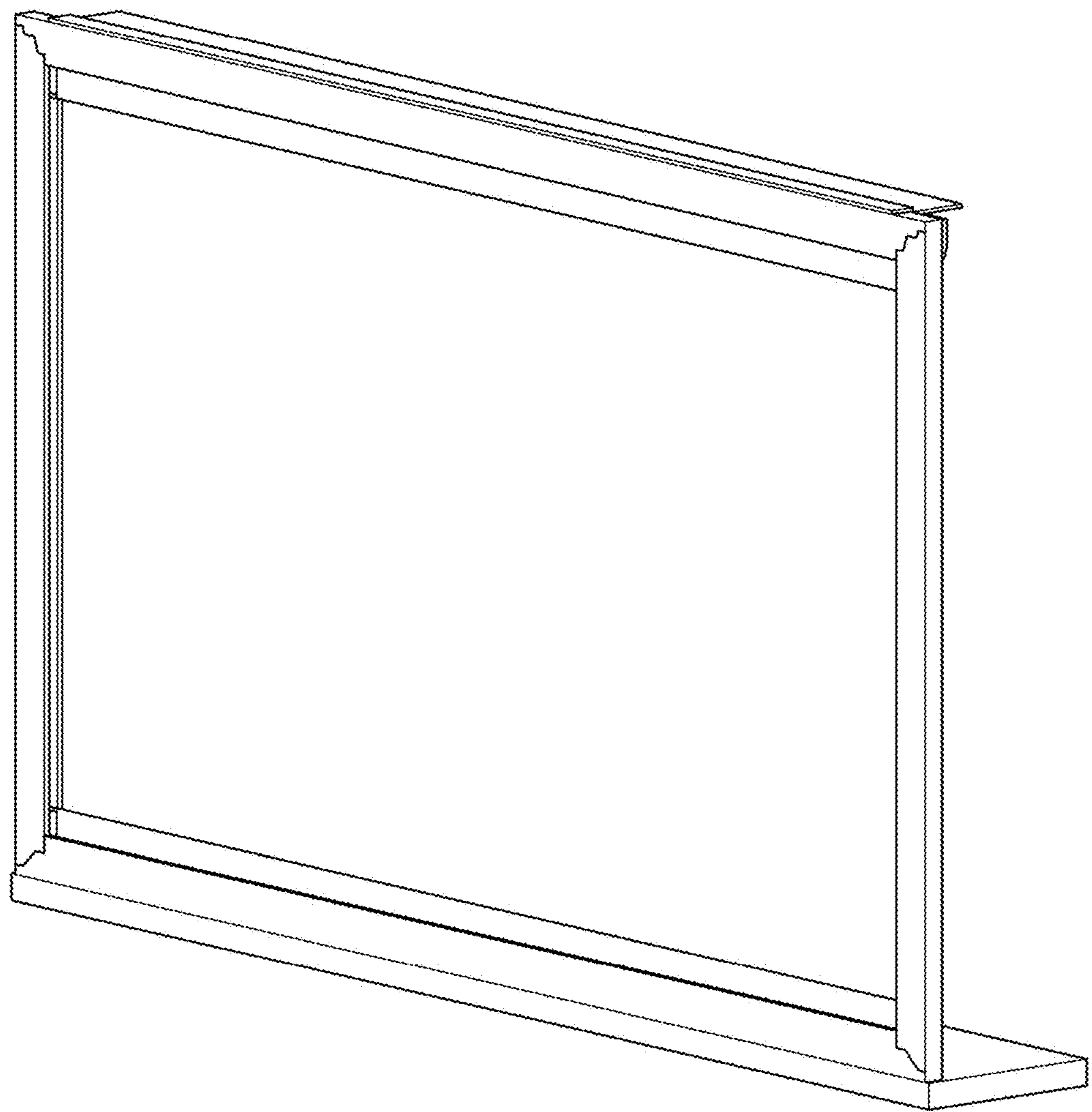
References Cited

U.S. PATENT DOCUMENTS

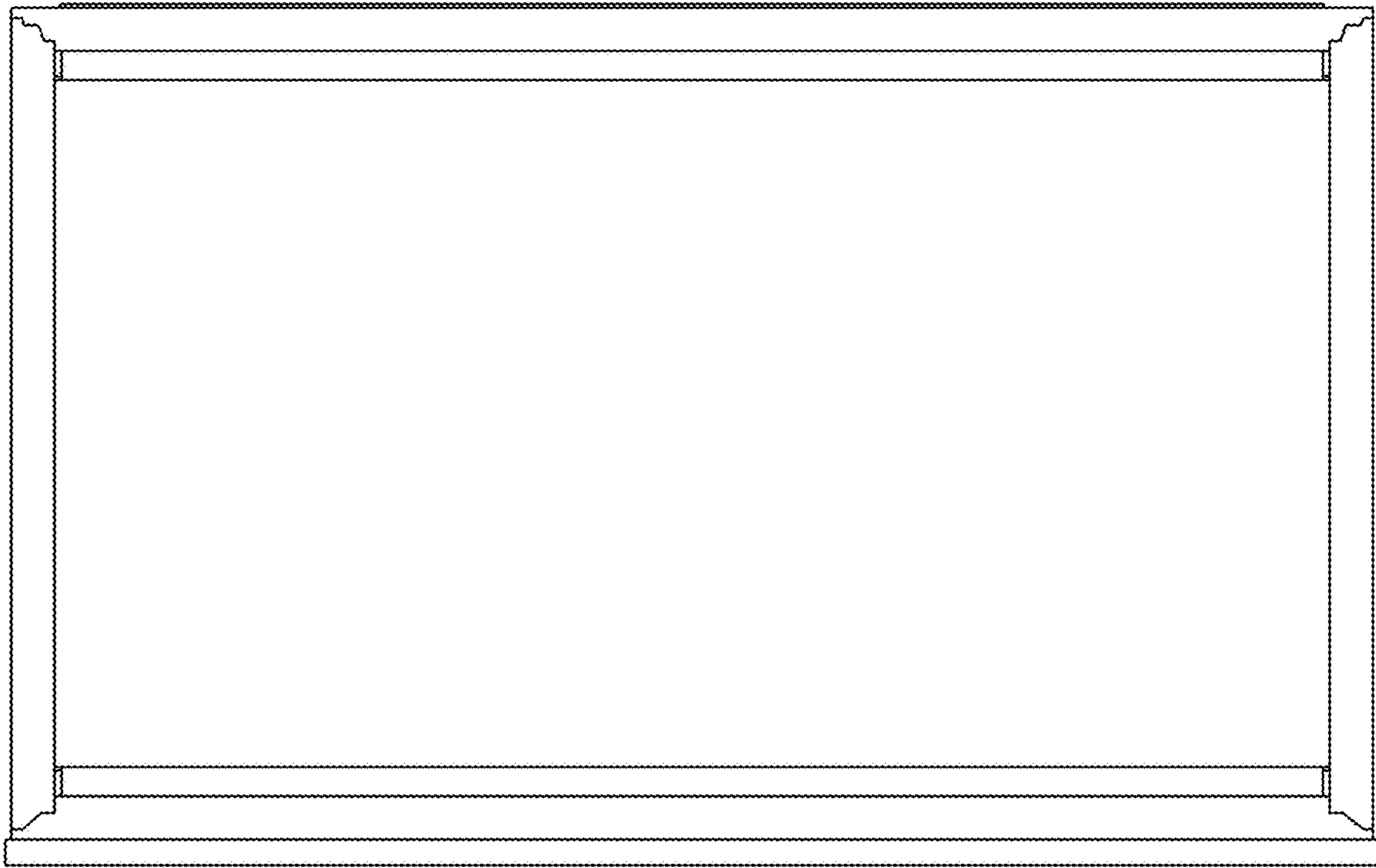
2017/0373269 A1* 12/2017 Seo H05K 1/181
2018/0359869 A1* 12/2018 Kim H05K 5/0217

* cited by examiner

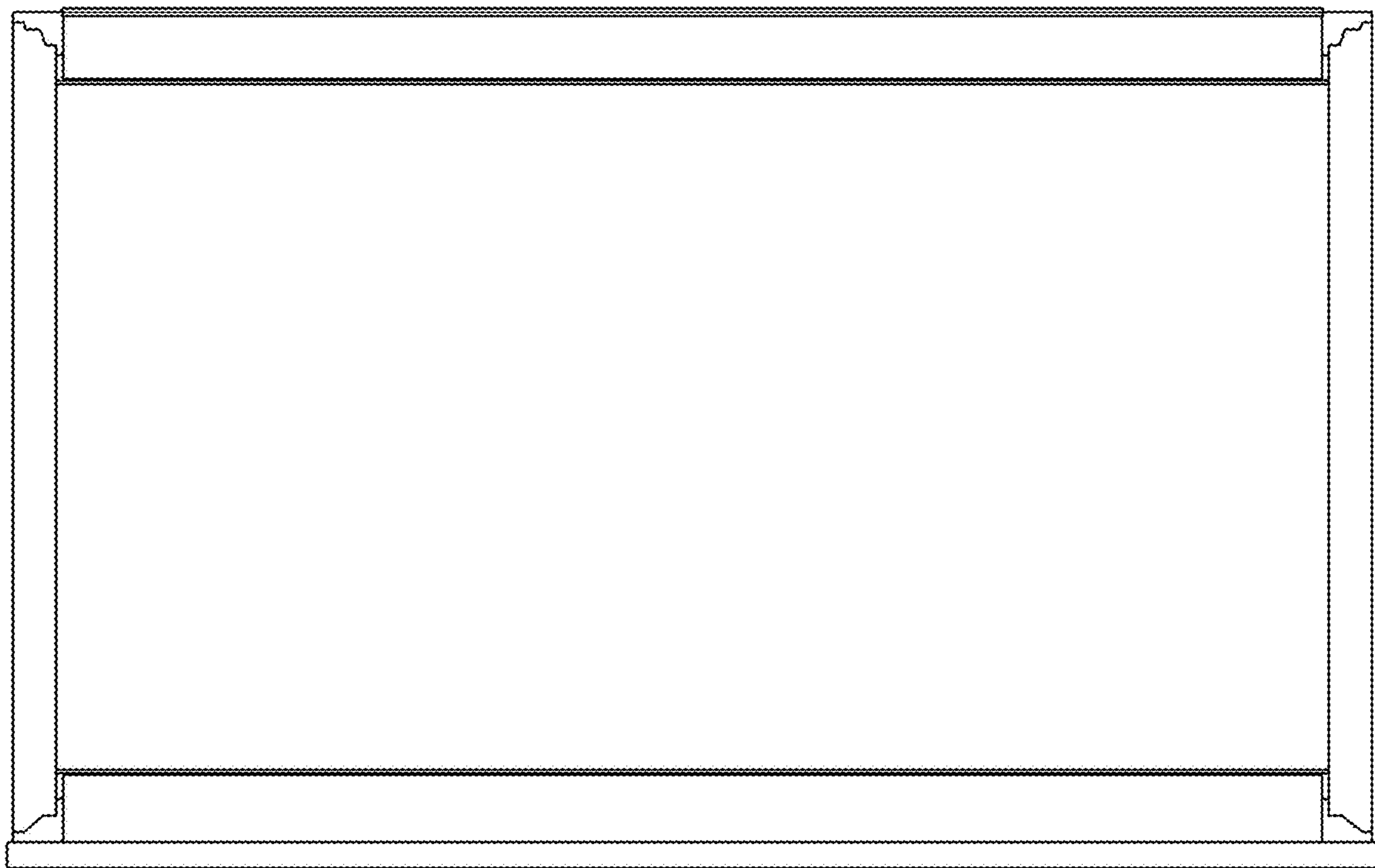
1.1



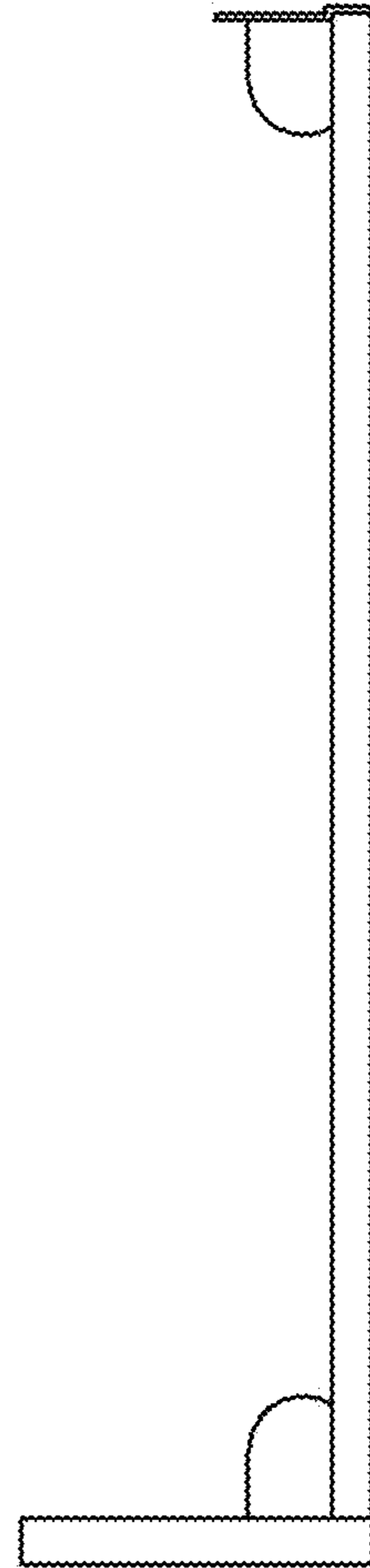
1.2



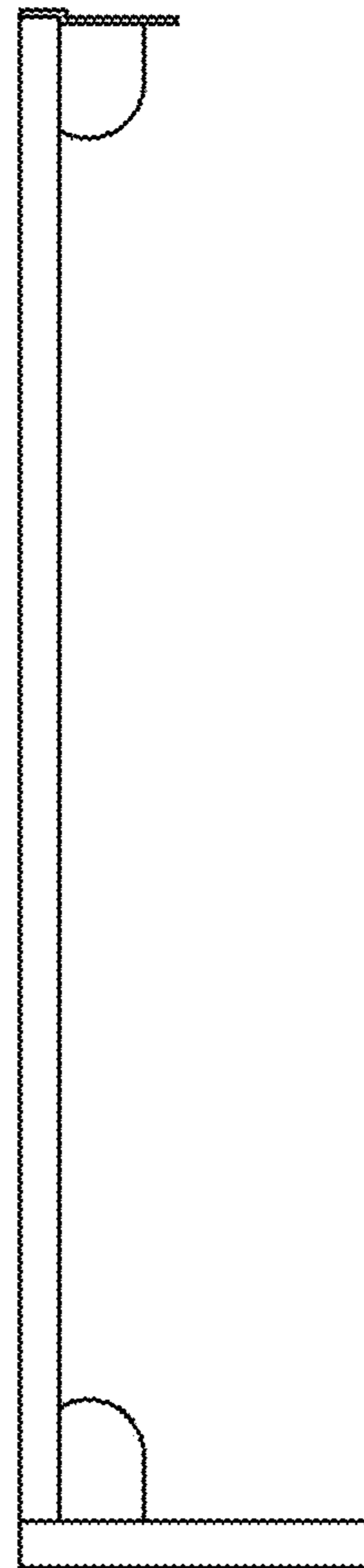
1.3



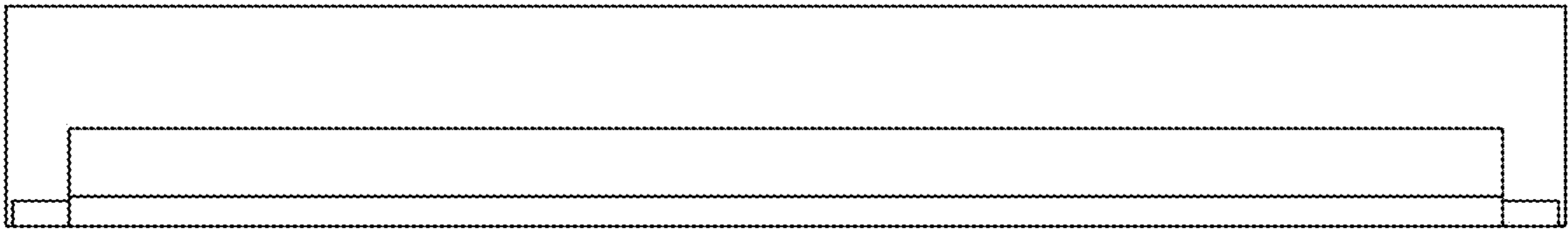
1.4



1.5



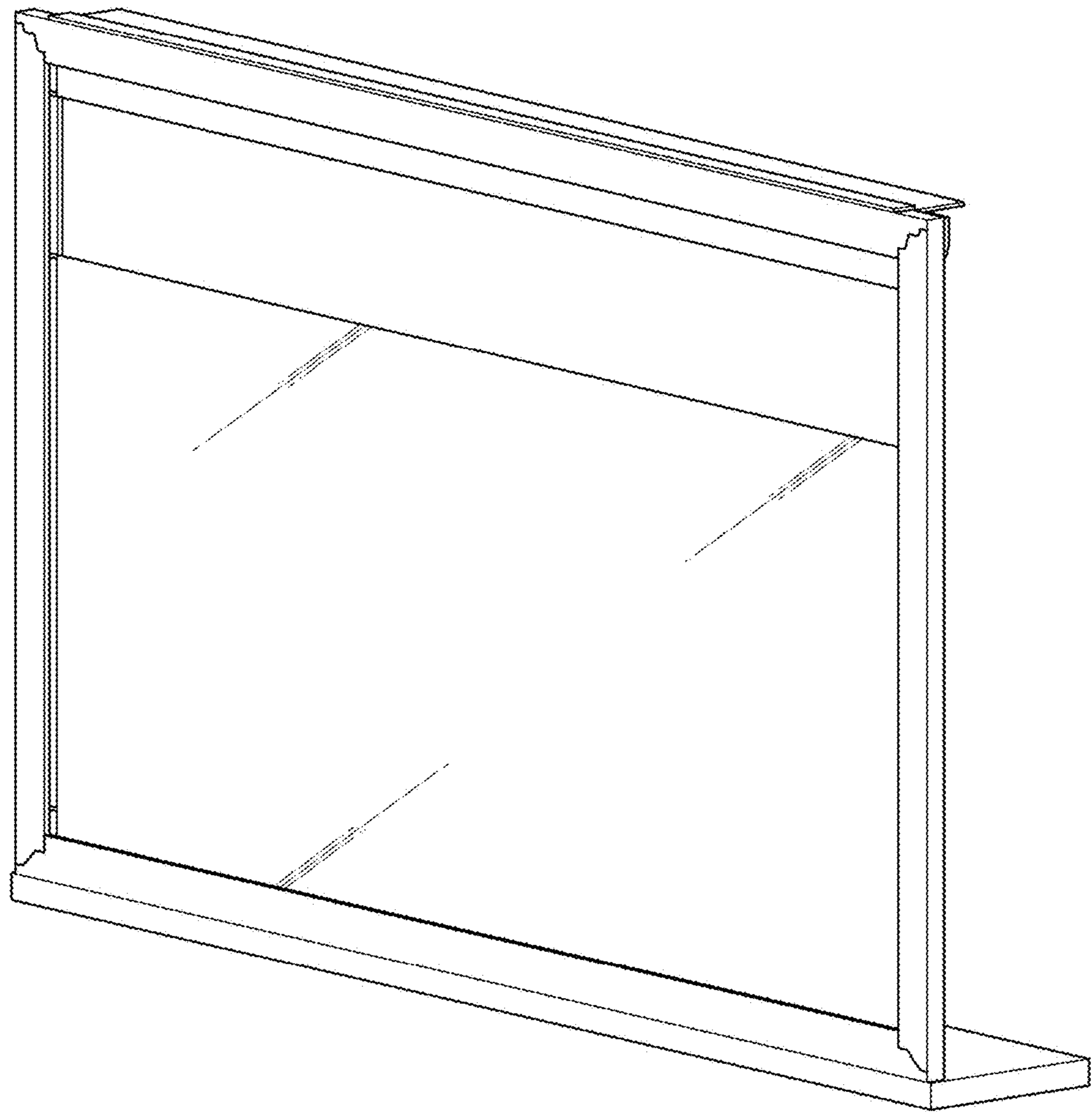
1.6



1.7



1.8



1.9

