



US00D936026S

(12) **United States Design Patent**
Lee et al.

(10) **Patent No.:** **US D936,026 S**
(45) **Date of Patent:** **** Nov. 16, 2021**

(54) **TELEVISION RECEIVER**

FOREIGN PATENT DOCUMENTS

(71) Applicant: **Samsung Electronics Co., Ltd.**,
Suwon-si (KR)

CN 303585529 2/2016
EM 000661418-0006 12/2007

(Continued)

(72) Inventors: **Seung-Ho Lee**, Suwon-si (KR);
Jang-Ho Kim, Suwon-si (KR);
Jae-Wook Yoo, Suwon-si (KR)

Primary Examiner — Ramzi Almatrahi

Assistant Examiner — Charles Cunningham

(73) Assignee: **SAMSUNG ELECTRONICS CO., LTD.**,
Suwon-si (KR)

(74) *Attorney, Agent, or Firm* — McAndrews Held &
Malloy, Ltd.

(**) Term: **15 Years**

(57) **CLAIM**

(21) Appl. No.: **29/724,050**

The ornamental design for a television receiver, as shown
and described.

(22) Filed: **Feb. 12, 2020**

(30) **Foreign Application Priority Data**

DESCRIPTION

Aug. 30, 2019 (KR) 30-2019-0041772

(51) **LOC (13) Cl.** **14-03**

(52) **U.S. Cl.**
USPC **D14/126**

(58) **Field of Classification Search**

USPC D14/125, 126, 127-137, 163, 172, 188,
D14/204, 205, 206, 210, 212, 214-215,
D14/219, 239, 240, 257, 258, 305, 307,
D14/314-316, 335, 336, 340, 371-377,
D14/447, 448-451; D20/10, 17, 18, 19,
D20/21, 27, 39, 41, 42, 99; D21/329,
D21/332, 515; D6/300, 308, 309, 553,
D6/574; D10/15, 70; D18/4.4;
D16/135; D15/89

(Continued)

FIG. 1 is a front perspective view of a television receiver
showing our new design;

FIG. 2 is a front elevation view thereof;

FIG. 3 is a rear elevation view thereof;

FIG. 4 is a left side elevation view thereof;

FIG. 5 is a right side elevation view thereof;

FIG. 6 is a top plan view thereof;

FIG. 7 is a bottom plan view thereof;

FIG. 8 is a rear perspective view thereof;

FIG. 9 is an enlarged view of portion 9 shown in FIG. 8;

FIG. 10 is an enlarged view of portion 10 shown in FIG. 8;

and,

FIG. 11 is an enlarged view of portion 10 shown in FIG. 8.

The evenly dashed broken lines in the drawings illustrate
portions of the television receiver that form no part of the
claimed design. The dot-dash broken lines in the drawings
define the boundary of the claimed design and form no part
thereof. The dot-dot-dash broken lines in the drawings
delineate portions of the design that are illustrated in
enlargements and form no part of the claimed design.

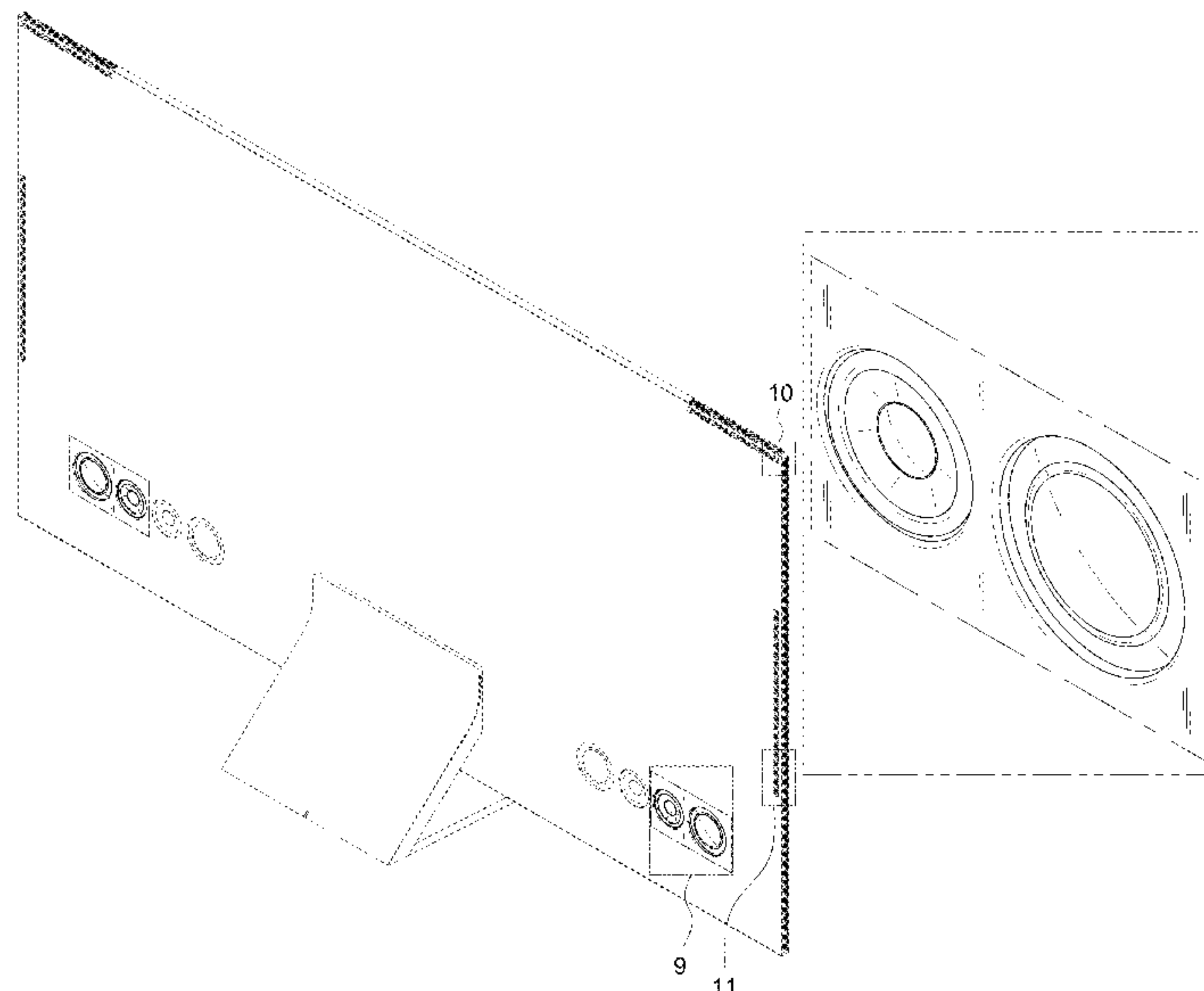
(56) **References Cited**

U.S. PATENT DOCUMENTS

D501,186 S * 1/2005 Kita D14/126
D510,568 S * 10/2005 Joe D14/128

(Continued)

1 Claim, 11 Drawing Sheets



(58) **Field of Classification Search**

CPC A47B 57/20; A47B 81/06; A47B 47/042;
F16M 11/10; G02B 25/002; G02B
6/0068; G06F 1/16; G06F 1/1601; G06F
1/1637; G06F 1/1643; H04N 5/64; H04N
5/66; H04N 5/655; H04N 7/00; H04N
9/3141; H04N 13/0459; H04N 17/04;
H04N 17/004; H04N 21/43637; H05K
5/0204; H05K 5/0004; H05K 5/0017;
H05K 5/0217; H05K 5/02

See application file for complete search history.

(56) **References Cited**

U.S. PATENT DOCUMENTS

D511,506 S *	11/2005	Min	D14/126
D623,618 S *	9/2010	Yoshida	D14/126
D629,388 S *	12/2010	Son	D14/214
D644,193 S *	8/2011	Wang	D14/126
D653,239 S *	1/2012	Kim	D14/215
D682,234 S *	5/2013	Lee	D14/126
D682,799 S *	5/2013	Hwang Bo	D14/126
D700,586 S *	3/2014	Kim	D14/126
D710,823 S *	8/2014	Woo	D14/214
D720,723 S *	1/2015	Cho	D14/215
D893,455 S *	8/2020	Winton	D14/212

FOREIGN PATENT DOCUMENTS

EM	001905902-0004	3/2012
KR	300603905	7/2011
KR	300944862	2/2018

* cited by examiner

FIG. 1

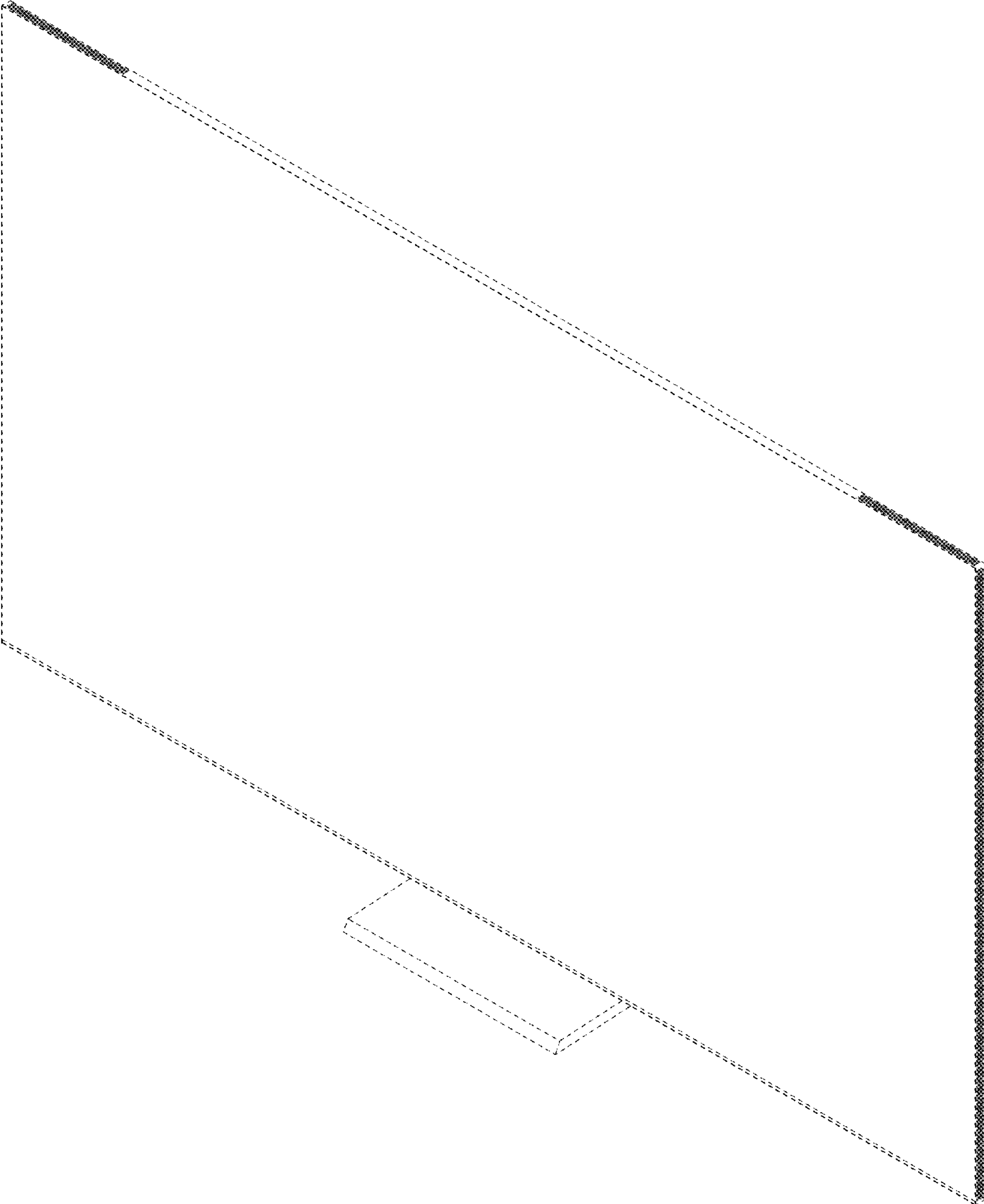


FIG. 2

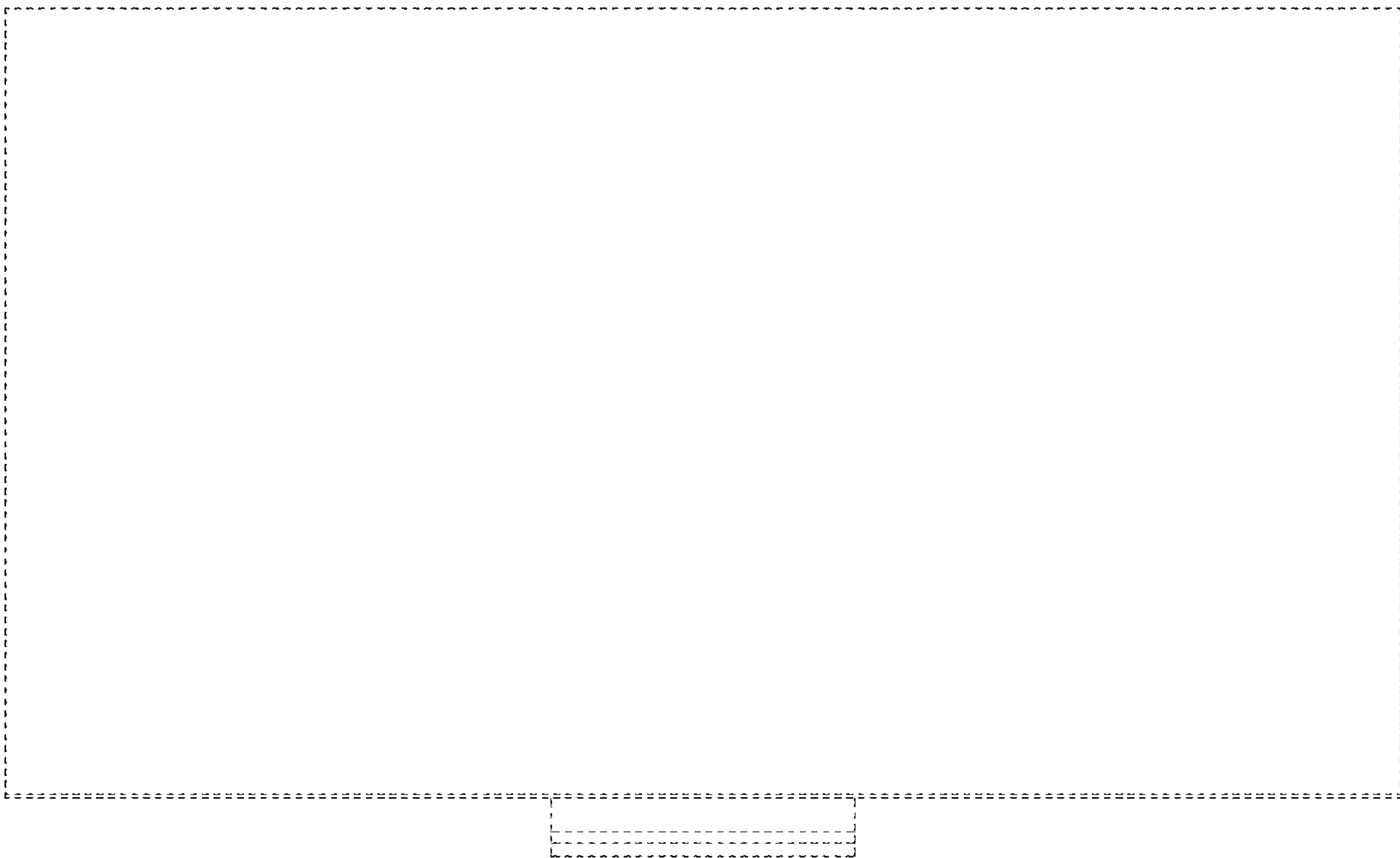


FIG. 3

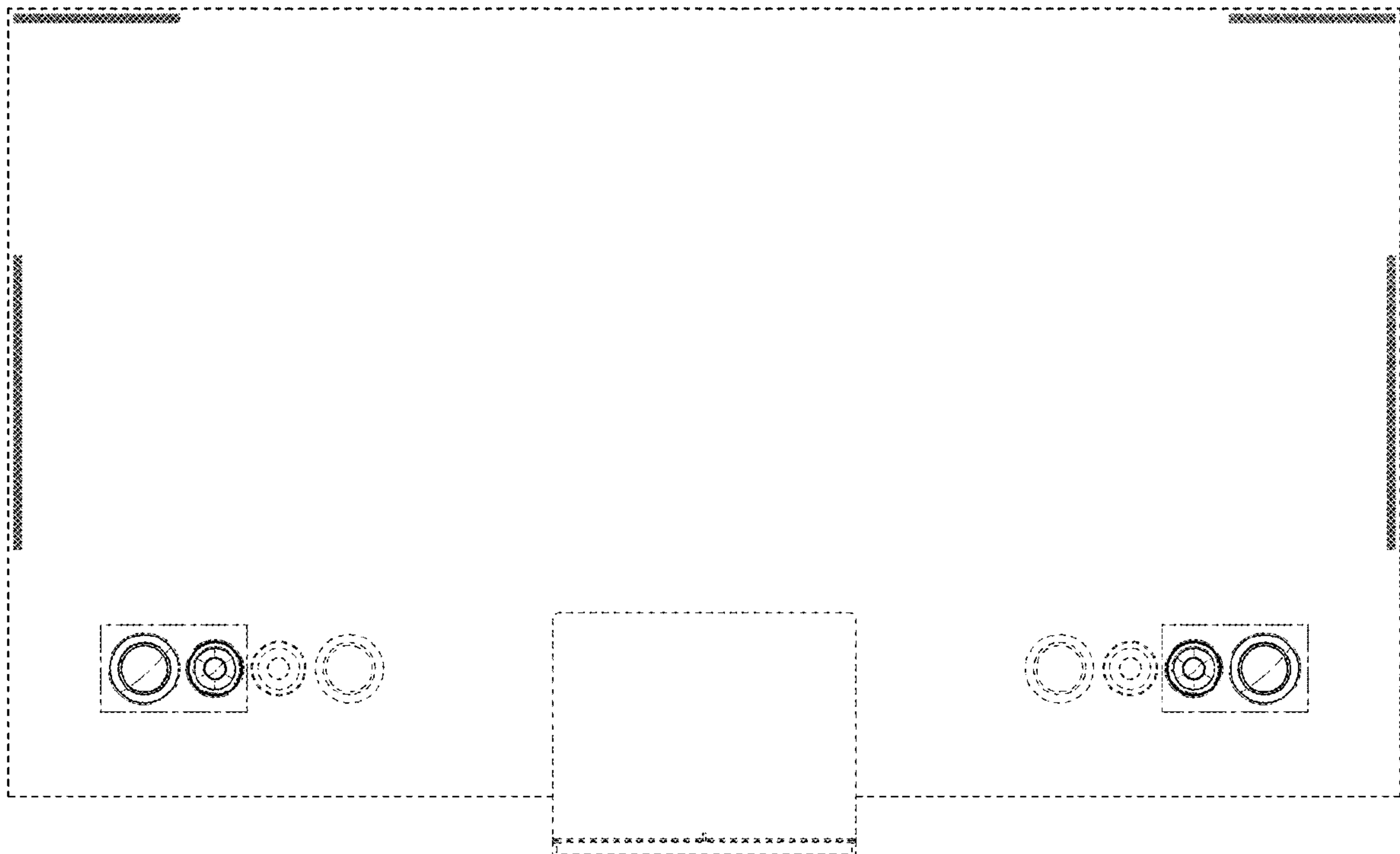


FIG. 4

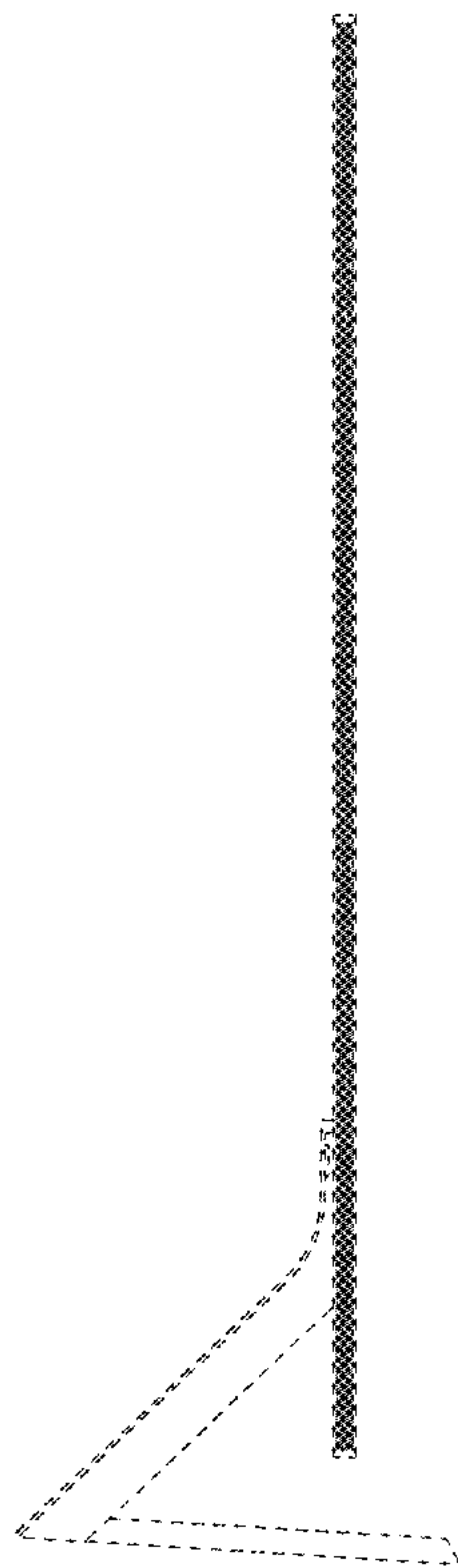


FIG. 5

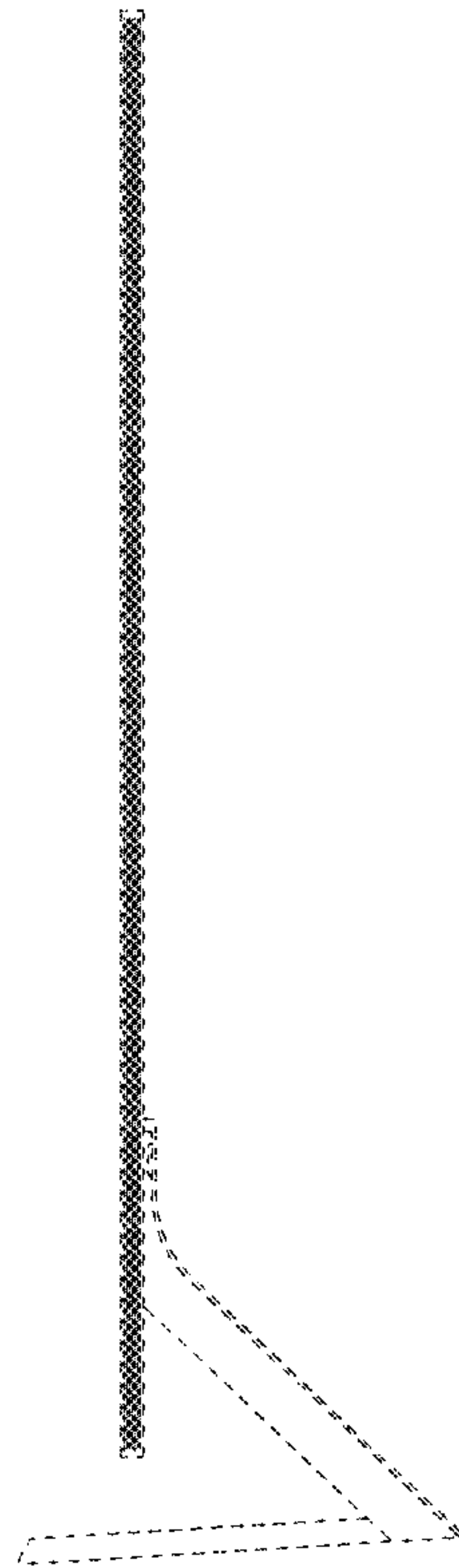


FIG. 6

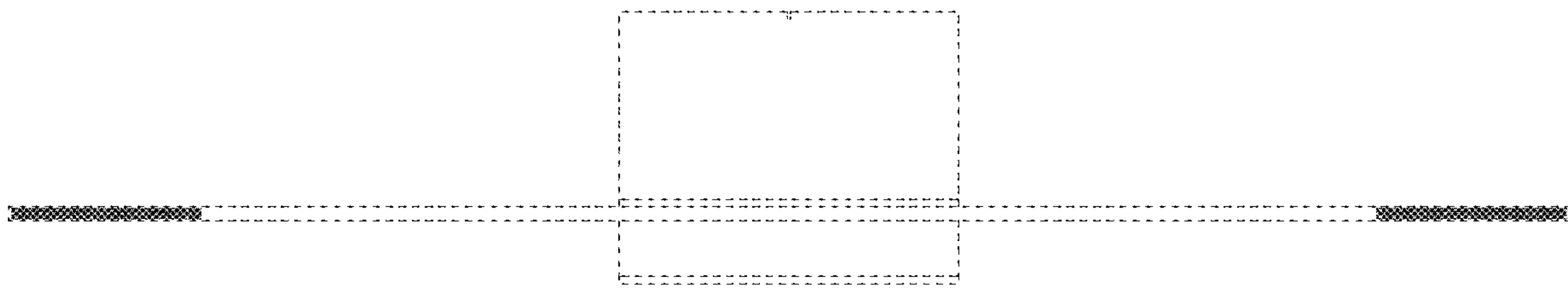


FIG. 7



FIG. 8

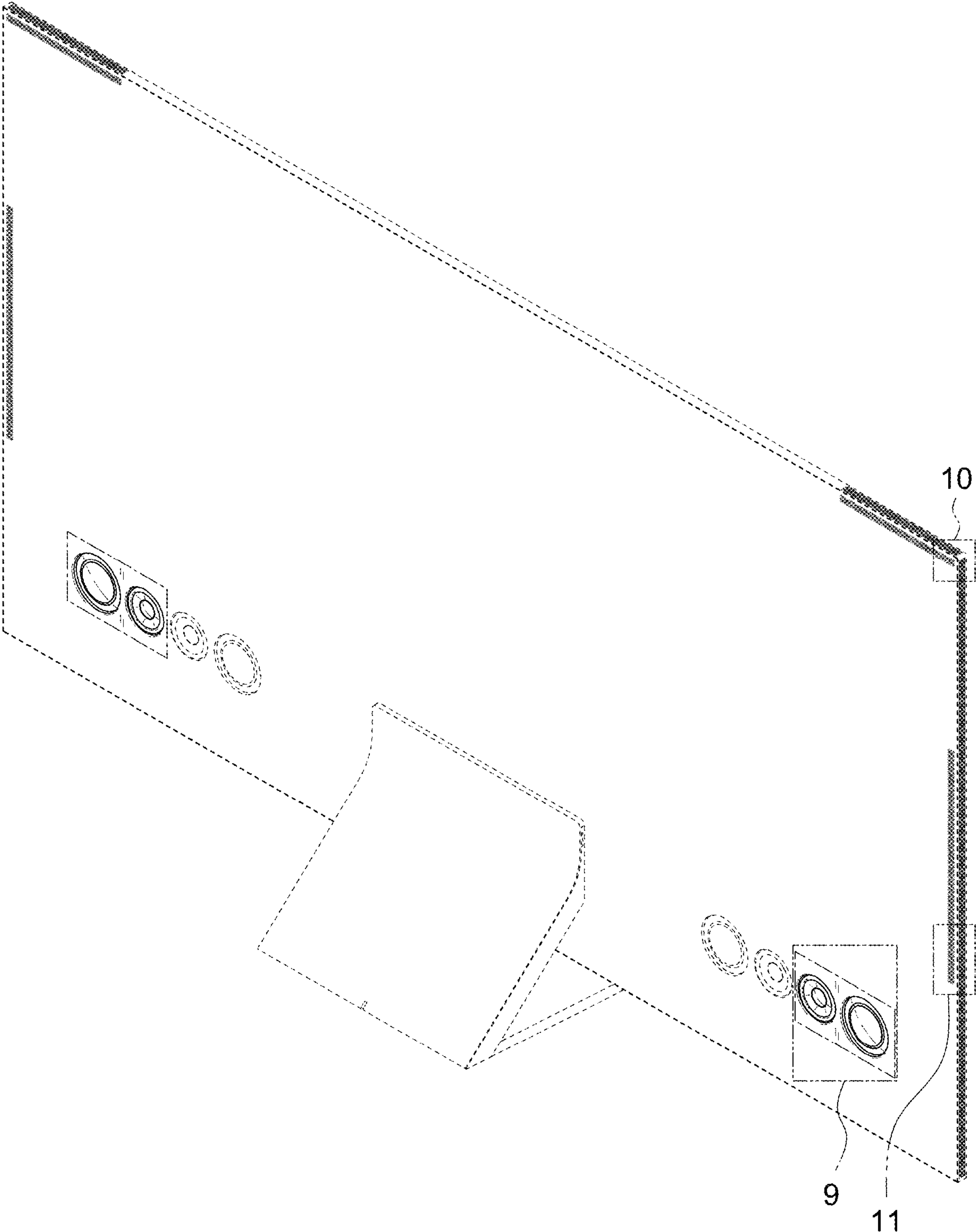


FIG. 9

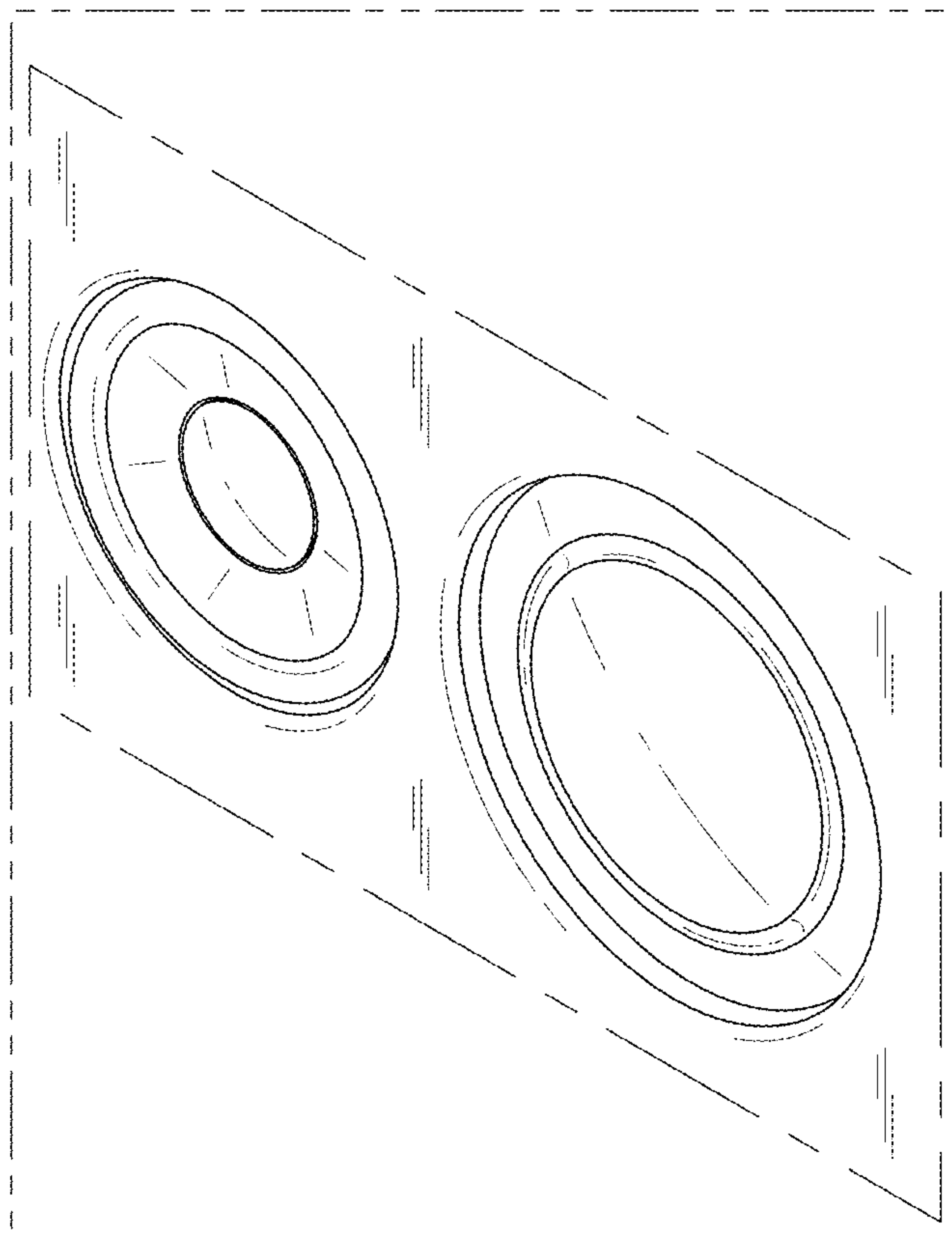


FIG. 10

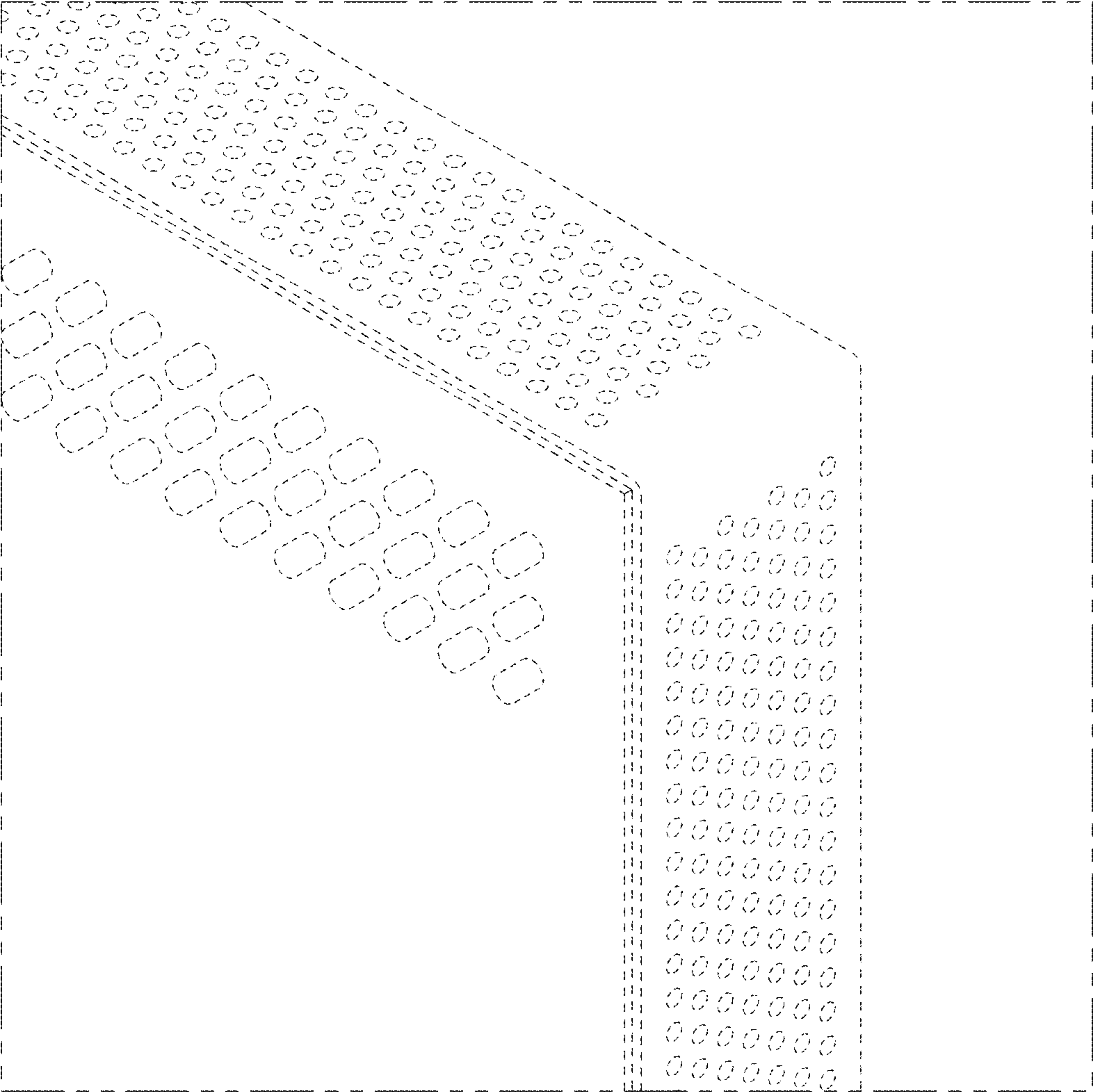


FIG. 11

