



US00D936024S

(12) **United States Design Patent**  
**Chen**

(10) **Patent No.:** **US D936,024 S**

(45) **Date of Patent:** **\*\* Nov. 16, 2021**

(54) **CONTROL BOX**

(71) Applicant: **TIMOTION TECHNOLOGY CO., LTD.**, New Taipei (TW)

(72) Inventor: **Yi-Fu Chen**, New Taipei (TW)

(73) Assignee: **TIMOTION TECHNOLOGY CO., LTD.**, New Taipei (TW)

(\*\*) Term: **15 Years**

(21) Appl. No.: **29/748,199**

(22) Filed: **Aug. 27, 2020**

(51) **LOC (13) Cl.** ..... **13-03**

(52) **U.S. Cl.**  
USPC ..... **D13/162**

(58) **Field of Classification Search**  
USPC ... D13/110, 123, 147, 162, 162.1, 164, 184;  
D15/143, 148  
CPC .... A47C 7/506; H01R 13/514; H01R 13/639;  
H05K 5/00; H05K 5/0004; H05K 5/0021;  
H05K 5/0026; H05K 5/03; H05K 5/04;  
H05K 5/06; H05K 7/1462; H05K 7/1472  
See application file for complete search history.

(56) **References Cited**

**U.S. PATENT DOCUMENTS**

D465,797 S \* 11/2002 Landerholm ..... D15/143  
D543,957 S \* 6/2007 Landerholm ..... D13/184  
D669,440 S \* 10/2012 Wu ..... D13/162  
D775,677 S \* 1/2017 Jorgensen ..... D15/143

D785,574 S \* 5/2017 Wu ..... D13/162  
D792,354 S \* 7/2017 Lin ..... D13/162  
D792,355 S \* 7/2017 Lin ..... D13/162  
D792,356 S \* 7/2017 Lin ..... D13/162  
D800,076 S \* 10/2017 Lin ..... D13/162  
D924,815 S \* 7/2021 Yu ..... D13/158  
D924,816 S \* 7/2021 Yu ..... D13/158  
2007/0297150 A1 \* 12/2007 Jensen ..... H05K 5/0021  
361/736  
2010/0178793 A1 \* 7/2010 Wu ..... B66F 3/44  
439/374

\* cited by examiner

*Primary Examiner* — Selina Sikder

(74) *Attorney, Agent, or Firm* — Chun-Ming Shih; HDLS IPR Services

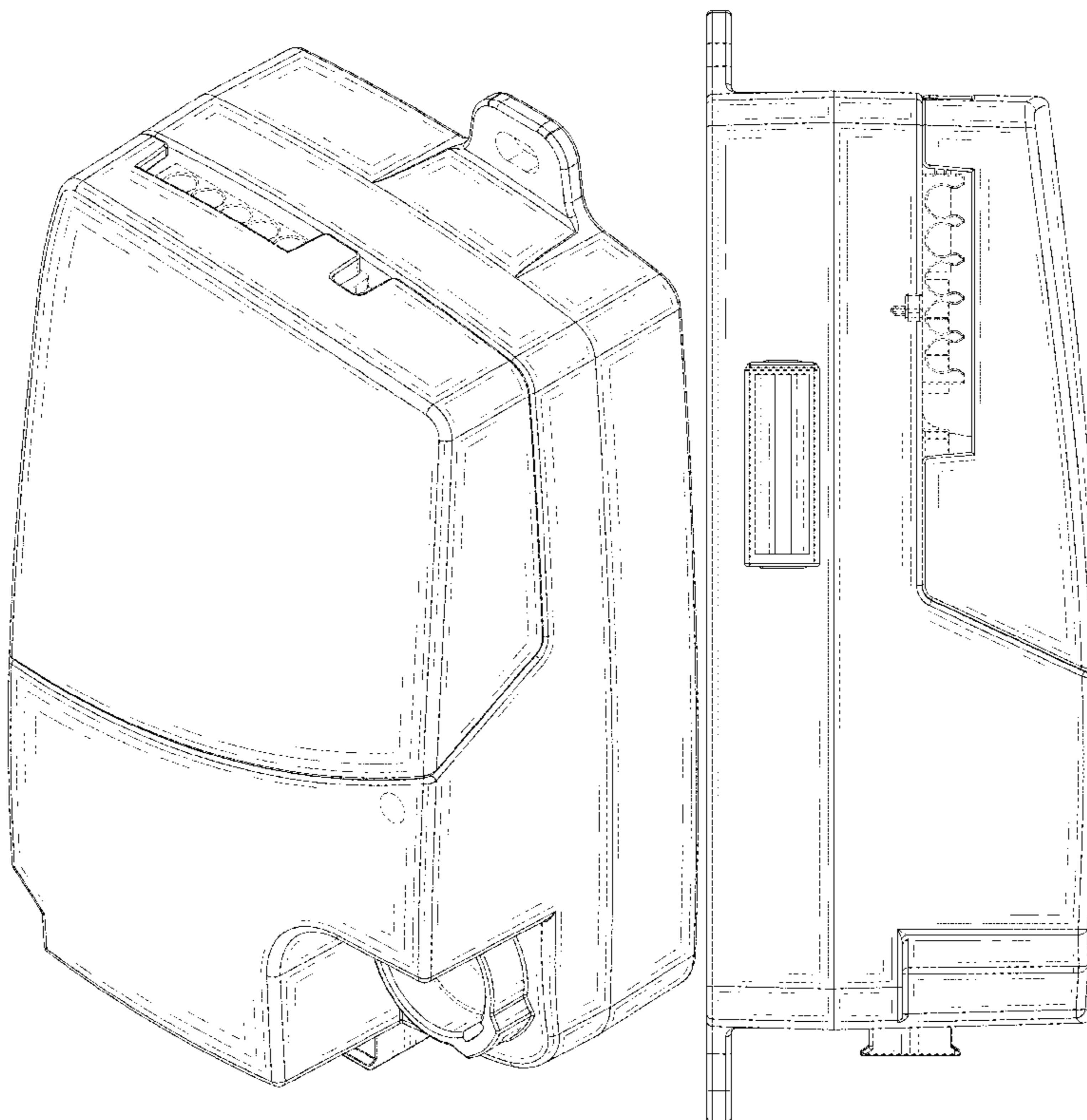
(57) **CLAIM**

The ornamental design for a control box, as shown and described.

**DESCRIPTION**

FIG. 1 is a perspective view of a control box showing my new design;  
FIG. 2 is a front view thereof;  
FIG. 3 is a rear view thereof;  
FIG. 4 is a left side view thereof;  
FIG. 5 is a right side view thereof;  
FIG. 6 is a top view thereof;  
FIG. 7 is a bottom view thereof; and,  
FIG. 8 is a second perspective view showing the control box.  
The broken lines in the drawings illustrate portions of the control box that form no part of the claimed design.

**1 Claim, 8 Drawing Sheets**



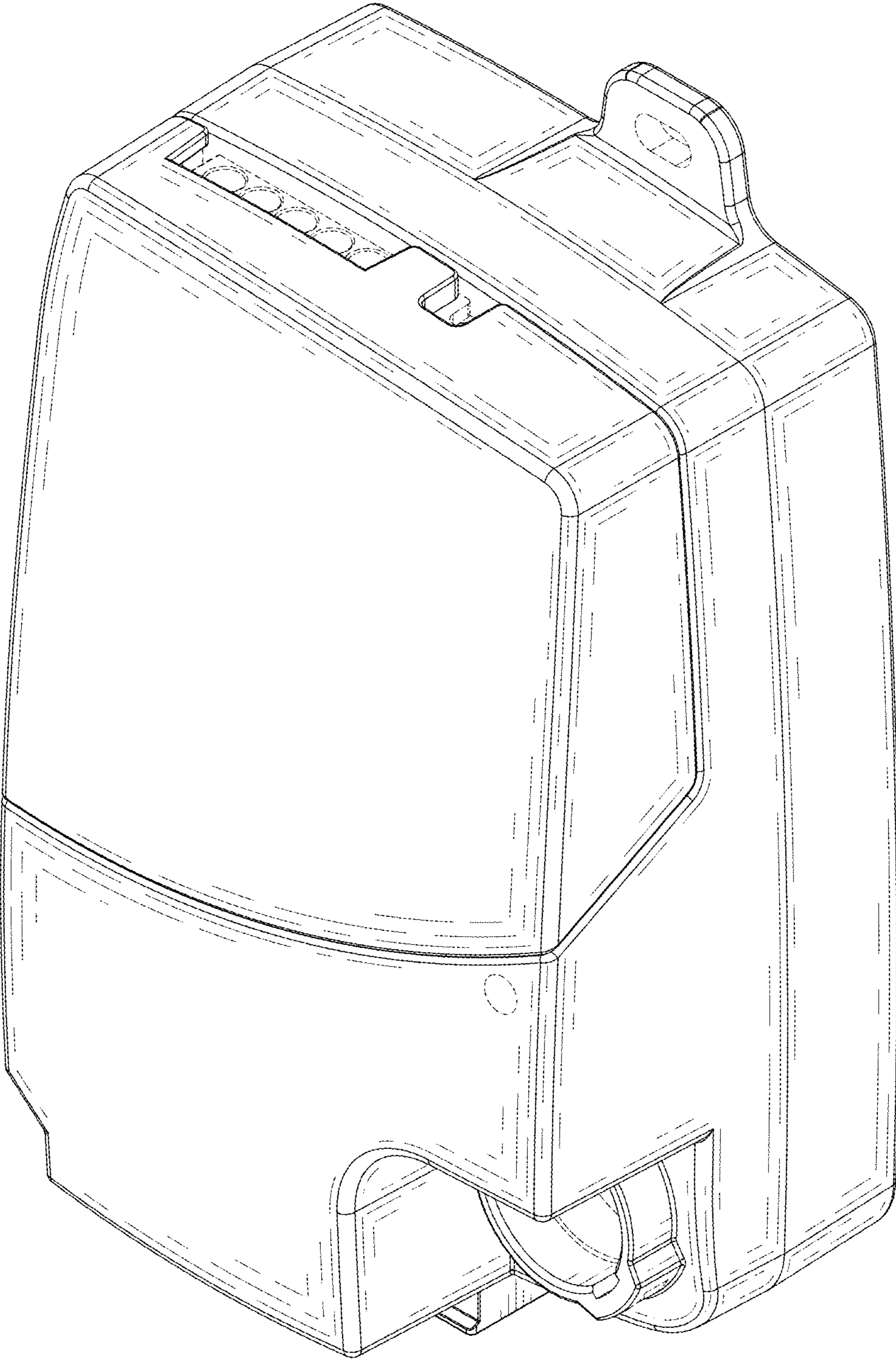


FIG.1

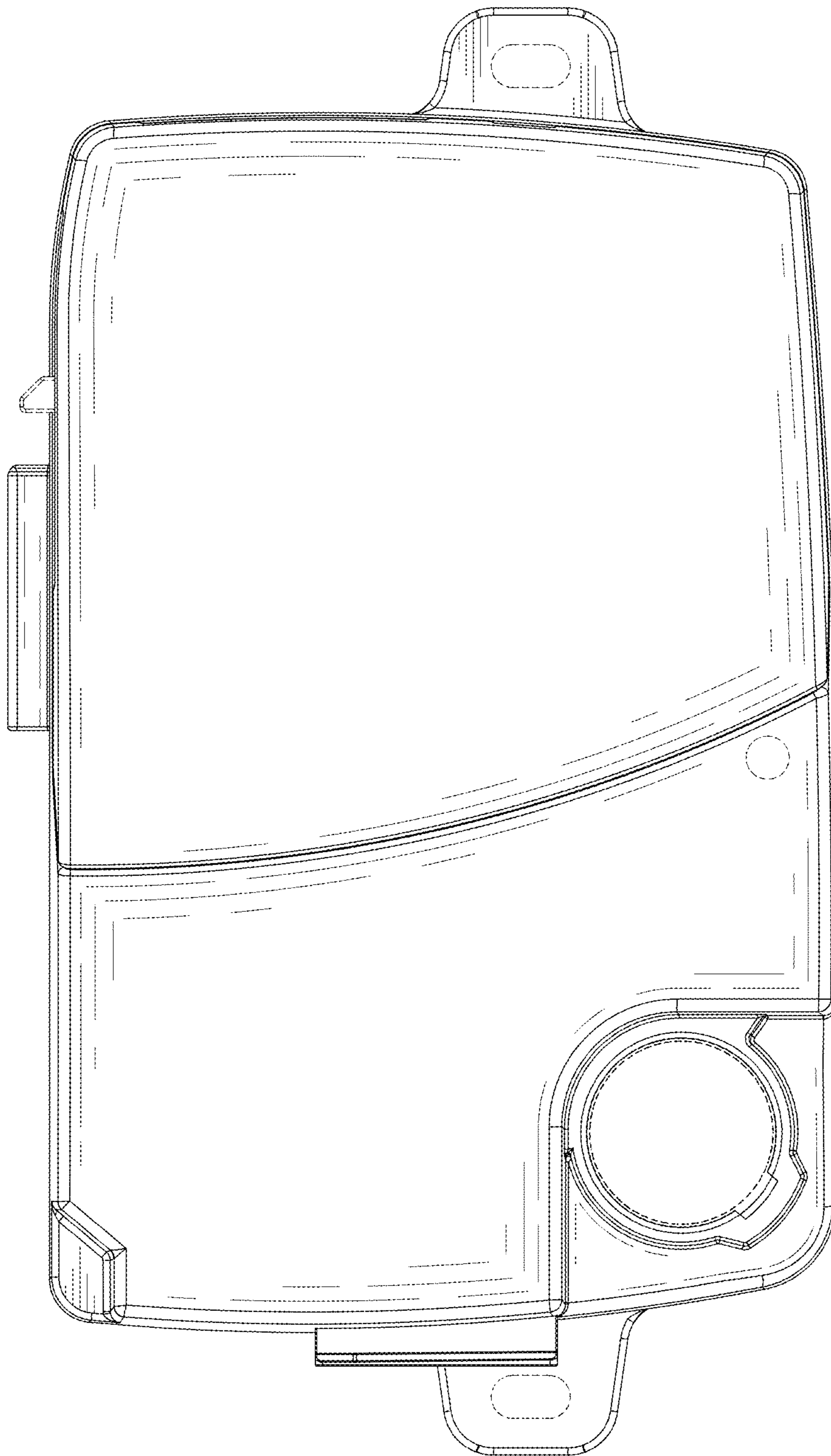


FIG.2

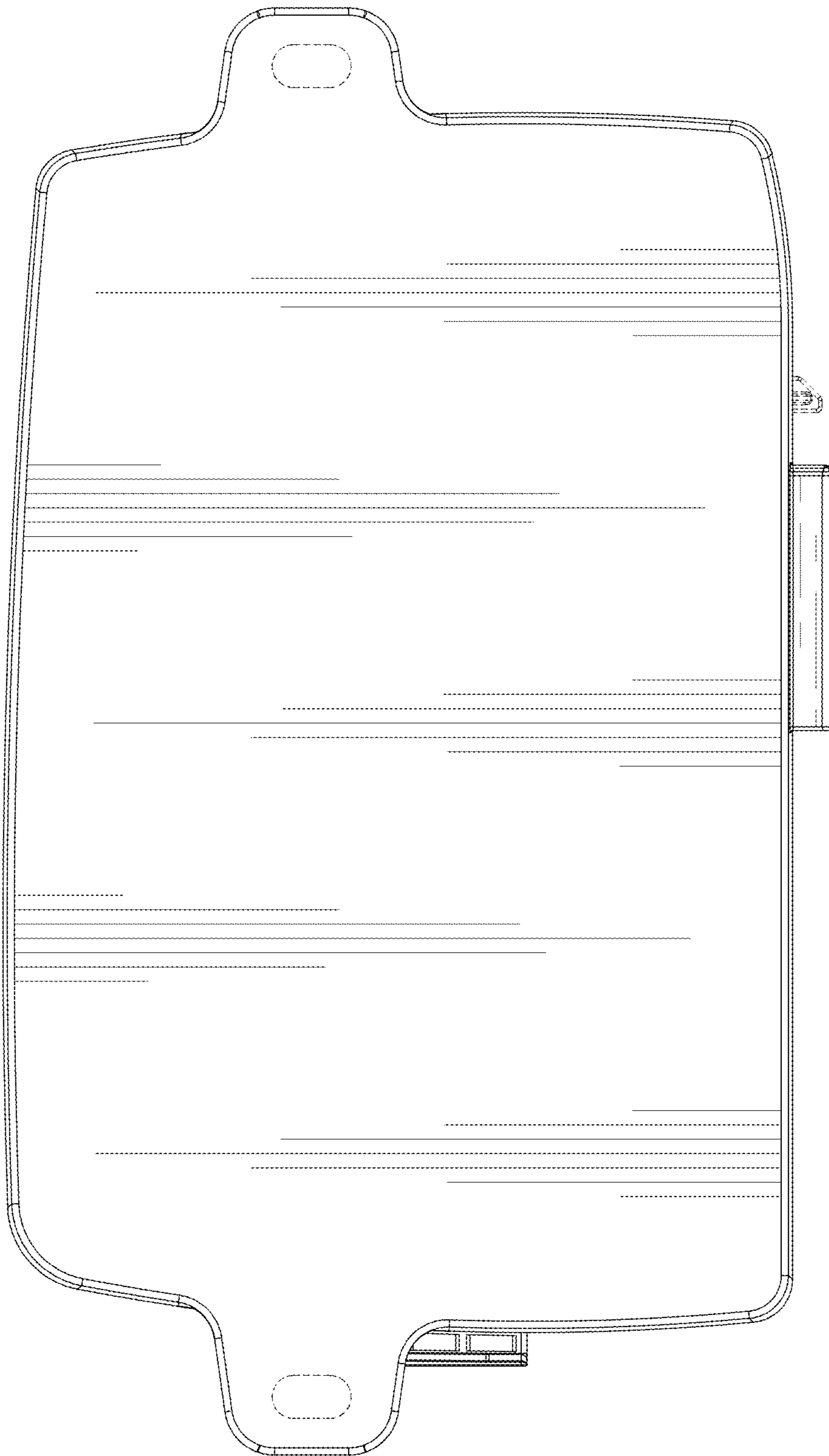


FIG.3

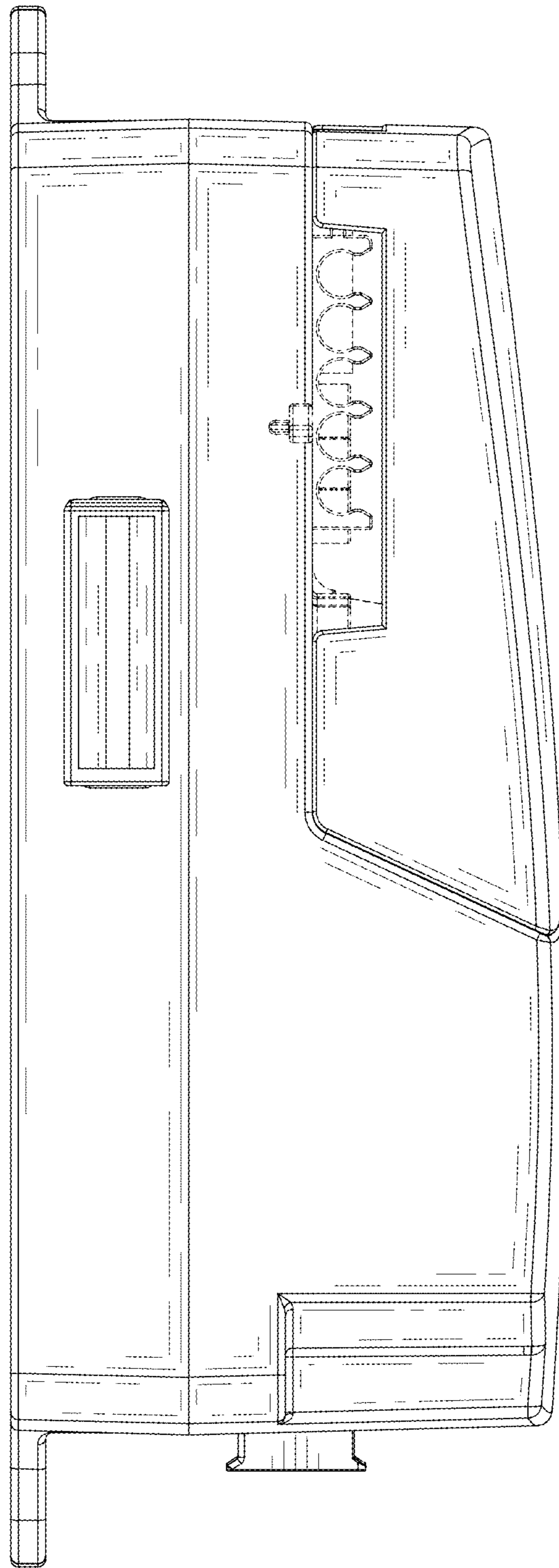


FIG.4

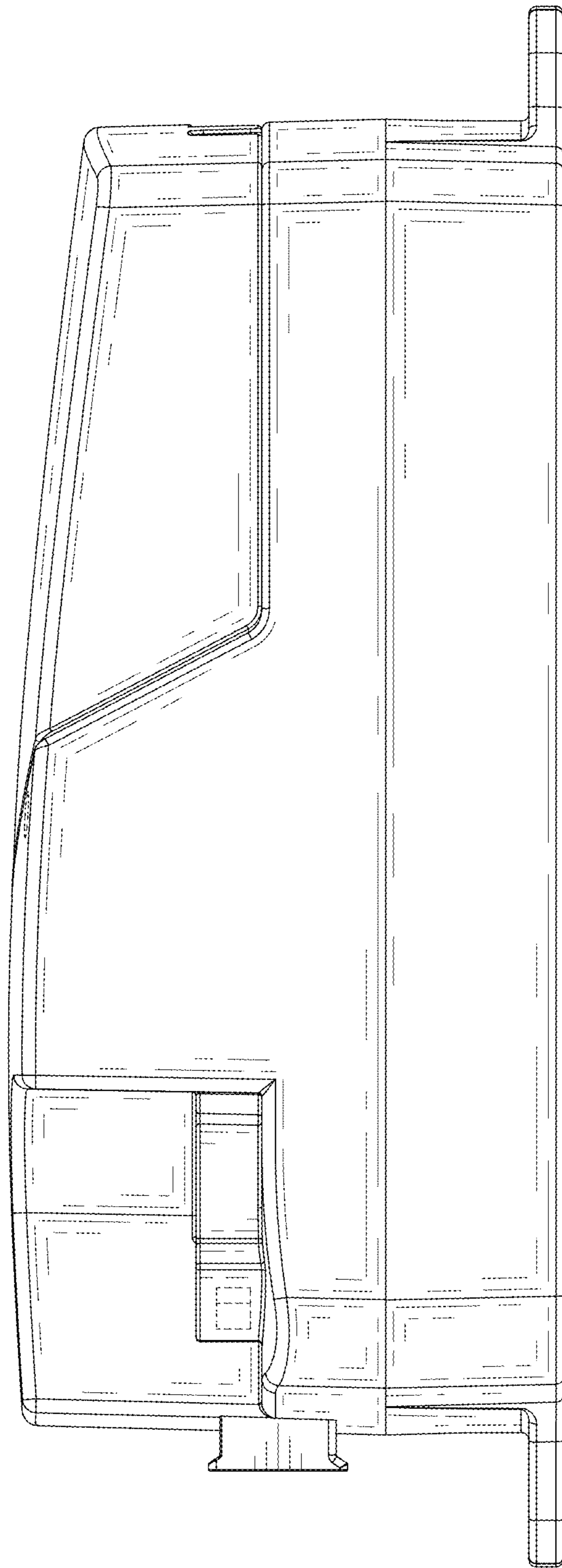


FIG.5

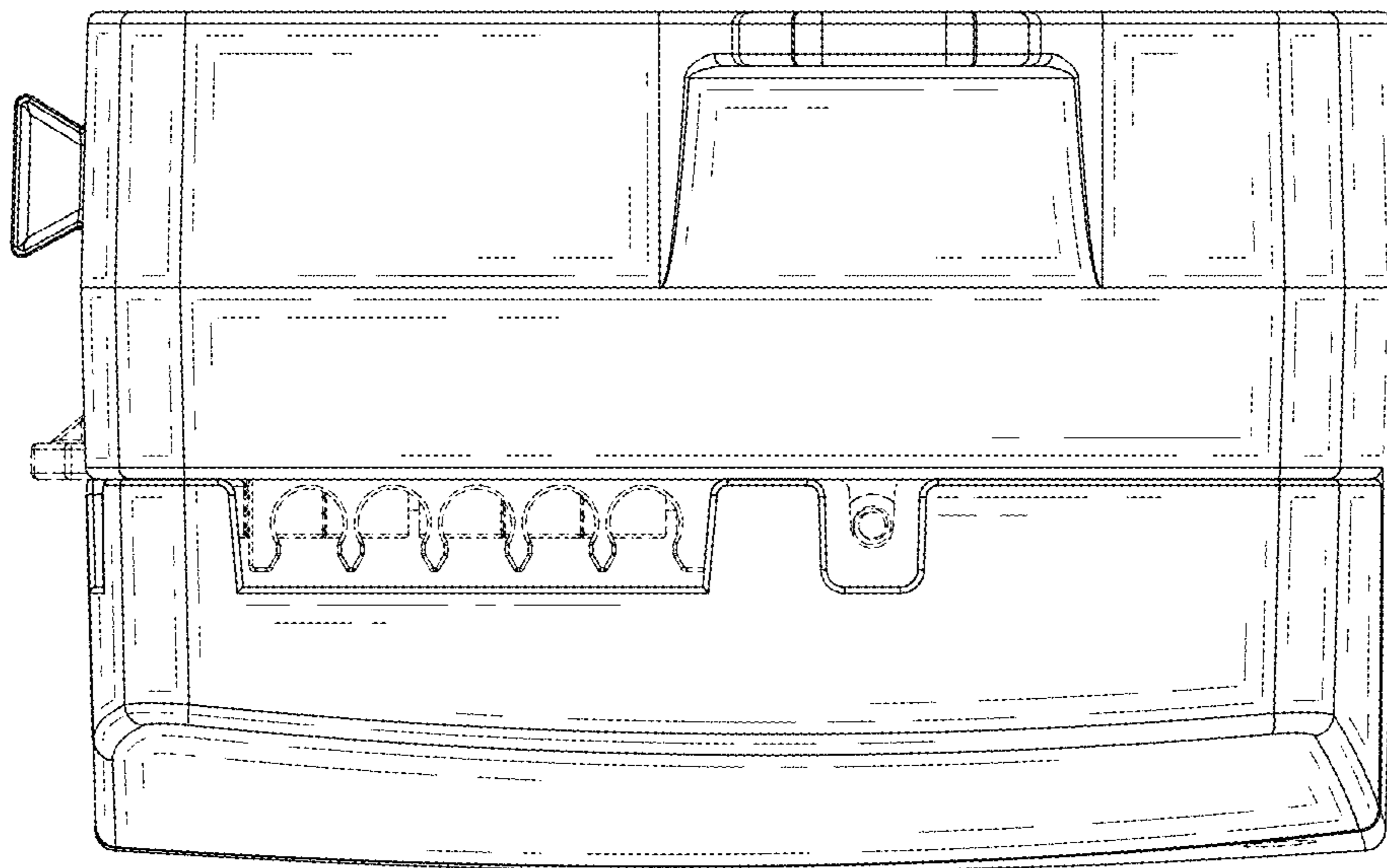


FIG.6

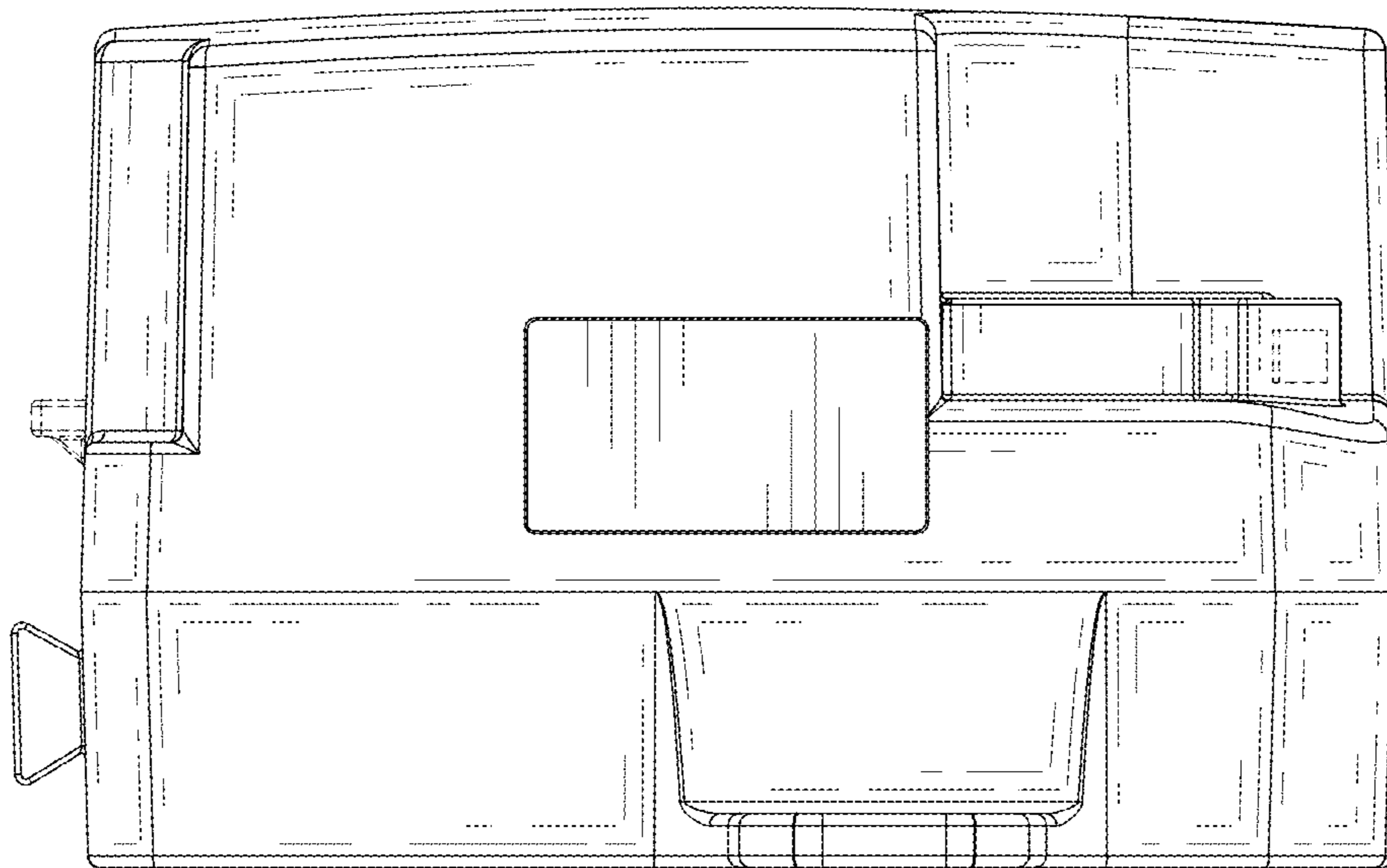


FIG.7



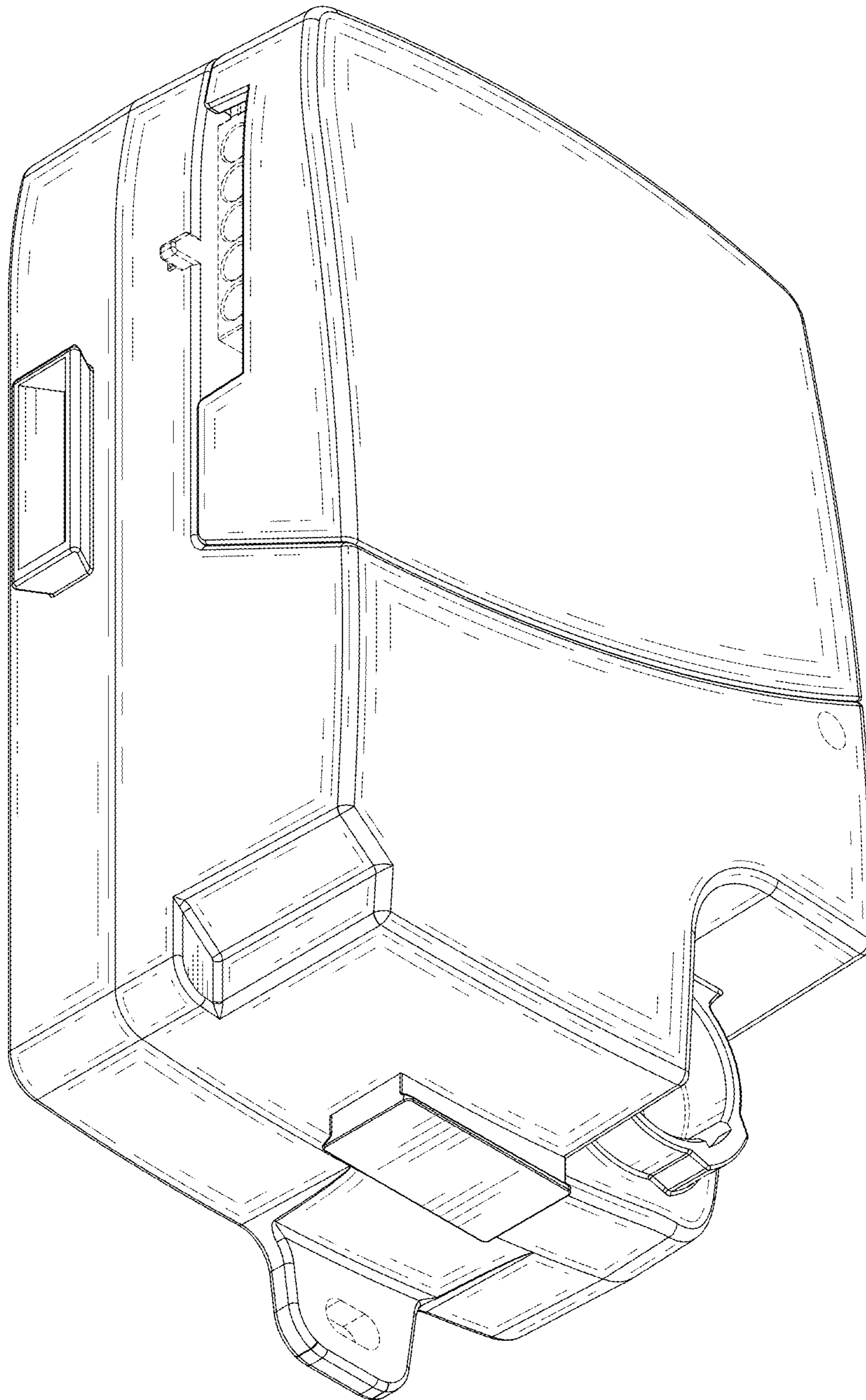


FIG.8