



US00D936020S

(12) **United States Design Patent** (10) **Patent No.:** **US D936,020 S**
Duc (45) **Date of Patent:** **** Nov. 16, 2021**

(54) **WALL ADAPTER**

(71) Applicant: **DESIGN POOL LIMITED**, Wanchai (HK)
(72) Inventor: **Igor Raymond Antoine Duc**, Sai Kung (HK)
(73) Assignee: **DESIGN POOL LIMITED**, Wanchai (HK)

(**) Term: **15 Years**
(21) Appl. No.: **29/711,276**
(22) Filed: **Oct. 30, 2019**

(30) **Foreign Application Priority Data**

Apr. 30, 2019 (HK) 1913558.9M

(51) **LOC (13) Cl.** **13-02**

(52) **U.S. Cl.**
USPC **D13/137.2; D13/110; D13/138.1**

(58) **Field of Classification Search**
USPC D13/137.1–137.4, 138.1, 138.2, D13/139.1–139.8, 146, 147, 154, 158, D13/171, 173, 174, 184, 107, 108, 110; D14/432, 433

CPC .. H01R 13/639; H01R 13/6392; H01R 13/64; H01R 13/642; H01R 13/648; H01R 13/652; H01R 13/66; H01R 13/6666; H01R 13/6683; H01R 13/68; H01R 13/713; H01R 24/20; H01R 24/22; H01R 24/28; H01R 24/30; H01R 2103/00; H01R 25/00; H01R 25/003; H01R 25/006; H01R 25/164; H01R 25/165; H01R 25/166; H01R 25/167; H01R 31/06; H01H 2207/22; H05K 5/02; H05K 5/0247

See application file for complete search history.

(56) **References Cited**

U.S. PATENT DOCUMENTS

D292,700 S * 11/1987 Rauch D13/137.1
D378,291 S * 3/1997 Hahn D13/138.2
5,613,863 A * 3/1997 Klaus H01R 27/00 439/131

(Continued)

FOREIGN PATENT DOCUMENTS

CN 304029607 * 2/2017
CN 305014263 * 4/2018
CN 306314676 * 2/2021
GB 6047918 * 11/2018

OTHER PUBLICATIONS

65W PIQ 3.0 Type-C Charger by Anker. Anker.com. Oldest review date: Jul. 13, 2020. Retrieval date: Mar. 4, 2021. Retrieved from internet: <https://www.anker.com/products/variant/65w-piq-30-typec-charger/A2713021> (Year: 2020).*

Powerport III 3-Port 65W Charger by Anker. Anker.com. Oldest review date: Jan. 24, 2020. Retrieval date: Mar. 4, 2021. Retrieved from internet: <https://www.anker.com/products/variant/powerport-iii-3-port-65w-charger/A2033121> (Year: 2020).*

(Continued)

Primary Examiner — Lilyana Bekic

Assistant Examiner — Lee D. Starr

(74) *Attorney, Agent, or Firm* — JCIP; Joseph G. Chu; Jeremy I. Maynard

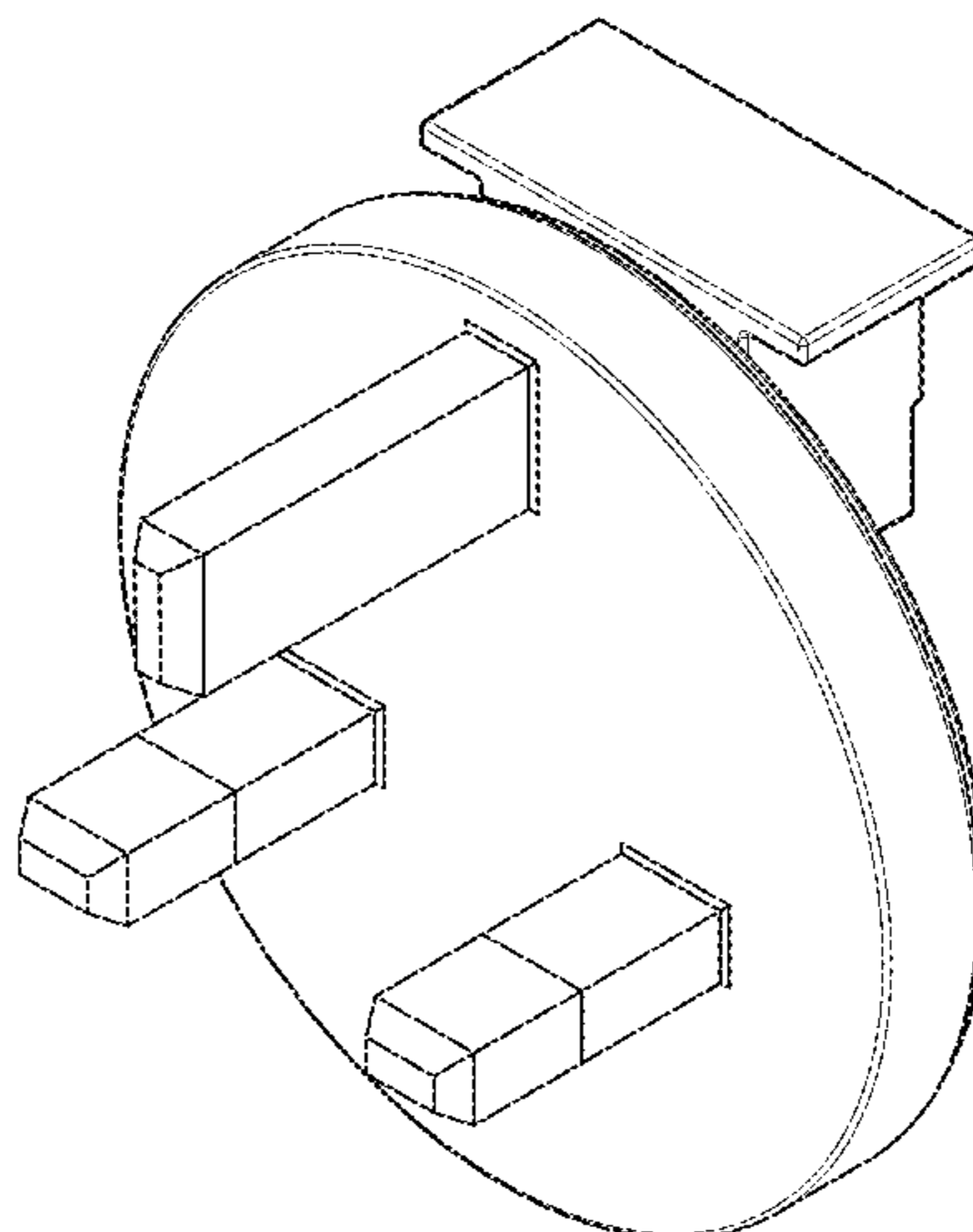
(57) **CLAIM**

The ornamental design for a wall adapter, as shown and described.

DESCRIPTION

FIG. 1 is a front view of a wall adapter; FIG. 2 is a back view of the wall adapter; FIG. 3 is a left view of the wall adapter; FIG. 4 is a right view of the wall adapter; FIG. 5 is a top plan view of the wall adapter; FIG. 6 is a bottom view of the wall adapter; and, FIG. 7 is a perspective view of the wall adapter. The broken lines in the drawings depict portions of the wall adapter that form no part of the claimed design.

1 Claim, 7 Drawing Sheets



(56)

References Cited

U.S. PATENT DOCUMENTS

6,227,888 B1 * 5/2001 Hahn H01R 27/00
439/172
D498,462 S * 11/2004 Andre D13/138.2
6,939,150 B1 * 9/2005 Lanni H01R 35/04
439/131
7,232,322 B1 * 6/2007 Yen H01R 13/502
439/170
7,547,219 B2 * 6/2009 Zhuge H01R 13/4534
439/173
D617,277 S * 6/2010 Fahrendorff D13/138.1
7,794,251 B2 * 9/2010 Wen H01R 13/514
439/173
D647,476 S * 10/2011 Ciou D13/110
8,033,847 B1 * 10/2011 Chen H01R 24/30
439/172
8,226,424 B1 * 7/2012 Wang H01R 31/06
439/172
D675,159 S * 1/2013 Smith D13/110
8,708,722 B1 * 4/2014 Walliser H01R 13/6675
439/172
D705,733 S * 5/2014 Zaslavsky D13/137.2
8,944,845 B2 * 2/2015 Yu H02J 7/0042
439/518
9,166,351 B1 * 10/2015 Wang H01R 24/66
10,601,194 B1 * 3/2020 Chien H01R 31/02
2005/0074996 A1 * 4/2005 Wong H01R 13/652
439/176
2007/0032109 A1 * 2/2007 Hung H01R 13/6675
439/172

2009/0305565 A1 * 12/2009 Stiehl H01R 24/68
439/620.21
2010/0062652 A1 * 3/2010 Liu H01R 31/06
439/660
2010/0151737 A1 * 6/2010 Hood, III G06F 1/26
439/628
2010/0190364 A1 * 7/2010 Niidome H01R 31/06
439/131
2012/0021615 A1 * 1/2012 Wen H01R 13/625
439/13
2012/0142208 A1 * 6/2012 Peng H01R 31/06
439/345
2014/0073200 A1 * 3/2014 Chou H01R 13/502
439/692
2014/0145689 A1 * 5/2014 Carlucci H01R 31/065
323/237
2017/0244206 A1 * 8/2017 Jiang H01R 13/5219
2019/0081445 A1 * 3/2019 Kuhn H01R 13/24

OTHER PUBLICATIONS

International Power Adapter by POWRUI. Amazon. Oldest review date: Apr. 17, 2019. Retrieval date: Mar. 4, 2021. Retrieved from internet: <https://www.amazon.com/dp/B07PTYW6RP/> (Year: 2019).*
34W 4-Port USB Wall Charger by Syncwire. Amazon. Oldest review date: Jul. 20, 2016. Retrieval date: Mar. 4, 2021. Retrieved from internet: <https://www.amazon.com/Syncwire-Charger-Adapter-Samsung-Android/dp/B011KPRE1G> (Year: 2016).*

* cited by examiner

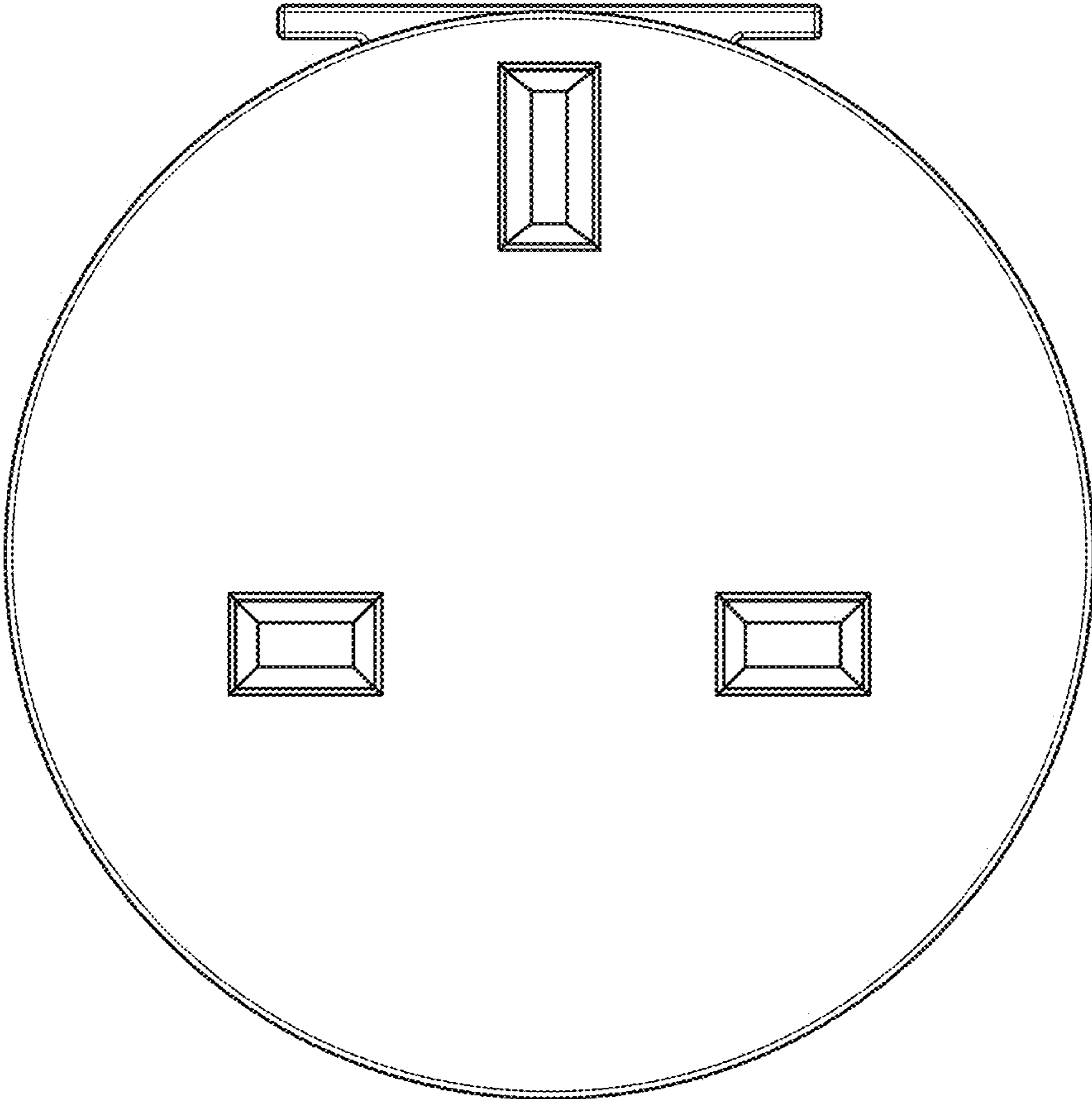


FIG. 1

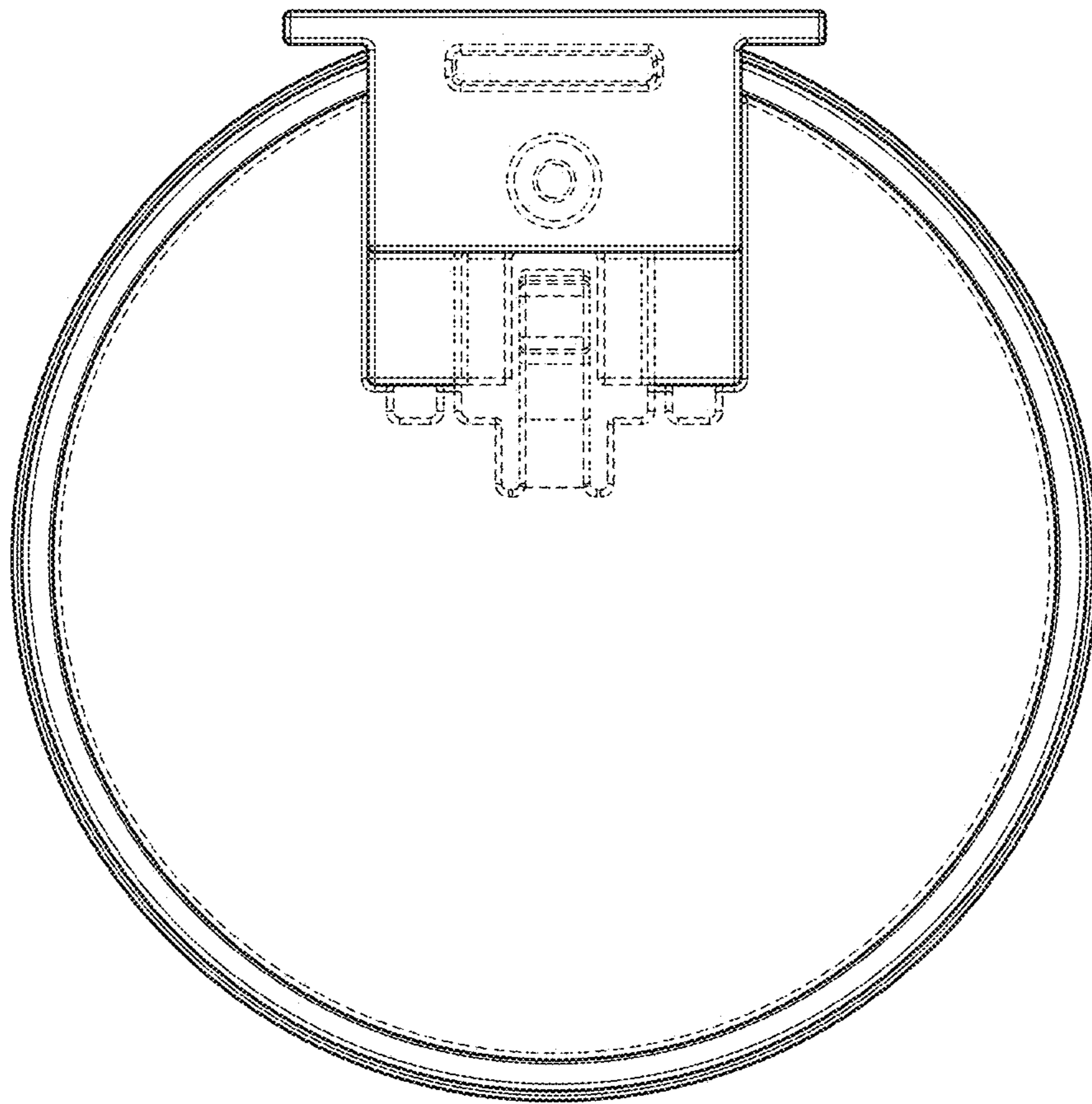


FIG. 2

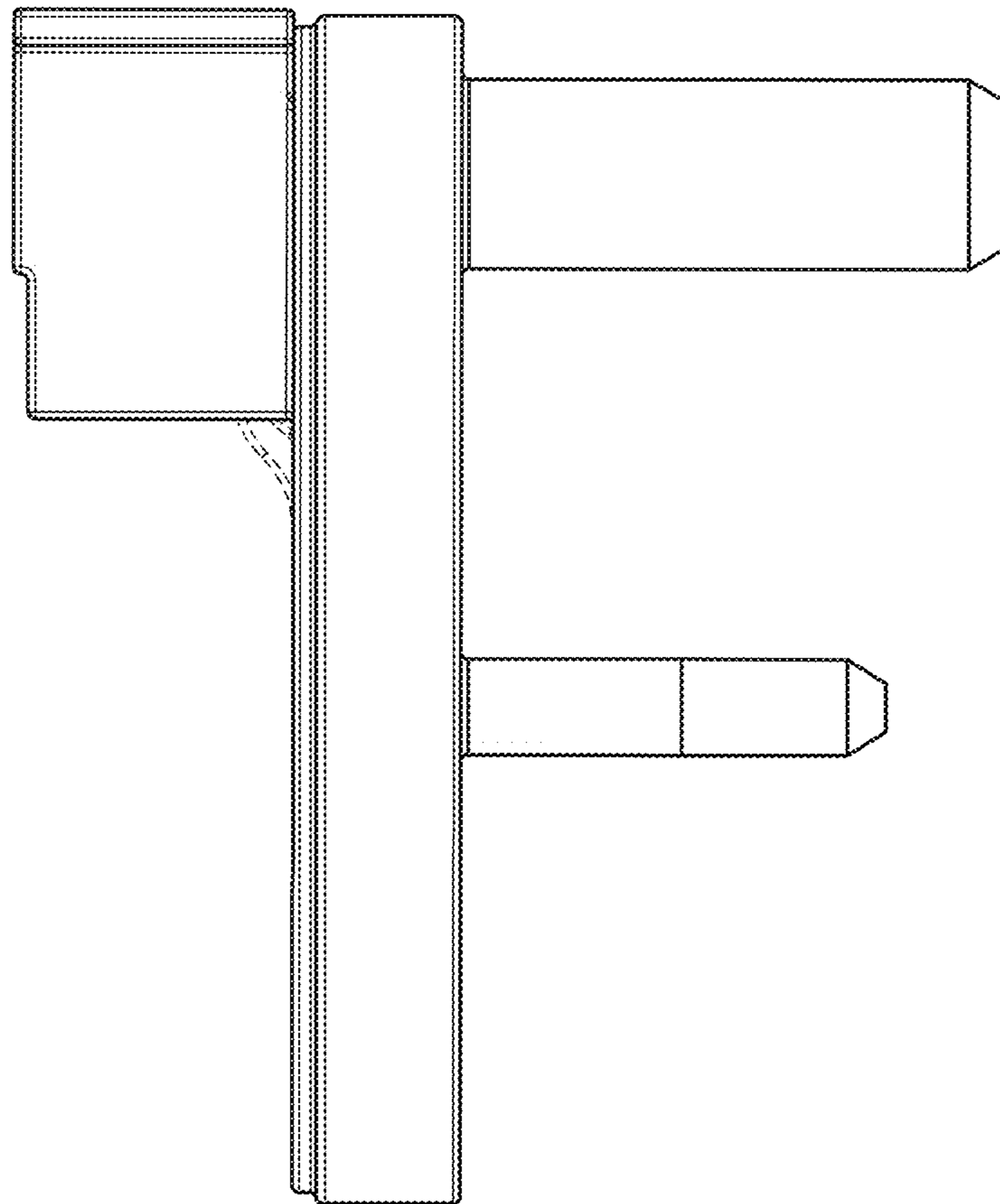


FIG. 3

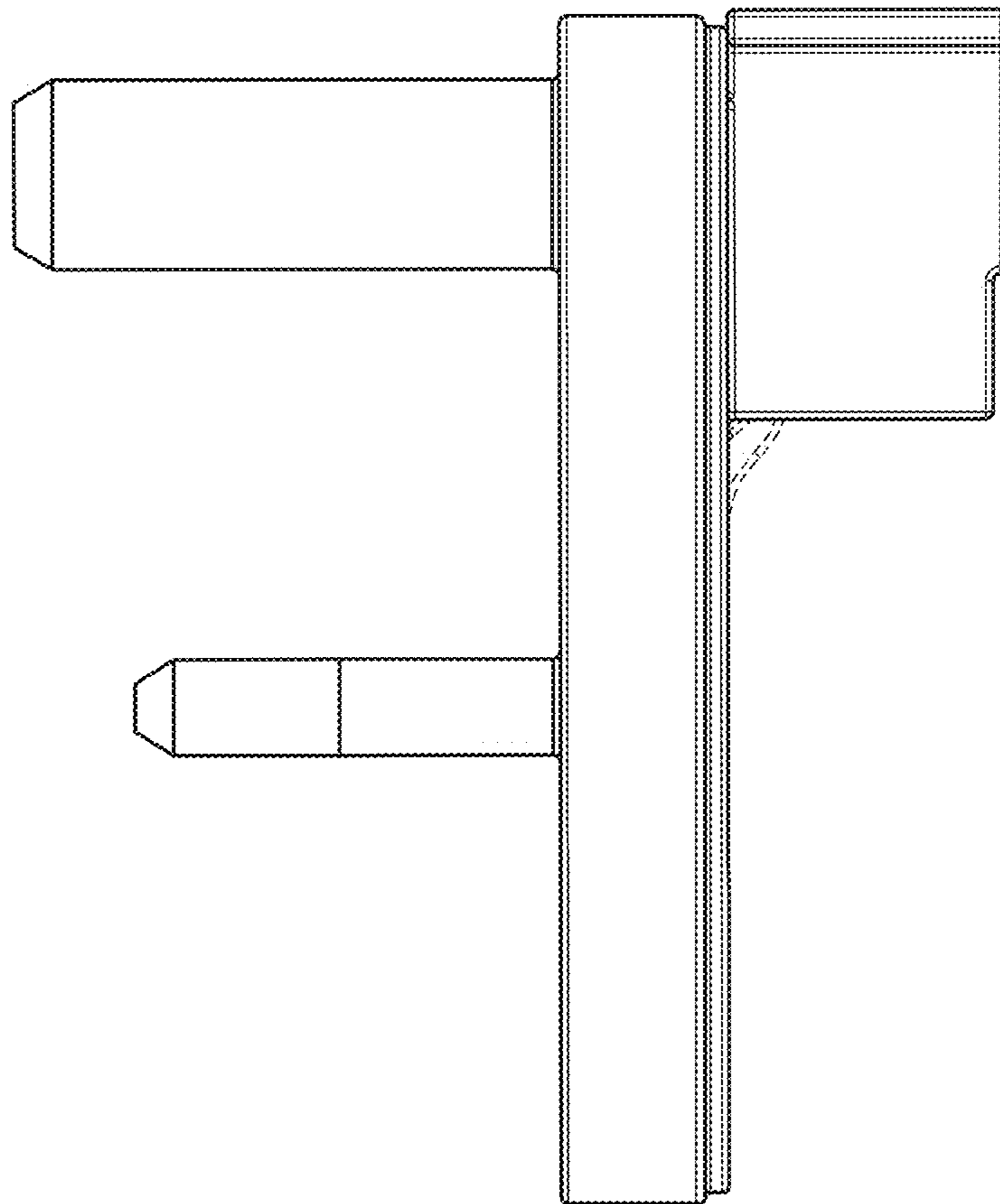


FIG. 4

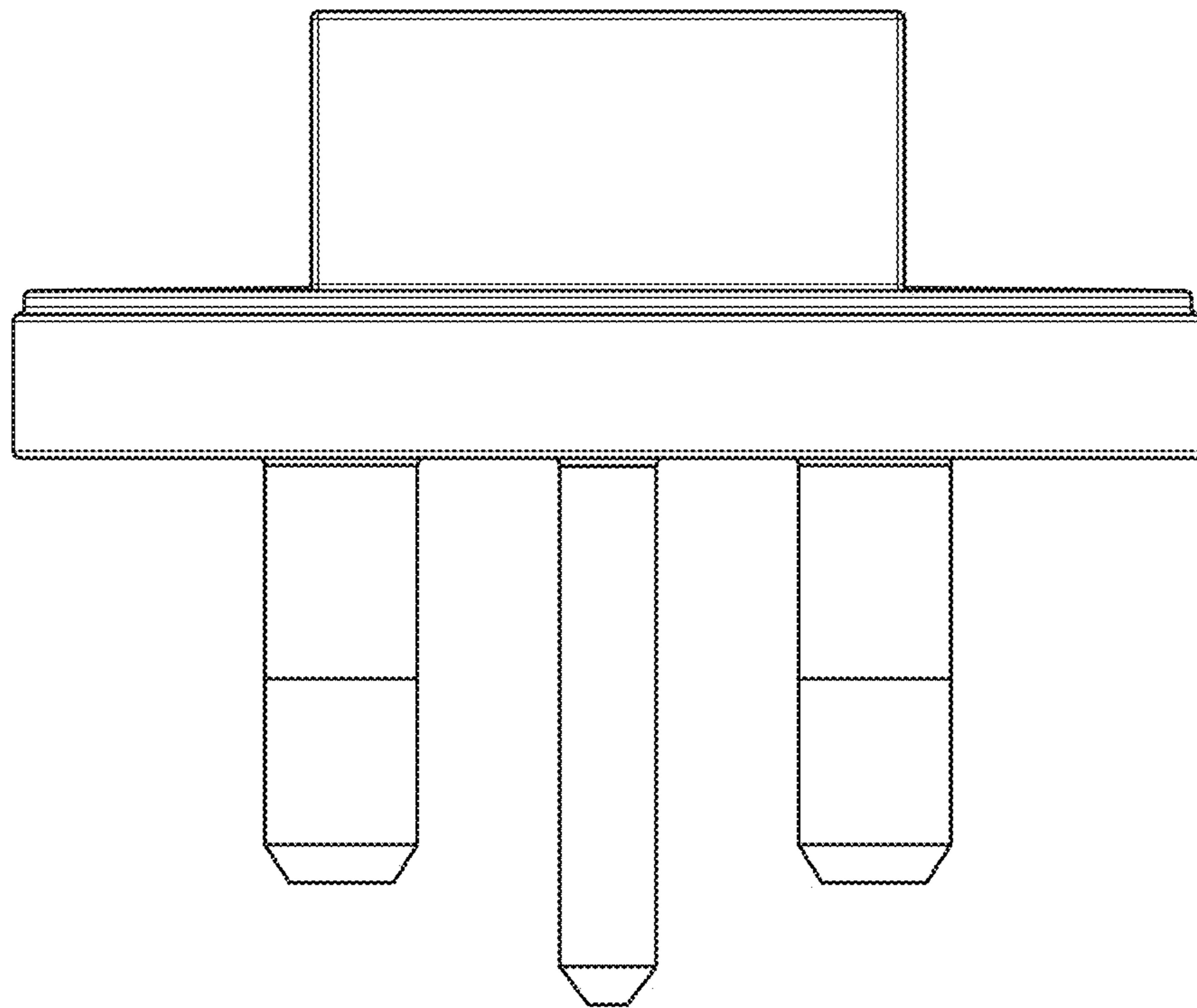


FIG. 5

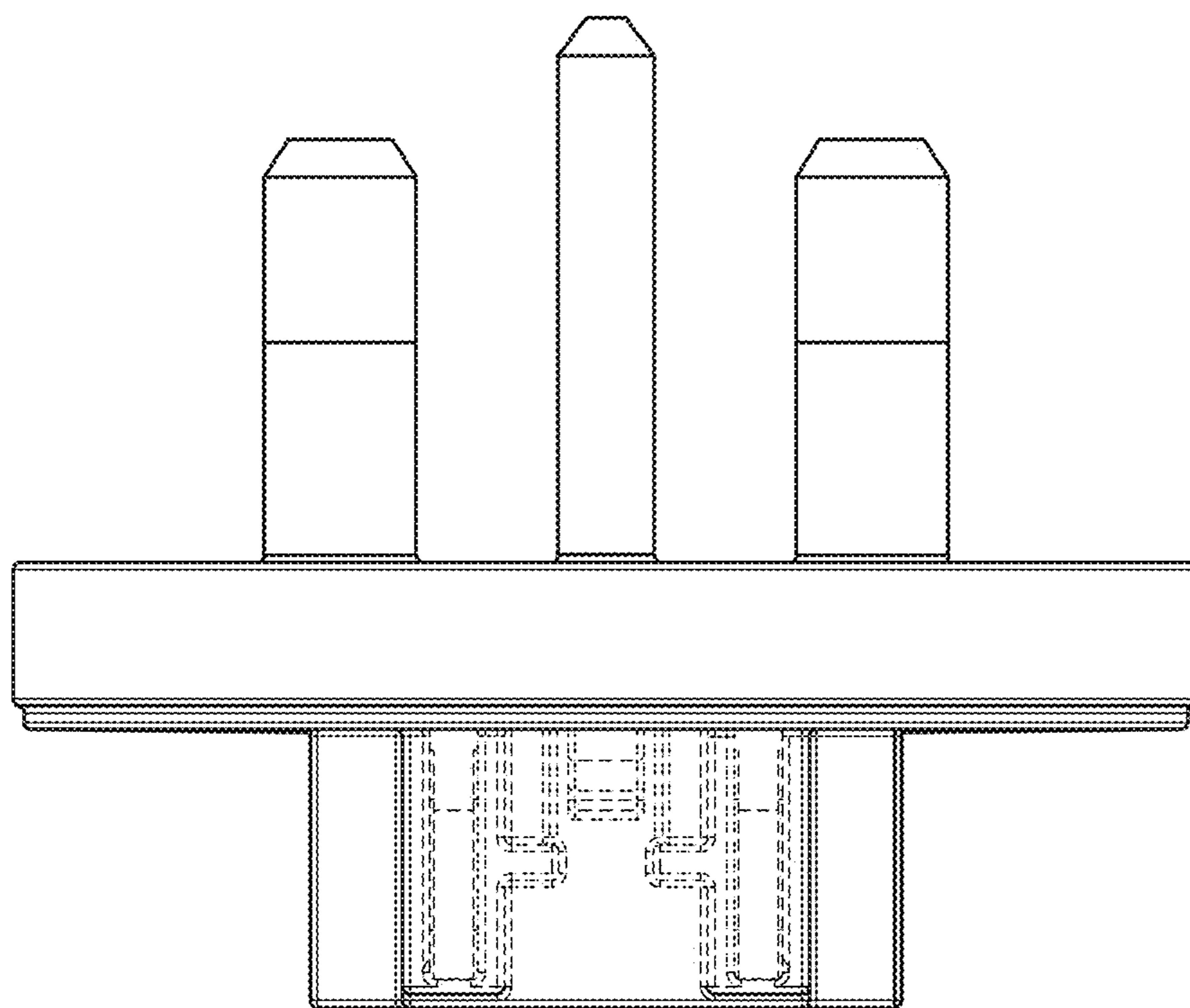


FIG. 6

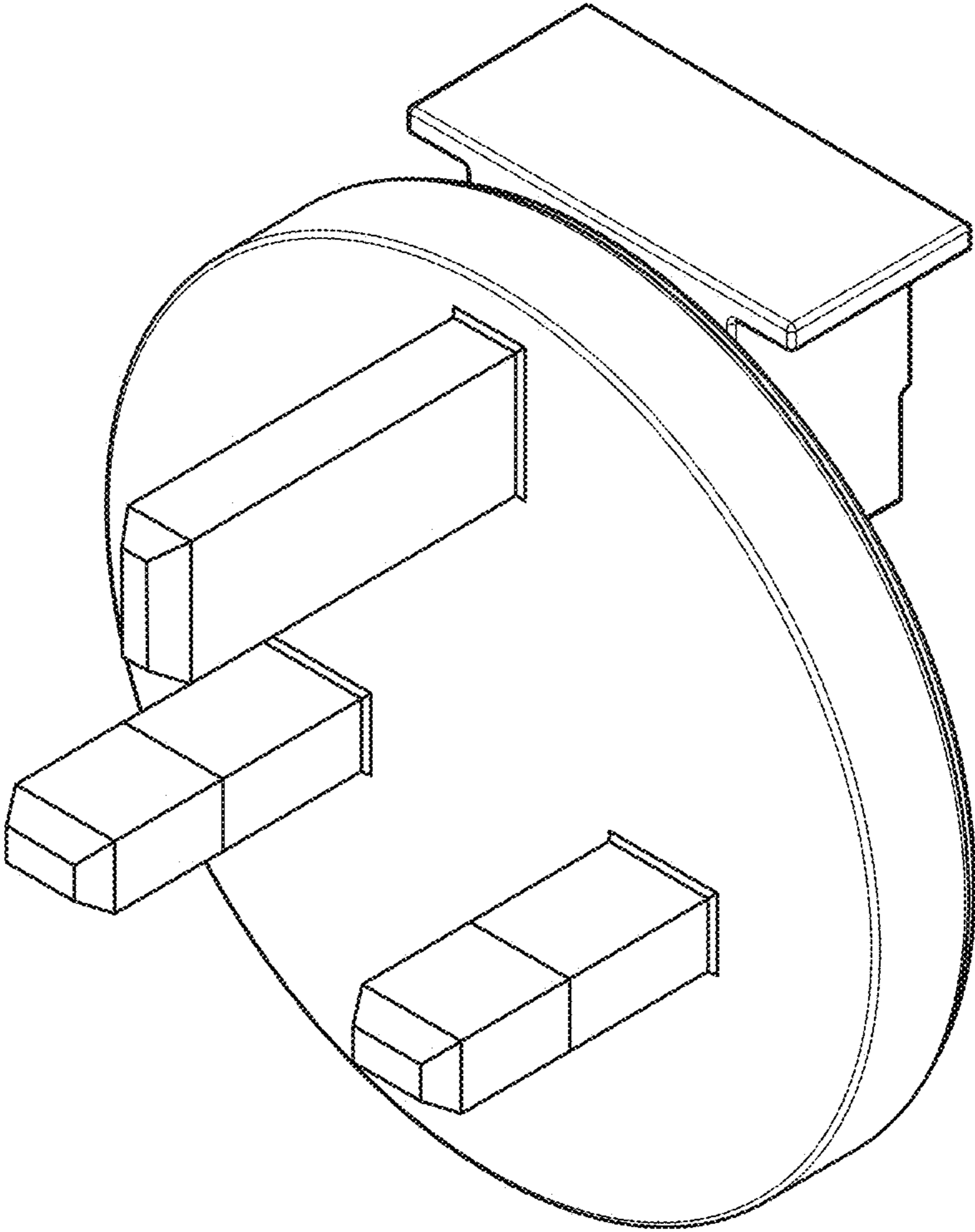


FIG. 7