



US00D936019S

(12) **United States Design Patent** (10) **Patent No.:** **US D936,019 S**  
**Duc** (45) **Date of Patent:** **\*\* Nov. 16, 2021**

(54) **WALL ADAPTER**  
(71) Applicant: **DESIGN POOL LIMITED**, Wanchai (HK)  
(72) Inventor: **Igor Raymond Antoine Duc**, Sai Kung (HK)  
(73) Assignee: **DESIGN POOL LIMITED**, Wanchai (HK)  
(\*\*) Term: **15 Years**  
(21) Appl. No.: **29/711,275**  
(22) Filed: **Oct. 30, 2019**  
(30) **Foreign Application Priority Data**  
Apr. 30, 2019 (HK) ..... 1913558.9M  
(51) **LOC (13) Cl.** ..... **13-02**  
(52) **U.S. Cl.**  
USPC ..... **D13/137.2; D13/110; D13/138.1**  
(58) **Field of Classification Search**  
USPC ..... D13/137.1-137.4, 138.1, 138.2, D13/139.1-139.8, 146, 147, 154, 158, D13/171, 173, 174, 184, 107, 108, 110; D14/432, 433  
CPC .. H01R 13/639; H01R 13/6392; H01R 13/64; H01R 13/642; H01R 13/648; H01R 13/652; H01R 13/66; H01R 13/6666; H01R 13/6683; H01R 13/68; H01R 13/713; H01R 24/20; H01R 24/22; H01R 24/28; H01R 24/30; H01R 2103/00; H01R 25/00; H01R 25/003; H01R 25/006; H01R 25/164; H01R 25/165; H01R 25/166; H01R 25/167; H01R 31/06; H01H 2207/22; H05K 5/02; H05K 5/0247

See application file for complete search history.

(56) **References Cited**  
U.S. PATENT DOCUMENTS  
5,613,863 A \* 3/1997 Klaus ..... H01R 27/00 439/131  
D381,314 S \* 7/1997 Hahn ..... D13/133  
(Continued)  
FOREIGN PATENT DOCUMENTS  
CN 303895754 \* 10/2016  
CN 304029607 \* 2/2017  
(Continued)

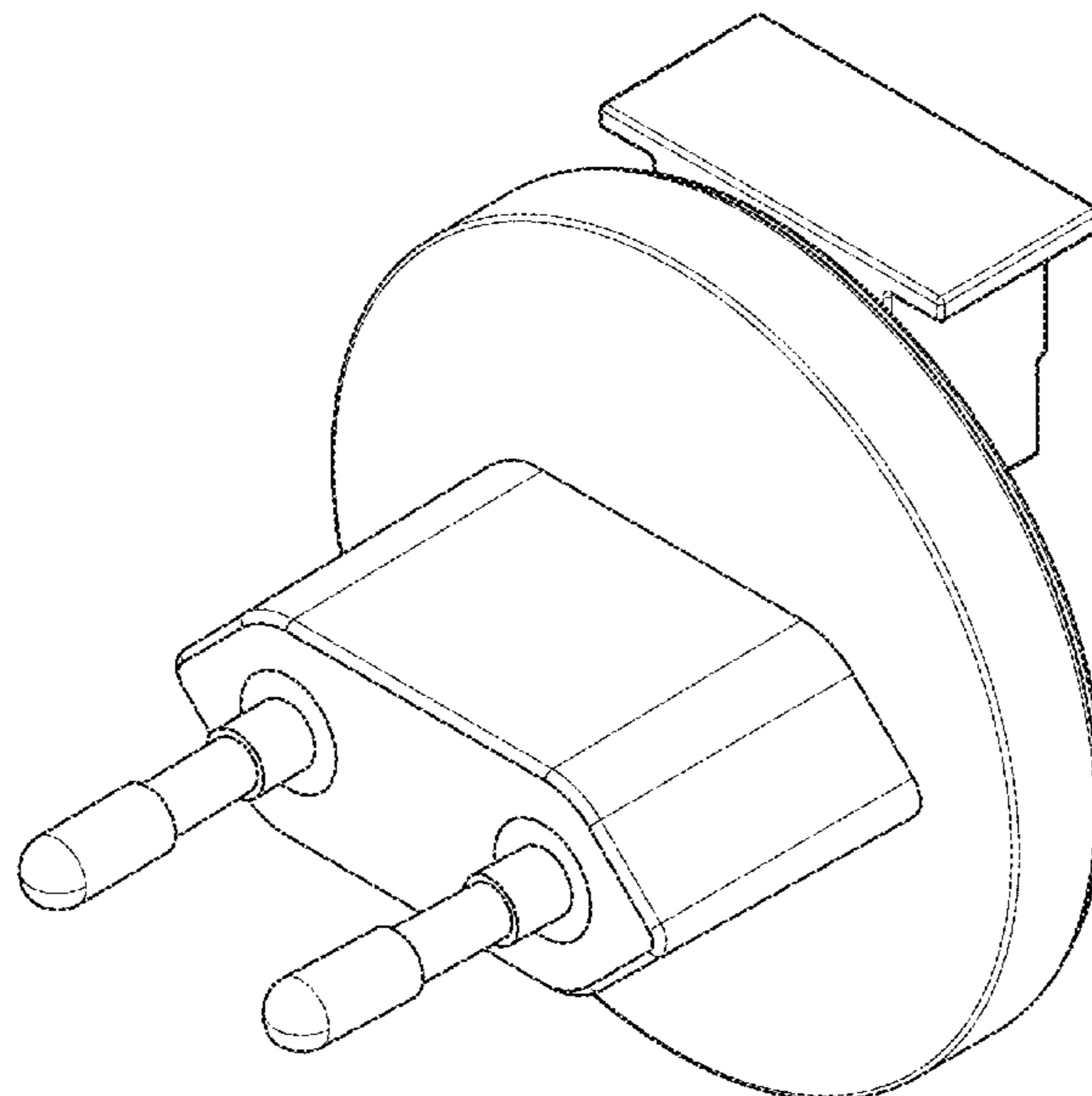
**OTHER PUBLICATIONS**  
65W PIQ 3.0 Type-C Charger by Anker. Anker.com. Oldest review date: Jul. 13, 2020. Retrieval date: Mar. 4, 2021. Retrieved from internet: <https://www.anker.com/products/variant/65w-piq-30-typec-charger/A2713021> (Year: 2020).\*  
(Continued)

*Primary Examiner* — Lilyana Bekic  
*Assistant Examiner* — Lee D. Starr  
(74) *Attorney, Agent, or Firm* — JCIP; Joseph G. Chu; Jeremy I. Maynard

(57) **CLAIM**  
The ornamental design for a wall adapter, as shown and described.

**DESCRIPTION**  
FIG. 1 is a front view of a wall adapter;  
FIG. 2 is a back view of the wall adapter;  
FIG. 3 is a left view of the wall adapter;  
FIG. 4 is a right view of the wall adapter;  
FIG. 5 is a top plan view of the wall adapter;  
FIG. 6 is a bottom view of the wall adapter; and,  
FIG. 7 is a perspective view of the wall adapter.  
The broken lines in the drawings depict portions of the wall adapter that form no part of the claimed design.

**1 Claim, 7 Drawing Sheets**



(56)

References Cited

U.S. PATENT DOCUMENTS

6,227,888 B1 \* 5/2001 Hahn ..... H01R 27/00  
439/172  
6,320,353 B1 \* 11/2001 Chiu ..... H01R 31/06  
320/107  
6,592,386 B2 \* 7/2003 Teng ..... H01R 13/62  
439/172  
7,300,297 B1 \* 11/2007 Wang ..... H01R 13/2442  
439/173  
7,547,219 B2 \* 6/2009 Zhuge ..... H01R 13/4534  
439/173  
D617,276 S \* 6/2010 Fahrendorff ..... D13/138.1  
D621,781 S \* 8/2010 Chang ..... D13/137.2  
7,794,251 B2 \* 9/2010 Wen ..... H01R 13/514  
439/173  
D647,476 S \* 10/2011 Ciou ..... D13/110  
8,226,424 B1 \* 7/2012 Wang ..... H01R 31/06  
439/172  
8,708,722 B1 \* 4/2014 Walliser ..... H01R 13/6675  
439/172  
8,944,857 B2 \* 2/2015 Mariano ..... H01R 27/00  
439/695  
9,166,351 B1 \* 10/2015 Wang ..... H01R 24/66  
10,297,965 B1 \* 5/2019 Yang ..... H01R 31/06  
10,601,194 B1 \* 3/2020 Chien ..... H01R 31/02  
10,840,627 B1 \* 11/2020 Su ..... H01R 13/08  
2002/0127918 A1 \* 9/2002 Kajiwara ..... H01R 31/06  
439/651  
2007/0032109 A1 \* 2/2007 Hung ..... H01R 13/6675  
439/172  
2007/0046257 A1 \* 3/2007 Inoue ..... H01R 31/06  
320/111

2010/0190364 A1 \* 7/2010 Niidome ..... H01R 31/06  
439/131  
2012/0142208 A1 \* 6/2012 Peng ..... H01R 31/06  
439/345  
2014/0199889 A1 \* 7/2014 Huang ..... H01R 31/065  
439/620.22  
2015/0064955 A1 \* 3/2015 Liu ..... H01R 24/68  
439/344  
2017/0244206 A1 \* 8/2017 Jiang ..... H01R 13/5219  
2019/0081445 A1 \* 3/2019 Kuhn ..... H01R 13/24  
2020/0395770 A1 \* 12/2020 Hsu ..... H01R 13/633

FOREIGN PATENT DOCUMENTS

CN 305014263 \* 4/2018  
CN 306314677 \* 2/2021

OTHER PUBLICATIONS

Powerport III 3-Port 65W Charger by Anker. Anker.com. Oldest review date: Jan. 24, 2020. Retrieval date: Mar. 4, 2021. Retrieved from internet: <https://www.anker.com/products/variant/powerport-iii-3-port-65w-charger/A2033121> (Year: 2020).\*

International Power Adapter by POWRUI. Amazon. Oldest review date: Apr. 17, 2019. Retrieval date: Mar. 4, 2021. Retrieved from internet: <https://www.amazon.com/dp/B07PTYW6RP/> (Year: 2019).\*

34W 4-Port USB Wall Charger by Syncwire. Amazon. Oldest review date: Jul. 20, 2016. Retrieval date: Mar. 4, 2021. Retrieved from internet: <https://www.amazon.com/Syncwire-Charger-Adapter-Samsung-Android/dp/B011KPRE1G> (Year: 2016).\*

\* cited by examiner

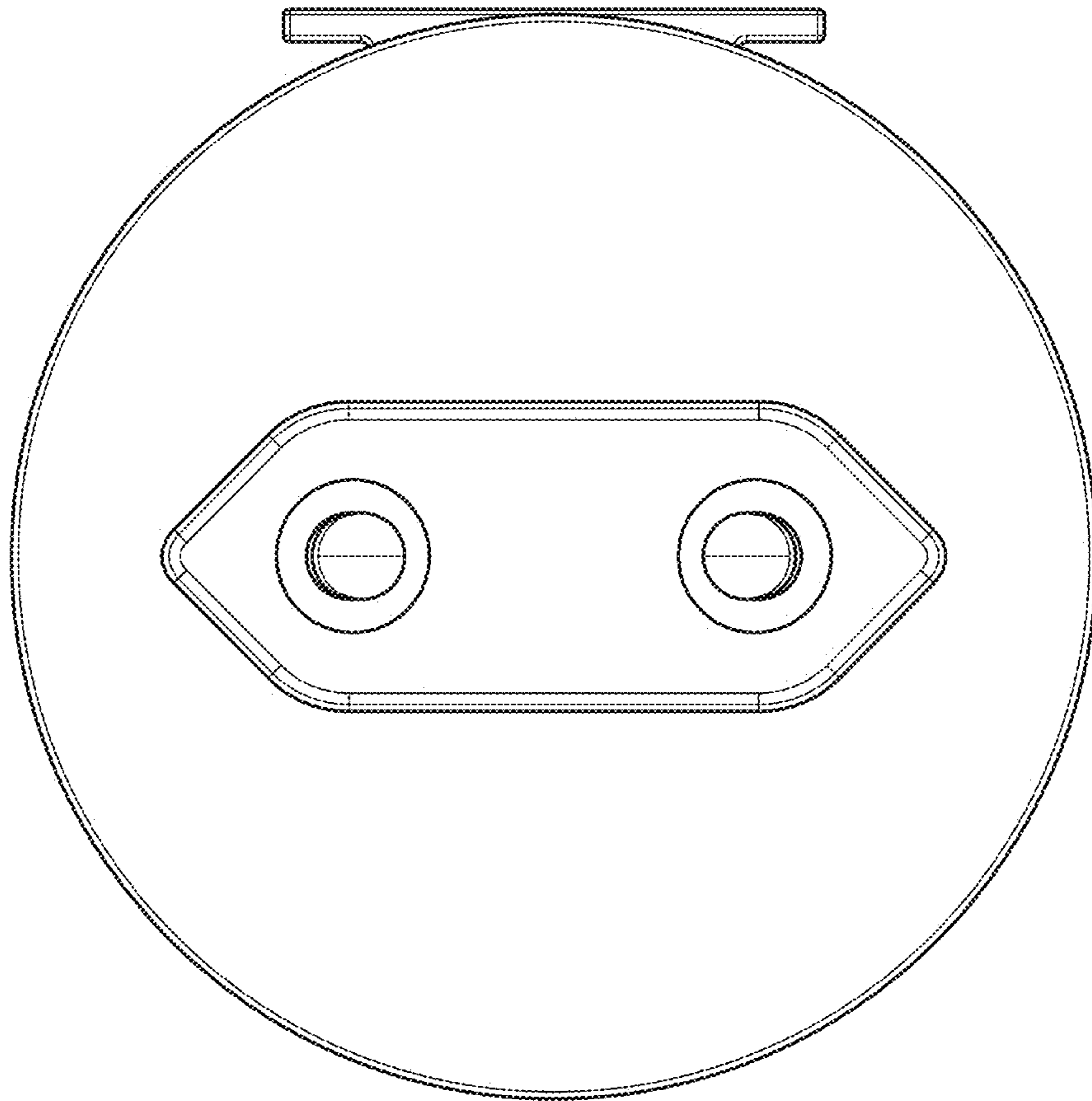


FIG. 1

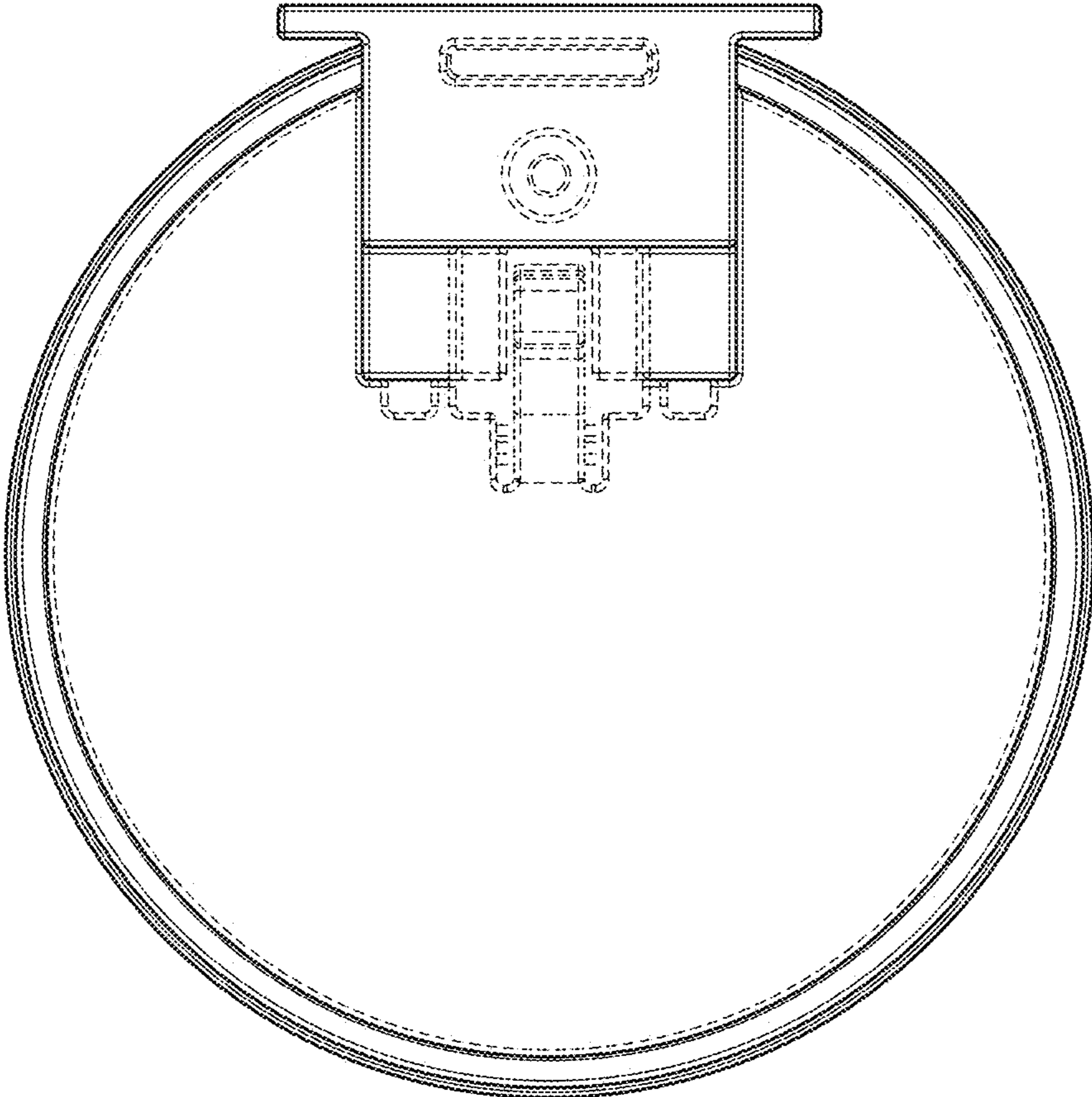


FIG. 2

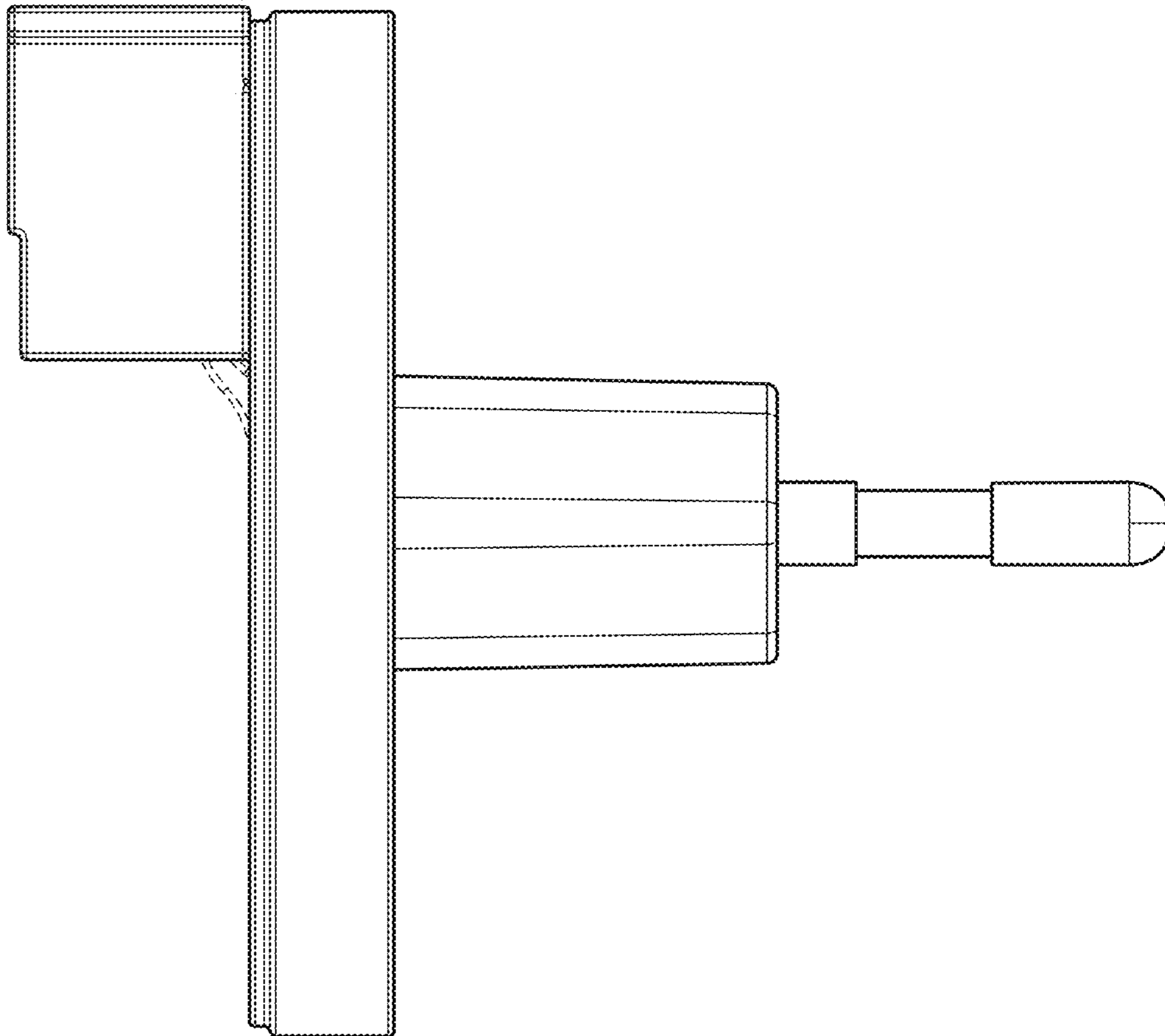


FIG. 3

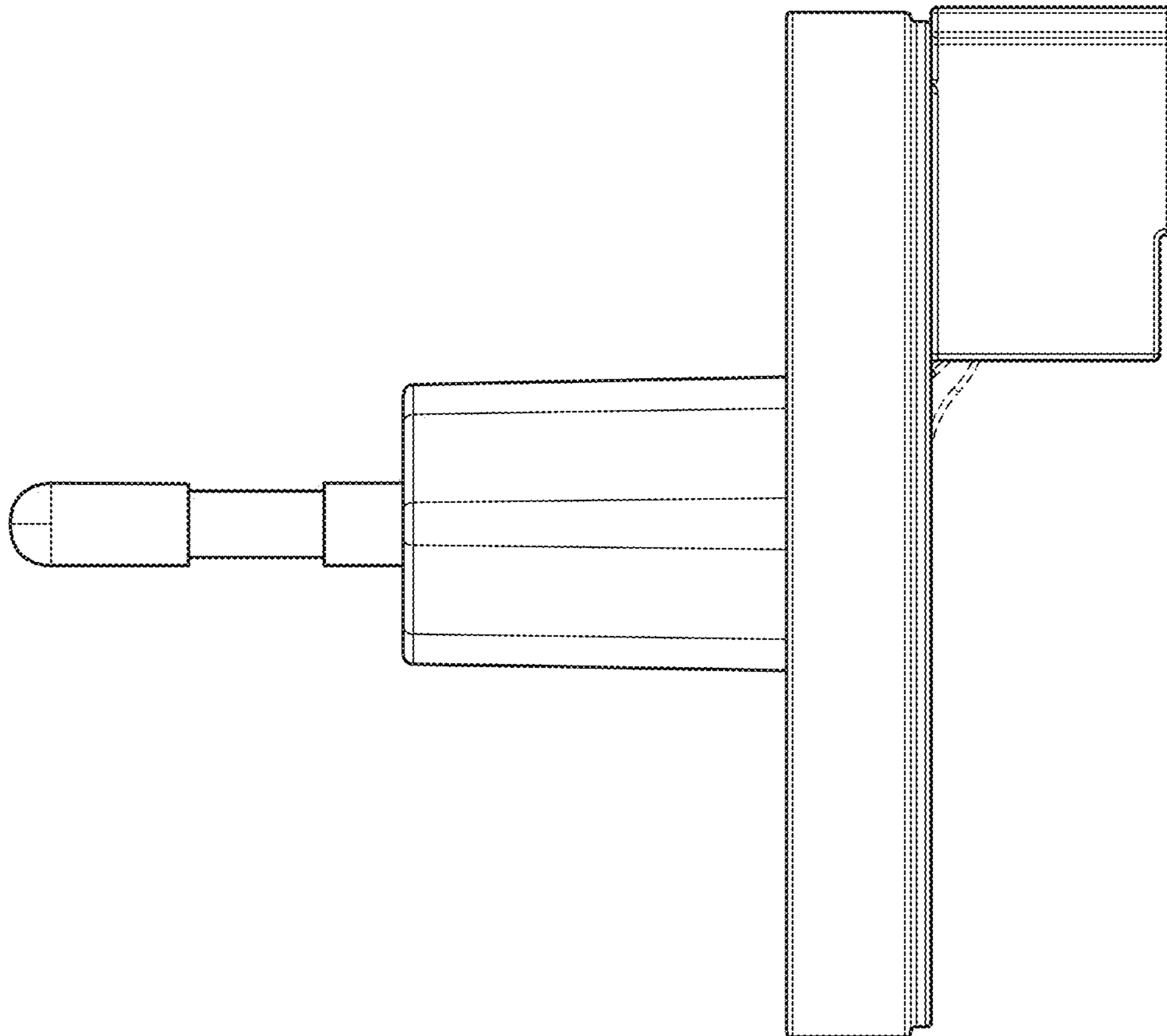


FIG. 4

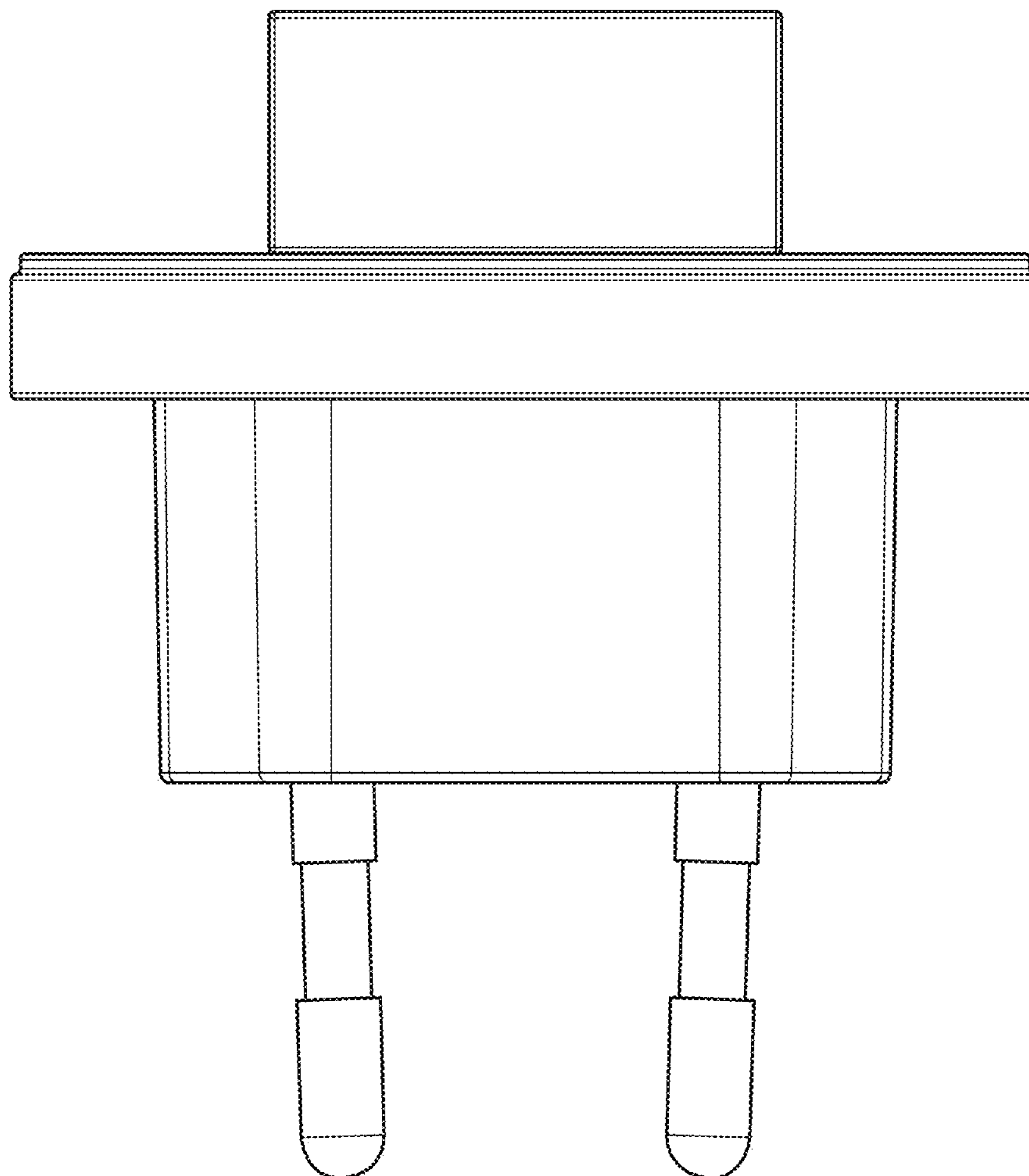


FIG. 5

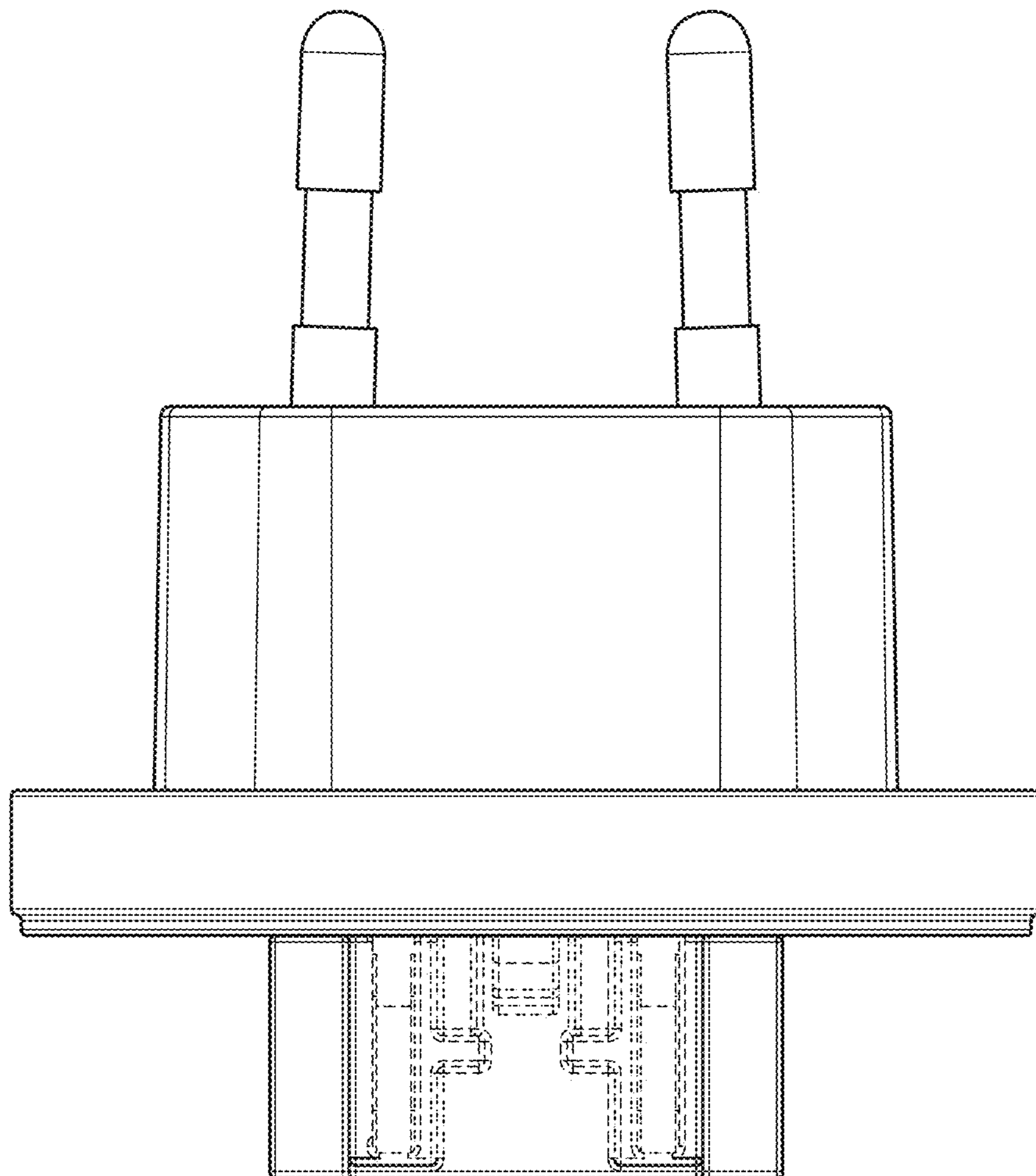


FIG. 6



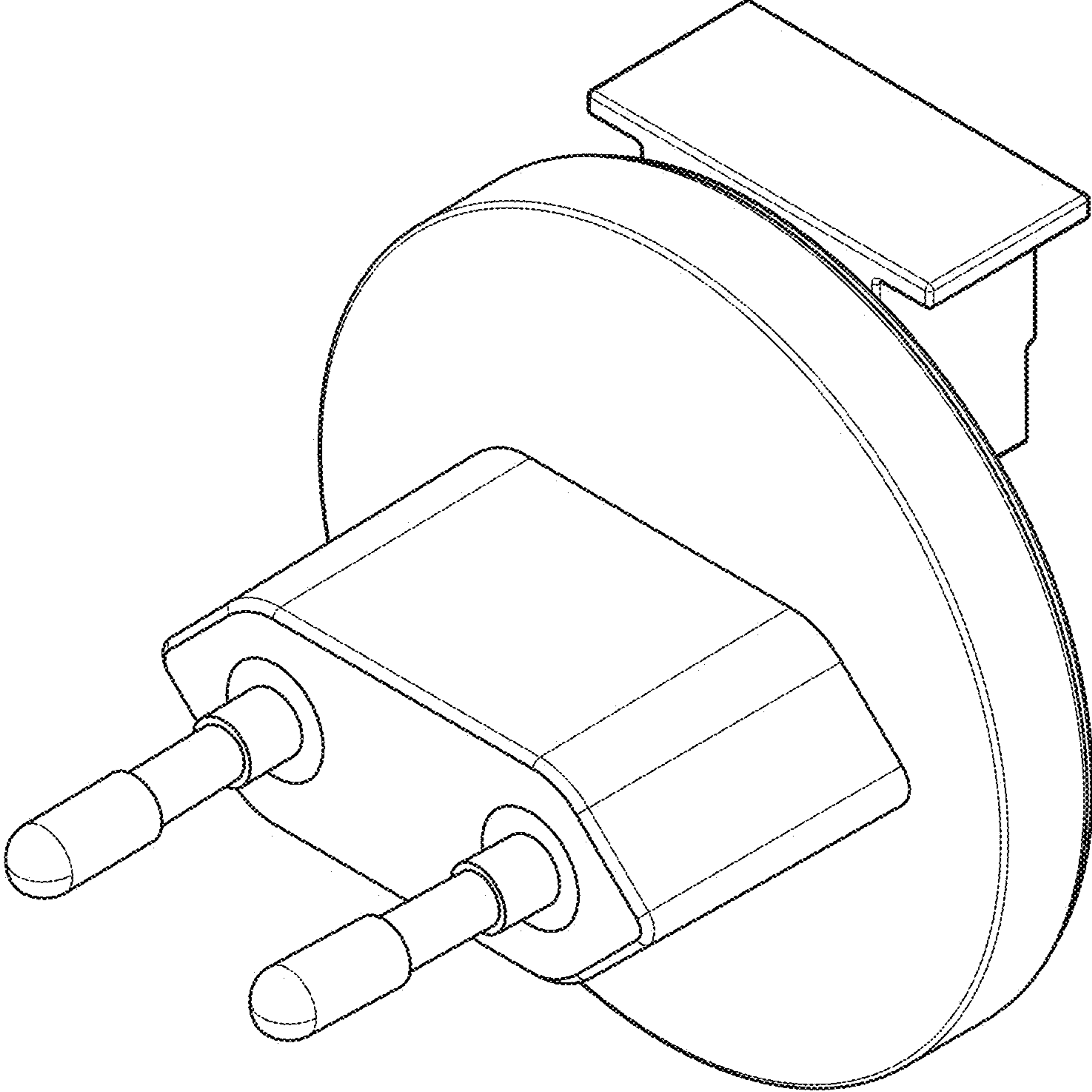


FIG. 7