



US00D936015S

(12) **United States Design Patent**
Lu et al.

(10) **Patent No.: US D936,015 S**

(45) **Date of Patent: ** Nov. 16, 2021**

(54) **FLOATING SOCKET CONNECTOR**

(71) Applicant: **Molex, LLC**, Lisle, IL (US)

(72) Inventors: **Chiu-Ming Lu**, Lisle, IL (US); **Ronald C. Hodge**, Lisle, IL (US); **Pierre Perez**, Aurora, IL (US)

(73) Assignee: **Molex, LLC**, Lisle, IL (US)

(**) Term: **15 Years**

(21) Appl. No.: **29/753,431**

(22) Filed: **Sep. 30, 2020**

Related U.S. Application Data

(63) Continuation of application No. 16/330,767, filed on Mar. 6, 2019, now Pat. No. 10,892,576.

(51) **LOC (13) Cl.** **13-03**

(52) **U.S. Cl.**
USPC **D13/133; D13/146**

(58) **Field of Classification Search**
USPC D13/110, 112, 118, 123, 133, 146-149,
D13/154, 173, 184, 199; D9/434, 435,
D9/453, 772, 779, 780; D3/203.2
CPC H01R 12/91; H01R 13/00; H01R 13/18;
H01R 13/187; H01R 13/13/627; H01R
13/631; H01R 25/16; H01R 25/162;
H01R 12/71; H01R 13/24; H01R 13/502;
H01R 13/62

See application file for complete search history.

(56) **References Cited**

U.S. PATENT DOCUMENTS

D287,456 S 12/1986 Kobos
D332,557 S 1/1993 Blake et al.
D359,685 S * 6/1995 Luch D9/438
5,516,303 A 5/1996 Yohn et al.

D391,757 S * 3/1998 Johnson D3/203.2
5,769,552 A 6/1998 Kelley et al.
5,769,652 A 6/1998 Wider
(Continued)

FOREIGN PATENT DOCUMENTS

CN 101752728 A 6/2010
CN 202977789 U 6/2010
(Continued)

OTHER PUBLICATIONS

Molex 6.0mm Coeur CST High Current Connector System and Application Tools, dated Oct. 15, 2018, [online], [site visited Jul. 6, 2021]. Available from Internet, URL: https://www.molex.com/pdm_docs/as/2043130006-AS-000.pdf (Year: 2018).*

(Continued)

Primary Examiner — Shawn T Gingrich

(74) *Attorney, Agent, or Firm* — Banner & Witcoff, Ltd.

(57) **CLAIM**

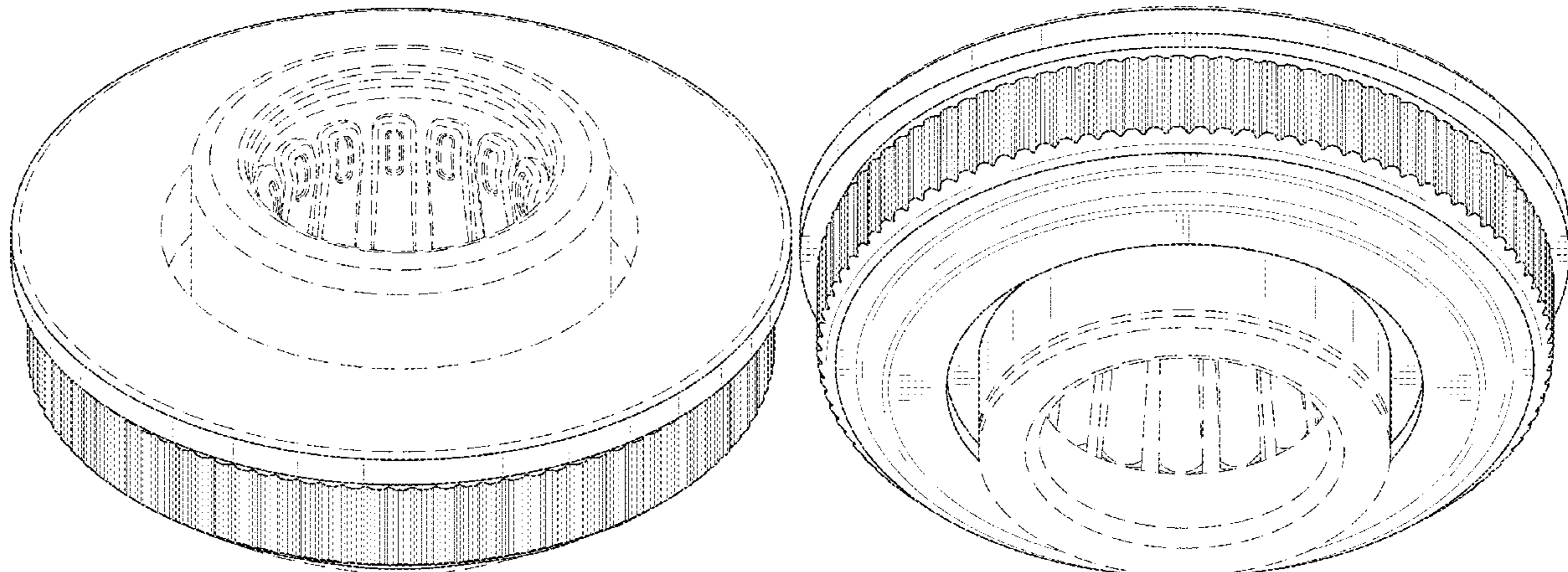
The ornamental design for a floating socket connector, as shown and described.

DESCRIPTION

FIG. 1 is a top perspective view of a floating socket connector showing our new design;
FIG. 2 is a bottom perspective view thereof;
FIG. 3 is a front view thereof;
FIG. 4 is a rear view thereof;
FIG. 5 is a right side view thereof;
FIG. 6 is a left side view thereof;
FIG. 7 is a top view thereof; and,
FIG. 8 is a bottom view thereof.

The broken lines immediately adjacent to the shaded areas represent the bounds of the claimed design and form no part thereof. The broken lines depicting the remainder of the floating socket connector form no part of the claimed design.

1 Claim, 8 Drawing Sheets



(56)

References Cited

U.S. PATENT DOCUMENTS

6,488,136 B2 12/2002 Chang
 6,715,382 B1* 4/2004 Hsien B25B 13/463
 81/60
 D491,428 S 6/2004 Barnett et al.
 D498,775 S 11/2004 Hu
 D498,776 S 11/2004 Hu
 D498,777 S 11/2004 Hu
 D498,778 S 11/2004 Hu
 D534,802 S* 1/2007 German D9/453
 D550,049 S 9/2007 Peng
 D550,050 S 9/2007 Peng
 D551,924 S 10/2007 Tuan Mu
 D558,006 S 12/2007 Tuan Mu
 D582,275 S* 12/2008 Reed D9/453
 D633,762 S 3/2011 Zhou et al.
 D636,265 S* 4/2011 Gartner D9/453
 D685,505 S* 7/2013 Yamamoto D26/2
 D723,370 S* 3/2015 Medlin D9/453
 D739,695 S 9/2015 Chang
 D743,223 S 11/2015 Chang
 D749,384 S 2/2016 Chang
 9,484,650 B2 11/2016 Shinder-Lerner et al.
 D867,298 S* 11/2019 Joniak D13/146
 D868,000 S* 11/2019 Joniak D13/146
 D869,000 S* 12/2019 Sonneman D26/113
 D877,702 S* 3/2020 Joniak D13/146
 D885,904 S* 6/2020 Kim D9/453
 D922,199 S* 6/2021 Kim D9/453
 2001/0054531 A1* 12/2001 Chang B25B 13/463
 192/46
 2010/0099290 A1 4/2010 Gastineau
 2010/0124835 A1 5/2010 Johnson
 2010/0186228 A1 7/2010 Montena
 2010/0261361 A1 10/2010 Kasparian et al.
 2013/0109228 A1 5/2013 Sykes et al.
 2013/0161069 A1* 6/2013 Erdle H01R 4/30
 174/135
 2014/0029900 A1 1/2014 Logan, Jr. et al.

2014/0227900 A1* 8/2014 Zitsch H01R 13/62
 439/359
 2016/0141784 A1 5/2016 Hashiguchi
 2016/0332783 A1* 11/2016 Kim B65D 41/3428
 2017/0338606 A1* 11/2017 Copper H01R 43/20
 2018/0208333 A1* 7/2018 Cesari H01R 13/04
 2019/0267735 A1* 8/2019 Lu H01R 13/187
 2020/0358234 A1* 11/2020 Liu H01R 13/5205

FOREIGN PATENT DOCUMENTS

CN 203574201 U 4/2014
 CN 104022376 A 9/2014
 CN 104332736 A 2/2015
 CN 204216296 U 3/2015
 JP S51-103267 A 9/1976
 JP H03-118572 U 12/1991
 JP H08-31488 A 2/1996
 JP 2000-182696 A 6/2000
 JP 2011-204607 A 10/2011
 JP 2016-096022 A 5/2016
 KR 2014-0112506 A 9/2014
 WO 2015/080946 A1 6/2015
 WO 2018/093981 A1 5/2018

OTHER PUBLICATIONS

High-current interconnect system eases PCB connections, dated Oct. 6, 2018, [online], [site visited Jul. 6, 2021]. Available from Internet, URL: <https://www.electronicproducts.com/high-current-interconnect-system-eases-pcb-connections/#> (Year: 2018).
 International Search Report and Written Opinion received for PCT application No. PCT/US2017/061910, dated Mar. 15, 2018, 9 pages.
 International Preliminary Report on Patentability received for PCT Application No. PCT/US2017/061910, dated May 31, 2019, 8 pages.
 Notification of Reasons for refusal received for JP application No. 2019-515860, dated Mar. 24, 2020, 15 pages. (8 pages of English translation).

* cited by examiner

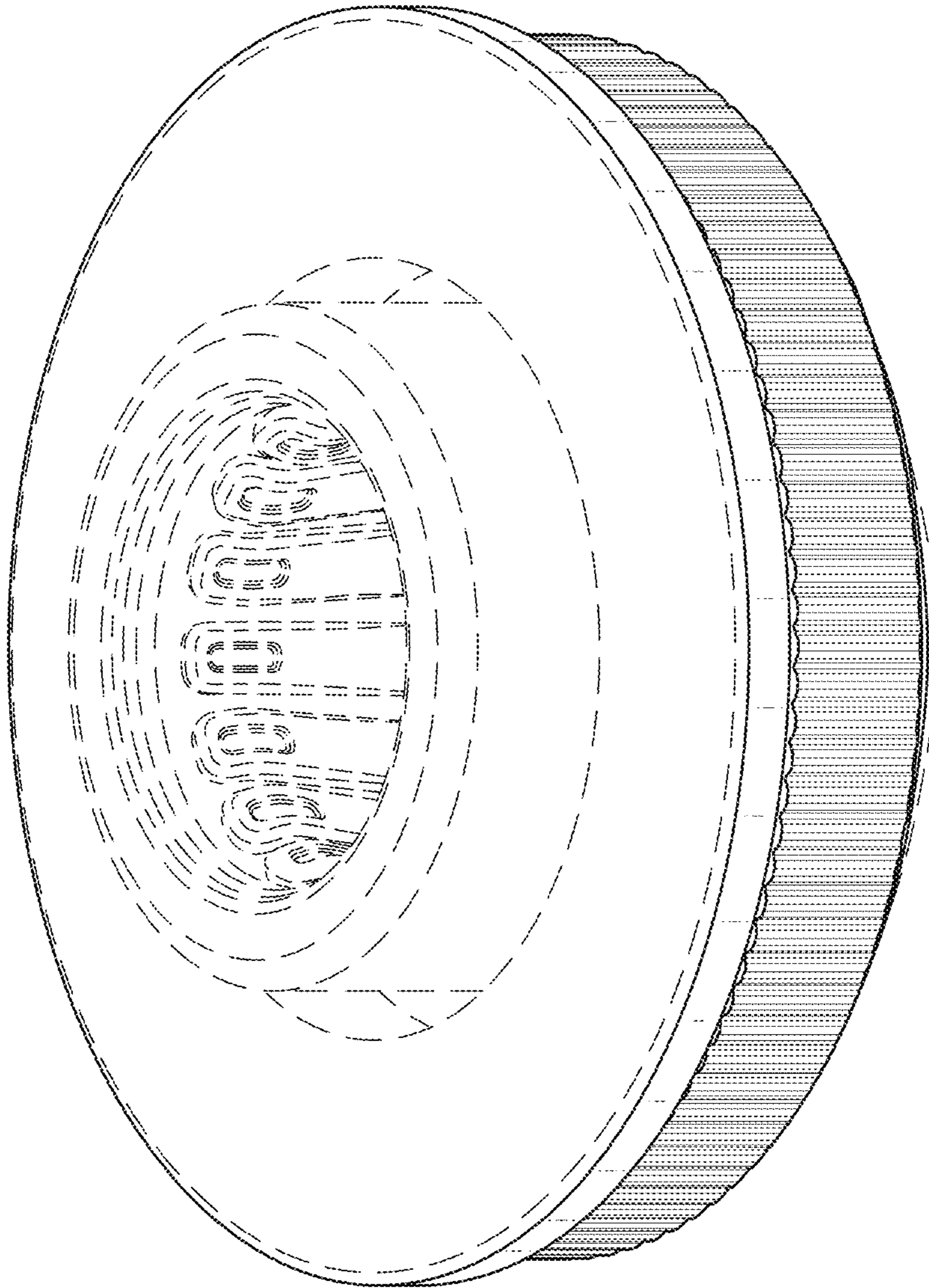


FIG. 1

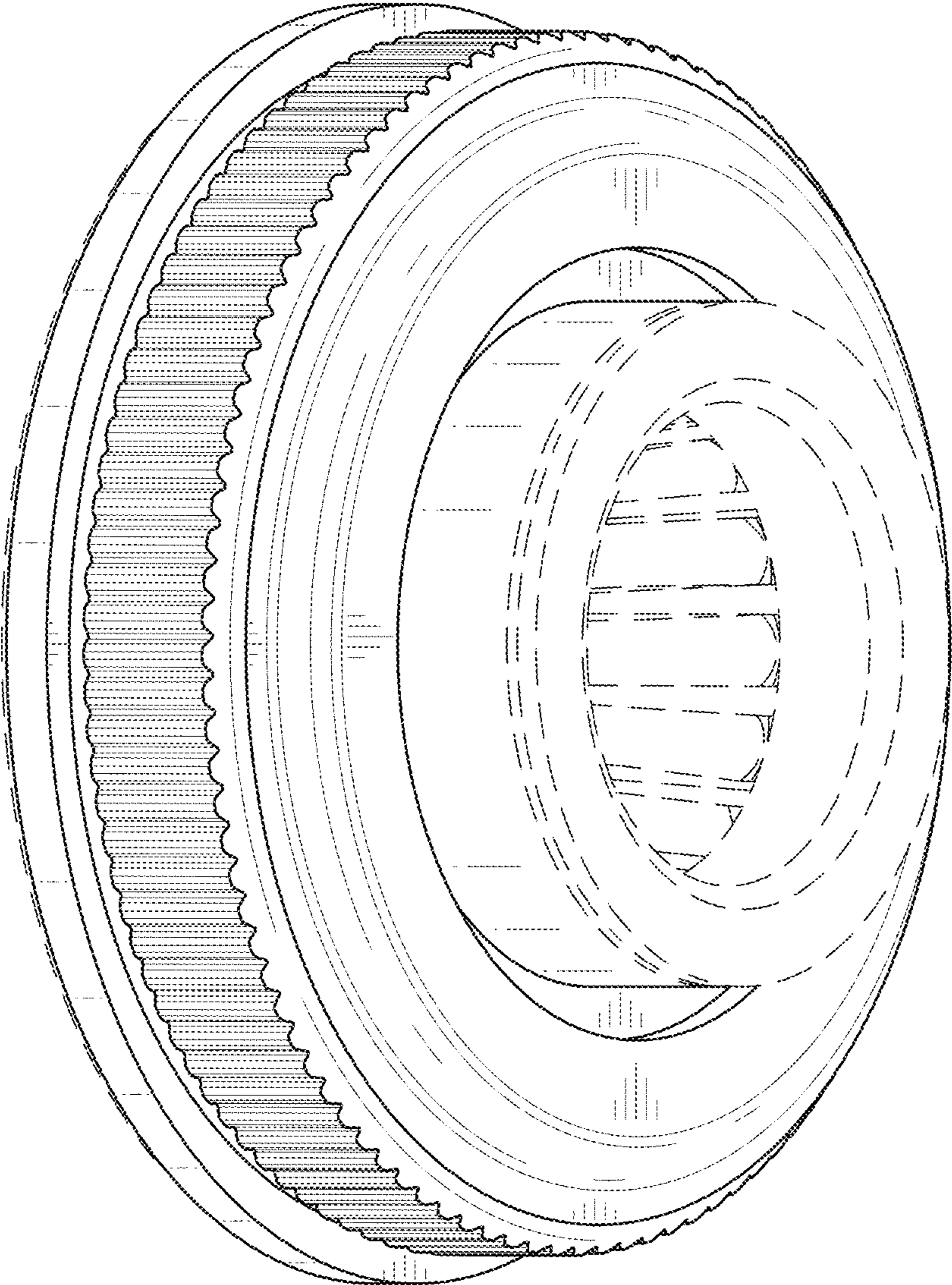


FIG. 2

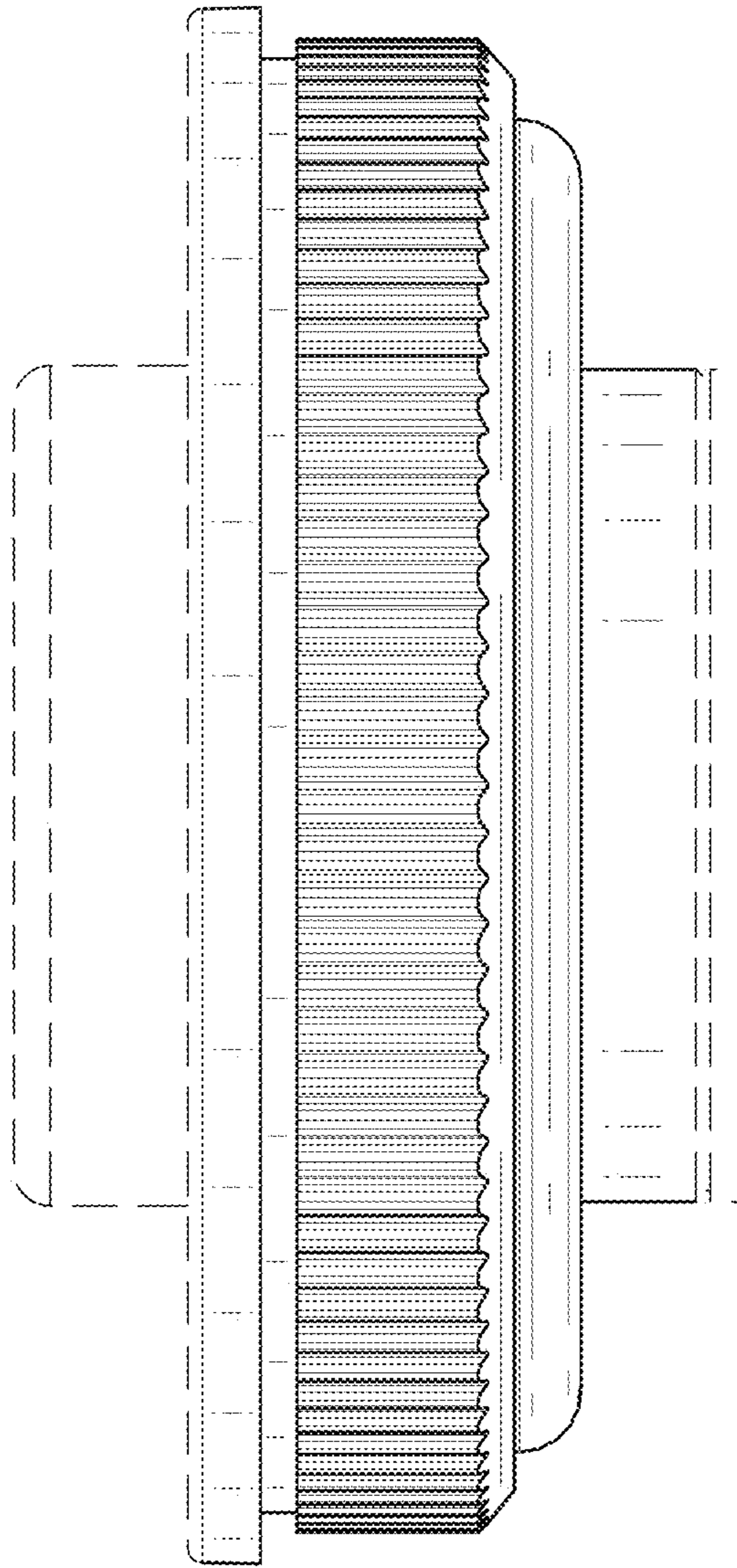


FIG. 3

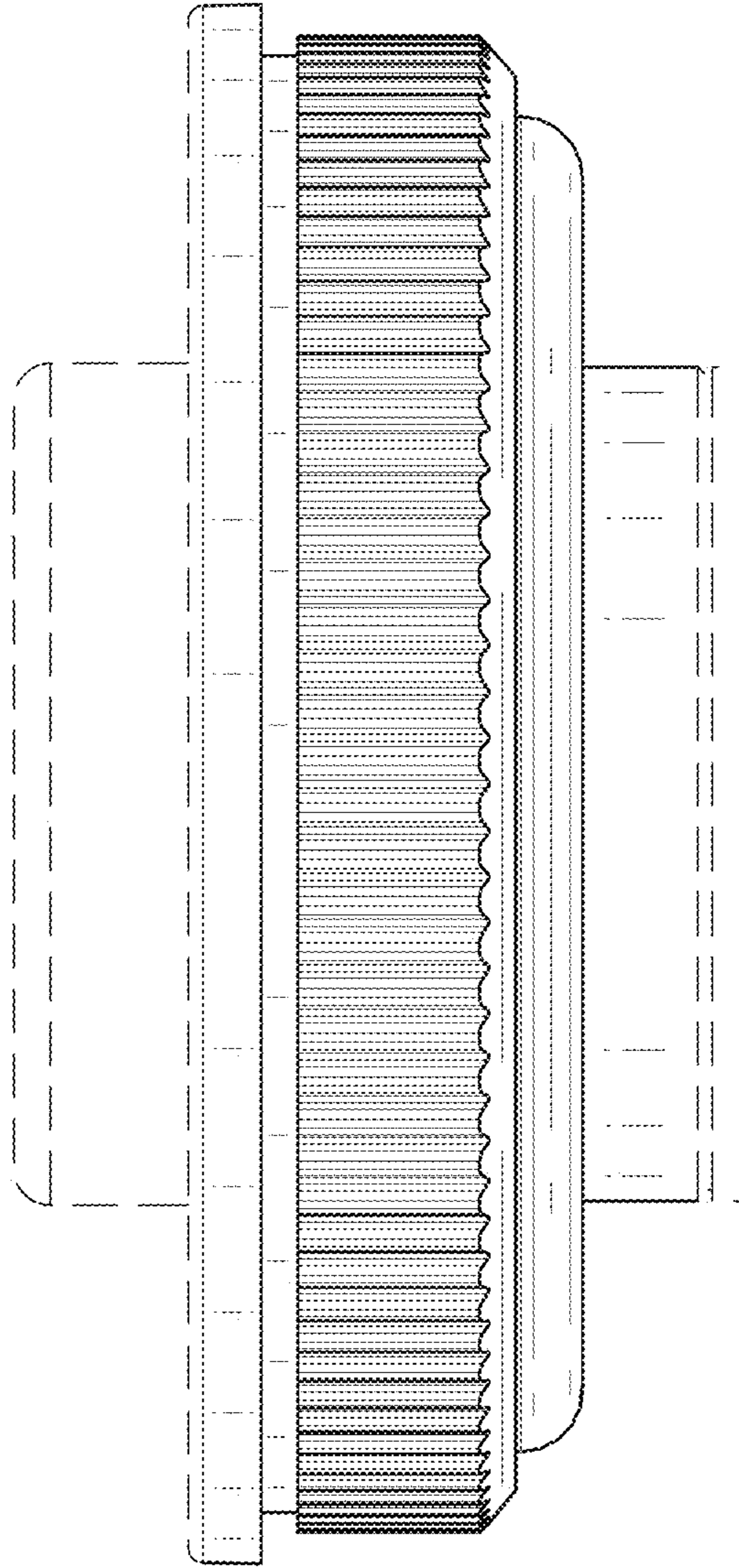


FIG. 4

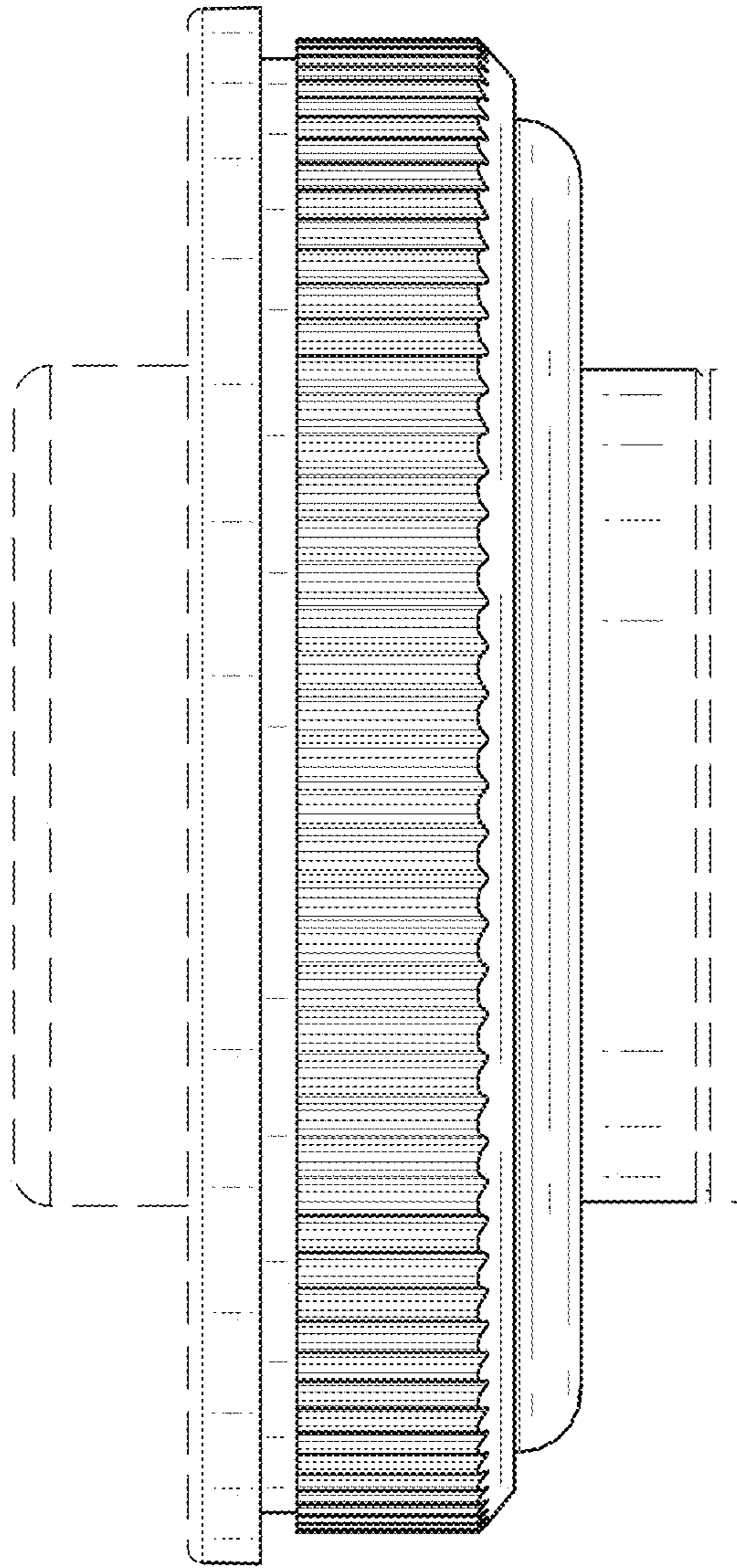


FIG. 5

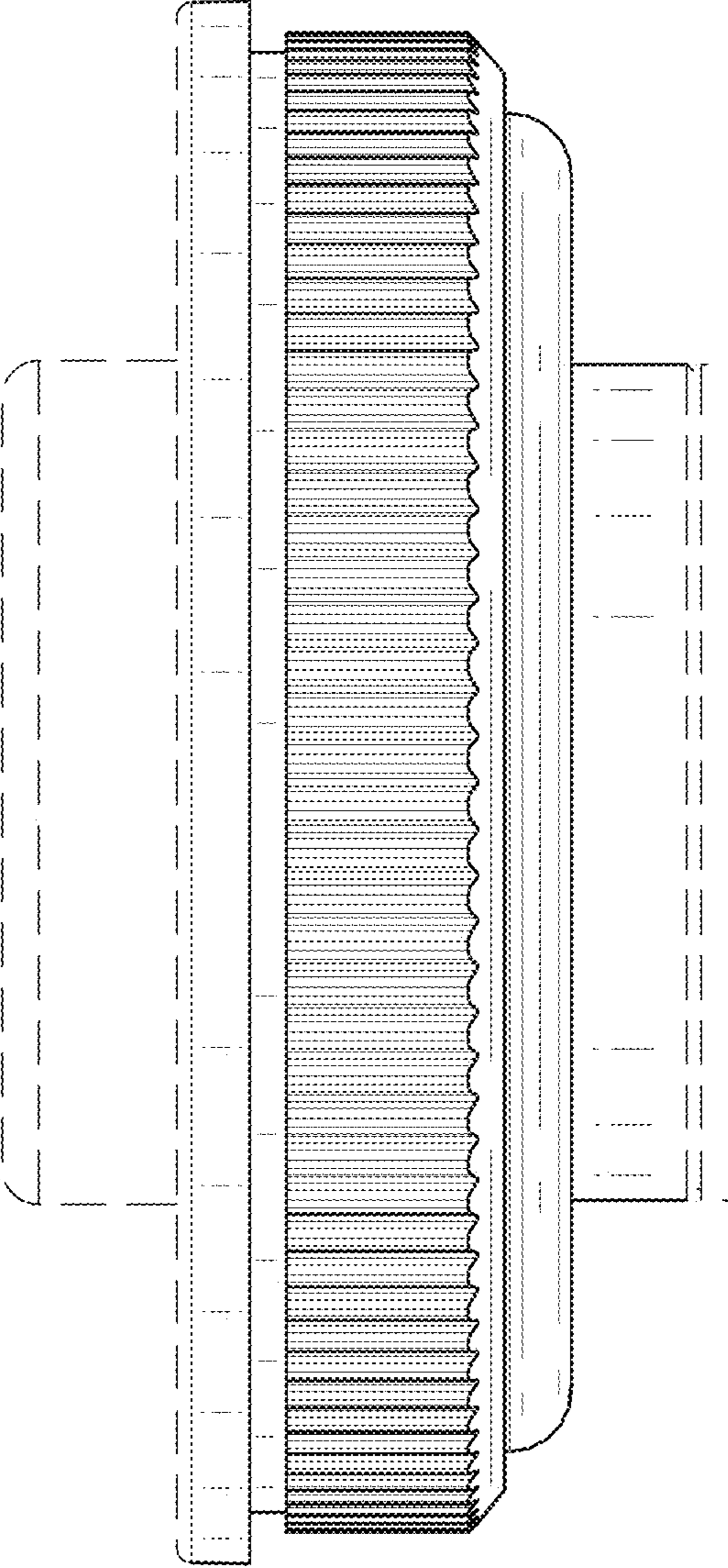


FIG. 6

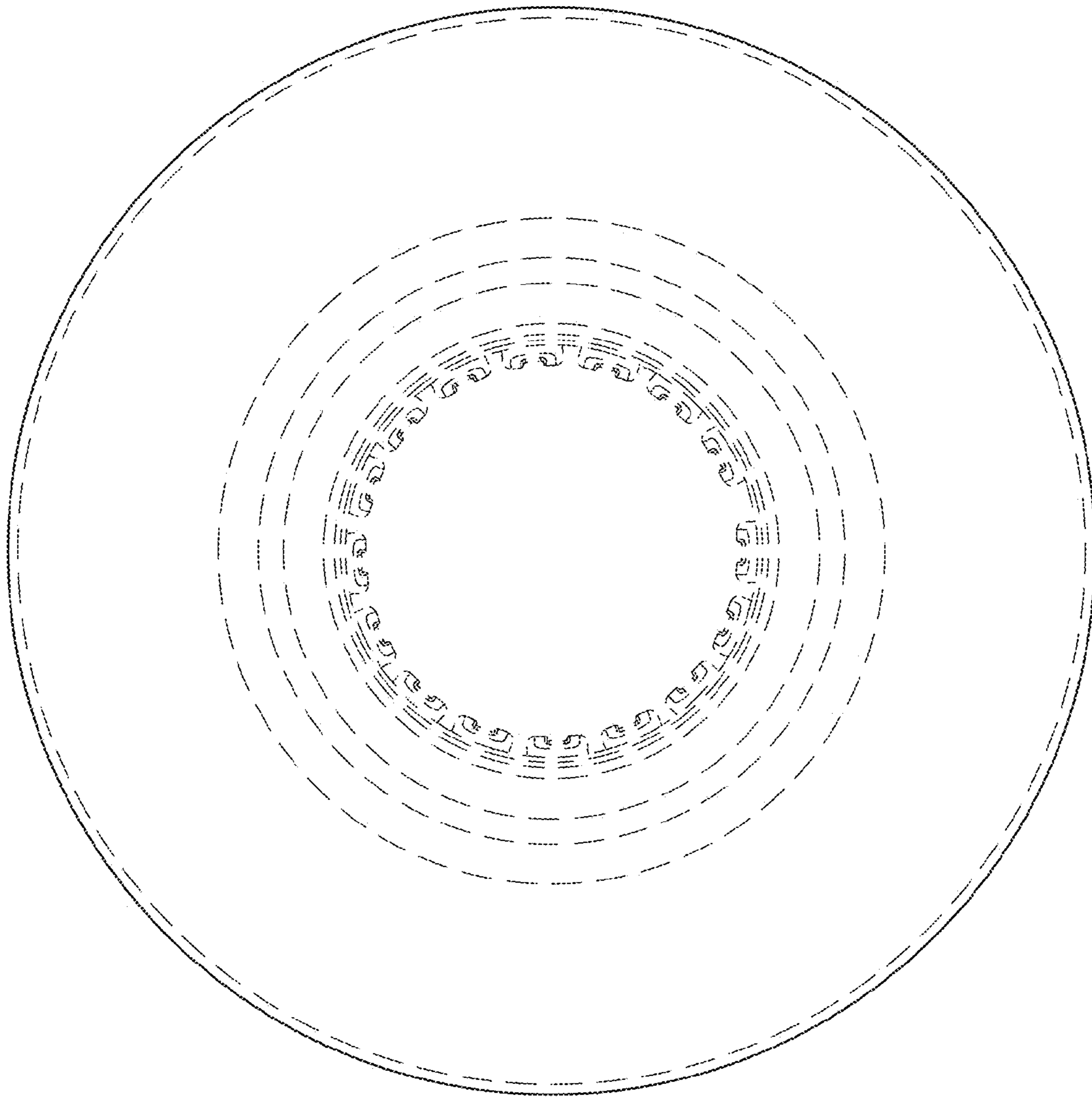


FIG. 7

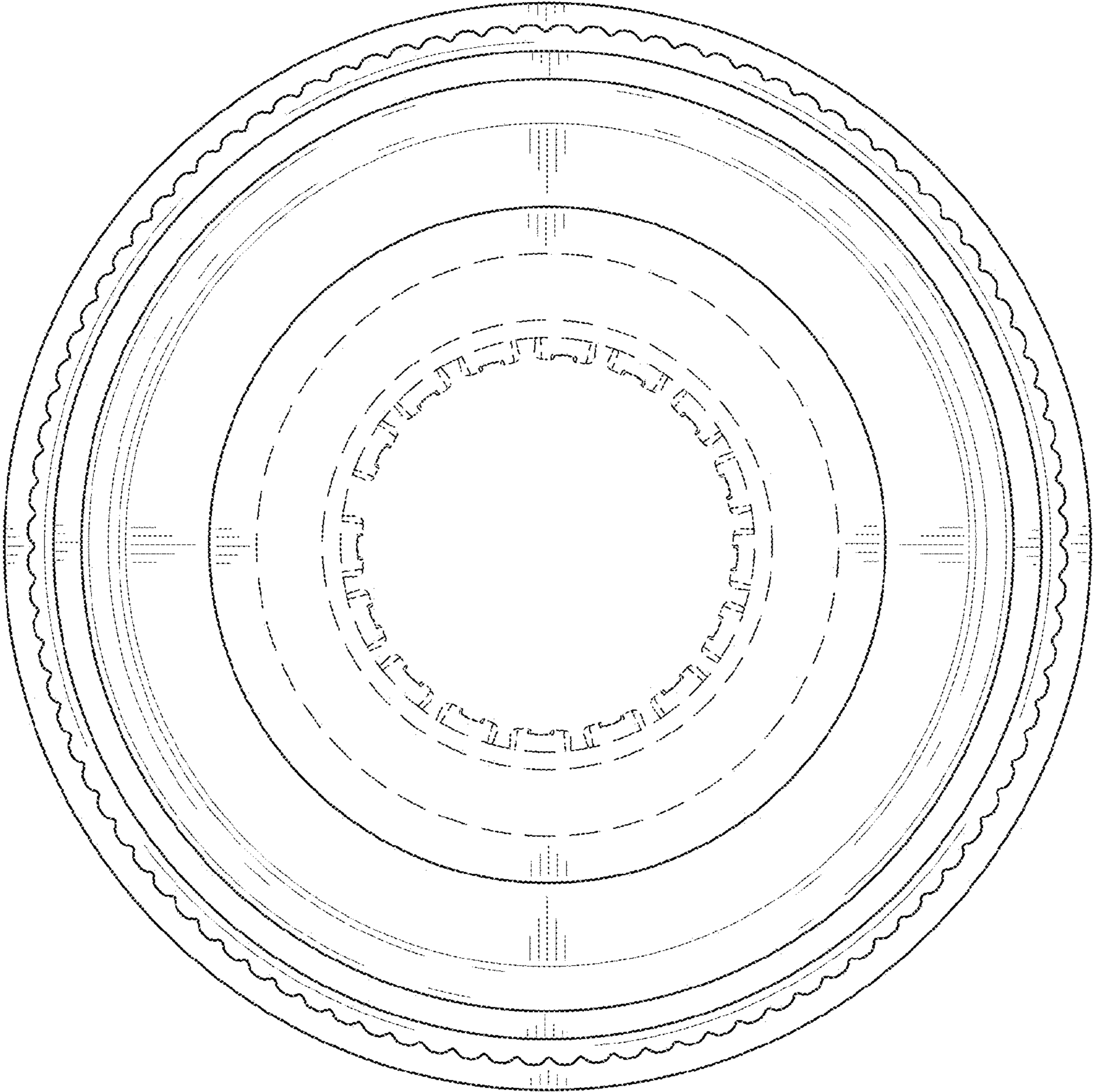


FIG. 8