



US00D936013S

(12) **United States Design Patent** (10) **Patent No.:** **US D936,013 S**
C et al. (45) **Date of Patent:** **** Nov. 16, 2021**

(54) **CONNECTOR**

(74) *Attorney, Agent, or Firm* — Banner & Witcoff, Ltd.

(71) Applicant: **Molex, LLC**, Lisle, IL (US)

(57) **CLAIM**

(72) Inventors: **Krishnamurthy C**, Bangalore (IN);
Harsha Thyagaraj, Bangalore (IN);
Pierre Perez, Aurora, IL (US)

The ornamental design for a connector, as shown and described.

(73) Assignee: **Molex, LLC**, Lisle, IL (US)

DESCRIPTION

(**) Term: **15 Years**

(21) Appl. No.: **29/700,207**

(22) Filed: **Jul. 31, 2019**

(51) **LOC (13) Cl.** **13-03**

(52) **U.S. Cl.**
USPC **D13/133; D13/147**

(58) **Field of Classification Search**
USPC D13/110, 118, 120, 123, 133, 134, 135,
D13/146, 147, 149, 153, 154, 184, 199;
D14/433, 435; D26/74, 138
CPC .. H01R 13/506; H01R 13/516; H01R 13/518;
H01R 13/58; H01R 13/56315; H01R
13/62; H01R 13/64; H01R 13/641; H01R
9/09; H01R 9/11
See application file for complete search history.

(56) **References Cited**

U.S. PATENT DOCUMENTS

5,697,805 A * 12/1997 Orstad H01R 13/6315
439/374
D402,959 S * 12/1998 Harada D13/134
D402,960 S * 12/1998 Harada D13/134

(Continued)

FOREIGN PATENT DOCUMENTS

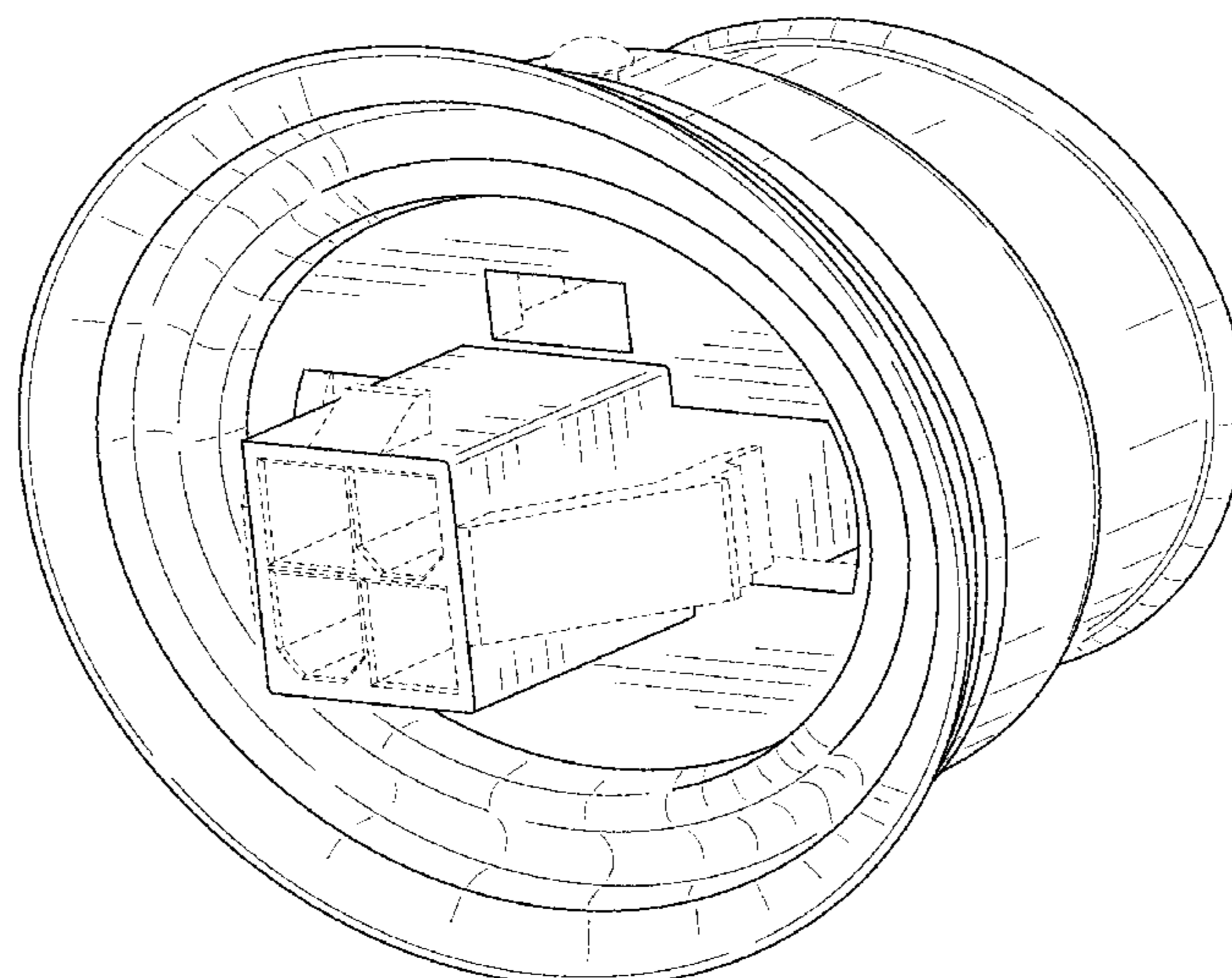
TW D174716 4/2016
TW D184271 7/2017

(Continued)

Primary Examiner — Brandon M Rosati

Assistant Examiner — Michael Chong

1 Claim, 22 Drawing Sheets



(56)

References Cited

U.S. PATENT DOCUMENTS

D402,961 S * 12/1998 Harada D13/134
D434,384 S * 11/2000 Hwang D13/147
D726,950 S 4/2015 Serwacki et al.
D745,211 S 12/2015 Serwacki et al.
D747,540 S 1/2016 Serwacki et al.
D840,938 S * 2/2019 Hsu D13/147
10,236,586 B2 * 3/2019 Zelenski H01Q 13/0208
D894,126 S * 8/2020 Somanathapura Ramanna
D13/133
2012/0156918 A1 * 6/2012 Tao H01R 13/64
439/357
2014/0308841 A1 * 10/2014 Zhu H01R 13/64
439/357

FOREIGN PATENT DOCUMENTS

TW D191412 7/2018
TW D195941 2/2019
WO D206920-018 * 7/2020

* cited by examiner

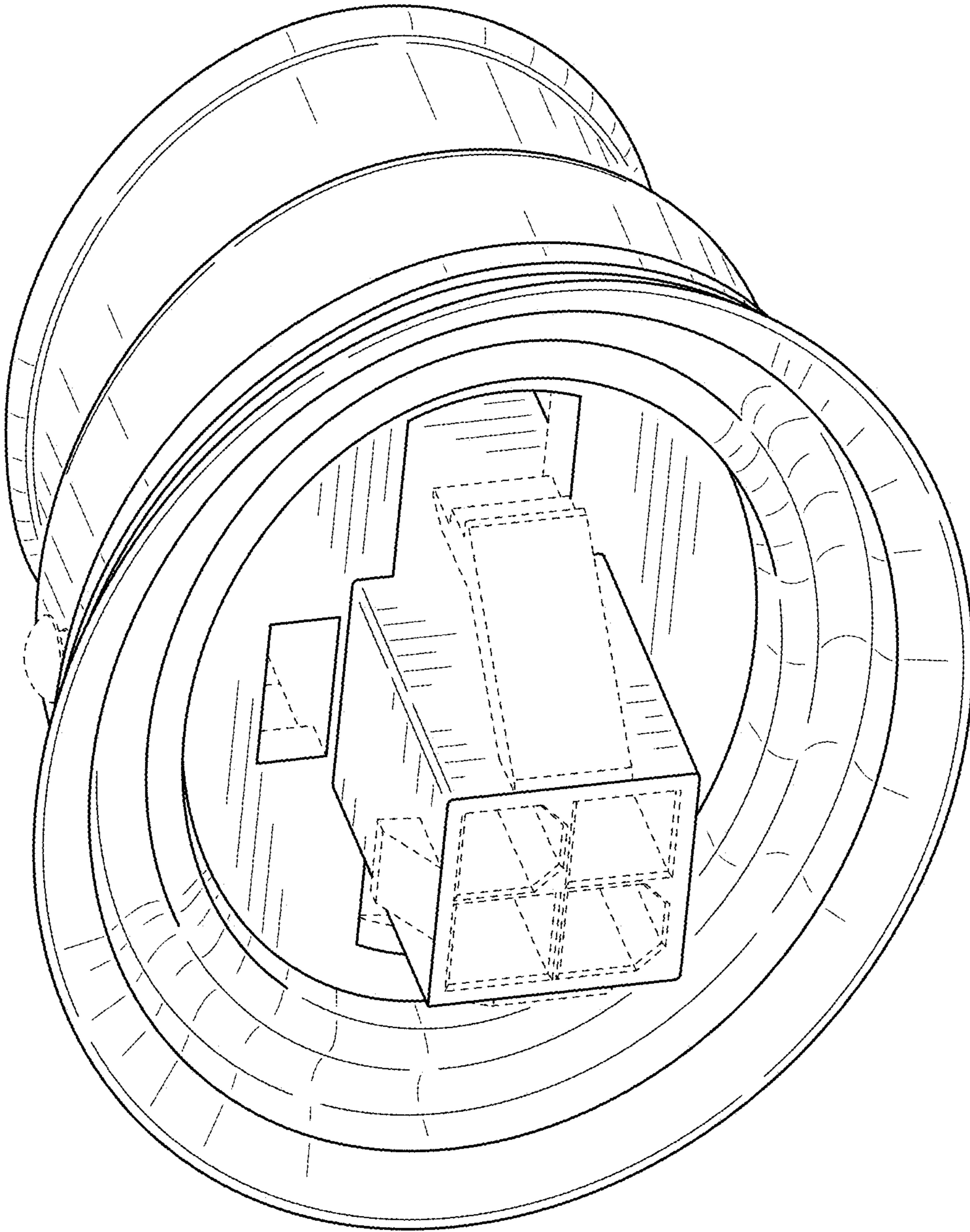


FIG. 1

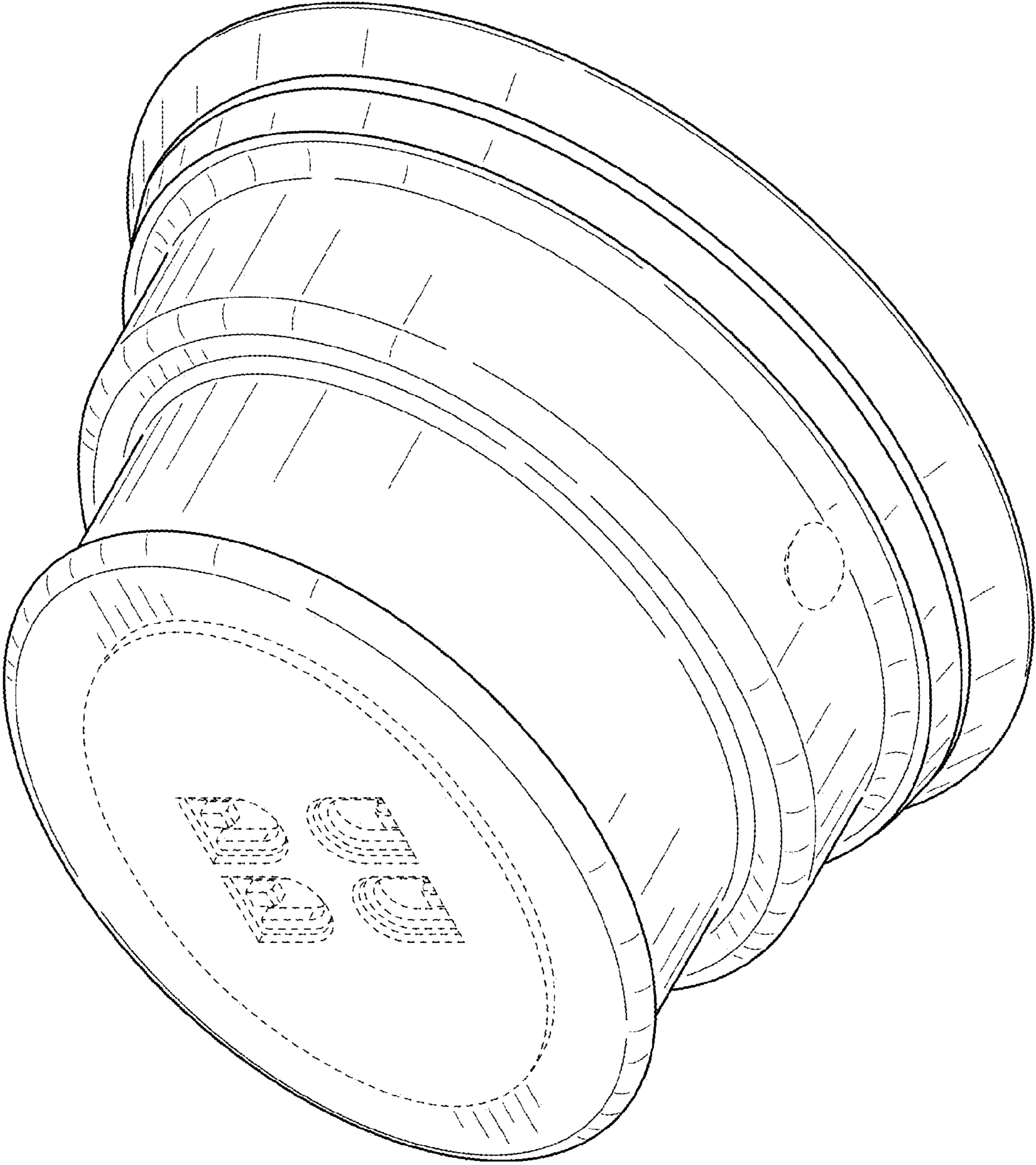


FIG. 2

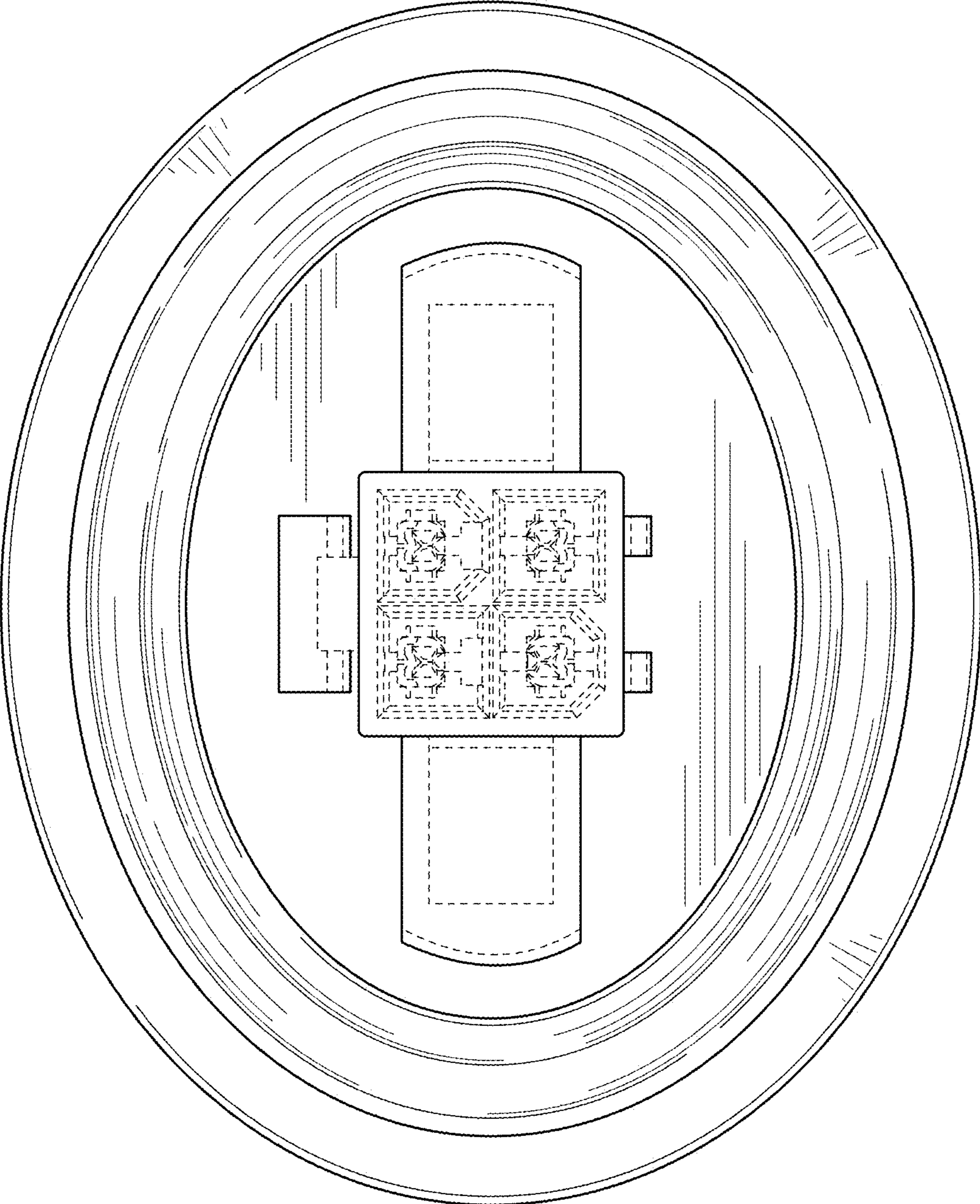


FIG. 3

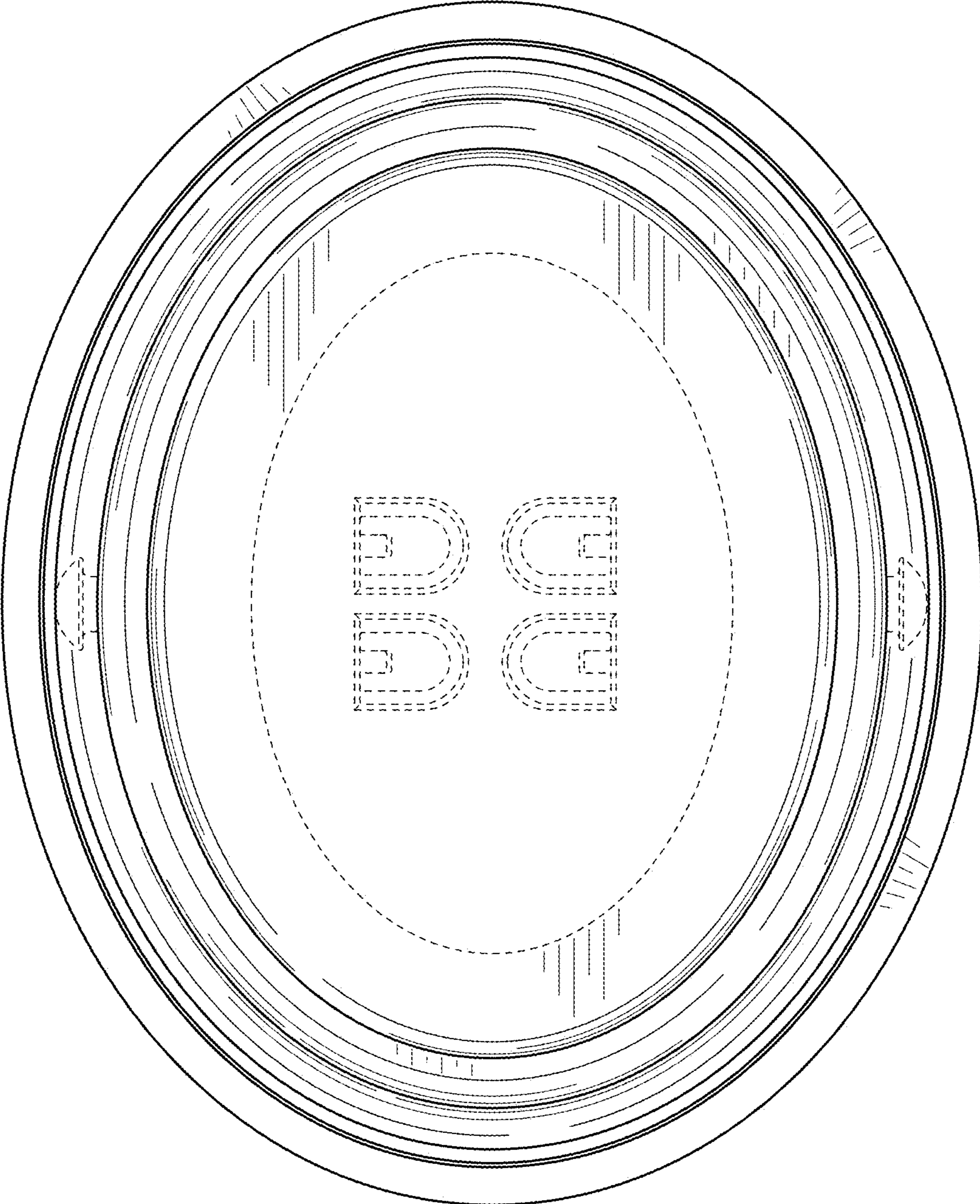


FIG. 4

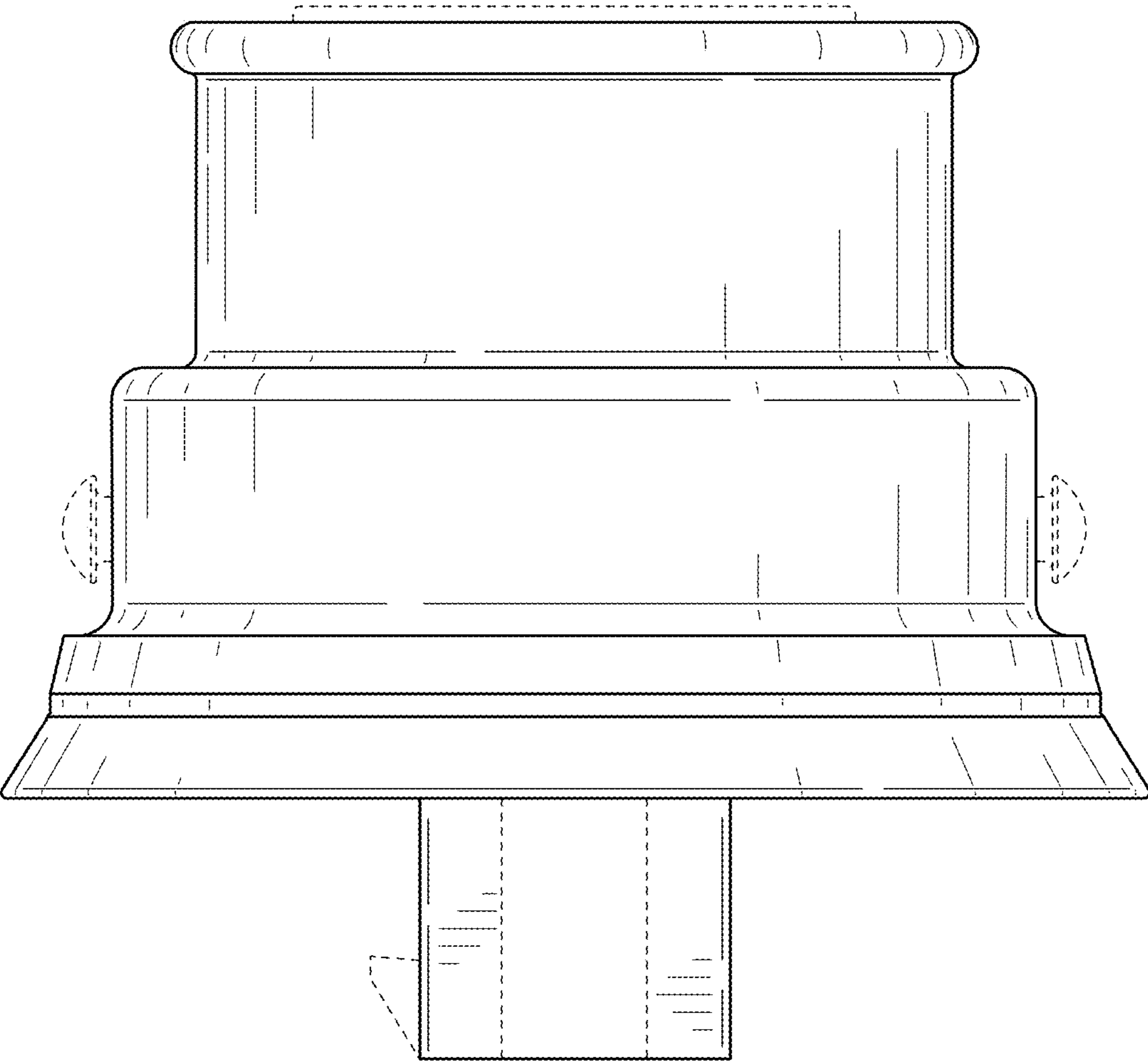


FIG. 5

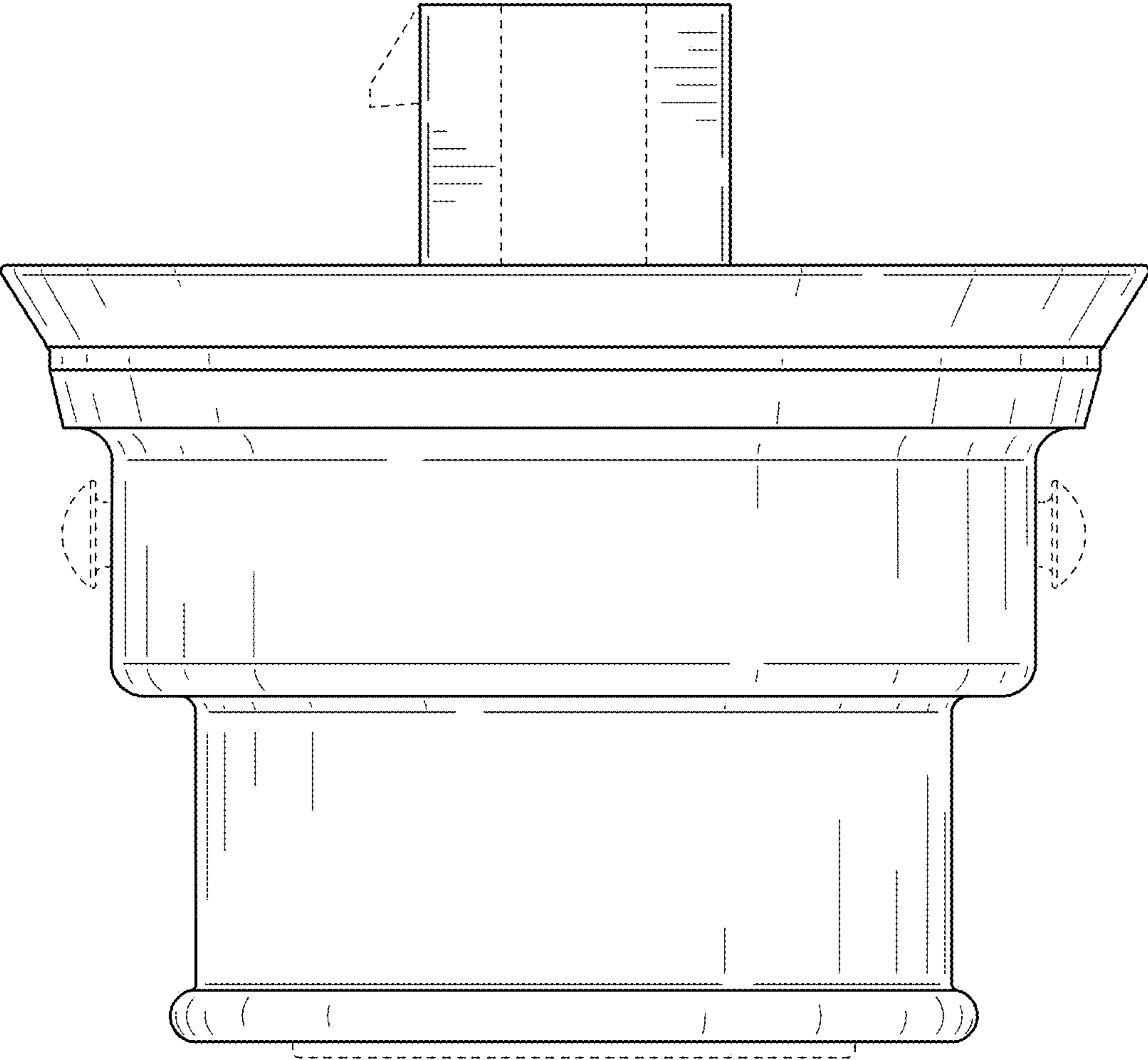


FIG. 6

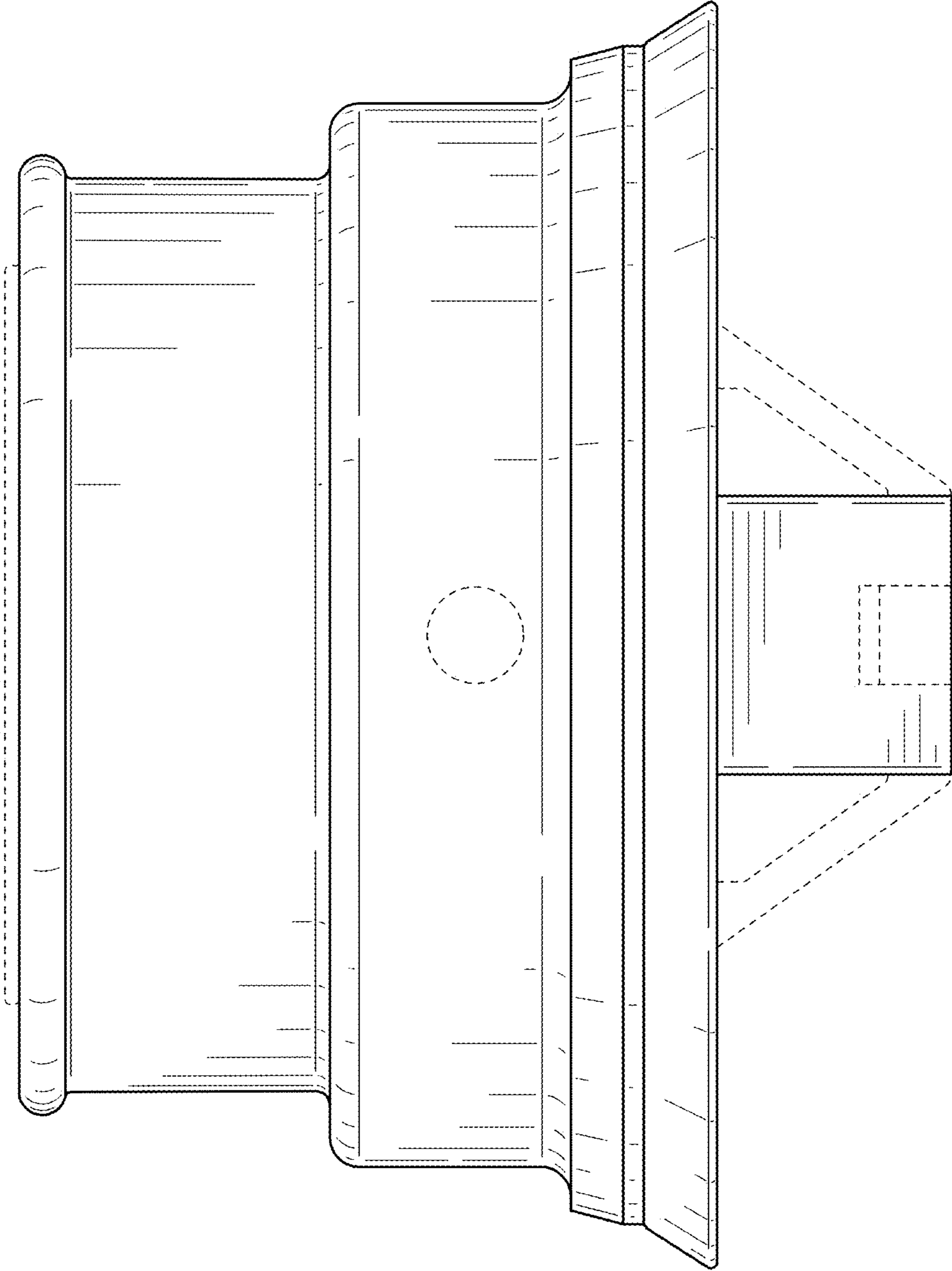


FIG. 7

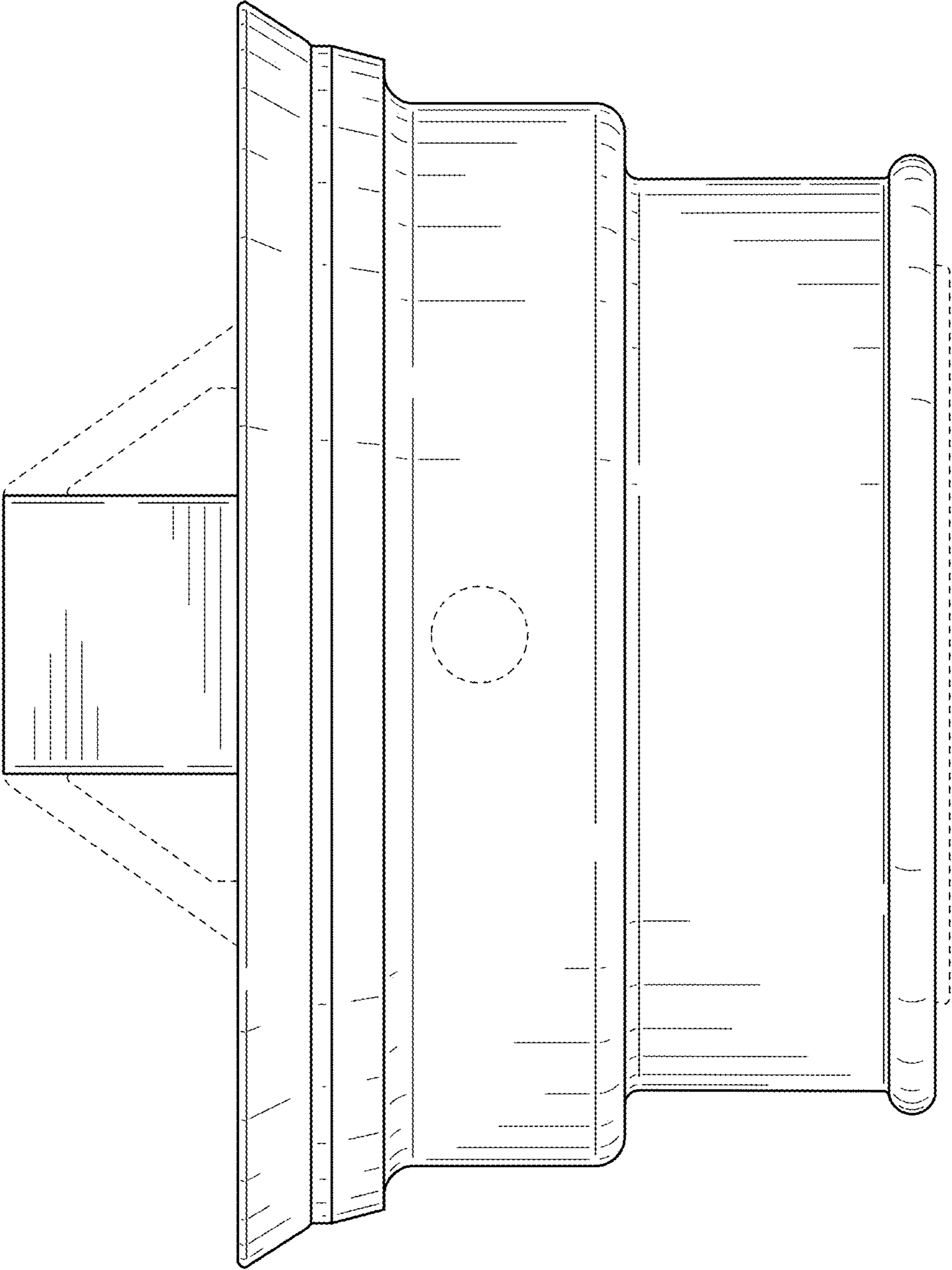


FIG. 8

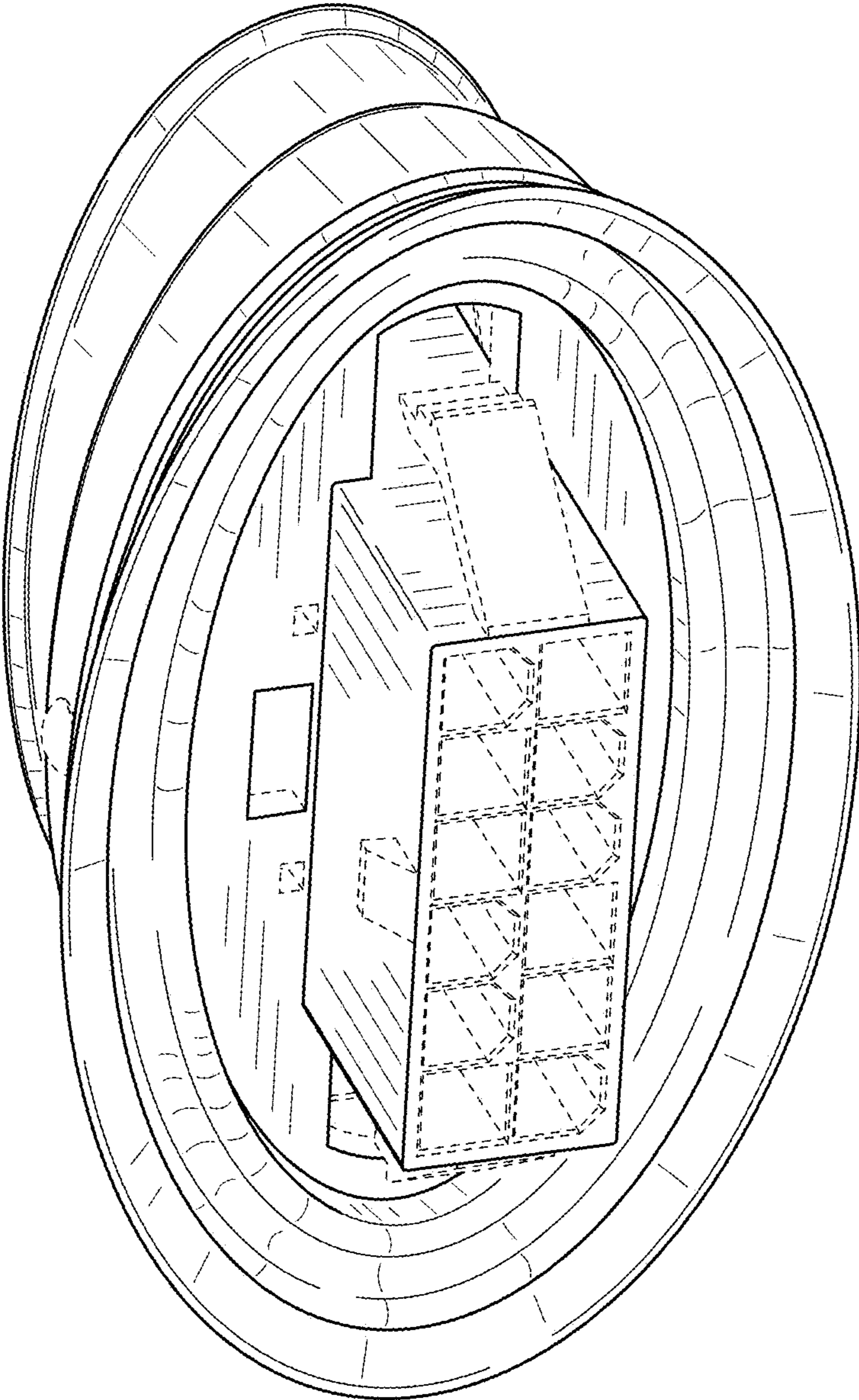


FIG. 9

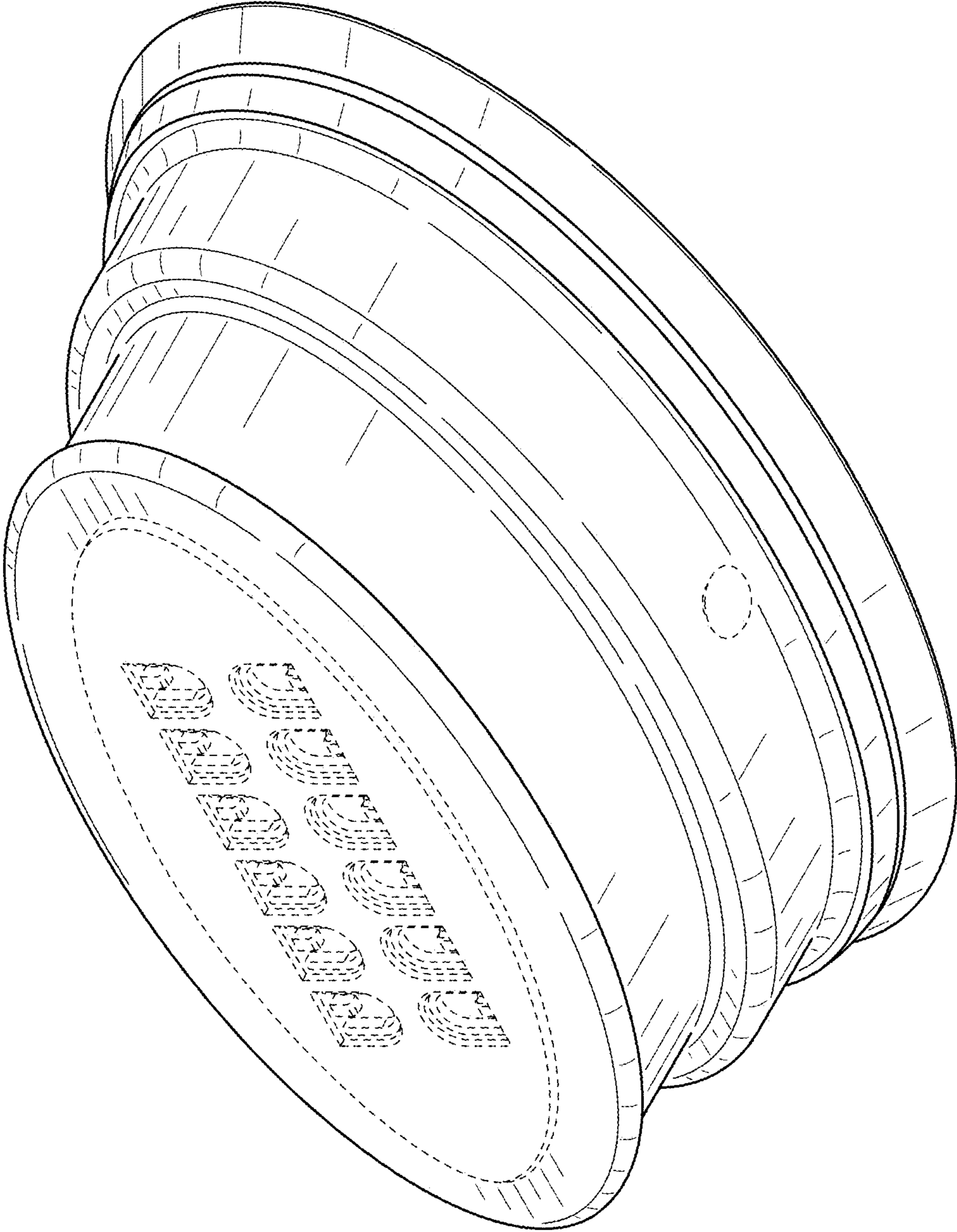


FIG. 10

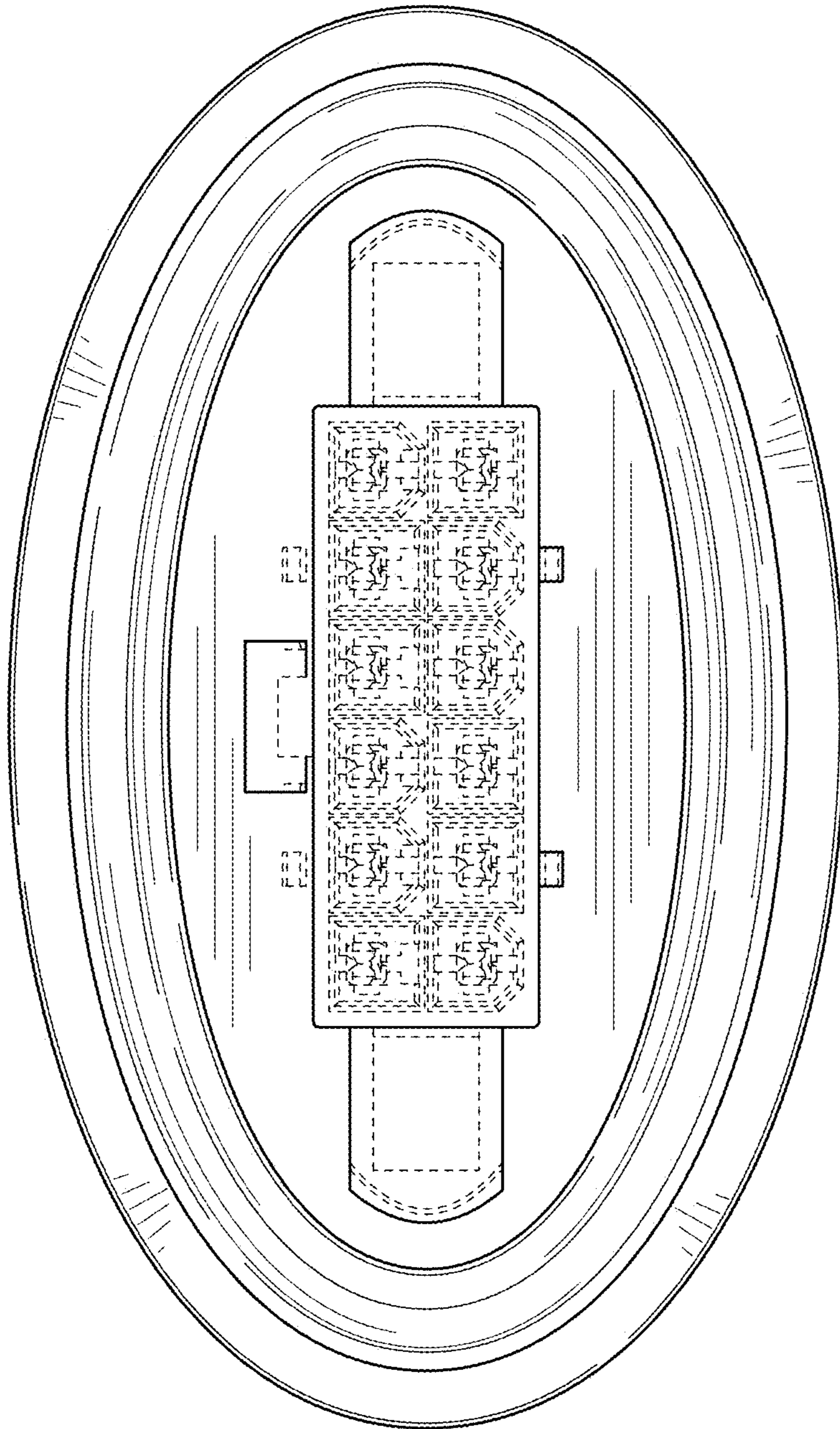


FIG. 11

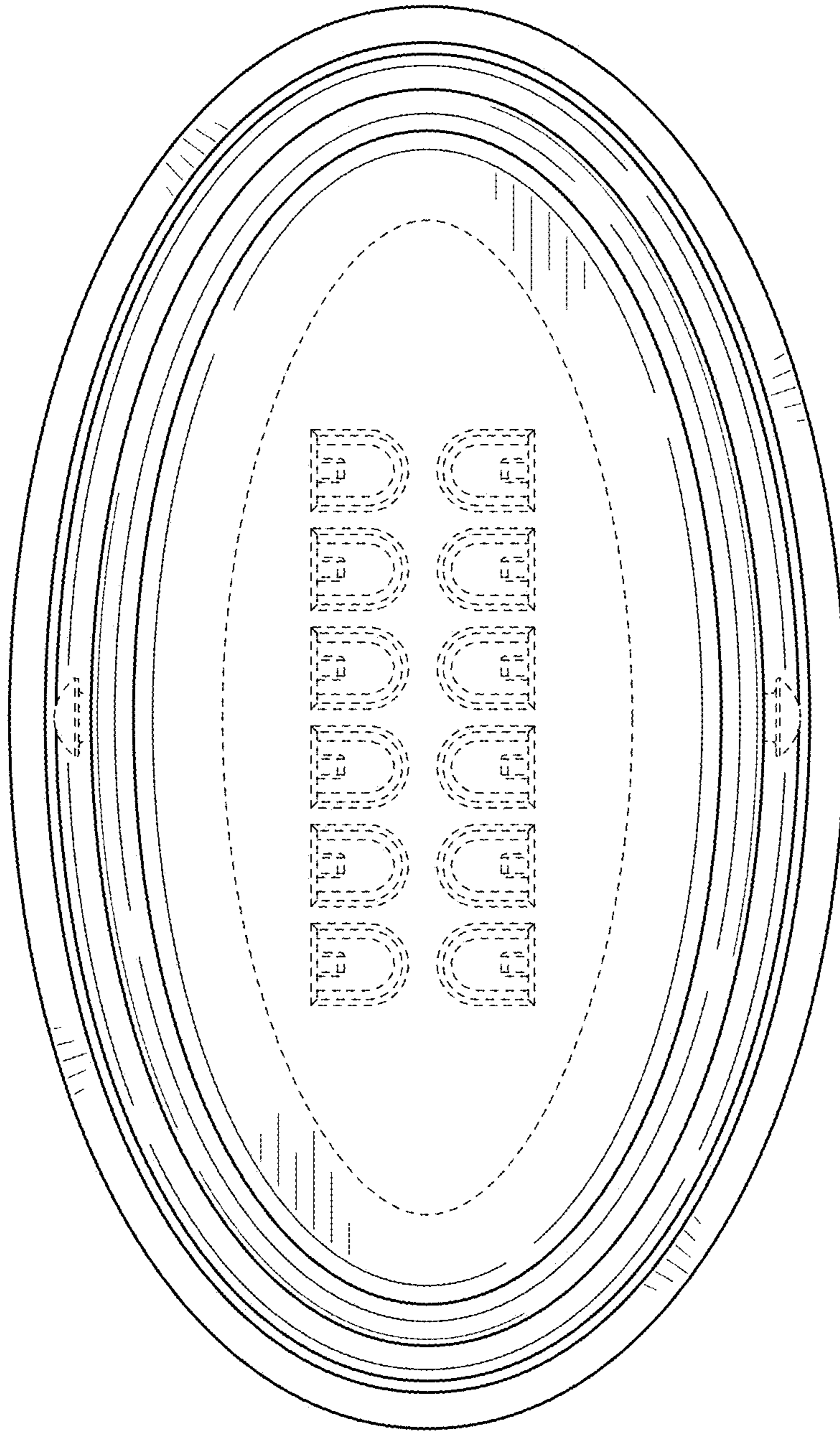


FIG. 12

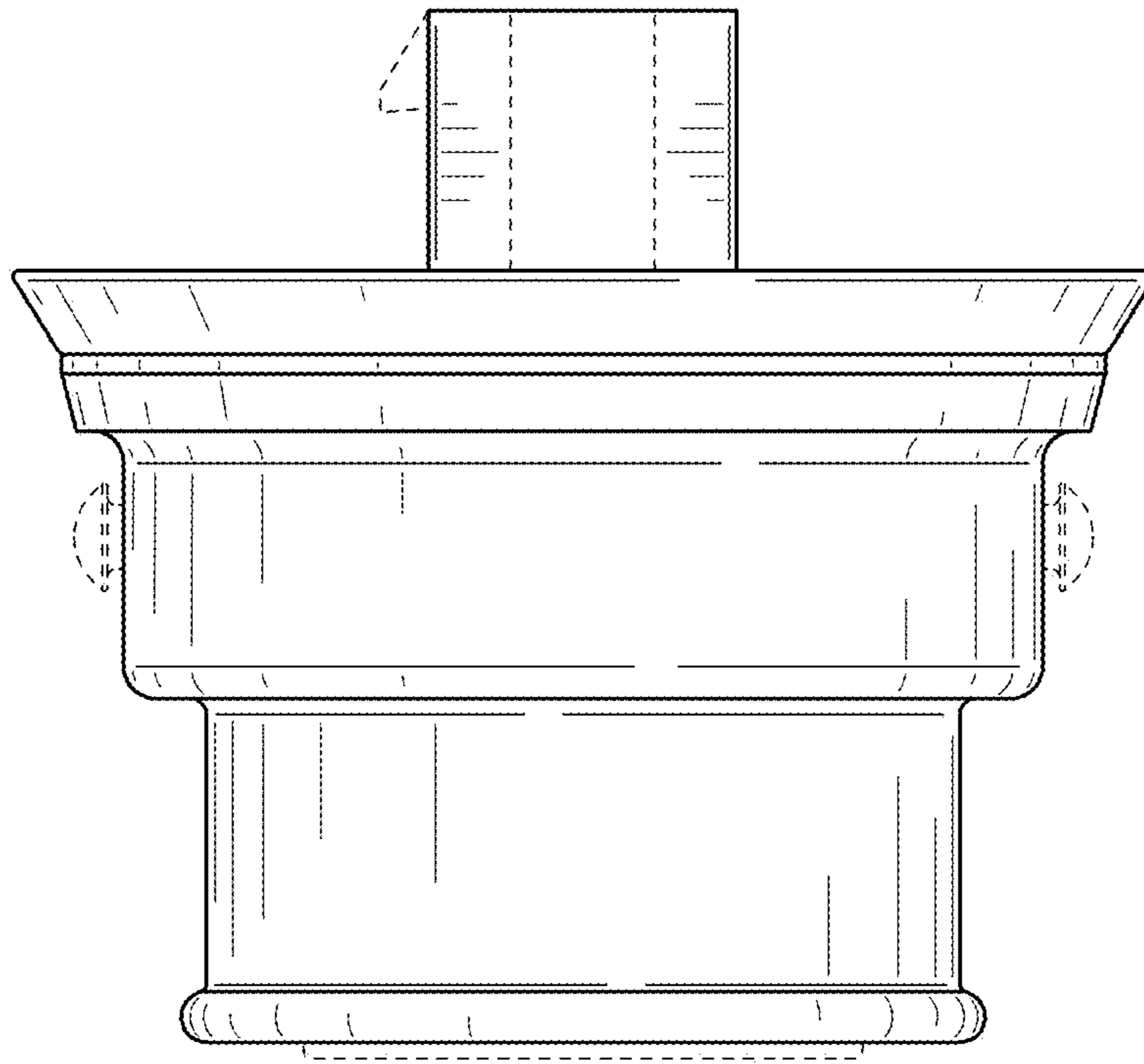


FIG. 14

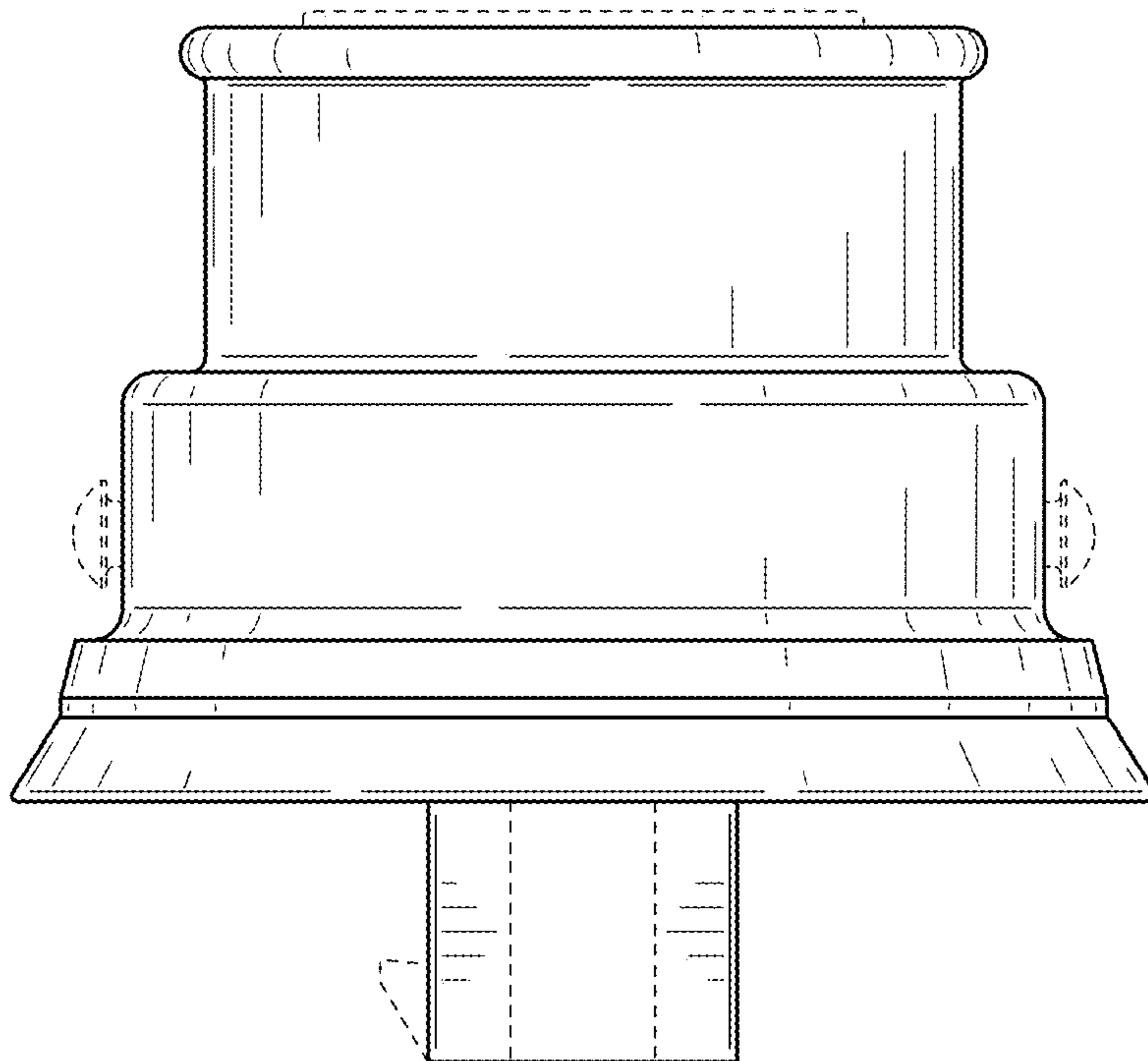


FIG. 13

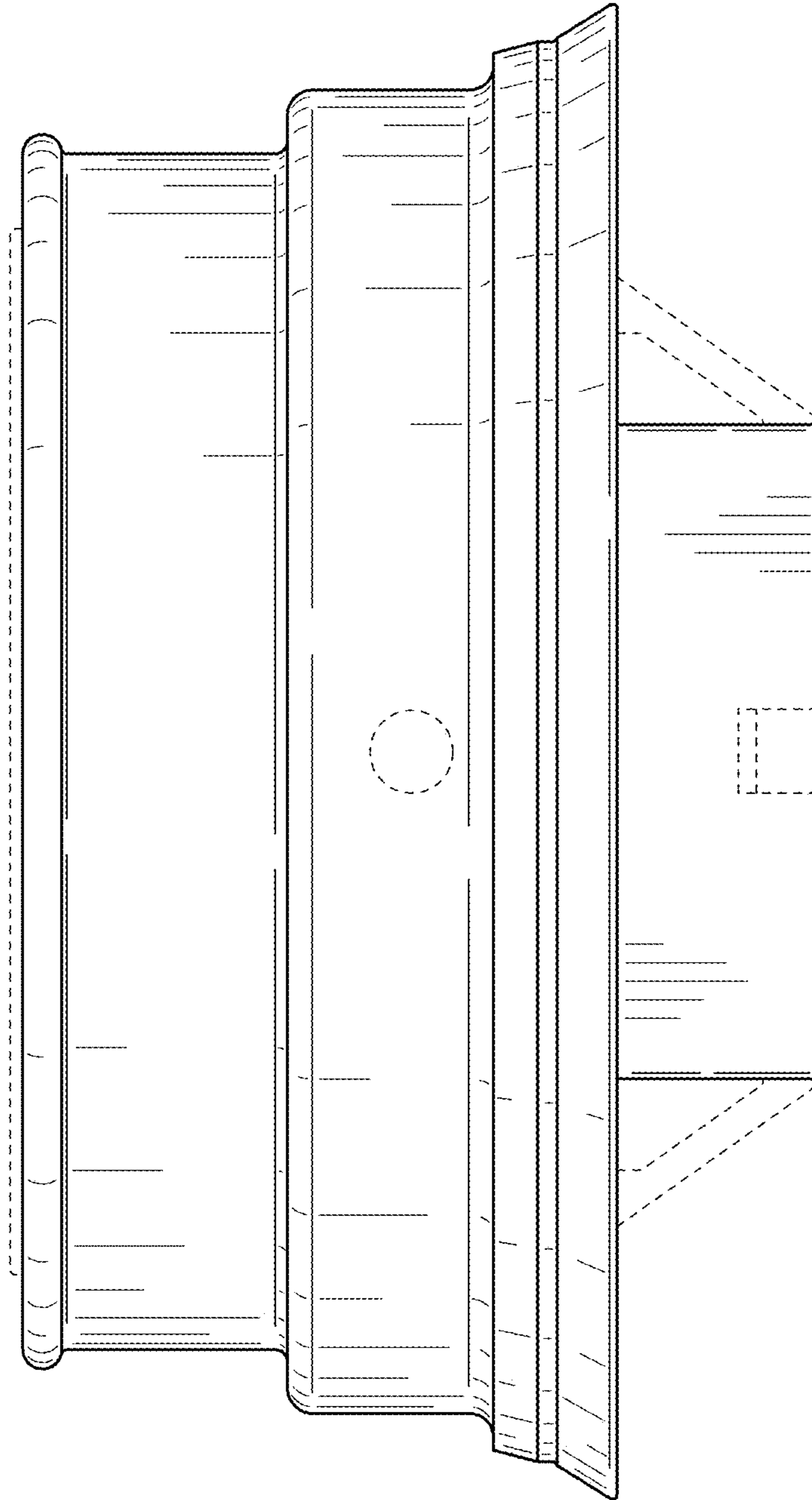


FIG. 15

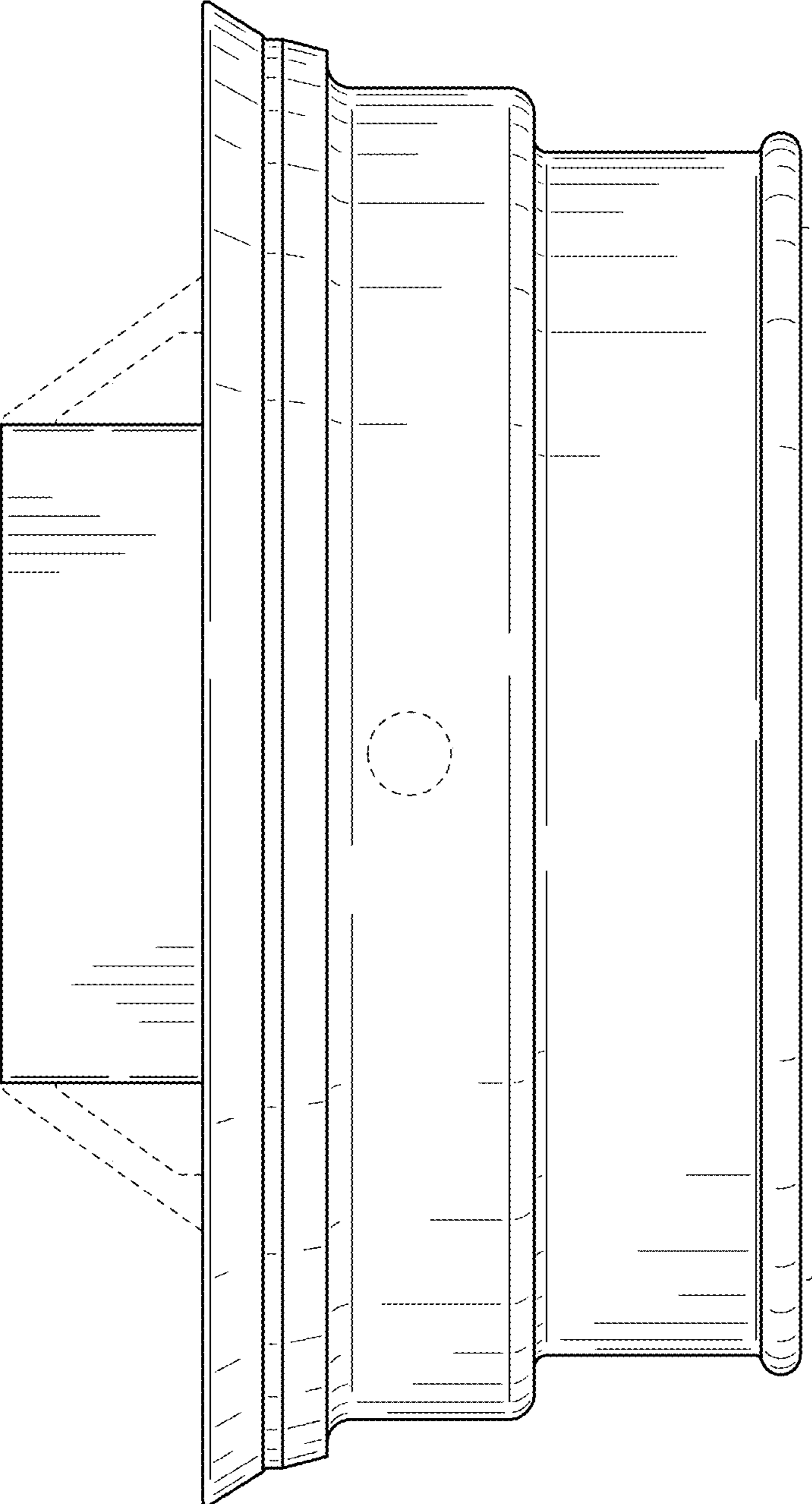


FIG. 16

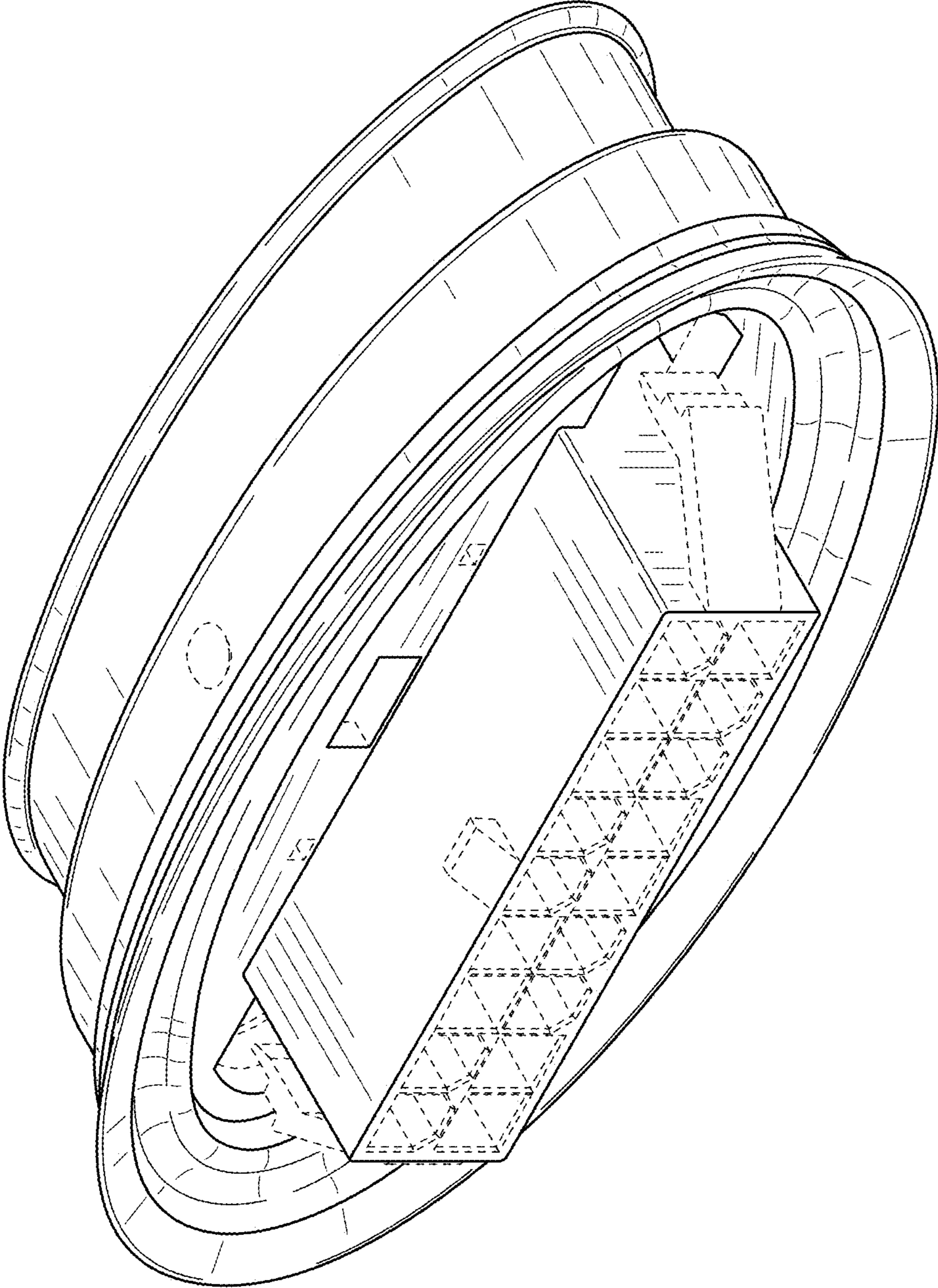


FIG. 17

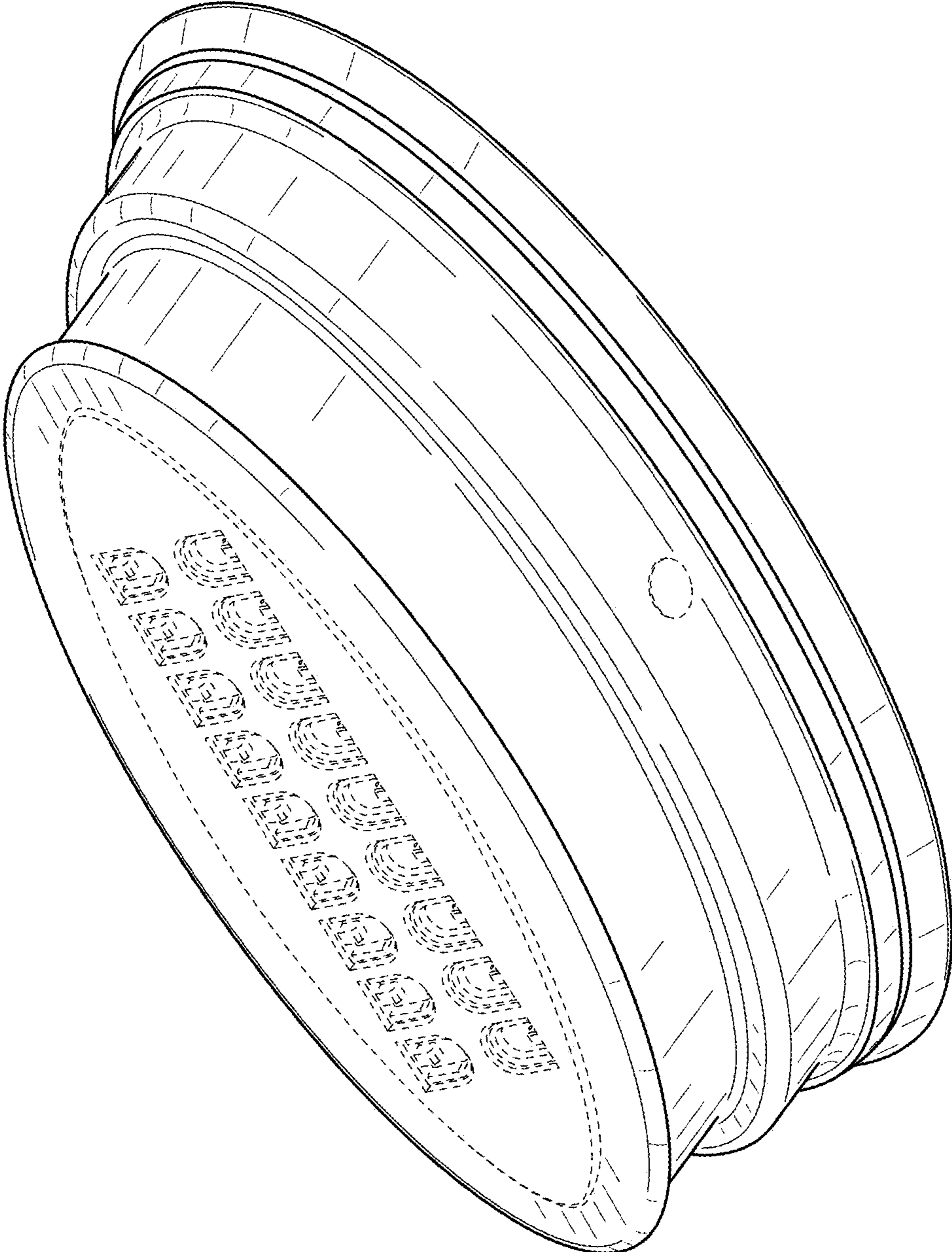


FIG. 18

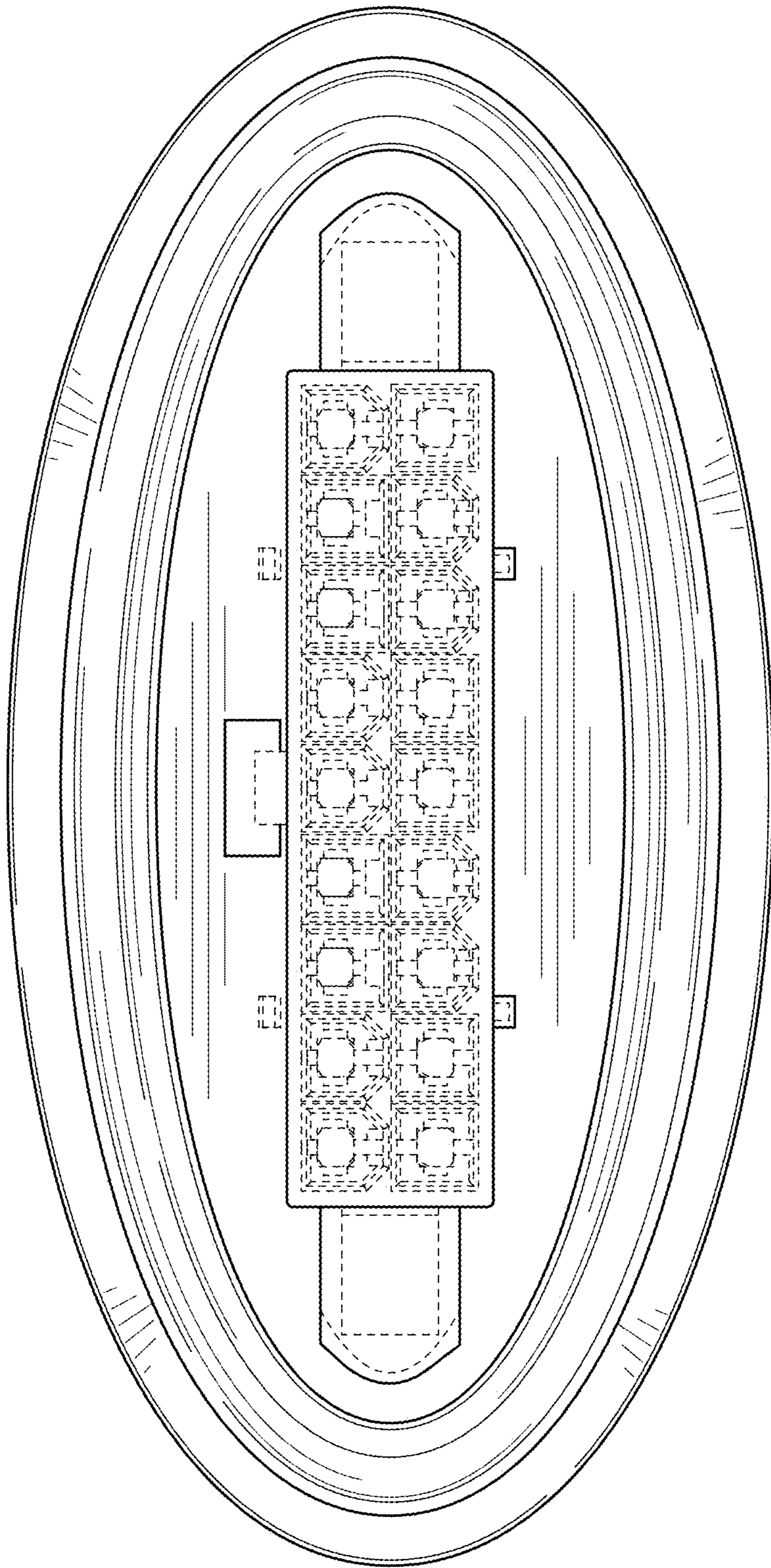


FIG. 19

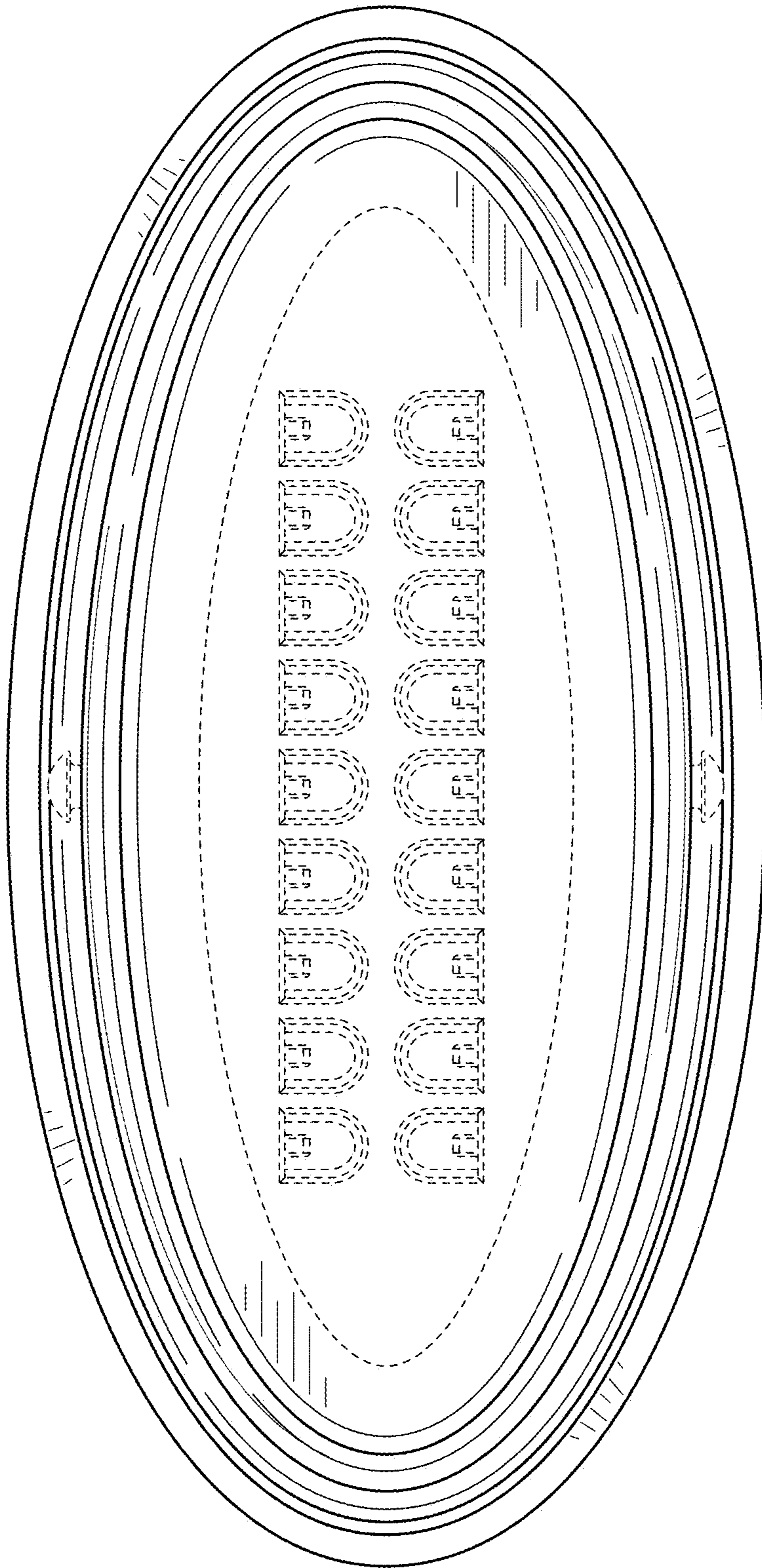


FIG. 20

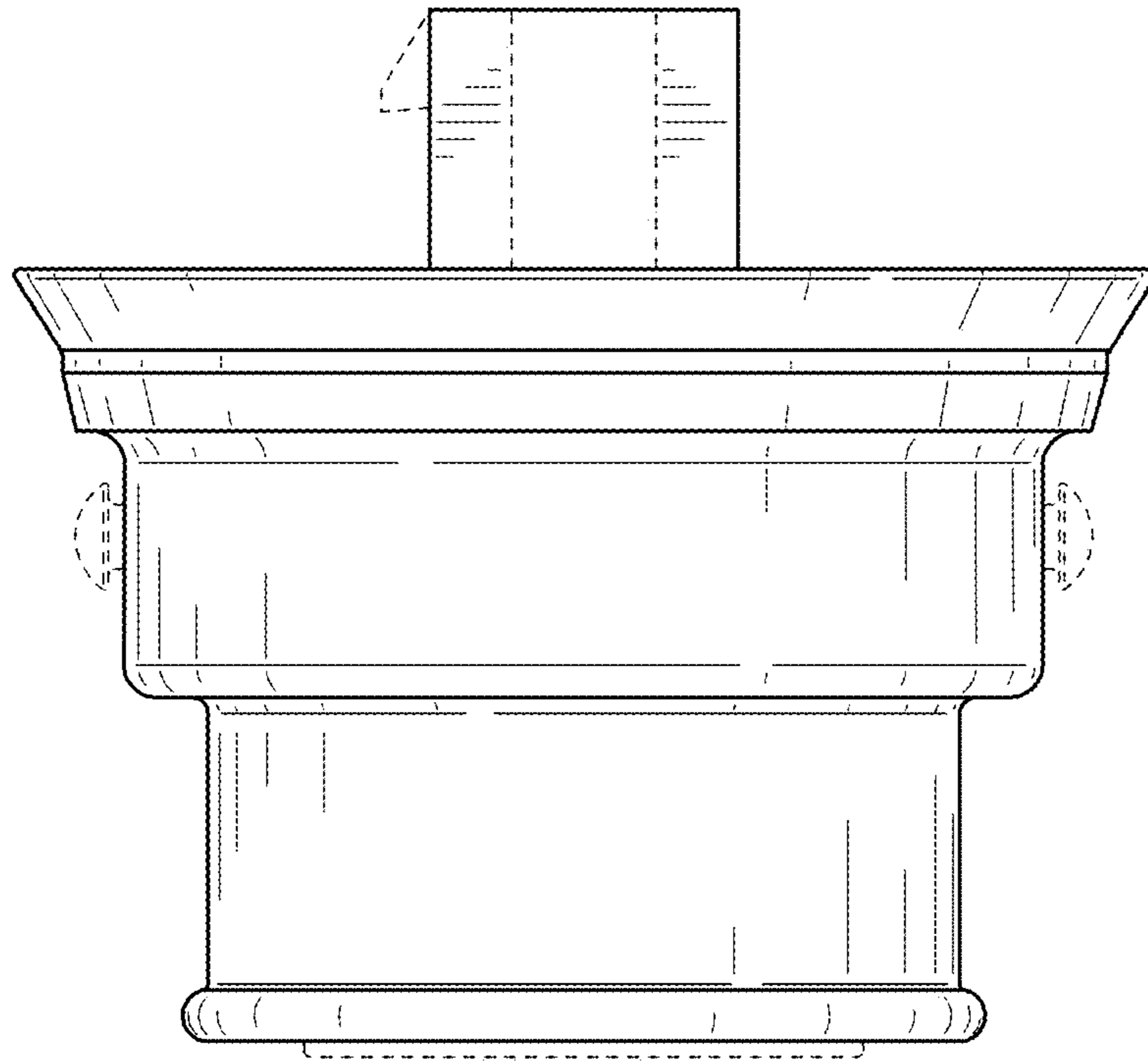


FIG. 22

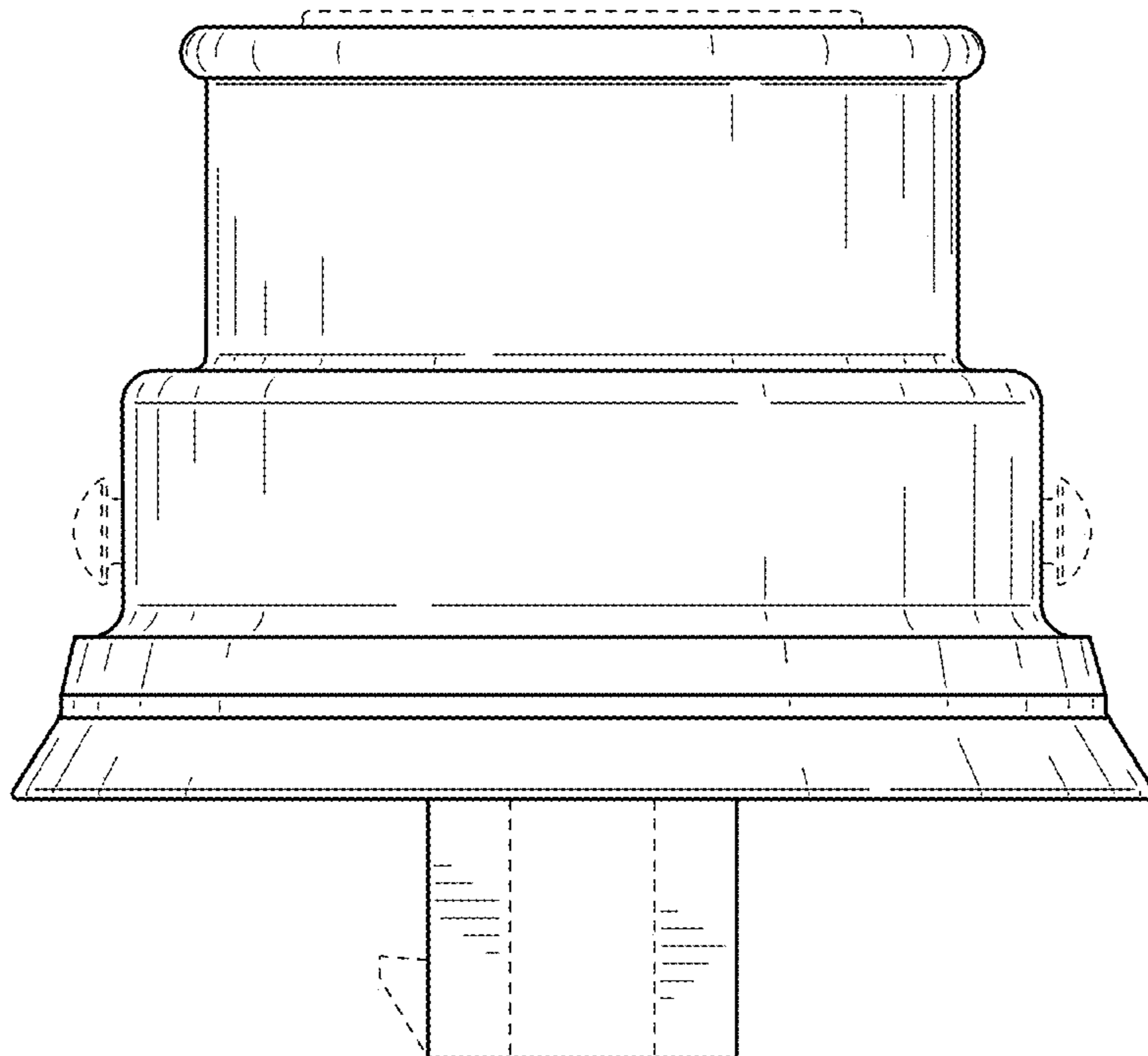


FIG. 21

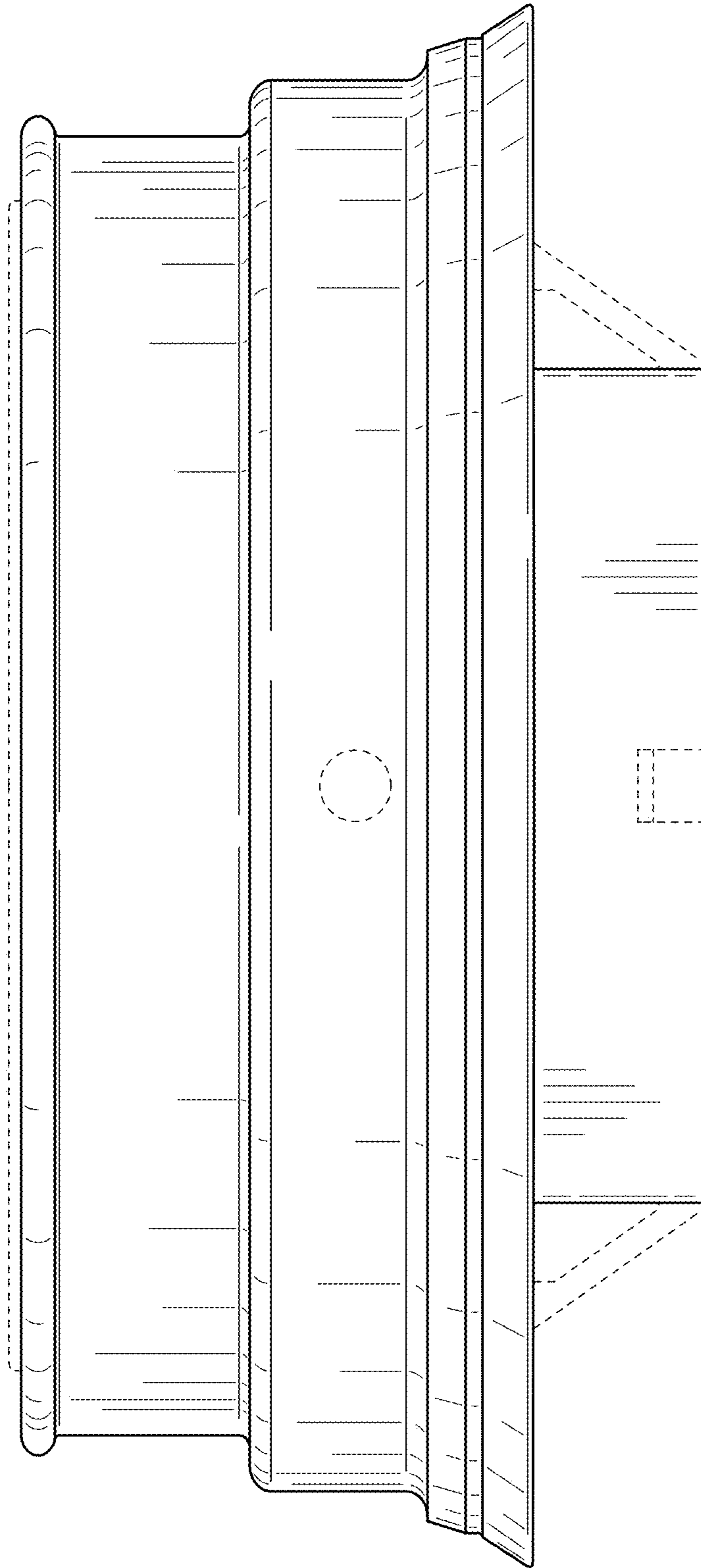


FIG. 23

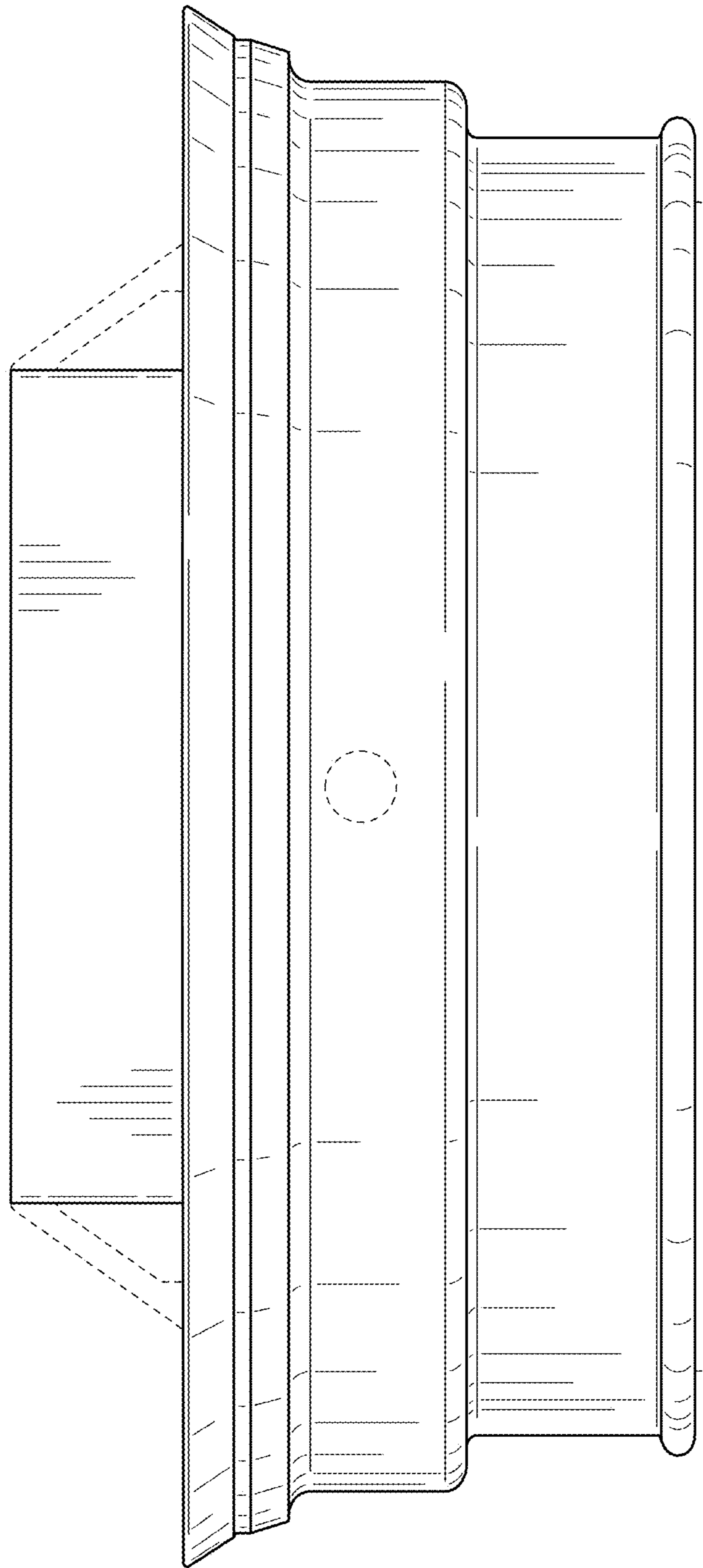


FIG. 24