



US00D936011S

(12) **United States Design Patent** (10) **Patent No.:** **US D936,011 S**
Martins et al. (45) **Date of Patent:** **** Nov. 16, 2021**

(54) **ELECTRICAL TERMINAL** 8,496,503 B2 * 7/2013 Lamoureux H01R 13/111
 439/860
 (71) Applicant: **Aptiv Technologies Limited**, St. Michael (BB) 9,925,611 B2 3/2018 Mackin et al.
 9,967,967 B2 5/2018 Schmalbuch et al.
 D822,475 S * 7/2018 Golnik D8/395
 (72) Inventors: **David B. Martins**, Fall River, MA 10,680,370 B1 * 6/2020 Martins H01R 11/282
 (US); **Marco M. Lucci**, Cranston, RI D907,584 S * 1/2021 Mizutani D13/154
 (US); **Tyler Folger**, Warren, RI (US) 2002/0022410 A1 * 2/2002 Krause H01R 11/286
 439/772
 2016/0099510 A1 * 4/2016 Trafton H01B 7/0036
 174/74 R

(73) Assignee: **Aptiv Technologies Limited**

(**) Term: **15 Years**

(21) Appl. No.: **29/723,336**

(22) Filed: **Feb. 6, 2020**

(51) **LOC (13) Cl.** **13-02**

(52) **U.S. Cl.**
USPC **D13/120**

(58) **Field of Classification Search**
USPC D8/395; D13/102-106, 110, 119-121,
D13/184, 199
CPC H01R 11/24; H01R 11/281; H01R 11/282;
H01R 11/286
See application file for complete search history.

(56) **References Cited**

U.S. PATENT DOCUMENTS

4,024,953 A * 5/1977 Nailor, III H01R 11/289
 206/344
 6,267,630 B1 7/2001 Machado
 6,406,337 B1 6/2002 Machado
 6,475,043 B2 * 11/2002 Pereira H01R 43/0235
 439/876

* cited by examiner

Primary Examiner — Jennifer O King

(74) *Attorney, Agent, or Firm* — Billion & Armitage

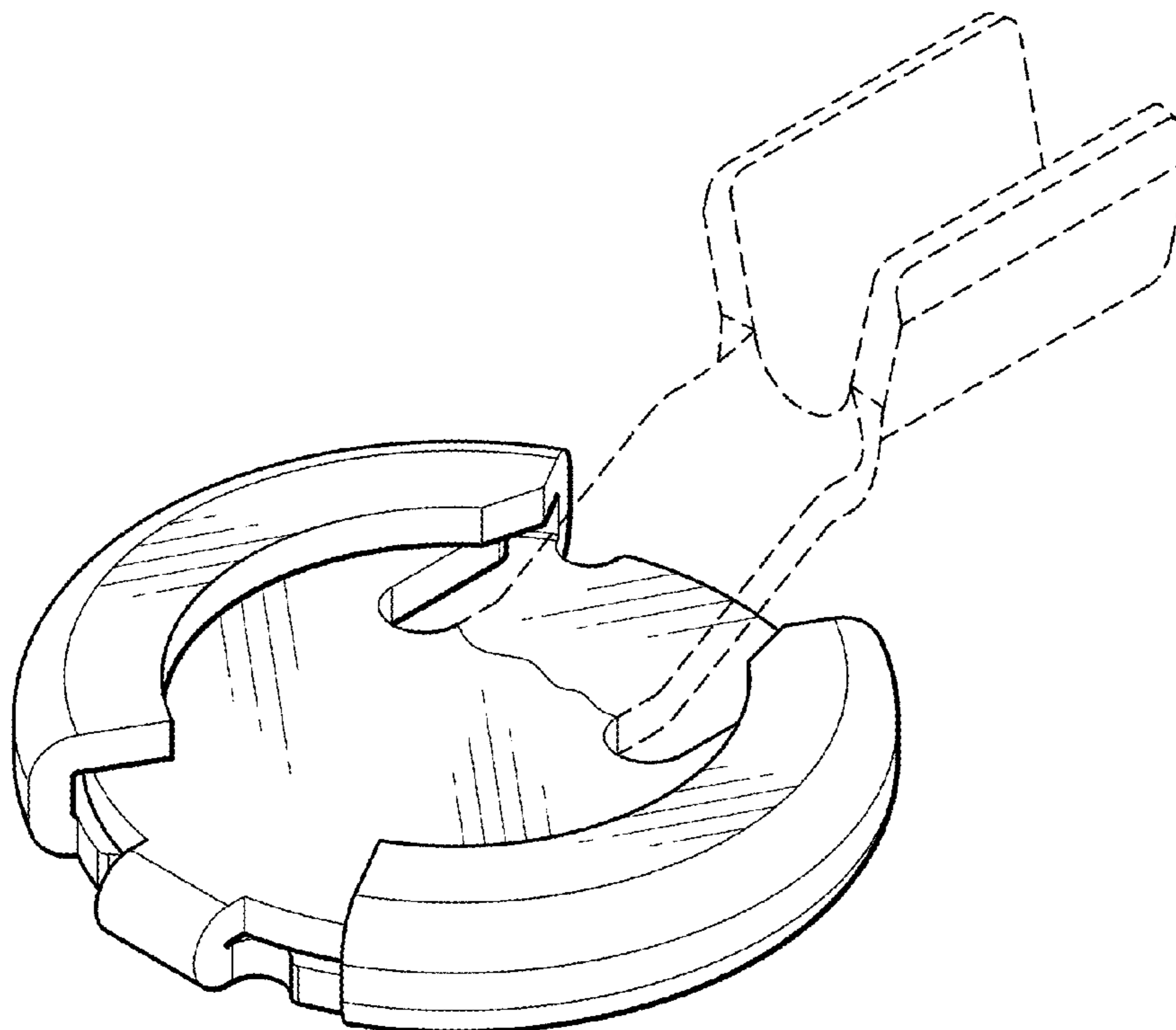
(57) **CLAIM**

We claim the ornamental design for an electrical terminal, as shown and described.

DESCRIPTION

FIG. 1 is a top perspective view of the electrical terminal;
 FIG. 2 is a bottom perspective view thereof;
 FIG. 3 is a top plan elevation view thereof;
 FIG. 4 is a right side elevation view thereof;
 FIG. 5 is a bottom plan view thereof;
 FIG. 6 is a left side elevation view thereof;
 FIG. 7 is a front elevation view thereof; and,
 FIG. 8 is a rear elevation view thereof.
 The broken lines illustrate portions of the electrical terminal that form no part of the claimed design.

1 Claim, 4 Drawing Sheets



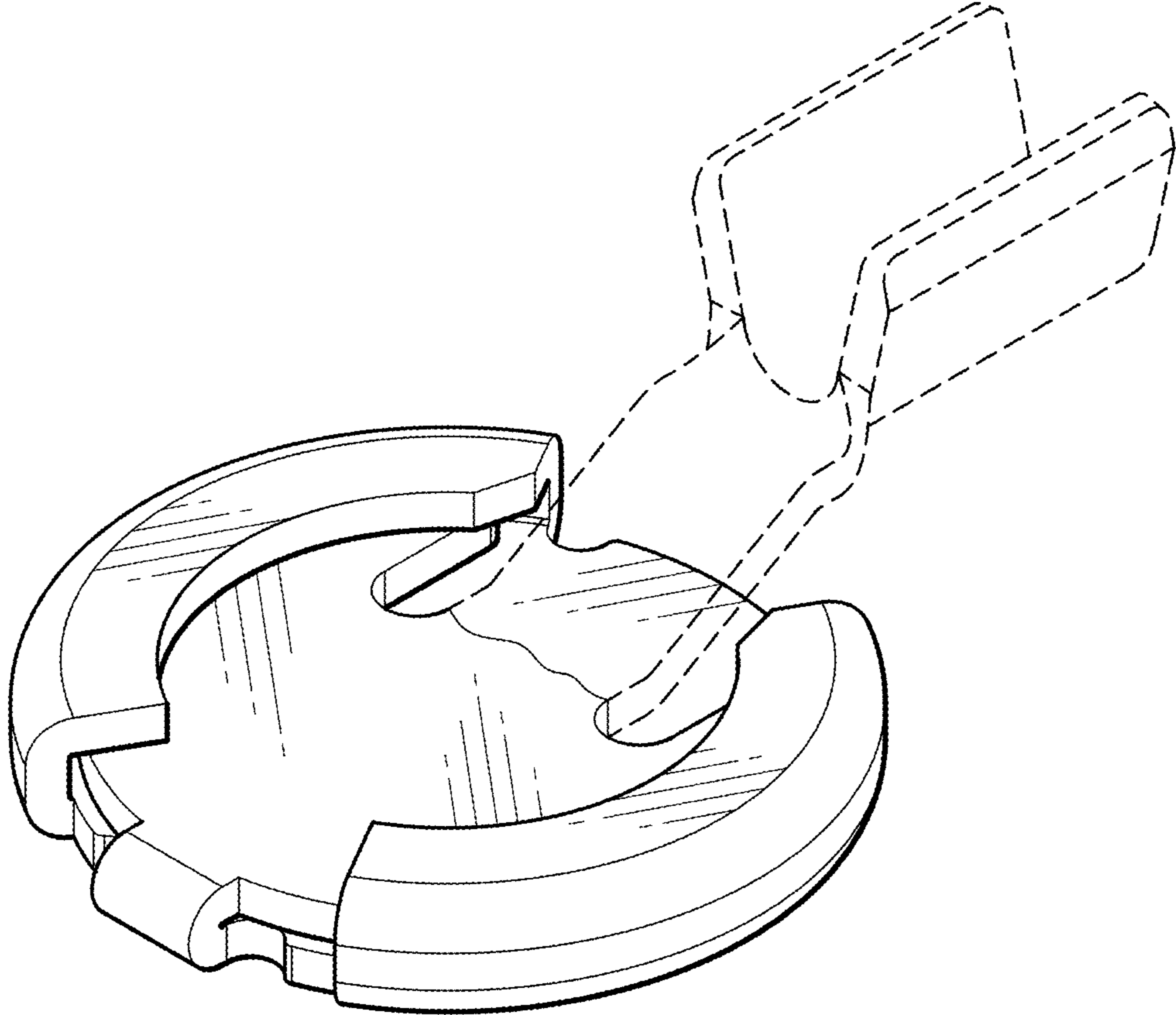


FIG. 1

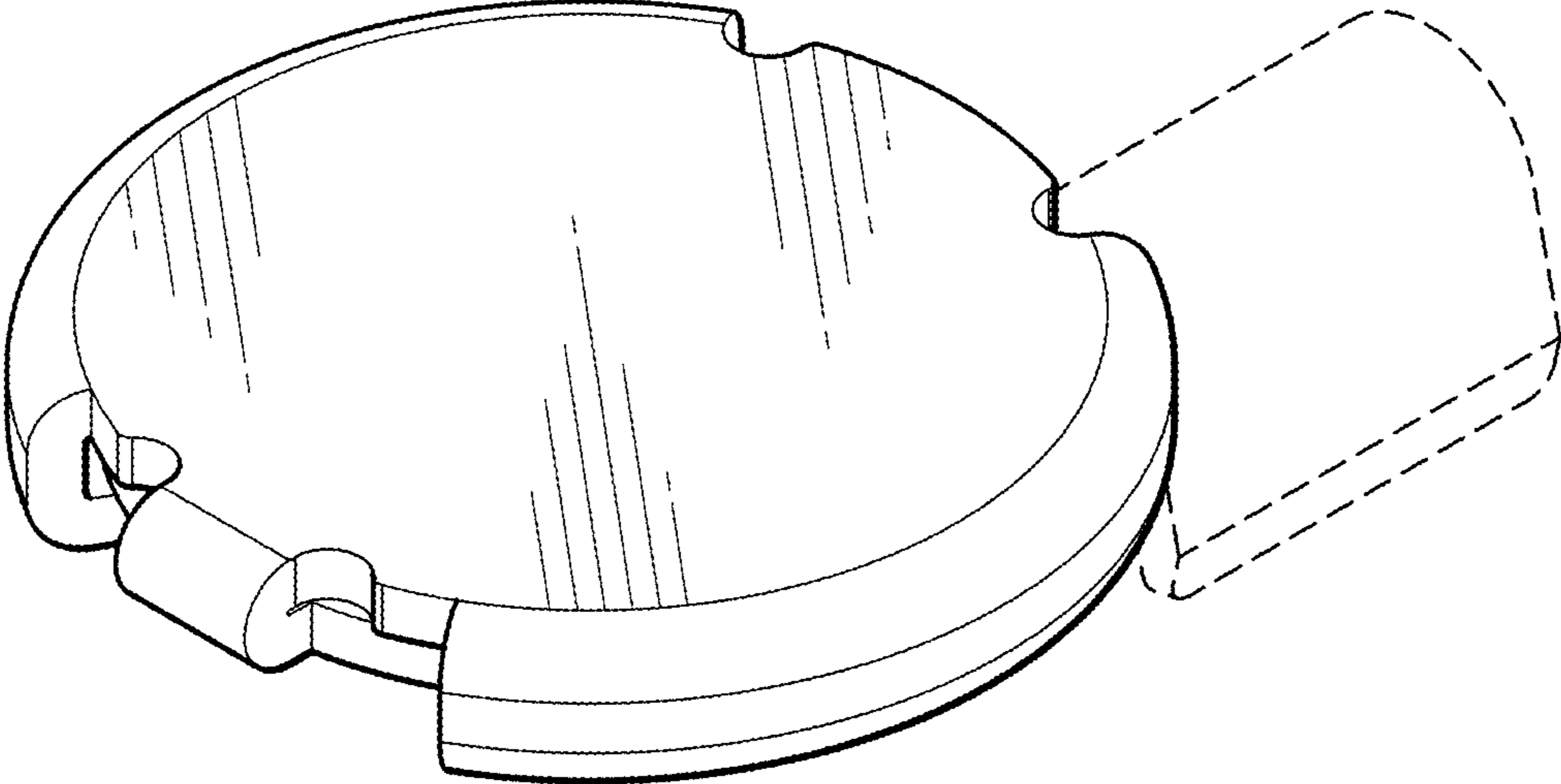


FIG. 2

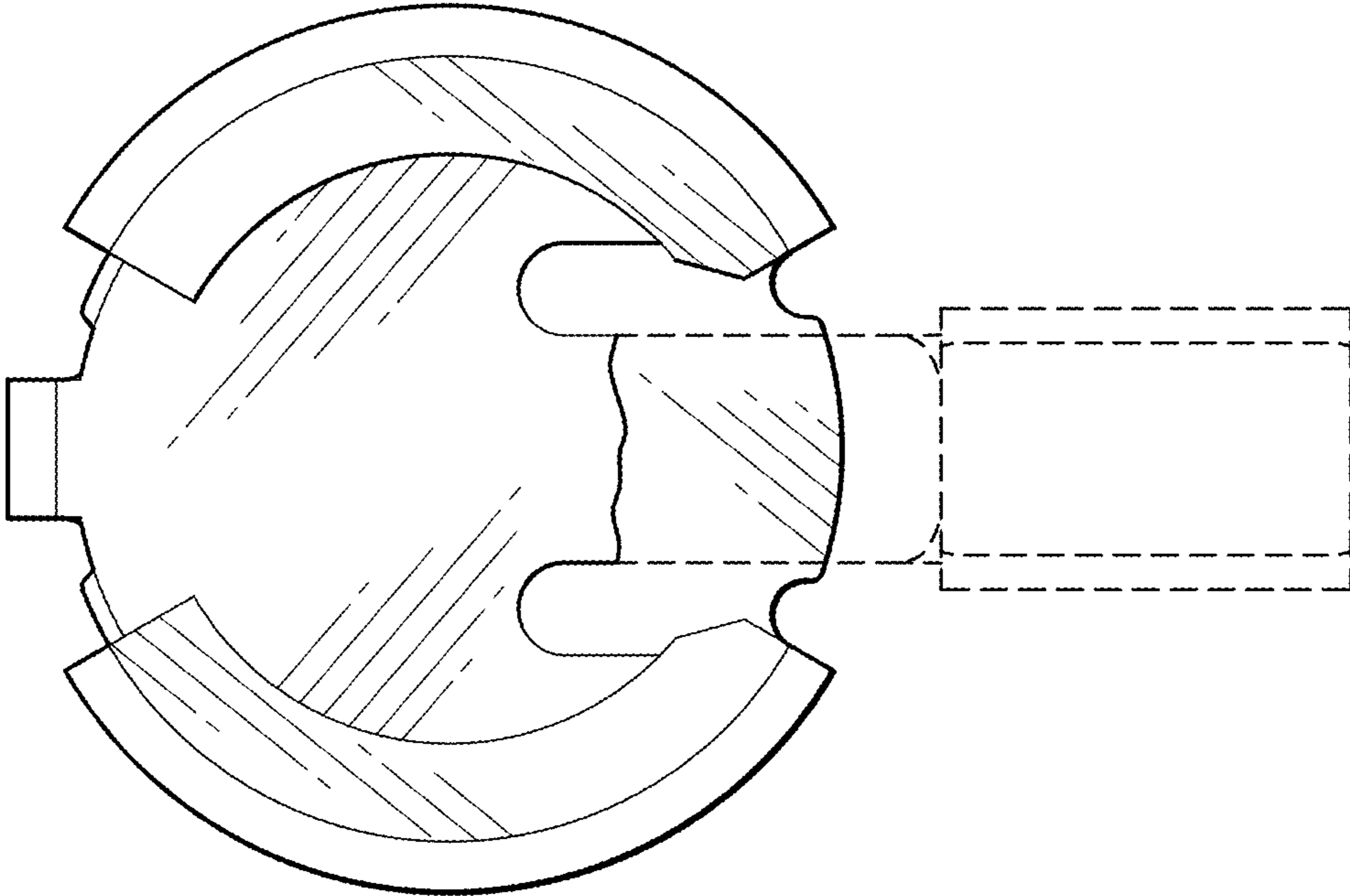


FIG. 3

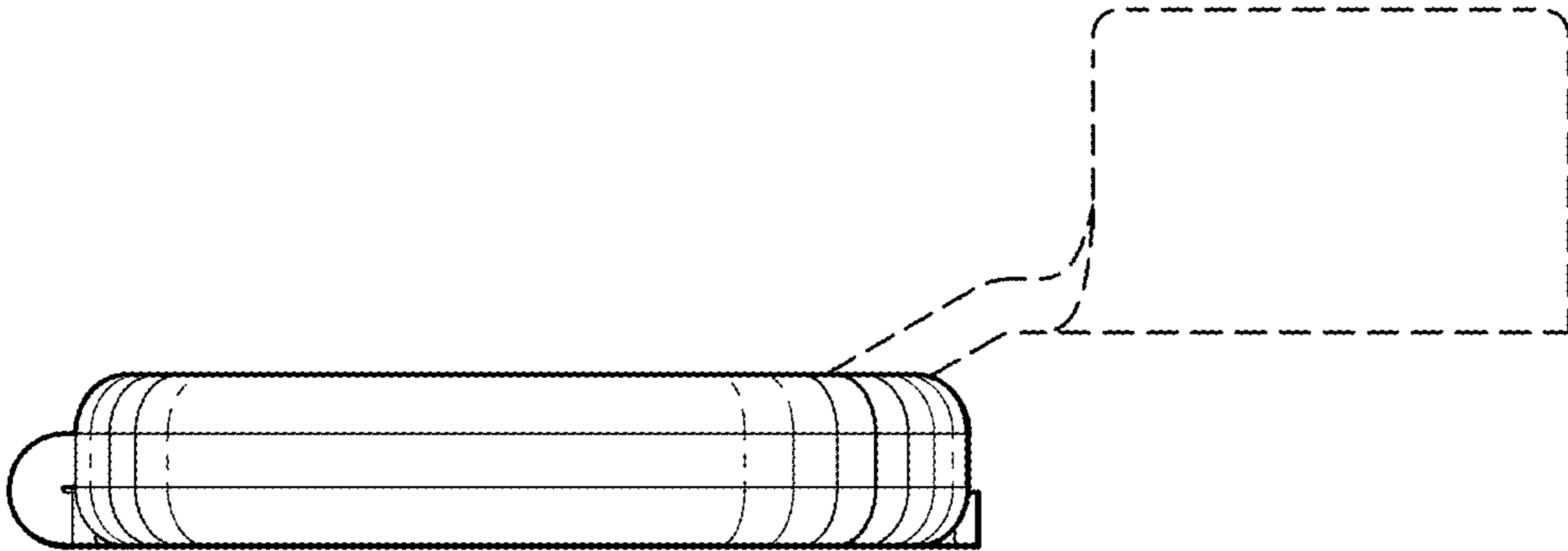


FIG. 4

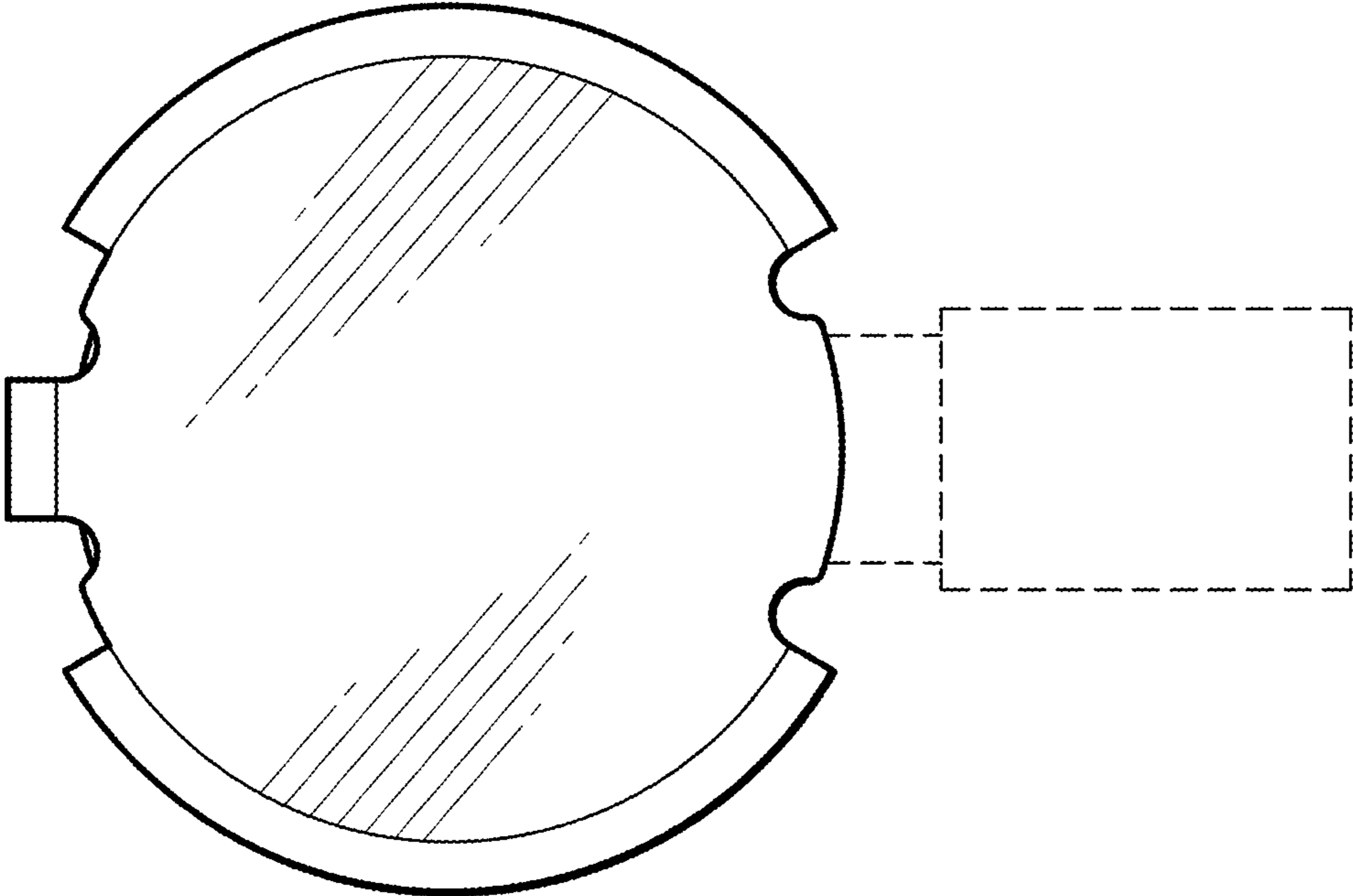


FIG. 5

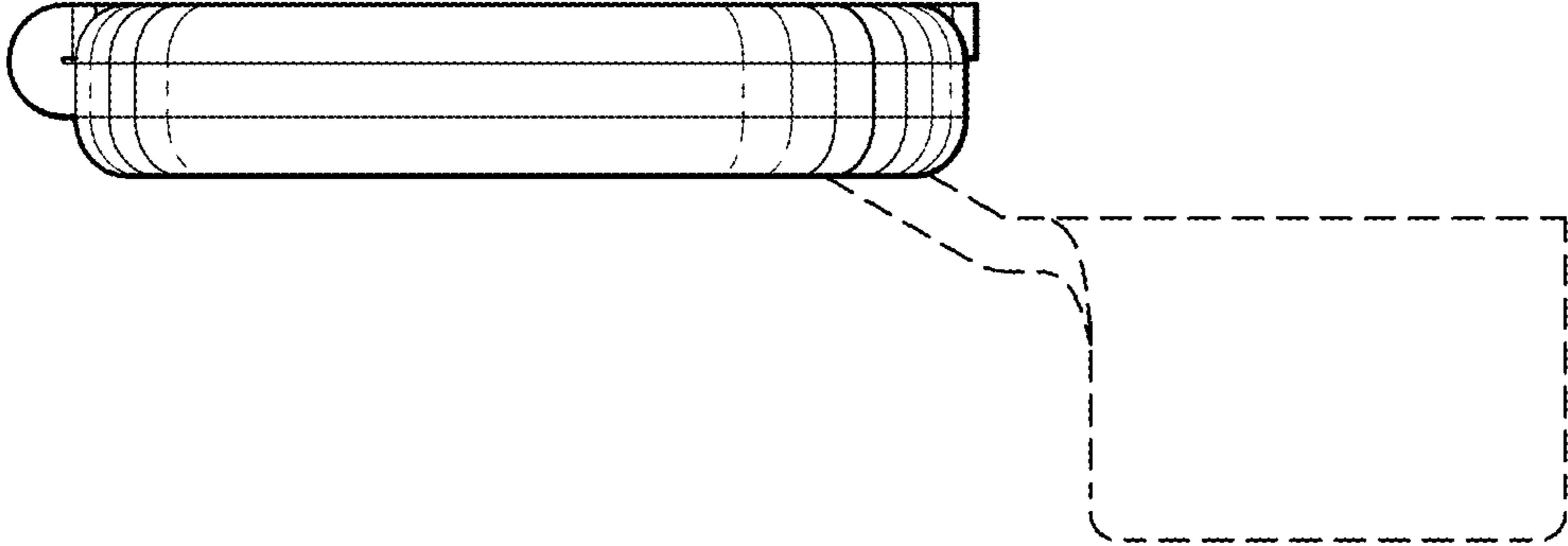


FIG. 6

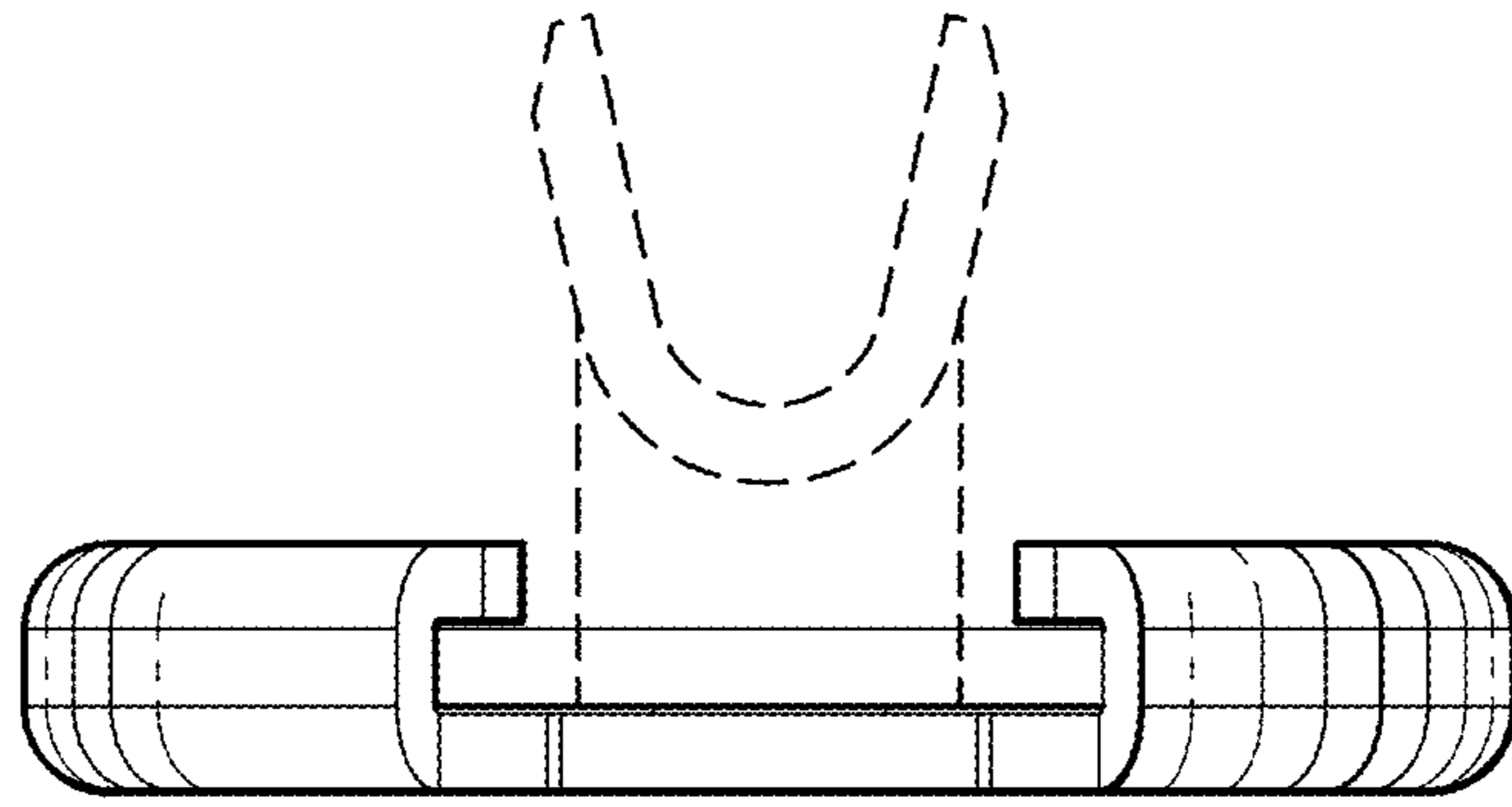


FIG. 7

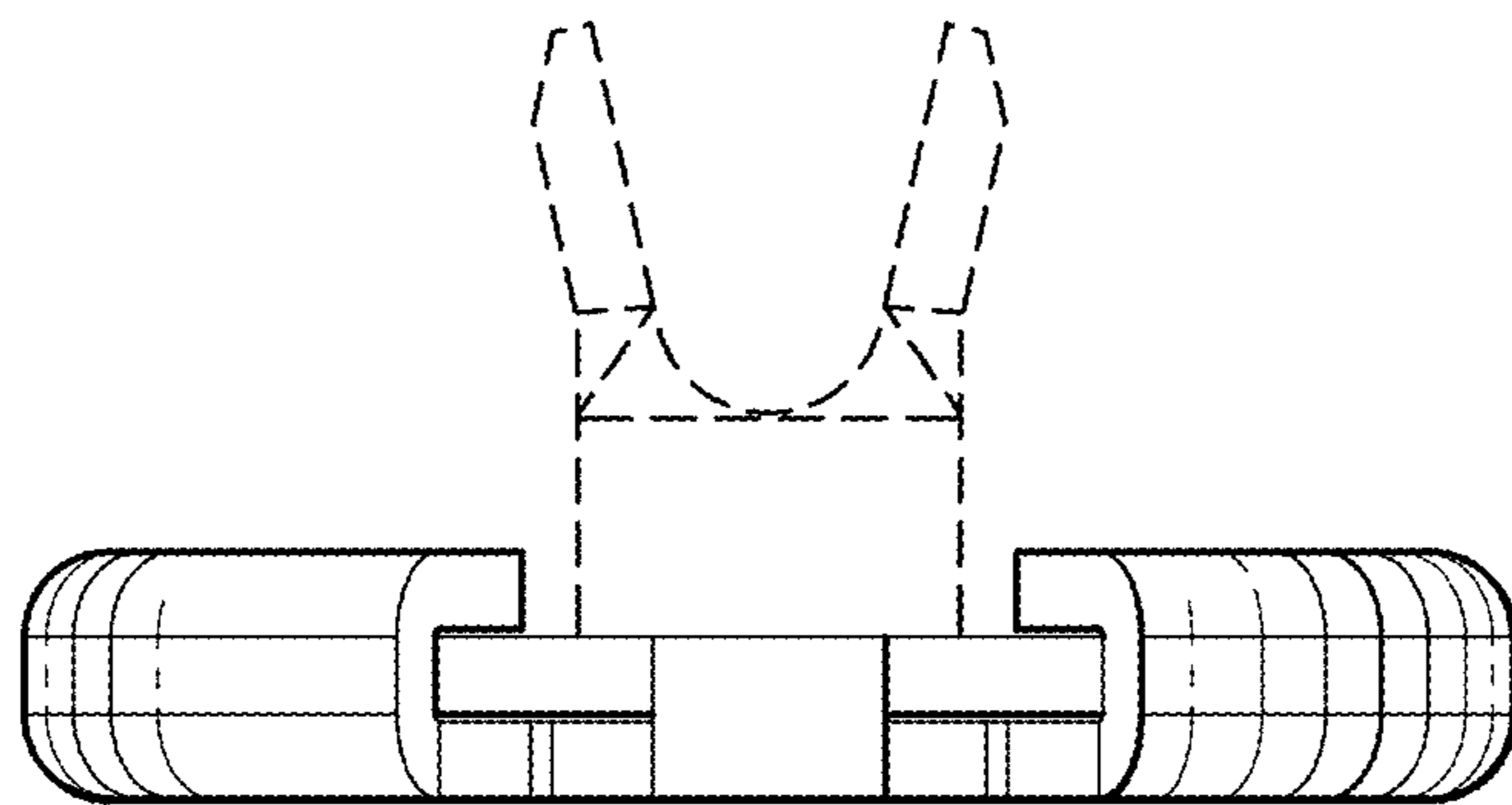


FIG. 8