



US00D936009S

(12) **United States Design Patent** (10) **Patent No.:** **US D936,009 S**
König et al. (45) **Date of Patent:** **** Nov. 16, 2021**

(54) **ELECTRIC MOTOR**
(71) Applicant: **Siemens Aktiengesellschaft**, Munich (DE)
(72) Inventors: **Martin König**, Fladungen (DE); **Tobias Wehner**, Zahlbach (DE); **Martin Winter**, Bad Bocklet (DE)
(73) Assignee: **Siemens Aktiengesellschaft**, Munich (DE)

D234,429 S * 3/1975 Hershberger D13/122
D236,005 S * 7/1975 Baumann D13/114
D236,985 S * 9/1975 Baumann D13/114
D245,499 S * 8/1977 Andreas D13/112
D336,890 S * 6/1993 Hirose D13/112
D405,096 S * 2/1999 Dudeck D15/7
5,885,102 A * 3/1999 Harting H02K 5/225
439/527
D410,659 S * 6/1999 Lannoch D15/148
D425,020 S * 5/2000 Becker D13/114

(Continued)

(**) Term: **15 Years**

(21) Appl. No.: **29/750,617**

(22) Filed: **Sep. 15, 2020**

Related U.S. Application Data

(62) Division of application No. 29/674,585, filed on Dec. 21, 2018, now Pat. No. Des. 918,141.

(30) **Foreign Application Priority Data**

Jun. 22, 2018 (EM) 005321791

(51) **LOC (13) Cl.** **13-01**

(52) **U.S. Cl.**
USPC **D13/112**

(58) **Field of Classification Search**

USPC D15/1-5, 148; D13/112-114, 122, 184
CPC B60L 9/00; B60L 9/02; B60L 9/16; B60L 9/32; B60L 9/005; B60L 1/00; B60L 58/12; H02K 1/82; H02K 26/00; H02K 5/22; H02K 5/18; H02K 11/00; H02K 15/00; H02K 15/14; H02K 15/16; H02K 19/06; H02K 9/00; H02K 3/50; H02K 1/16; H02K 5/161

See application file for complete search history.

(56) **References Cited**

U.S. PATENT DOCUMENTS

D207,401 S * 4/1967 Andrews D13/114
D217,674 S * 5/1970 Jaeschke D13/122

OTHER PUBLICATIONS

Siemens Corporation, New Simotics XP Motors Meet IE3 Efficiency Ratings, (published Apr. 21, 2018), Thomasnet.com, URL:<<https://news.thomasnet.com/fullstory/new-simotics-xp-motors-meet-ie3-efficiency-ratings-40011213>> (Year: 2018).*

Primary Examiner — Sheryl Lane

Assistant Examiner — Mark T. Philipps

(74) *Attorney, Agent, or Firm* — Henry M. Feiereisen LLC

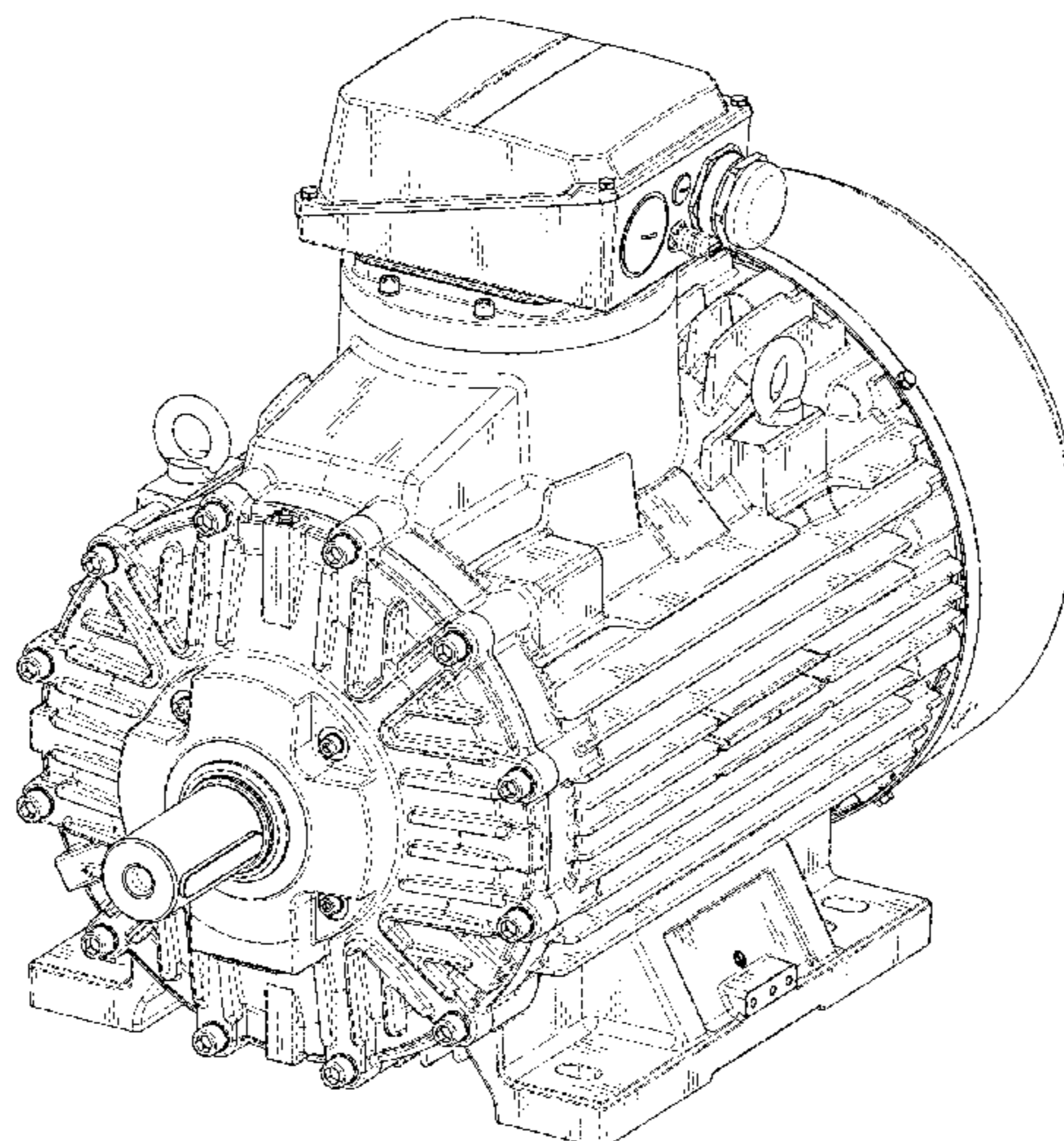
(57) **CLAIM**

The ornamental design for an electric motor, as shown and described.

DESCRIPTION

FIG. 1 is a front view of an electric motor, showing our new design;
FIG. 2 is a rear view thereof;
FIG. 3 is a top view thereof;
FIG. 4 is a bottom view thereof;
FIG. 5 is a right side view thereof;
FIG. 6 is a left side view thereof; and,
FIG. 7 is a top, front and right side perspective view thereof.
The broken lines represent a portion of an electric motor and form no part of the claimed design.

1 Claim, 7 Drawing Sheets



(56)

References Cited

U.S. PATENT DOCUMENTS

D431,572 S *	10/2000	Antony	D15/5	D794,563 S *	8/2017	Matta	D13/114
D568,811 S *	5/2008	Andersson	D13/112	D801,925 S *	11/2017	Andersson	D13/112
D568,812 S *	5/2008	Andersson	D13/112	D812,105 S *	3/2018	Agostini	D15/7
D576,548 S *	9/2008	Andersson	D13/112	D813,165 S *	3/2018	Grillenberger	D13/112
D576,941 S *	9/2008	Evon	D13/112	D817,877 S *	5/2018	Grillenberger	D13/112
D577,670 S *	9/2008	Oohashi	D13/113	D835,039 S *	12/2018	Grillenberger	D13/112
D593,943 S *	6/2009	Lannoch	D13/112	D845,236 S *	4/2019	Grillenberger	D13/112
D618,615 S *	6/2010	Basic	D13/114	10,267,364 B2 *	4/2019	Niedermeyer	F16C 33/6666
7,965,005 B2 *	6/2011	Schmidt	H02K 5/06	D857,628 S *	8/2019	Chen	D13/112
				310/71	D877,200 S *	3/2020	Melde	D15/5
8,278,790 B2 *	10/2012	Rueggen	H02K 11/33	D896,755 S *	9/2020	Andersson	D13/112
				310/68 D	D898,670 S *	10/2020	Andersson	D13/112
D678,194 S *	3/2013	Lannoch	D13/112	2006/0055254 A1 *	3/2006	Pellegrino	H02K 17/16
D688,627 S *	8/2013	Veeh	D13/112					310/58
D707,629 S *	6/2014	Cocks	D13/122	2013/0106217 A1 *	5/2013	Drye	H02K 9/14
D713,338 S *	9/2014	Lannoch	D13/112					310/89
D769,191 S *	10/2016	Vohlgemuth	D13/114	2014/0140872 A1 *	5/2014	Stork	F04B 17/03
D772,814 S *	11/2016	Rivault	D13/114					417/410.1
					2017/0310192 A1 *	10/2017	Cezario	H02K 5/10
					2018/0358860 A1 *	12/2018	Major	H02K 5/10
					2019/0334408 A1 *	10/2019	Kato	H02K 3/345

* cited by examiner

FIG. 1

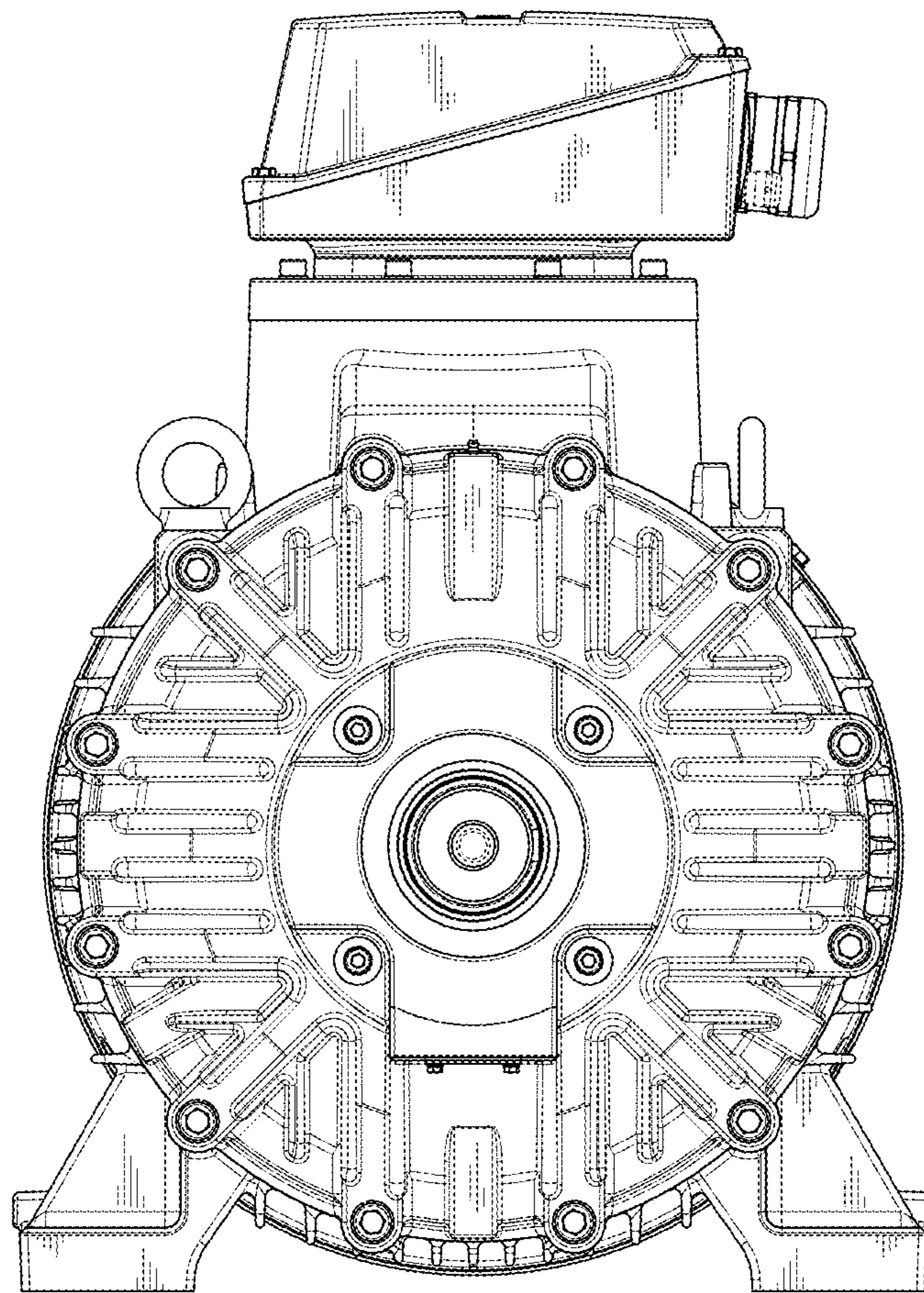


FIG. 2

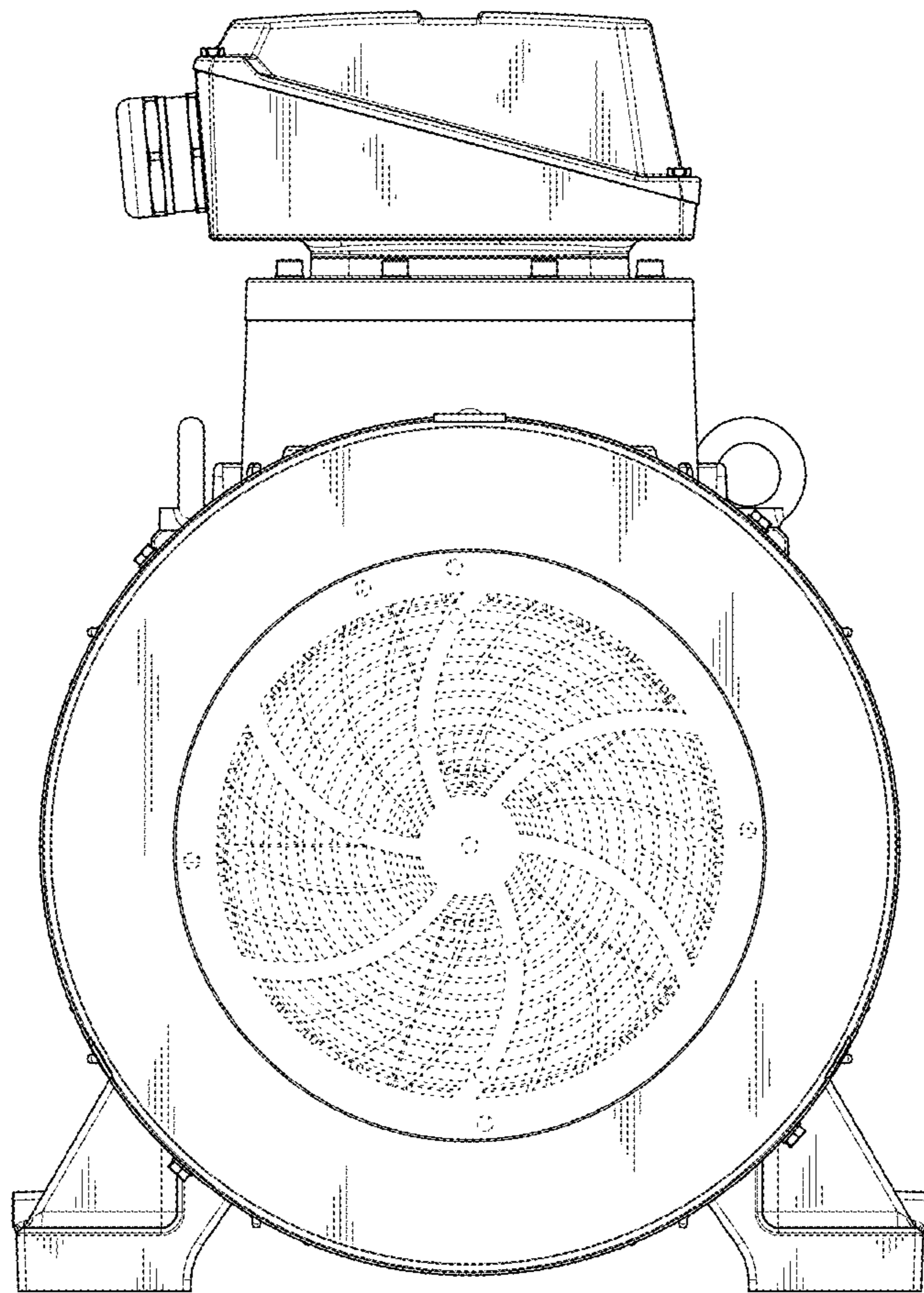


FIG. 3

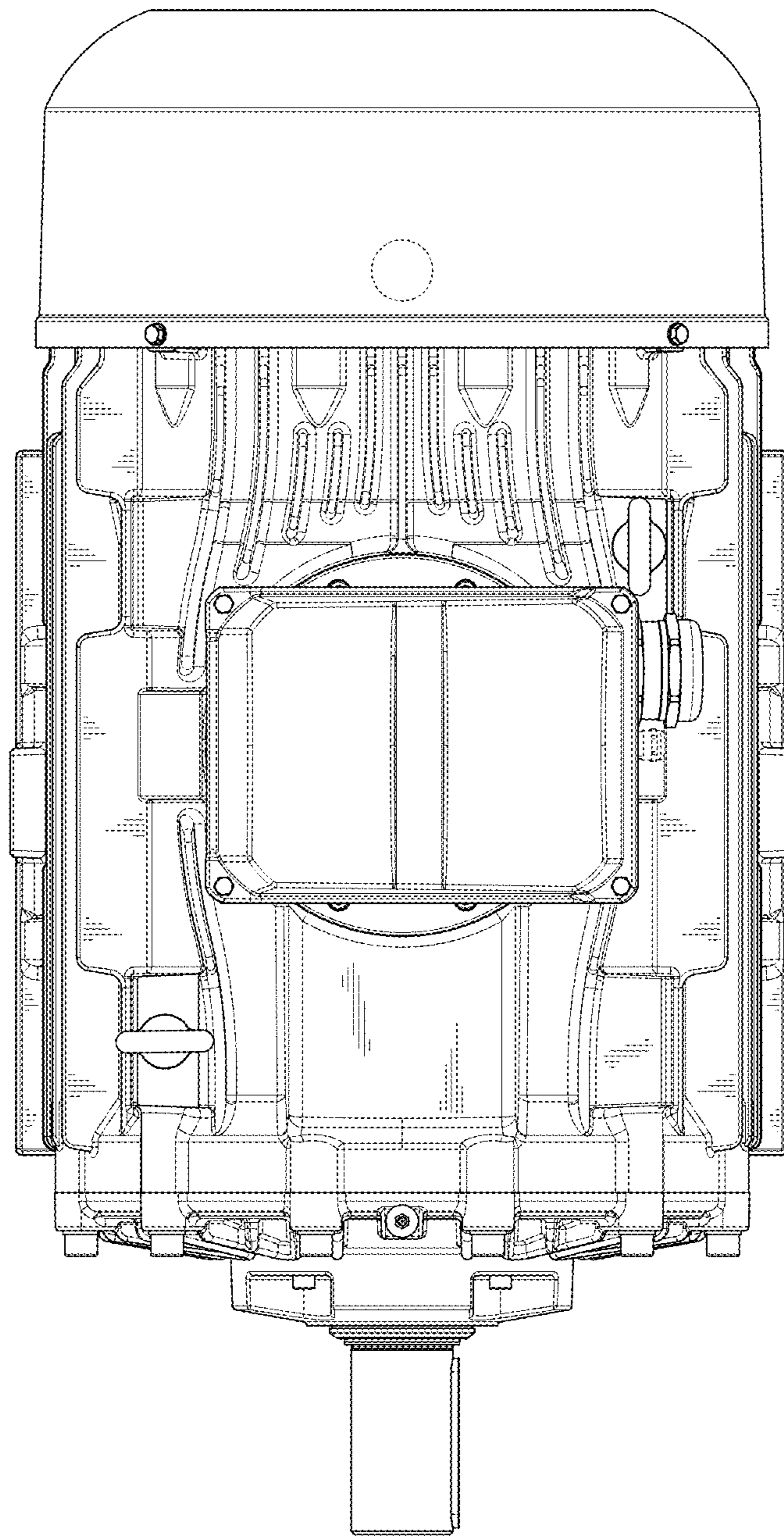


FIG. 4

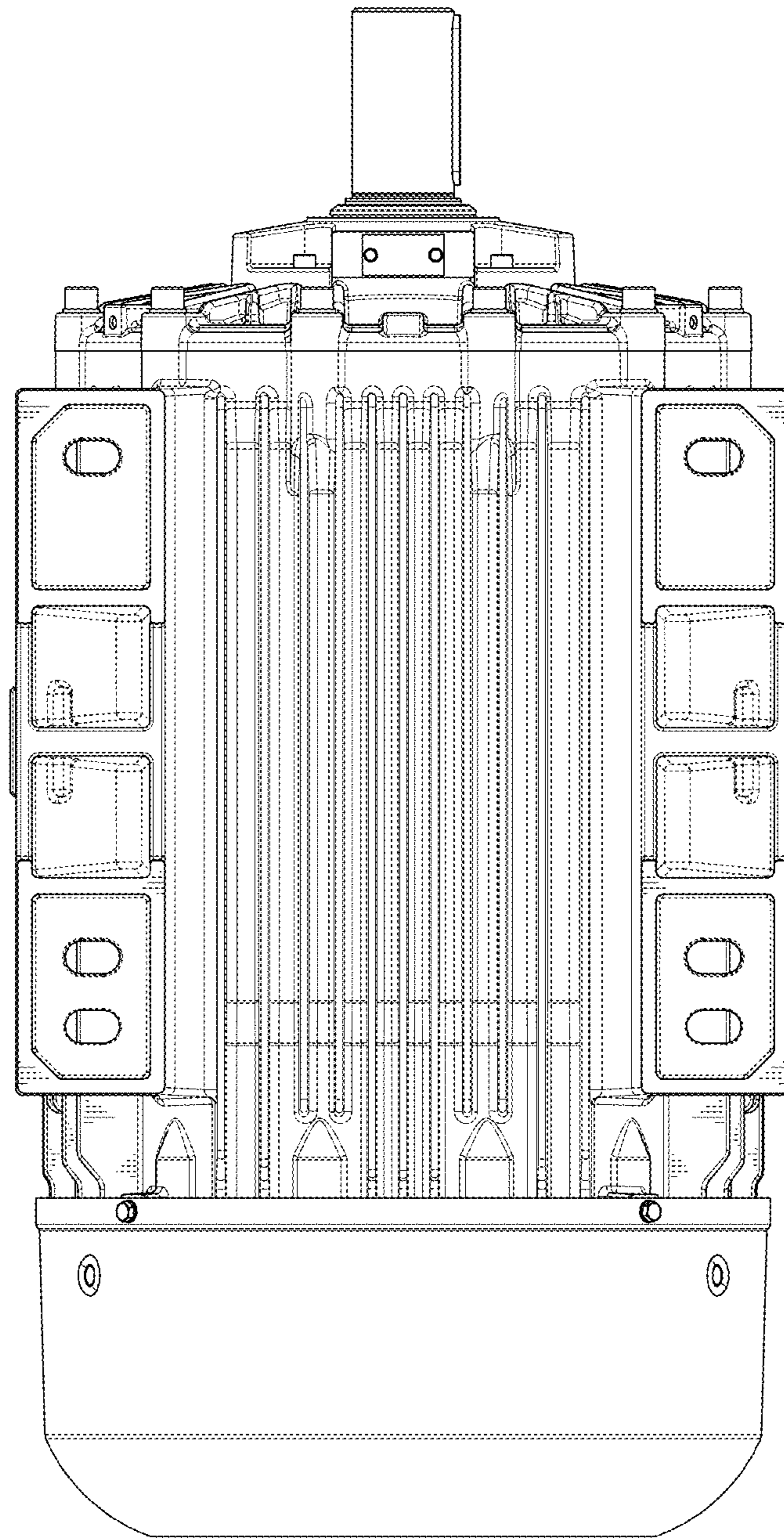


FIG. 5

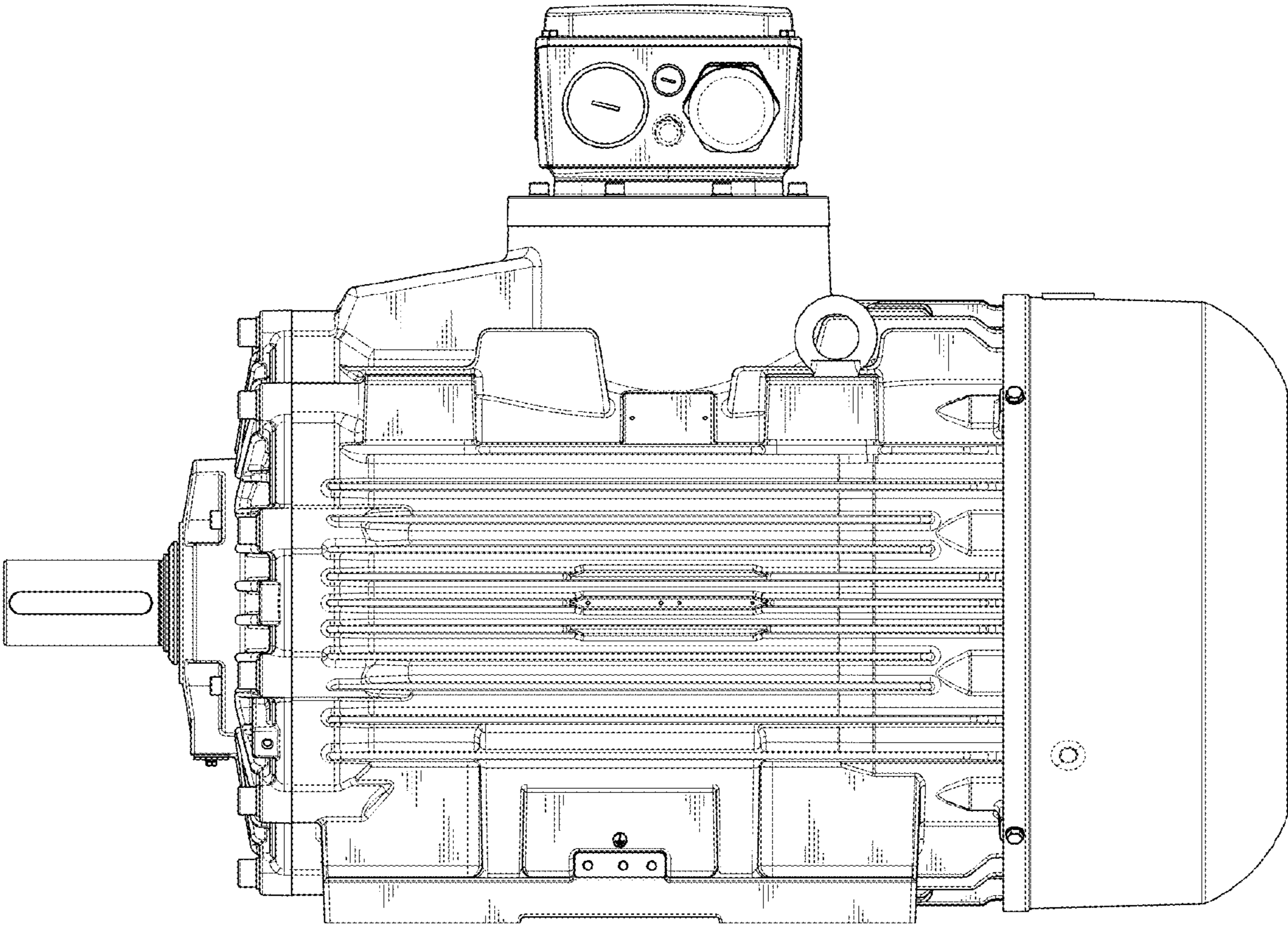


FIG. 6

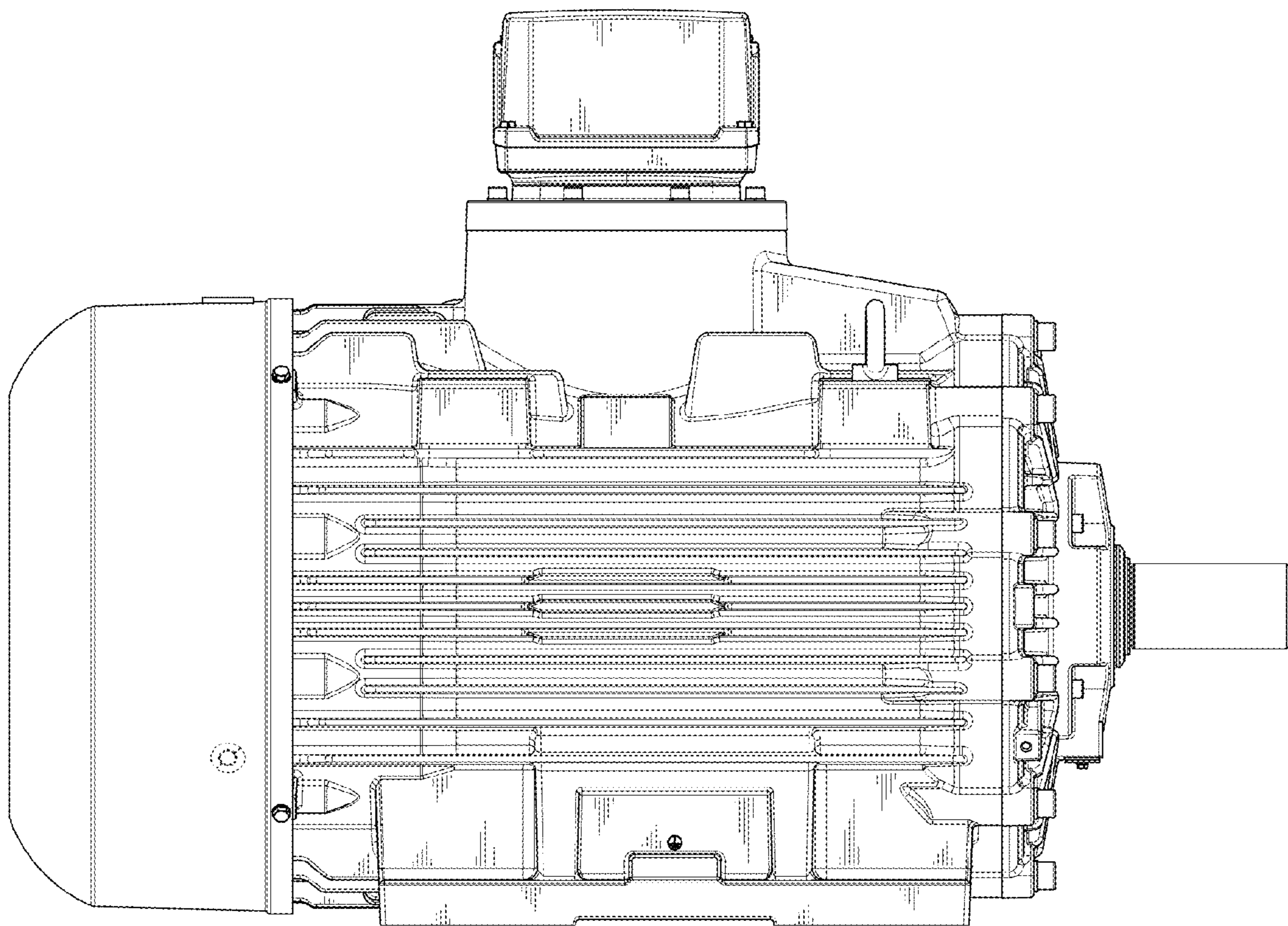


FIG. 7

