



US00D936008S

(12) **United States Design Patent**
Kisch et al.

(10) **Patent No.:** **US D936,008 S**

(45) **Date of Patent:** **** Nov. 16, 2021**

(54) **ELECTRIC MOTOR**

(71) Applicant: **ebm-papst St. Georgen GmbH & Co. KG**, St. Georgen (DE)

(72) Inventors: **Michael Kisch**, St. Georgen (DE); **Wilhelm Weisser**, Königsfeld/Buchenberg (DE); **Jochen Scheffczyk**, Villingen-Schwenningen (DE); **Hassan Ghodsi-Khameneh**, Offenburg (DE); **Daniel Hauer**, Ortenberg (DE); **Marcus Hellmann**, Unterkirnach (DE)

(73) Assignee: **ebm-papst St. Georgen GmbH & Co. KG**, St. Georgen (DE)

(**) Term: **15 Years**

(21) Appl. No.: **29/699,708**

(22) Filed: **Jul. 29, 2019**

(30) **Foreign Application Priority Data**

Jan. 30, 2019 (EM) 006123766-0001

(51) **LOC (13) Cl.** **13-01**

(52) **U.S. Cl.**
USPC **D13/112**

(58) **Field of Classification Search**
USPC D13/103, 107, 108, 110, 112, 113, 114, D13/117, 118, 119, 122, 184, 199; D15/1, 5
CPC H02K 11/00; H02K 15/16; H02K 11/0094
See application file for complete search history.

(56) **References Cited**

U.S. PATENT DOCUMENTS

D268,022 S * 2/1983 Lenz D13/122
D384,033 S * 9/1997 Takeda D13/114

5,767,596 A * 6/1998 Stark H02K 5/00 29/596
D401,553 S * 11/1998 Pearce D13/112
D462,937 S * 9/2002 Nord D13/112
D502,917 S * 3/2005 Bird D13/112
D577,670 S * 9/2008 Oohashi D13/113
D701,299 S * 3/2014 Oba D23/370
D806,650 S * 1/2018 Chang D13/112
D842,246 S * 3/2019 Gan D13/112
D883,928 S * 5/2020 Lust D13/112
2018/0048218 A1 * 2/2018 Im H02K 5/10

(Continued)

OTHER PUBLICATIONS

“Brushless Motor”. Found online Sep. 30, 2020 at propwashed.com. Reference dated Apr. 29, 2016. Retrieved from <https://www.propwashed.com/brushless-motor-buyers-guide/>. (Year: 2016).*

(Continued)

Primary Examiner — George D. Kirschbaum

Assistant Examiner — Amanda Christensen

(74) *Attorney, Agent, or Firm* — Harness, Dickey & Pierce, P.L.C.

(57) **CLAIM**

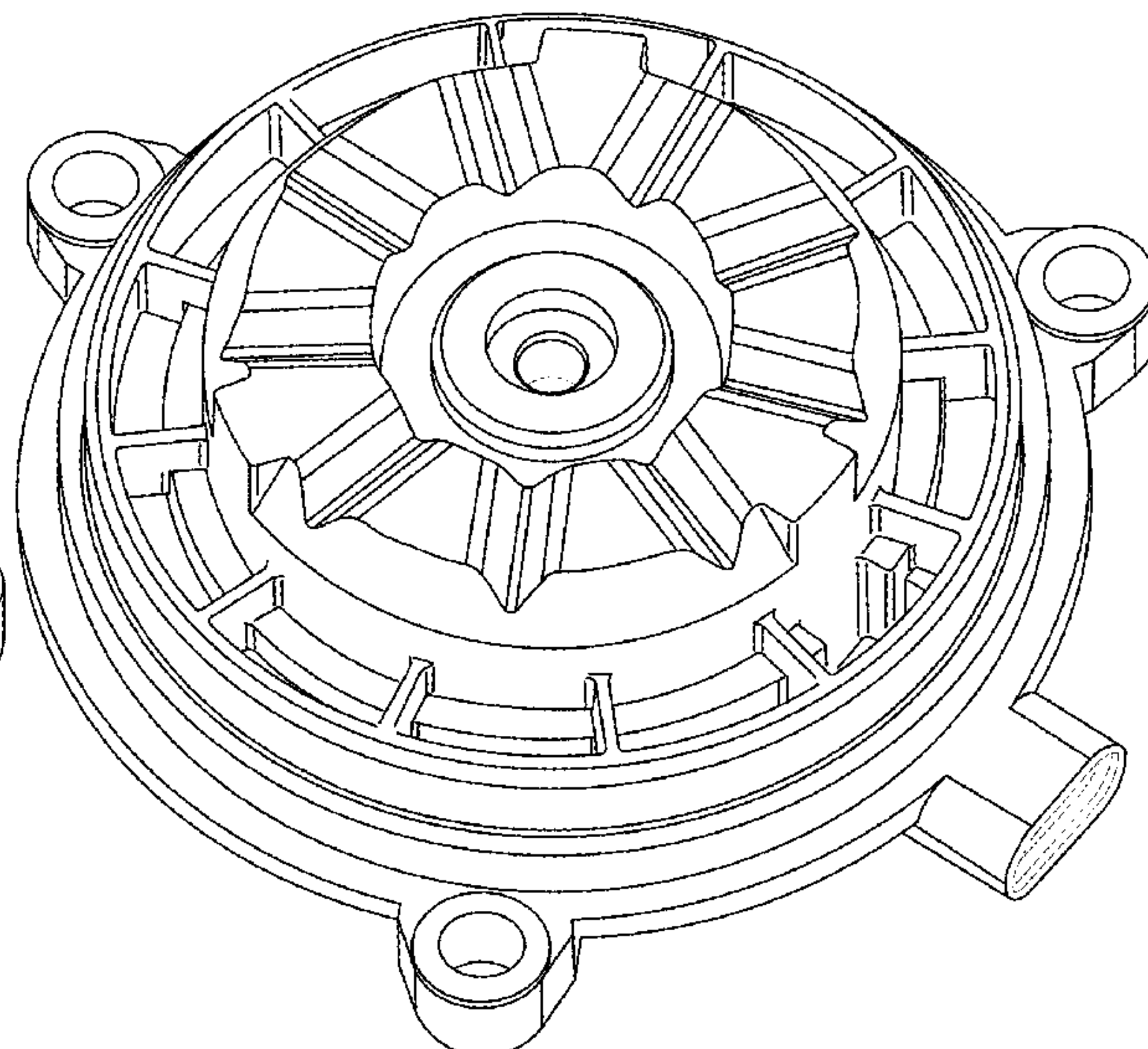
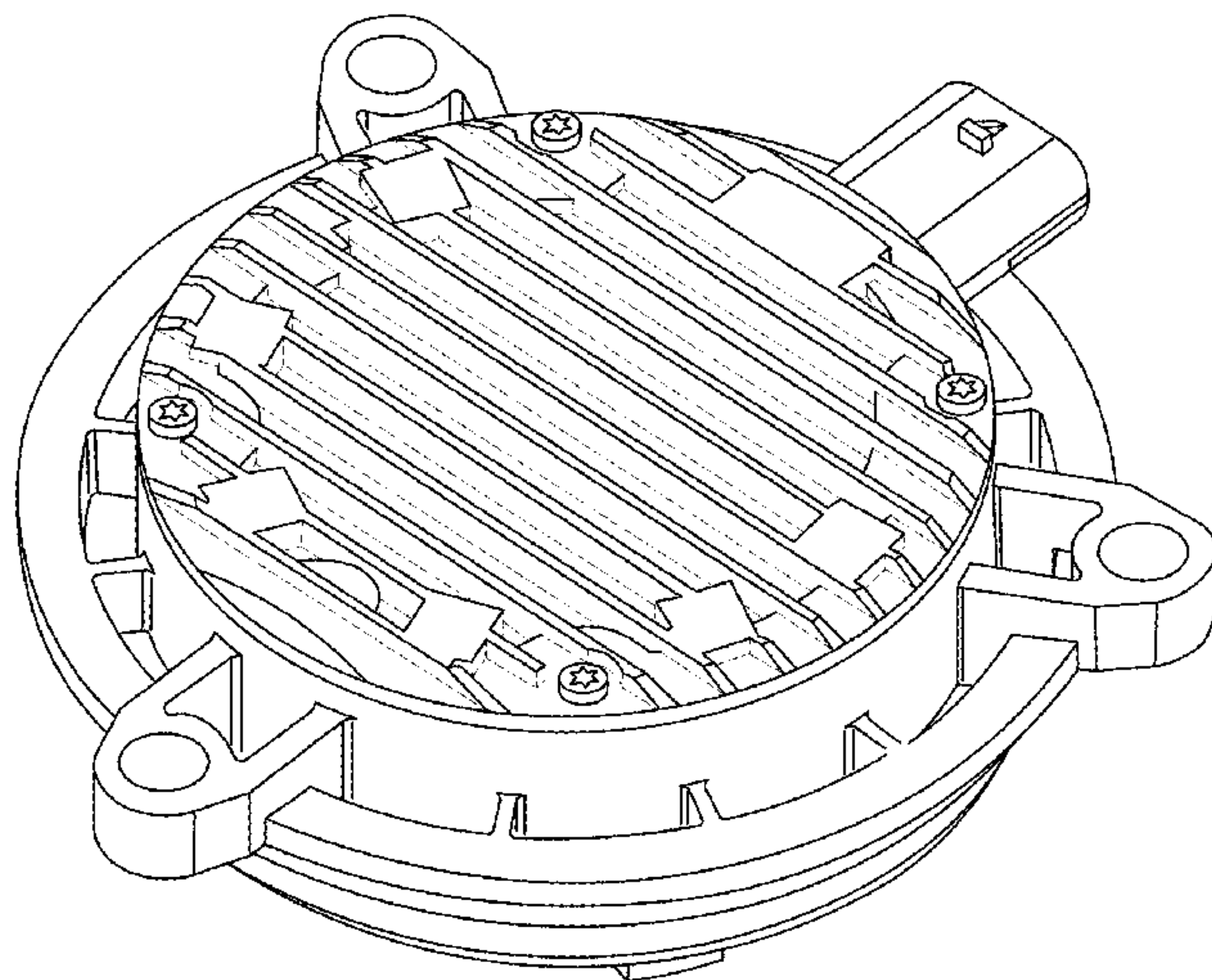
The ornamental design for an electric motor, as shown and described.

DESCRIPTION

FIG. 1 is a top, front, right side perspective view of an electric motor, showing our new design;
FIG. 2 is a top, rear, right side perspective view thereof;
FIG. 3 is a right side elevation view thereof;
FIG. 4 is a bottom, front, left side perspective view thereof;
FIG. 5 is a top plan view thereof; and,
FIG. 6 is a front elevation view thereof.

The broken lines in the drawings depict portions of the electric motor that form no part of the claimed design.

1 Claim, 6 Drawing Sheets



(56)

References Cited

U.S. PATENT DOCUMENTS

2020/0119599 A1 * 4/2020 Tanabe H02K 5/08

OTHER PUBLICATIONS

“Outer Rotor Motor”. Found online Sep. 30, 2020 at banggood.com. Reference dated Jul. 11, 2017. Retrieved from https://www.banggood.com/EMAX-GT220522-1660KV-Outer-Rotor-Brushless-Motor-For-RC-Models-F3P-p-973794.html?cur_warehouse=CN. (Year: 2017).*

“Electric Motor”. Found online Oct. 1, 2020 at pressebox.de. Reference dated Sep. 26, 2011. Retrieved from <https://www.pressebox.de/pressemitteilung/ebm-papst-st-georgen-gmbh-co-kg-0/Praesentation-auf-der-IAA-Neue-Wasserpumpe-von-ebm-papst/boxid/450607>. (Year: 2011).*

* cited by examiner

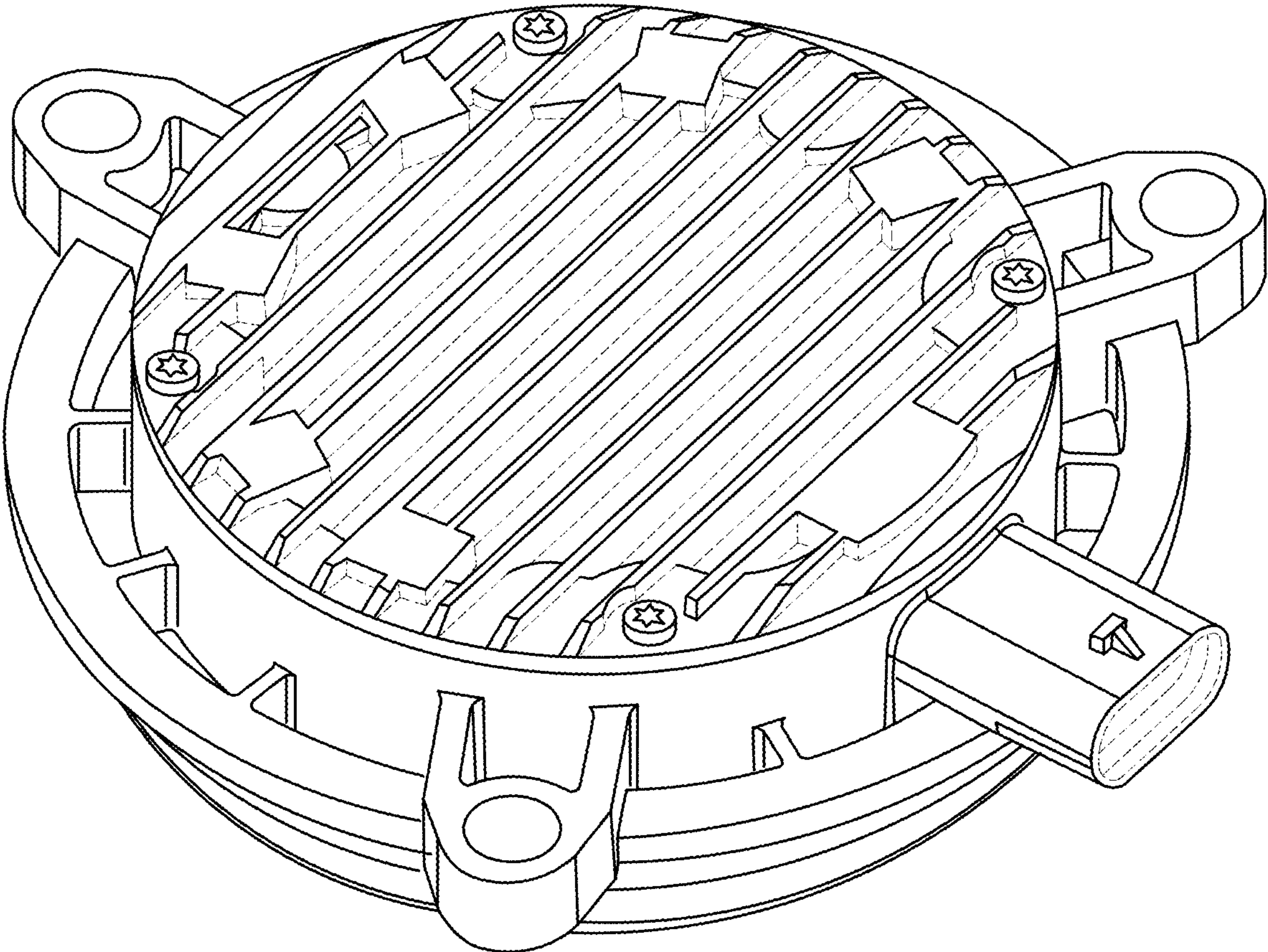


FIG - 1

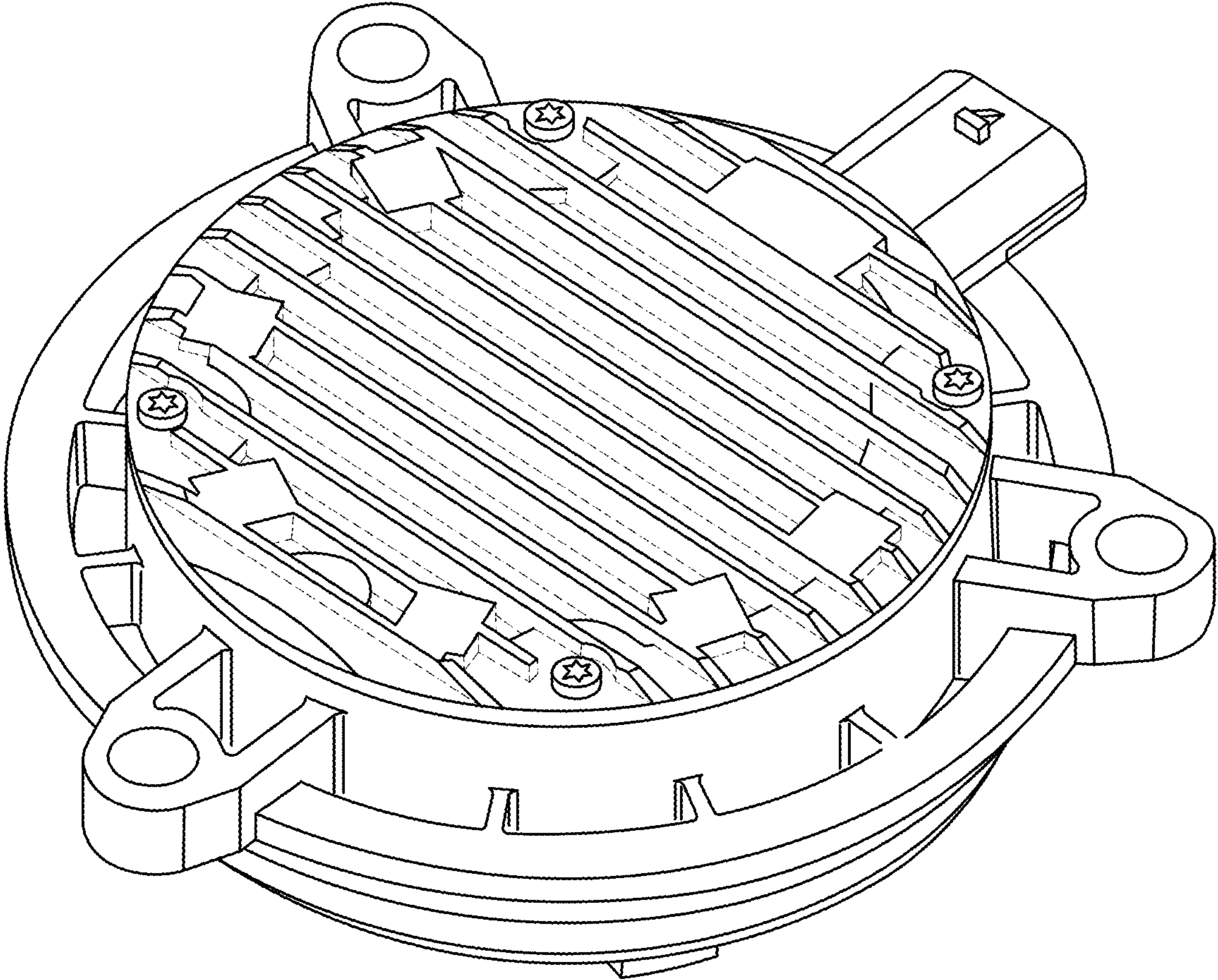


FIG - 2

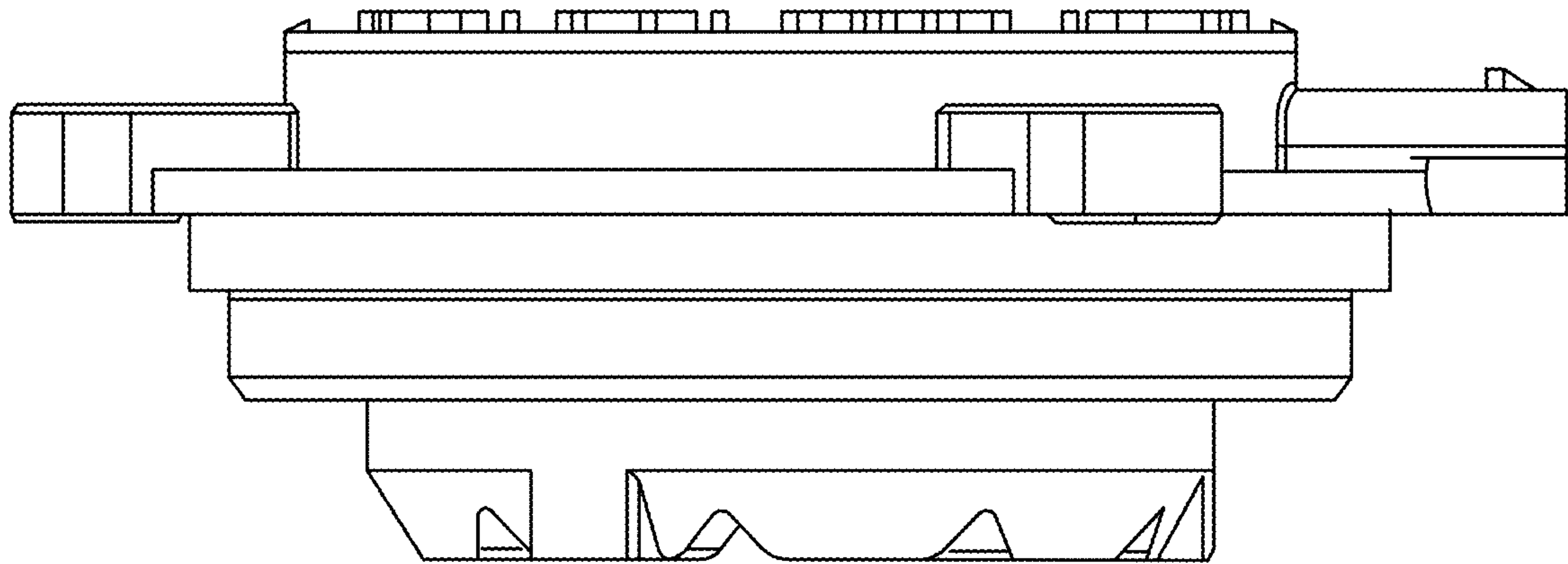


FIG - 3

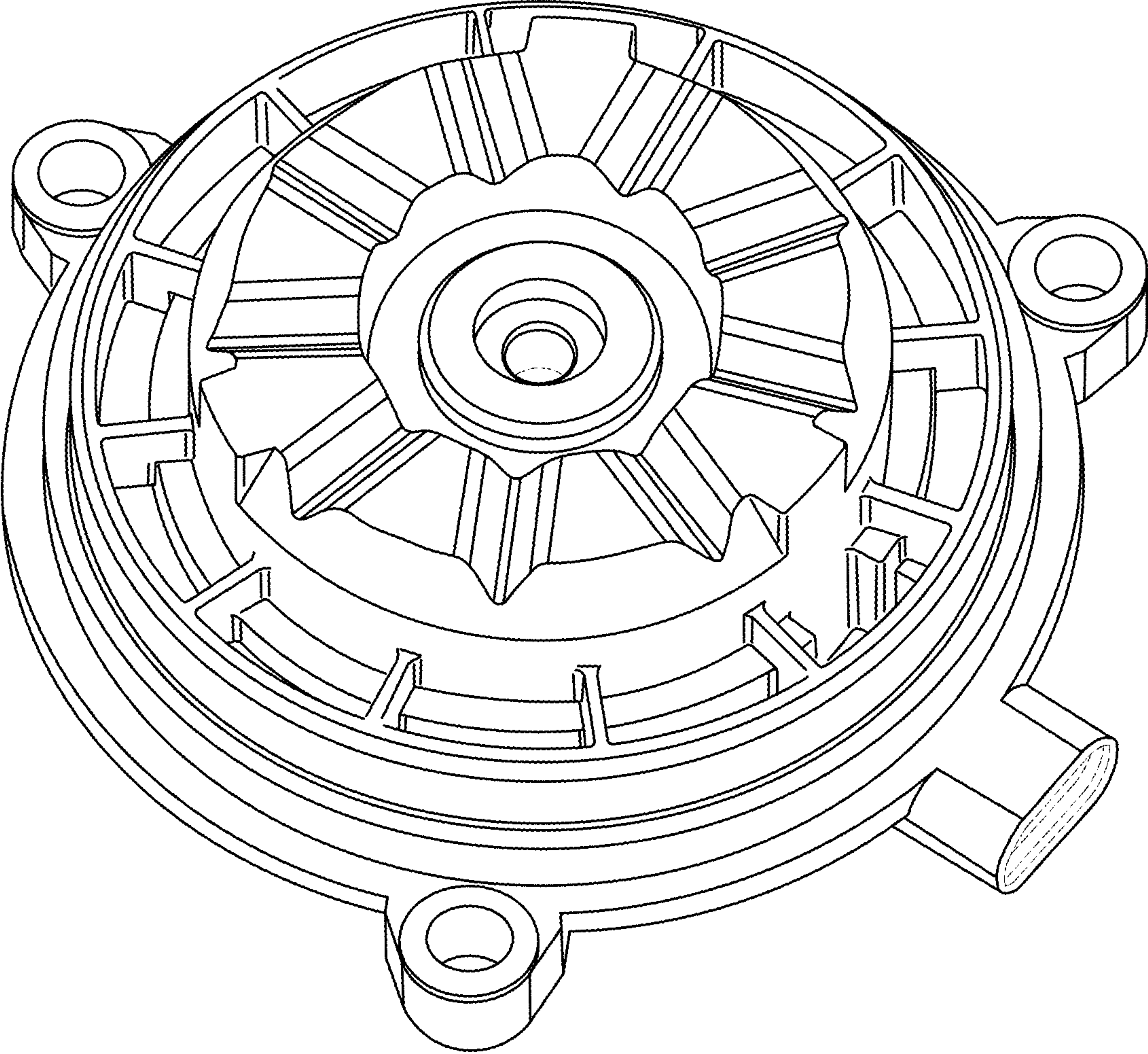


FIG - 4

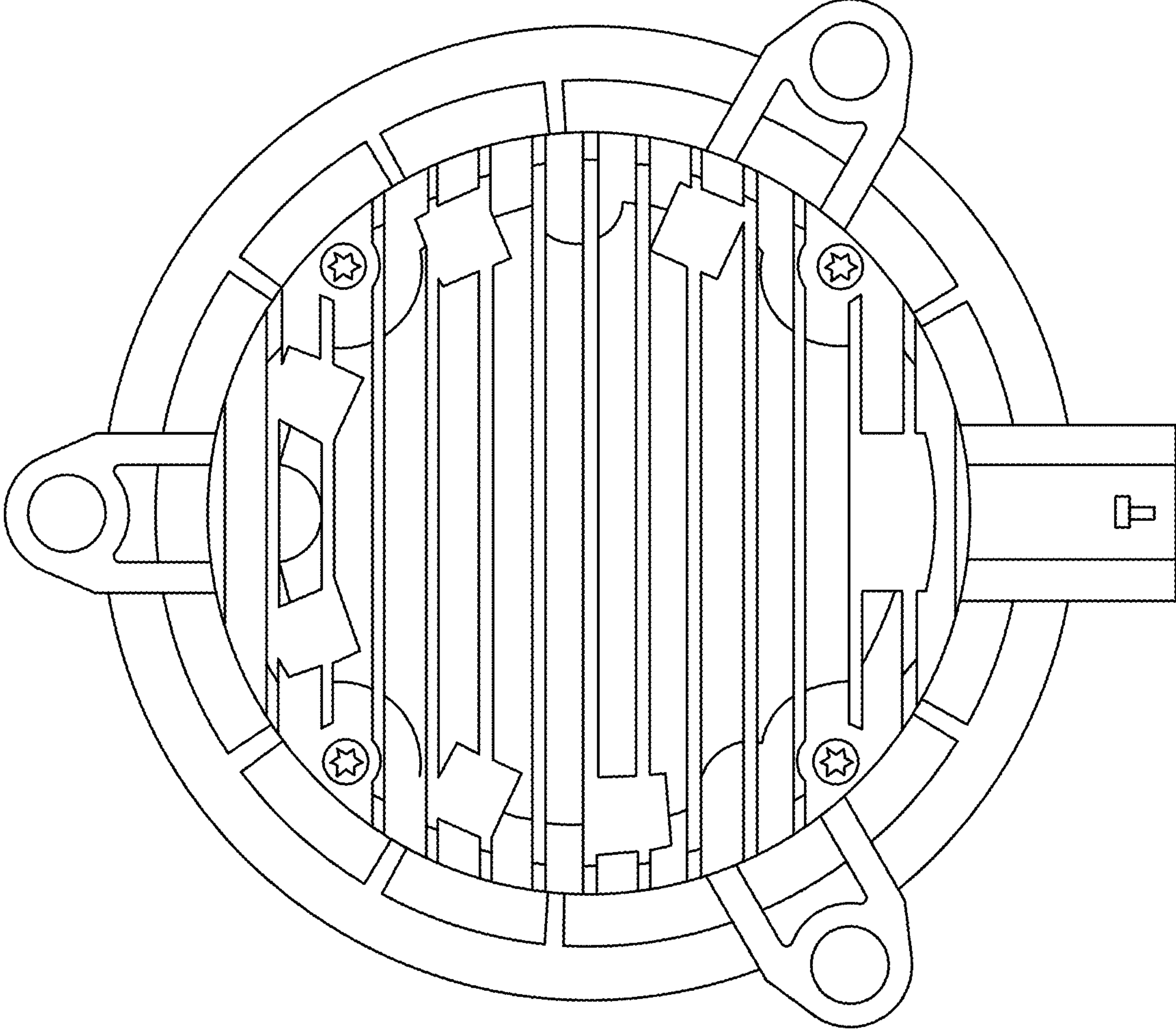


FIG - 5

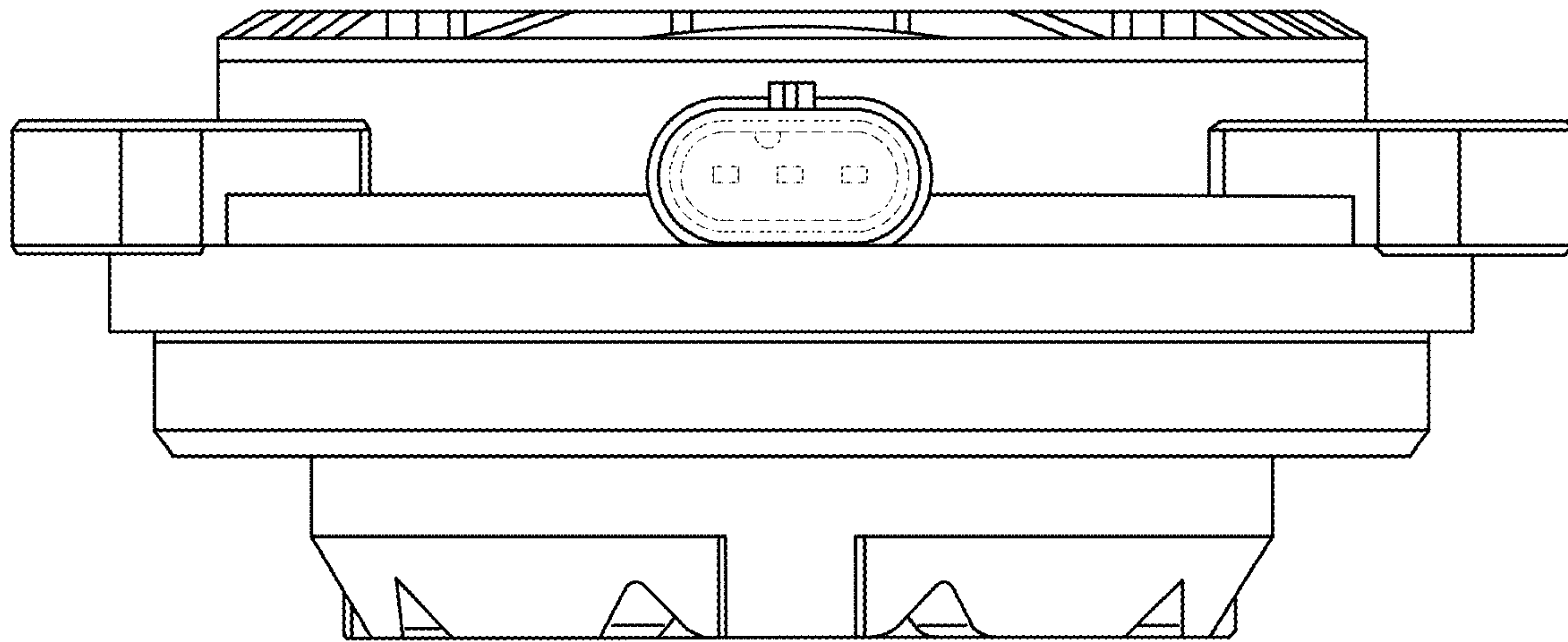


FIG - 6