



US00D936005S

(12) **United States Design Patent**  
**Helgeson et al.**

(10) **Patent No.:** **US D936,005 S**

(45) **Date of Patent:** **\*\* \*Nov. 16, 2021**

(54) **ROTATING GROUND PRONG ANCHOR**

(71) Applicant: **Comcast Cable Communications, LLC**, Philadelphia, PA (US)

(72) Inventors: **Stuart Helgeson**, Philadelphia, PA (US); **Henry Homza**, Philadelphia, PA (US)

(73) Assignee: **Comcast Cable Communications, LLC**, Philadelphia, PA (US)

D561,694 S *	2/2008	Lam	.....	D13/110
D575,228 S *	8/2008	So	.....	D13/110
7,554,828 B2 *	6/2009	Wilson	.....	G06F 1/263 363/146
8,096,817 B2 *	1/2012	Lee	.....	H01R 29/00 439/104
8,128,434 B1 *	3/2012	Gandolfi	.....	H01R 31/065 439/620.31
D735,136 S *	7/2015	Aromin	.....	D13/138.2
D793,964 S *	8/2017	Aromin	.....	D13/160
D868,698 S *	12/2019	Aromin	.....	D13/137.1
2011/0097911 A1 *	4/2011	Lee	.....	H01R 24/30 439/108

(\*) Notice: This patent is subject to a terminal disclaimer.

\* cited by examiner

(\*\*) Term: **15 Years**

*Primary Examiner* — Derrick E Holland

(74) *Attorney, Agent, or Firm* — Banner & Witcoff, Ltd.

(21) Appl. No.: **29/731,946**

(22) Filed: **Apr. 20, 2020**

(51) **LOC (13) Cl.** ..... **13-02**

(52) **U.S. Cl.**  
USPC ..... **D13/110; D13/137.1**

(58) **Field of Classification Search**  
USPC ..... D13/107, 108, 110, 118, 123, 133,  
D13/137.1–137.4, 138.2, 154, 184, 199;  
D14/240, 358, 432, 433  
CPC . H02M 1/00; H02M 1/10; H02M 1/36; H01R  
13/04; H01R 13/10; H01R 13/652; H01R  
13/6675; H01R 25/003; H01R 31/065;  
H01R 24/30; H04W 88/08  
See application file for complete search history.

(56) **References Cited**

U.S. PATENT DOCUMENTS

5,613,863 A *	3/1997	Klaus	.....	H01R 27/00 439/131
D383,115 S *	9/1997	Nagele	.....	D13/110

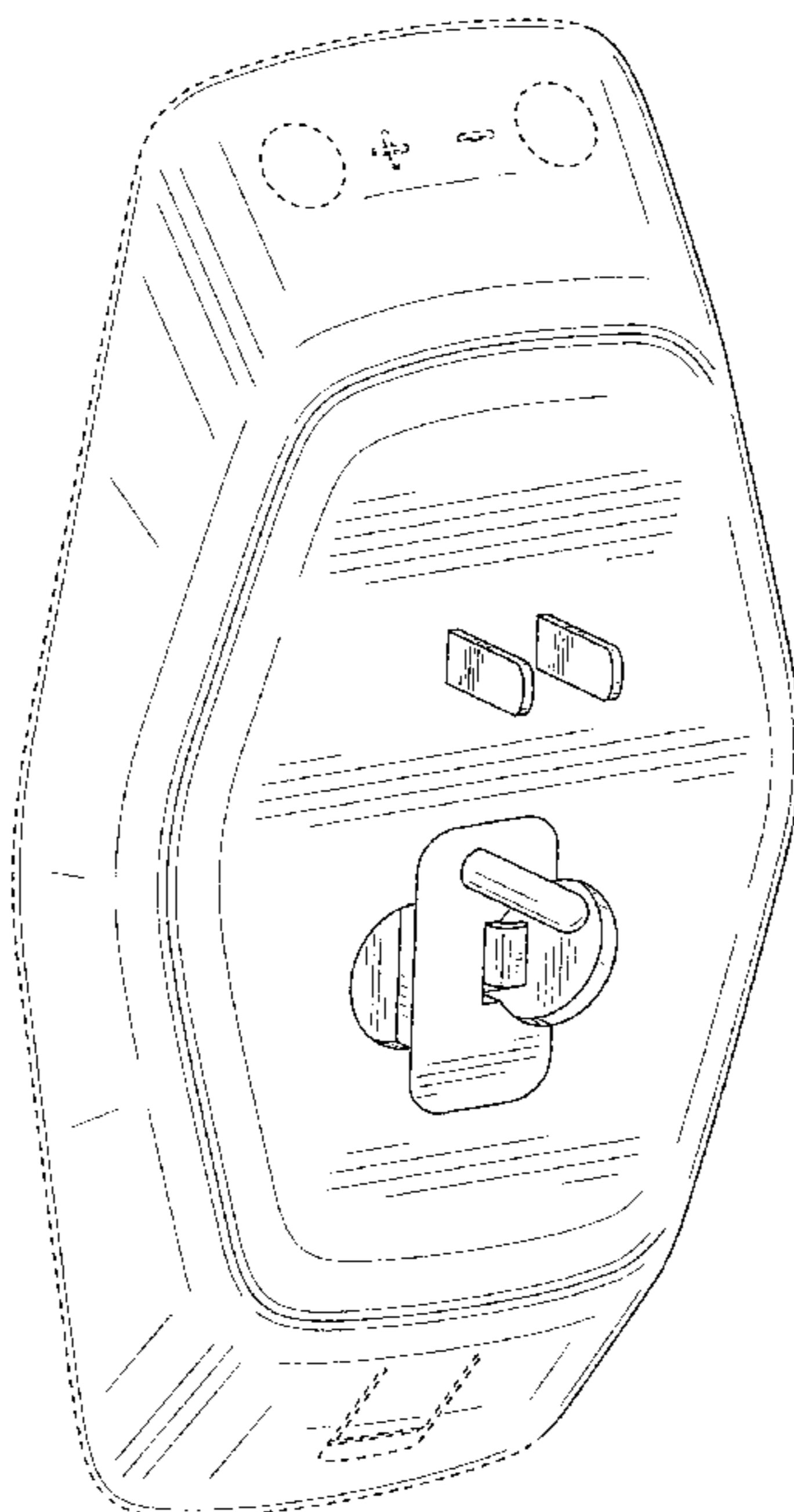
(57) **CLAIM**

The ornamental design for a rotating ground prong anchor, as shown and described.

**DESCRIPTION**

FIG. 1 is a rear perspective view of a rotating ground prong anchor showing our new design; FIG. 2 is a rear view thereof; FIG. 3 is a left side view thereof; FIG. 4 is a right side view thereof; FIG. 5 is a top view thereof; and, FIG. 6 is a bottom view thereof. The broken line immediately adjacent to and surrounding the shaded area represents the bounds of the claimed design and forms no part thereof. The broken lines depicting the buttons, port, and remainder of the rotating ground prong anchor form no part of the claimed design.

**1 Claim, 6 Drawing Sheets**



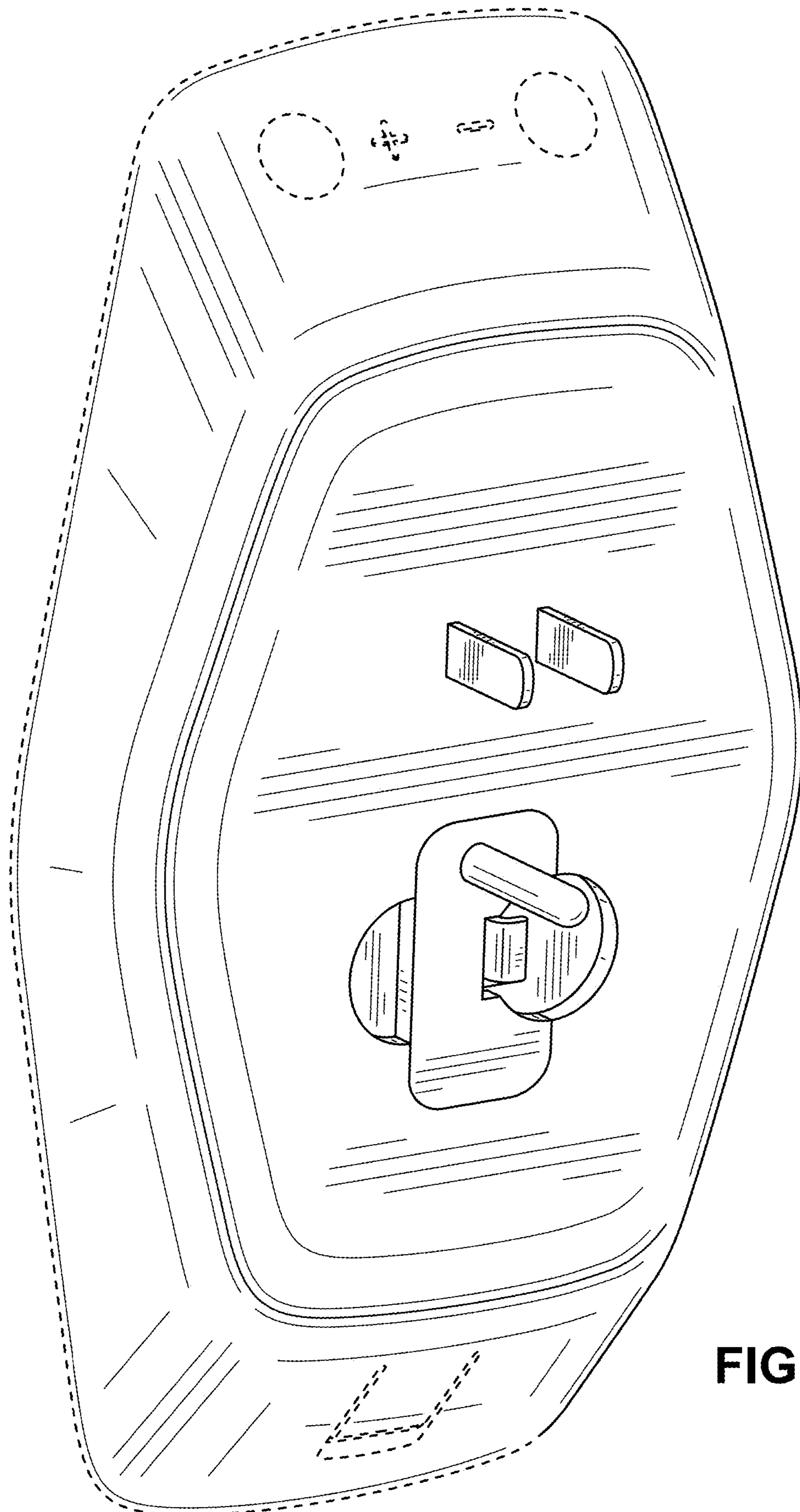


FIG. 1

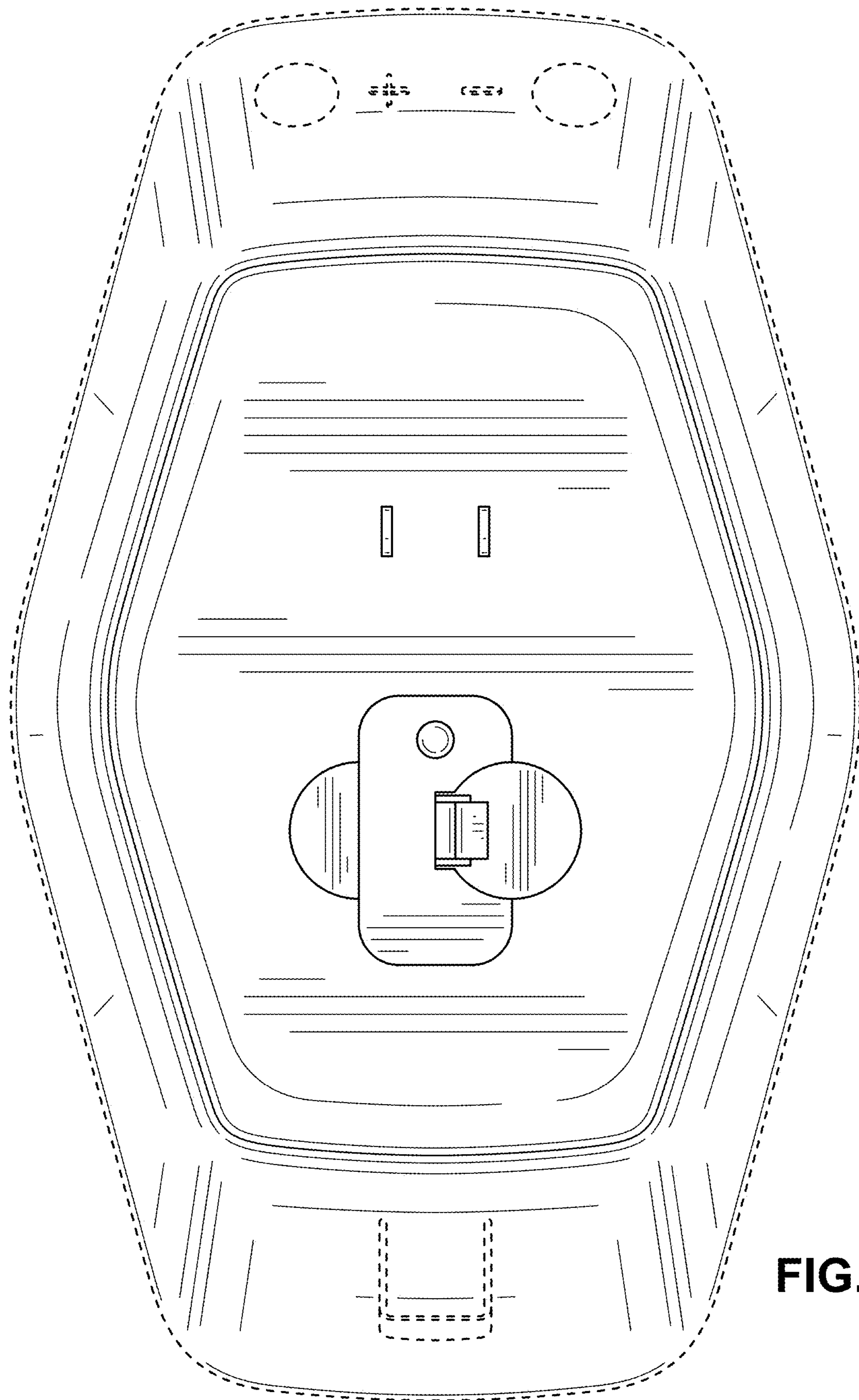
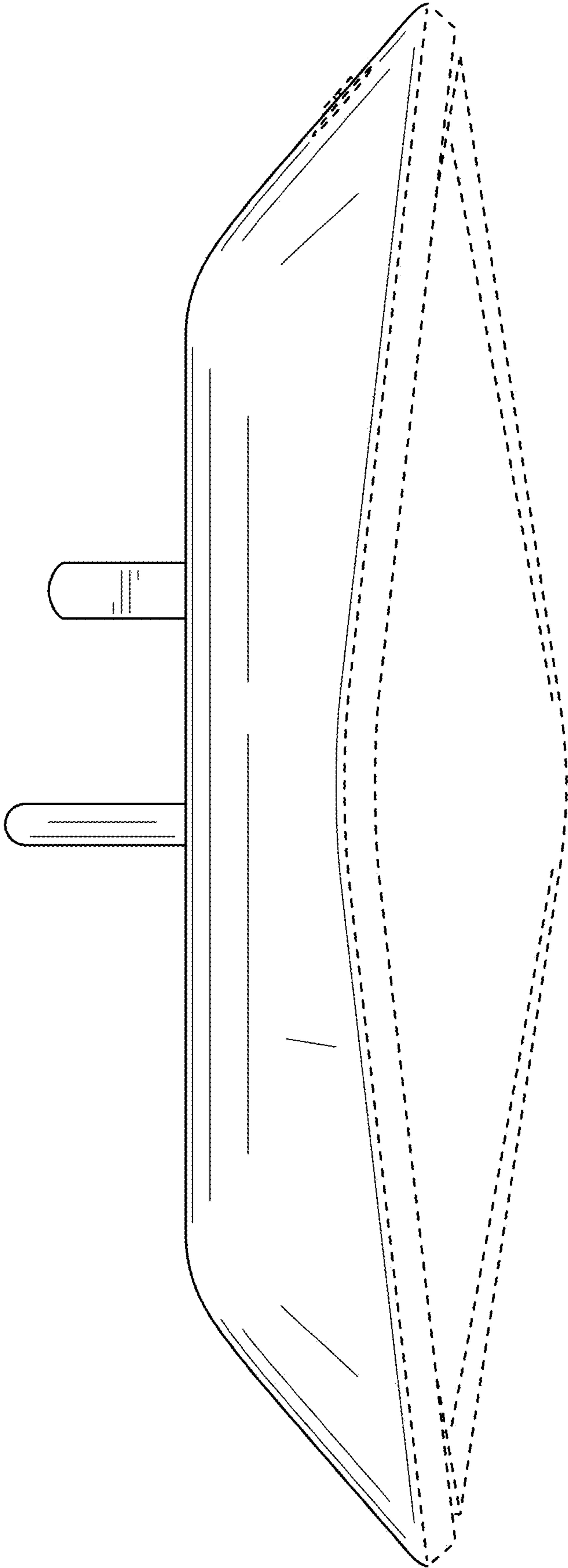


FIG. 2



**FIG. 3**

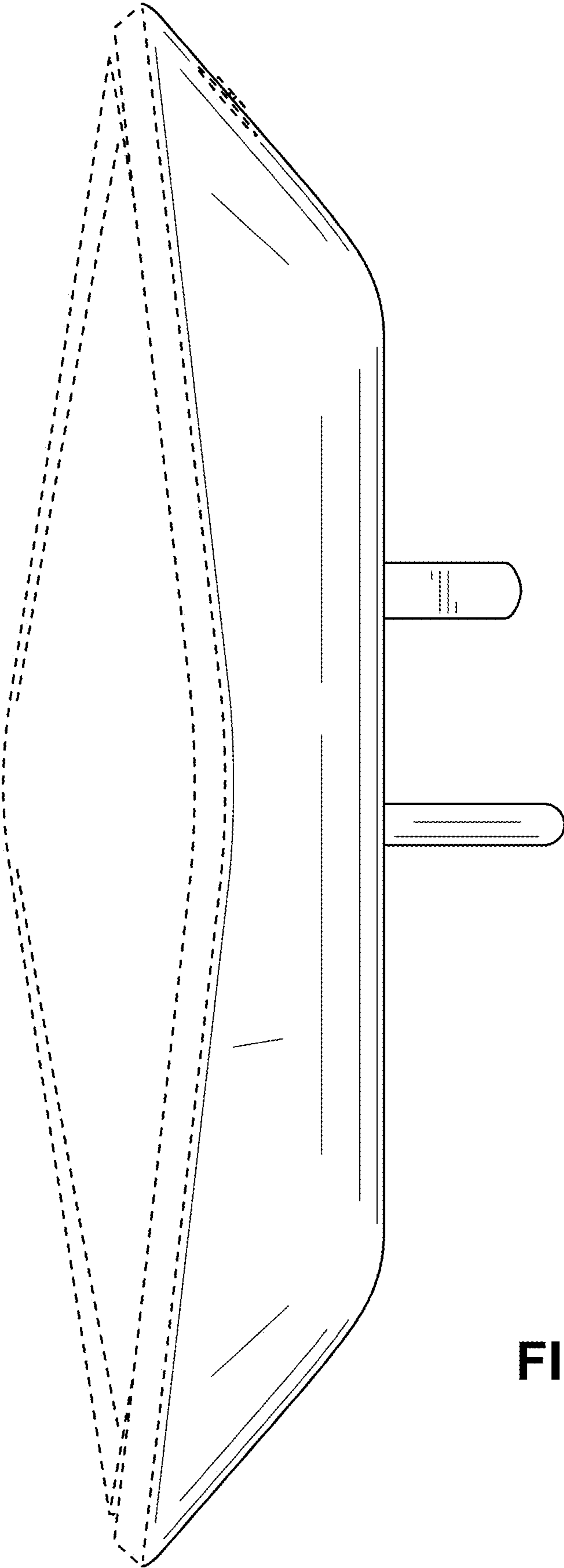


FIG. 4

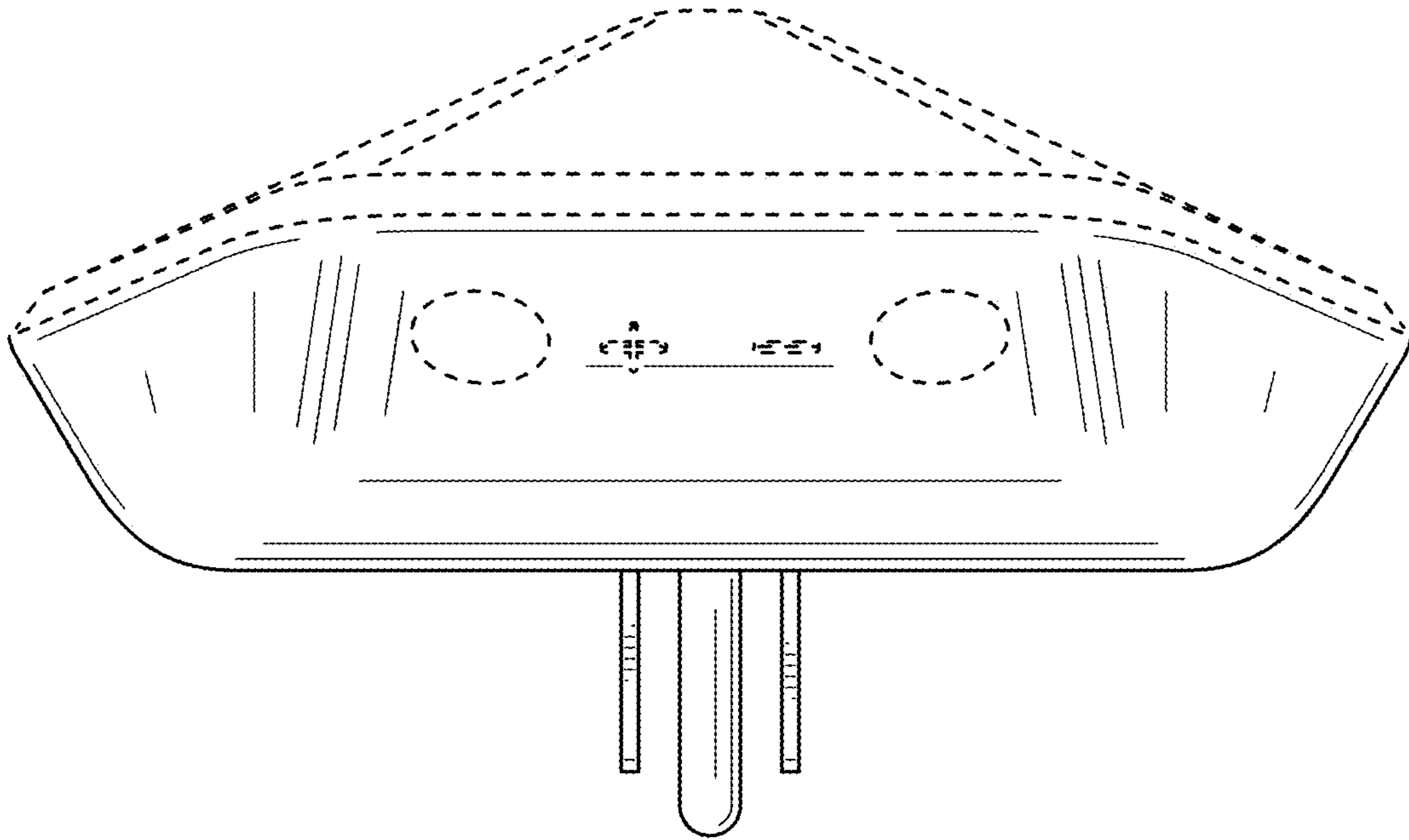


FIG. 5

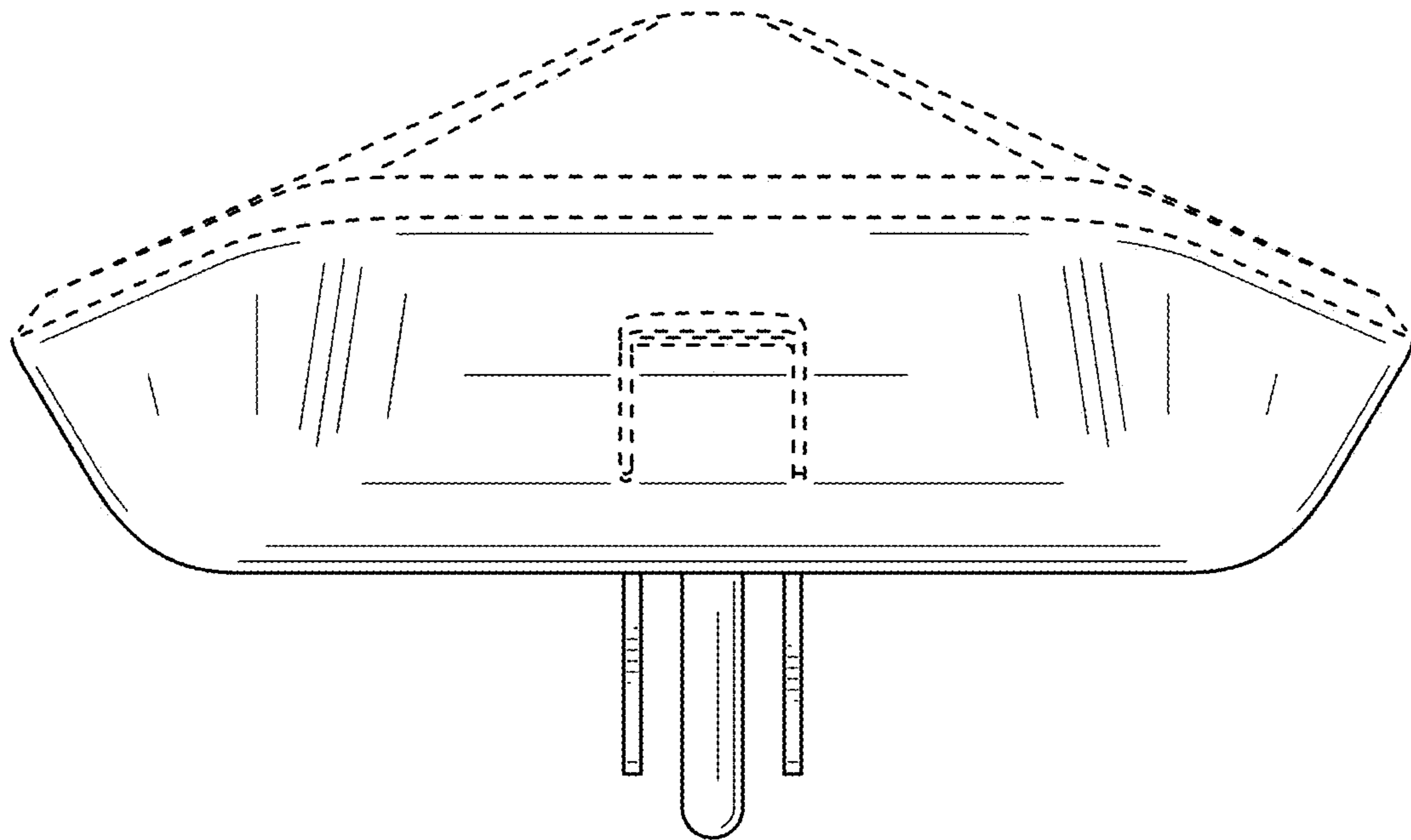


FIG. 6