



US00D936002S

(12) **United States Design Patent** (10) **Patent No.:** **US D936,002 S**
Guo (45) **Date of Patent:** **** Nov. 16, 2021**

(54) **CHARGER**

(71) Applicant: **Guangdong Mcdodo Industrial Company Limited, Guangzhou (CN)**

(72) Inventor: **Yuxin Guo, Guangzhou (CN)**

(**) Term: **15 Years**

(21) Appl. No.: **29/760,343**

(22) Filed: **Dec. 1, 2020**

(51) **LOC (13) Cl.** **13-02**

(52) **U.S. Cl.**
USPC **D13/108**

(58) **Field of Classification Search**
USPC D13/103, 107–110, 118–119, 184, 199,
D13/137.1–137.4, 138.1–138.2; D14/251,
D14/253, 432, 434, 433
CPC H02J 7/025; H02J 7/005; H02J 7/0026;
H02J 7/0042; H02J 7/0044; H02J 7/0045;
H02J 7/0013; H02J 7/0003

See application file for complete search history.

(56) **References Cited**

U.S. PATENT DOCUMENTS

D650,330 S	*	12/2011	Dong	D13/108
D660,795 S	*	5/2012	Wen	D13/110
D663,687 S		7/2012	Liu		
D682,781 S	*	5/2013	Wakafuji	D13/110
D692,825 S	*	11/2013	Izen	D13/108
D756,916 S	*	5/2016	Yang	D13/108
D790,458 S	*	6/2017	He	D13/108
D790,464 S	*	6/2017	He	D13/110
D796,432 S	*	9/2017	Liu	D13/107
D841,582 S		2/2019	Tian		
D879,044 S	*	3/2020	Fan	D13/137.2
D879,712 S	*	3/2020	Fan	D13/108
D883,198 S	*	5/2020	Zhang	D13/107

D892,735 S	*	8/2020	Zhang	D13/108
D897,957 S	*	10/2020	Yang	D13/110
D899,364 S	*	10/2020	Zhang	D13/110
D911,275 S	*	2/2021	Chen	D13/108
D926,130 S	*	7/2021	Huang	D13/110

OTHER PUBLICATIONS

“USB C Charger,53W 4-Port USB Charging Station, Multi-Port Quick Charge 3.0 QC 3.0 and PD 20W Speed Wall Charger”, Amazon.com, first available on Mar. 8, 2021. Retrieved from the internet on Aug. 28, 2021. <https://www.amazon.com/Charger-Charging-Multi-Port-Suitable-GalaxyS9/dp/B08Y8G541V/ref=1sr_1_18?dchild=&keywords=multiport+charger&qid=1630183986&sr=8-18> (Year: 2021).*

* cited by examiner

Primary Examiner — Rosemary K Tarcza

(57) **CLAIM**

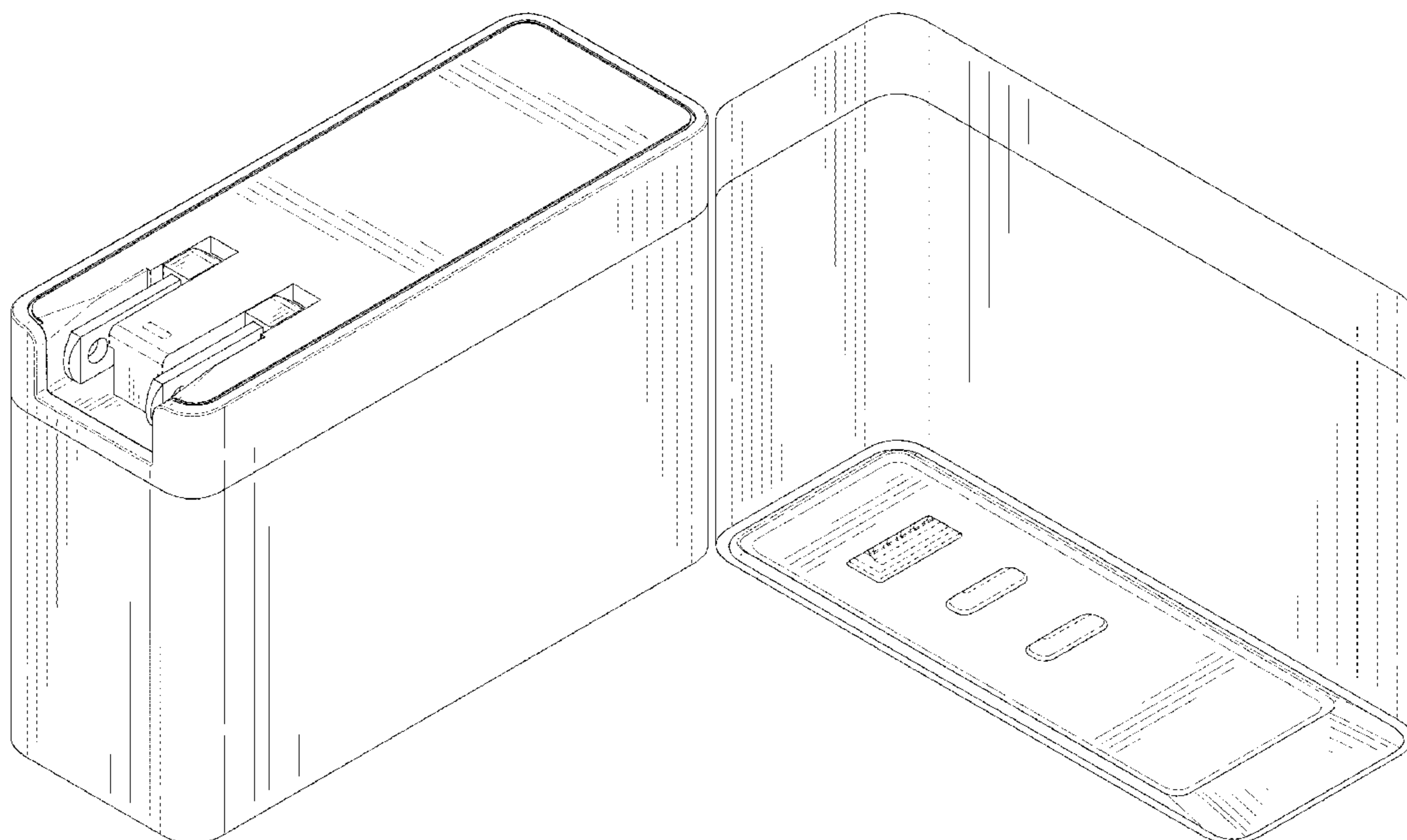
The ornamental design for a charger, as shown and described.

DESCRIPTION

FIG. 1 is a first perspective view of a charger showing my new design;
FIG. 2 is a second perspective view thereof;
FIG. 3 is a front view thereof;
FIG. 4 is a back view thereof;
FIG. 5 is a left side view thereof;
FIG. 6 is a right side view thereof;
FIG. 7 is atop view thereof;
FIG. 8 is a bottom view thereof; and,
FIG. 9 is a perspective view of another state of the charger thereof.

The broken lines shown in the drawings depict portions of the charger in which the design is embodied that form no part of the claimed design.

1 Claim, 9 Drawing Sheets



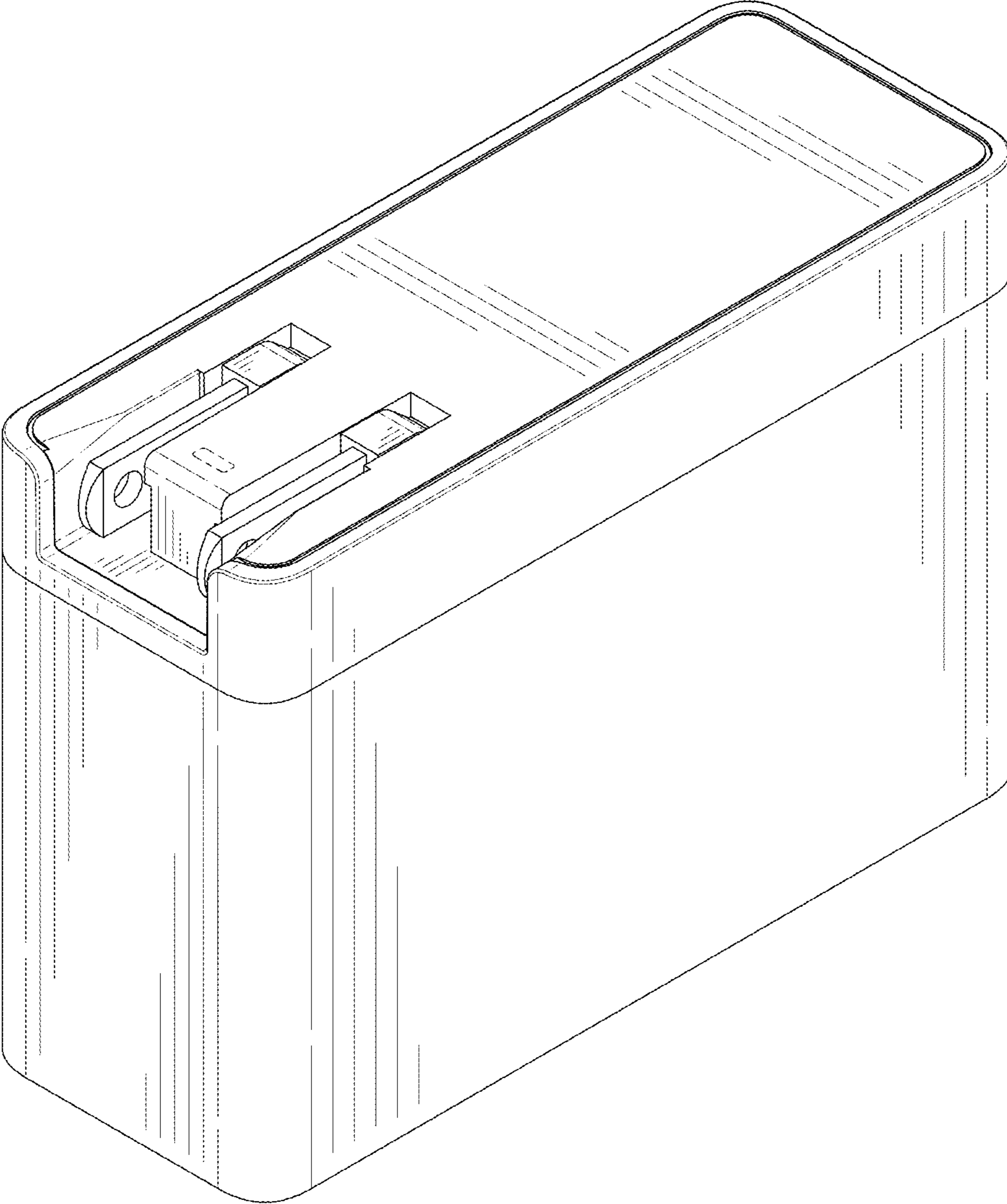


FIG. 1

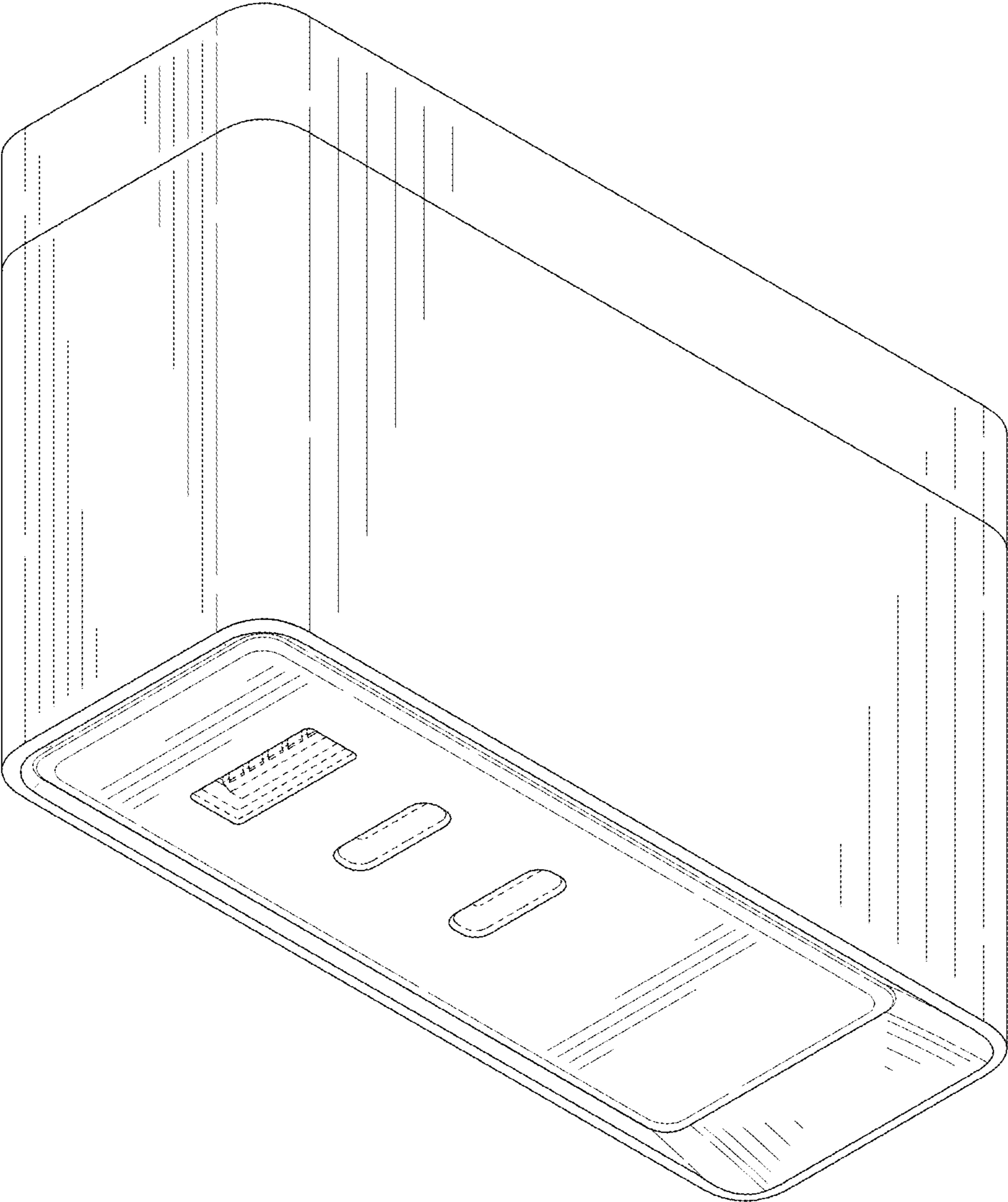


FIG. 2

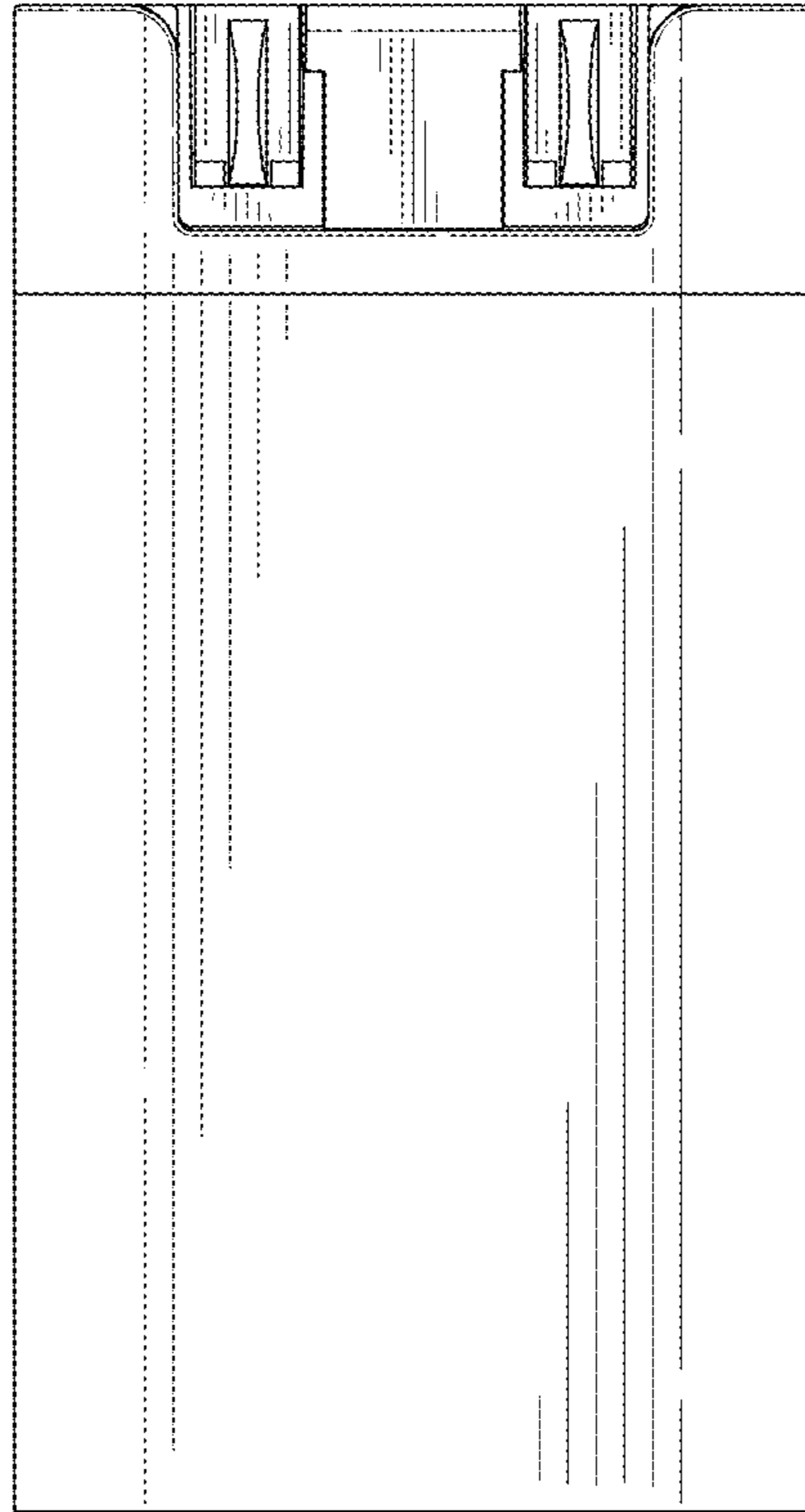


FIG. 3

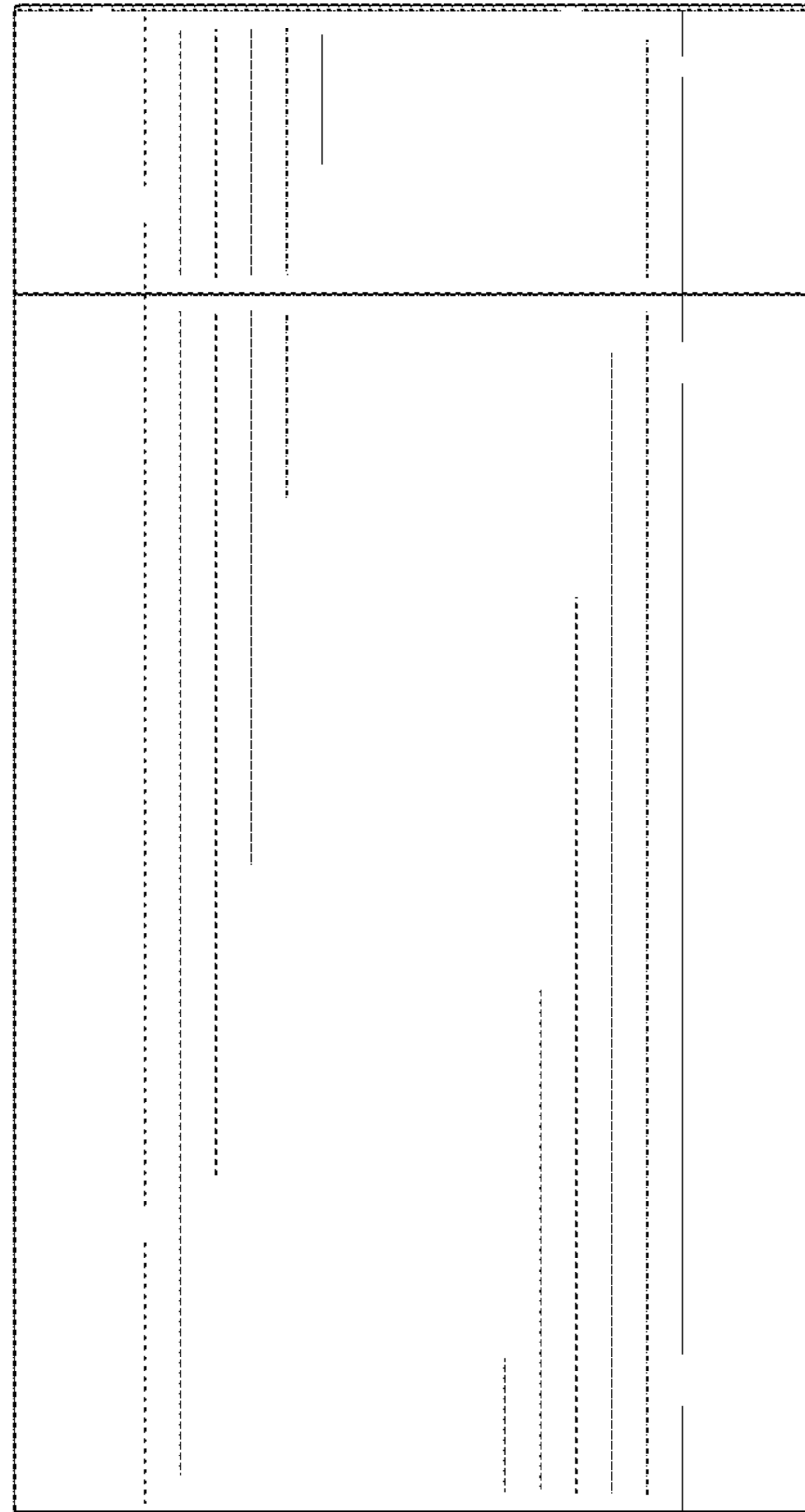


FIG. 4

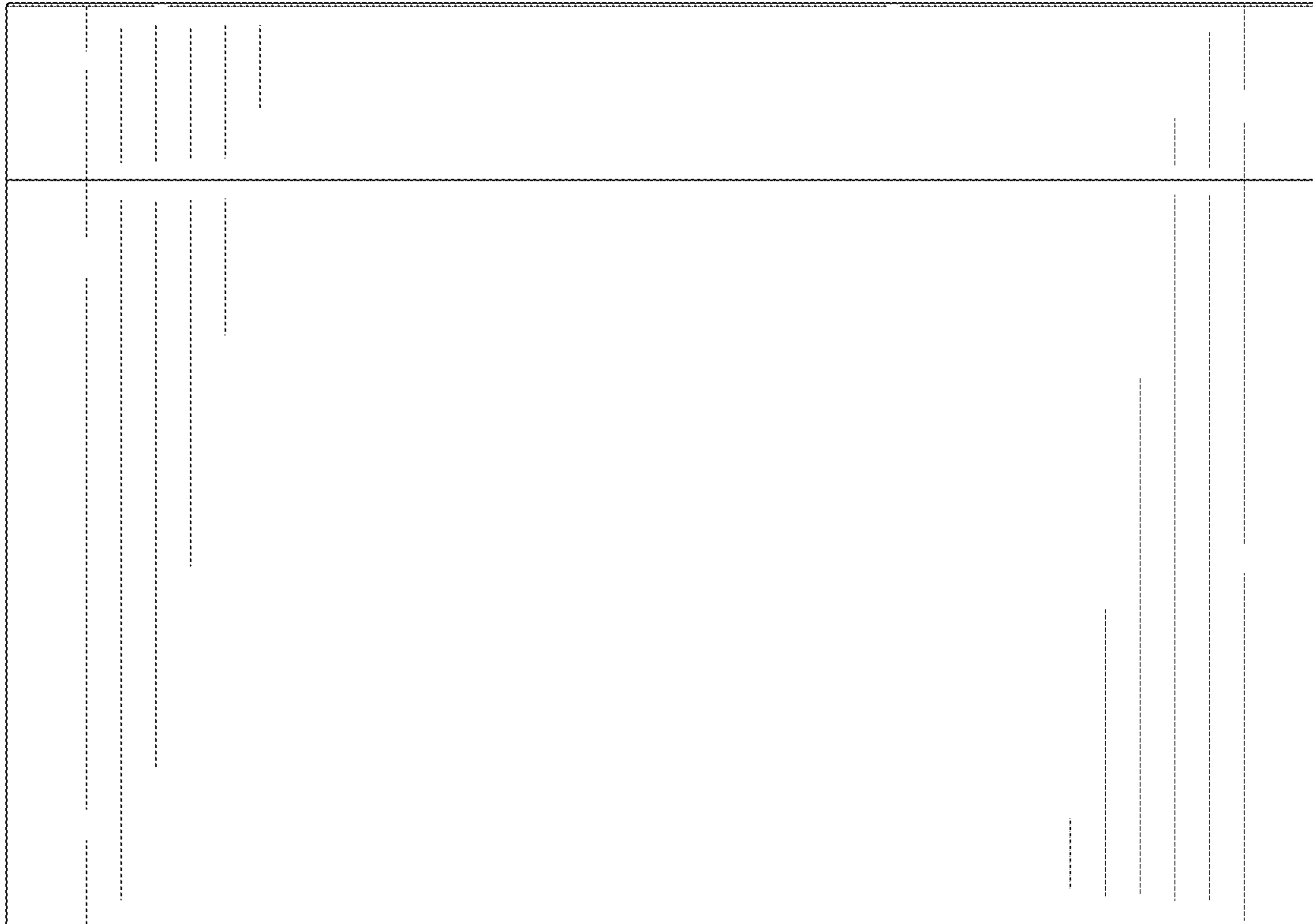


FIG. 5



FIG. 6

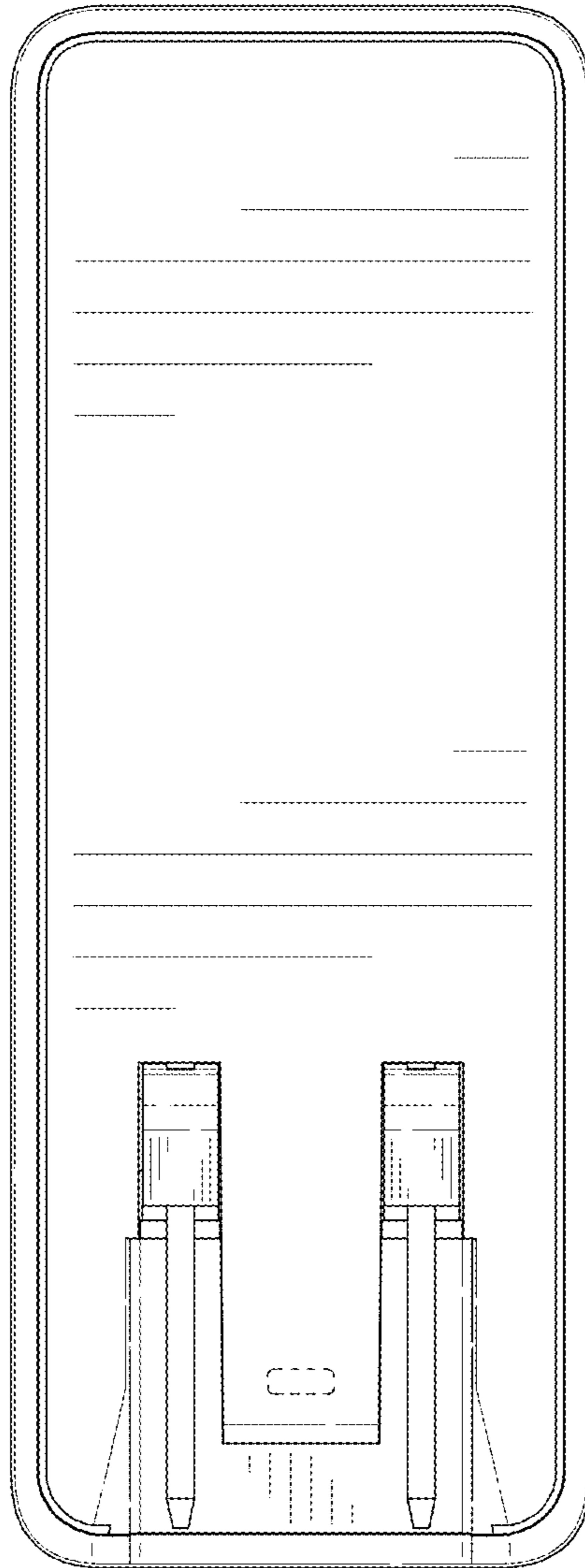


FIG. 7

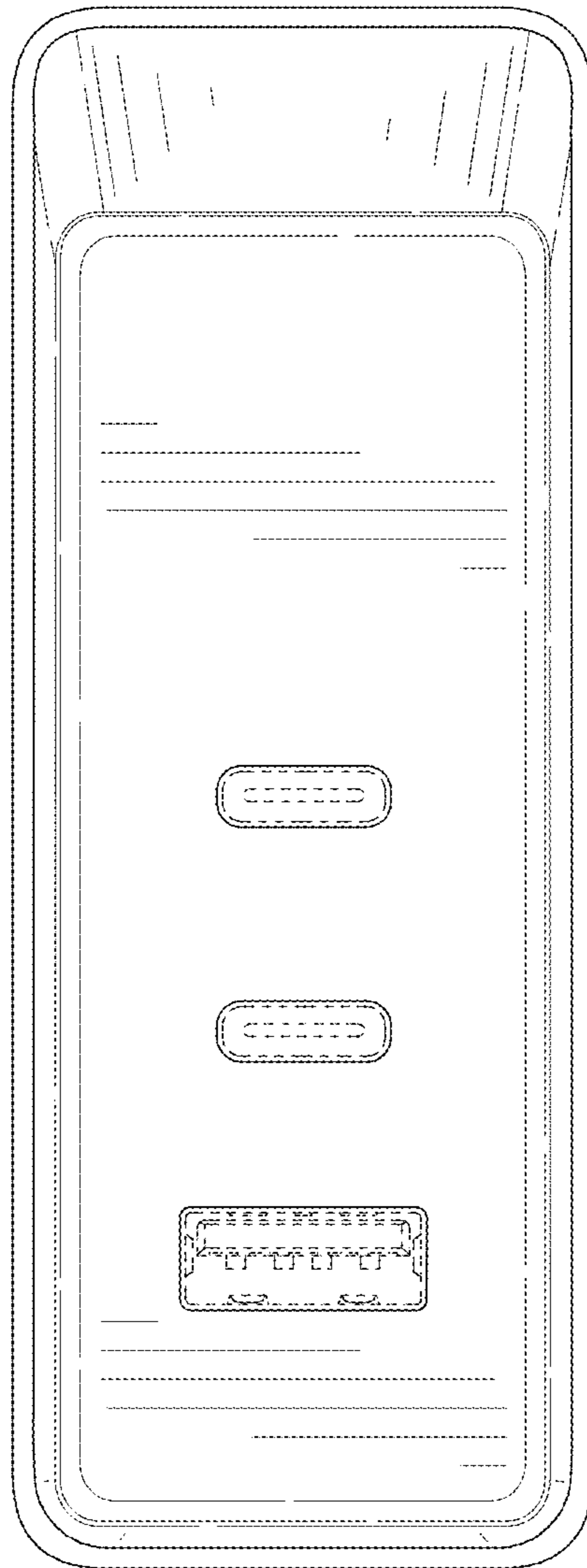


FIG. 8

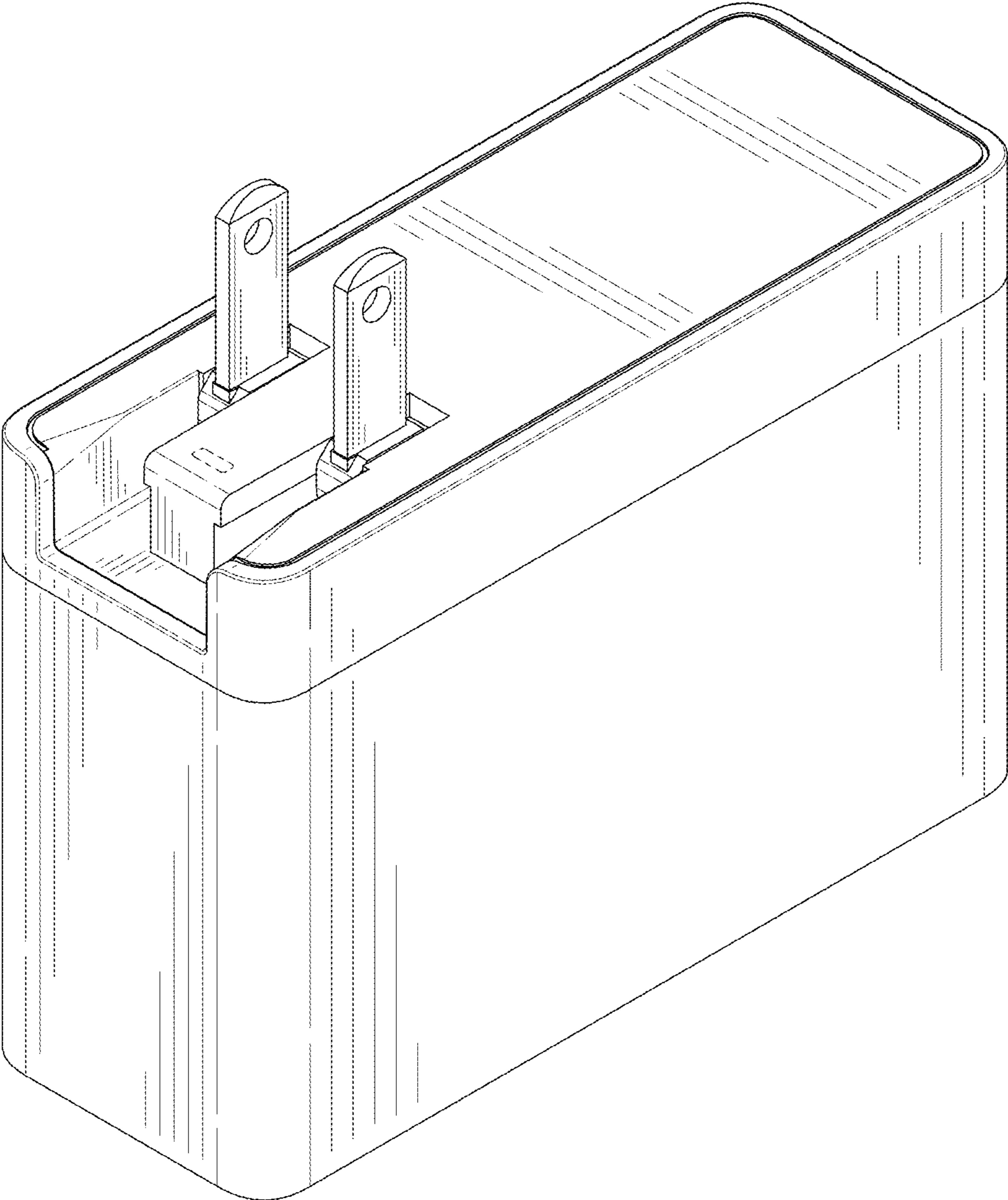


FIG. 9