



US00D936000S

(12) **United States Design Patent** (10) **Patent No.:** **US D936,000 S**  
**Tyson et al.** (45) **Date of Patent:** **\*\* Nov. 16, 2021**

- (54) **CHARGING STATION FOR MOBILE DEVICES**
- (71) Applicants: **Cambrionix Ltd**, Cambridge (GB); **Cambrionix Holdings Limited**, Cambridge (GB)
- (72) Inventors: **Steven Tyson**, Cambridge (GB); **Bruce Stanley John Hutchison**, Cambridge (GB); **Alasdair Max Paul Barnett**, Cambridge (GB); **Richard Albert Norman**, Ely (GB)
- (73) Assignees: **Cambrionix Ltd**, Cambridge (GB); **Cambrionix Holdings Limited**, Cambridge (GB)
- (\*\*) Term: **15 Years**
- (21) Appl. No.: **29/735,475**
- (22) Filed: **May 21, 2020**
- (30) **Foreign Application Priority Data**
- |               |      |         |
|---------------|------|---------|
| Nov. 25, 2019 | (GB) | 6077253 |
| Nov. 25, 2019 | (GB) | 6077254 |
| Nov. 25, 2019 | (GB) | 6077255 |
| Nov. 25, 2019 | (GB) | 6077256 |
| Nov. 25, 2019 | (GB) | 6077257 |
- (51) **LOC (13) Cl.** ..... **13-02**
- (52) **U.S. Cl.**  
USPC ..... **D13/108**; D13/184; D14/356
- (58) **Field of Classification Search**  
USPC ..... D13/103, 107, 108, 110, 118, 119, 184, D13/199; D14/300, 356, 432, 433, 434, D14/447  
CPC ..... H02J 50/00; H02J 15/00; H02J 7/0044; H05K 5/00
- See application file for complete search history.

- (56) **References Cited**
- U.S. PATENT DOCUMENTS
- |           |      |         |        |       |                       |
|-----------|------|---------|--------|-------|-----------------------|
| D462,351  | S *  | 9/2002  | Tanaka | ..... | D14/356               |
| D484,128  | S *  | 12/2003 | Chung  | ..... | D14/356               |
| 6,776,345 | B1 * | 8/2004  | Liang  | ..... | G06F 1/181<br>235/441 |
| D525,266  | S *  | 7/2006  | Smith  | ..... | D14/217               |
| D560,217  | S *  | 1/2008  | Adachi | ..... | D14/300               |
- (Continued)

**OTHER PUBLICATIONS**

“Cambrionix ‘ModIT’ Charging Station”. Found online Jul. 2, 2021 at med-technews.com. Reference dated Jan. 15, 2020. Retrieved from <https://www.med-technews.com/news/what-will-be-launched-on-the-abhi-uk-pavilion-at-arab-health/>. (Year: 2020).\*

(Continued)

*Primary Examiner* — Kendra Leslie Hamilton  
*Assistant Examiner* — Amanda Christensen  
 (74) *Attorney, Agent, or Firm* — Dascenzo Gates Intellectual Property Law, P.C.

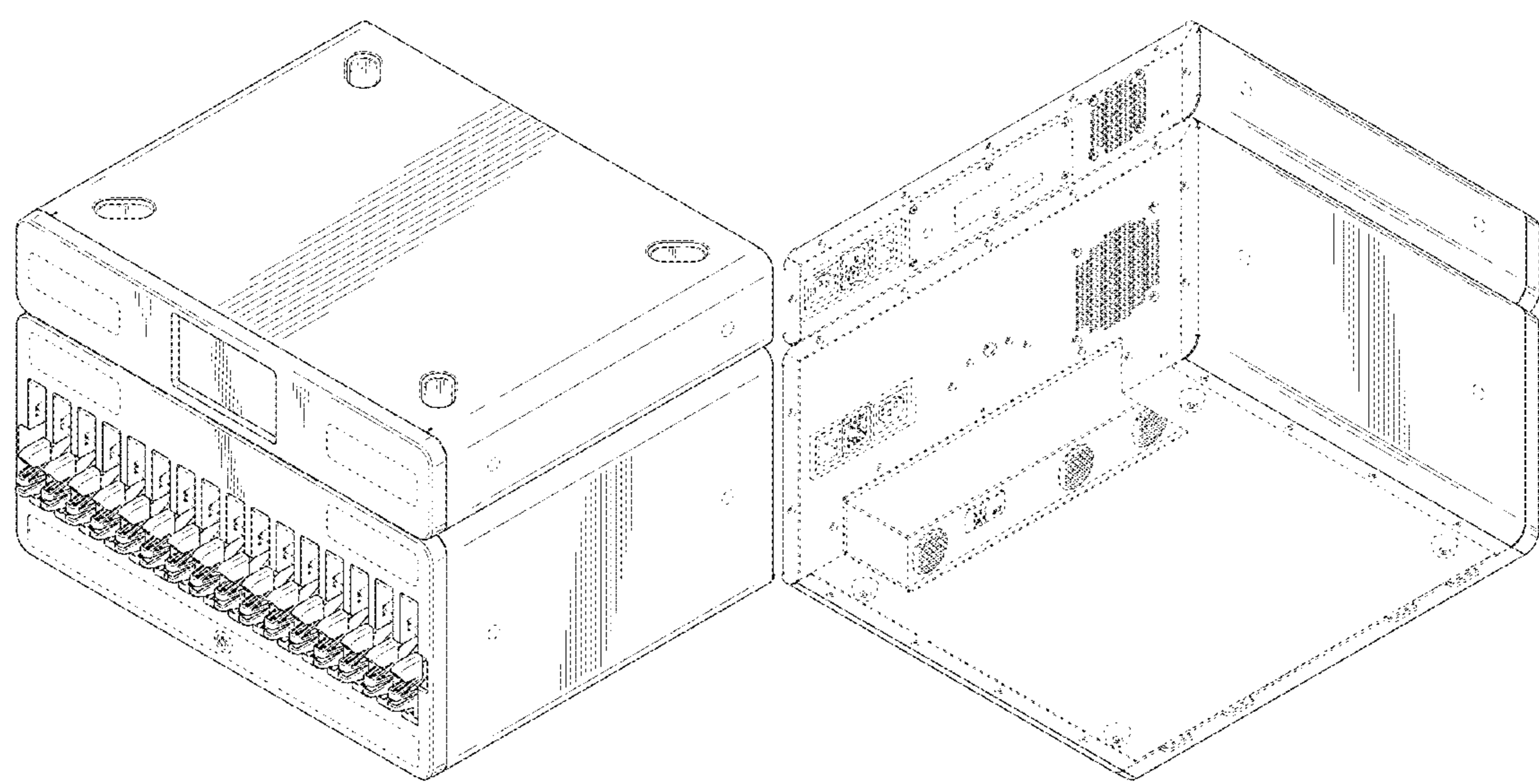
(57) **CLAIM**

The ornamental design for a charging station for mobile devices, as shown and described.

**DESCRIPTION**

FIG. 1 is a top, front, left isometric view of a charging station for mobile devices, showing our new design; FIG. 2 is a bottom, rear, right isometric view thereof; FIG. 3 is a front view thereof; FIG. 4 is a rear view thereof; FIG. 5 is a right side view thereof; FIG. 6 is a left side view thereof; FIG. 7 is a top view thereof; and, FIG. 8 is a bottom view thereof. The broken lines shown in the drawings represent portions of the charging station for mobile devices that form no part of the claimed design.

**1 Claim, 8 Drawing Sheets**



(56)

**References Cited**

U.S. PATENT DOCUMENTS

D673,906 S \* 1/2013 Sano ..... D13/103  
D811,997 S \* 3/2018 Sha ..... D13/107  
D869,390 S \* 12/2019 Li ..... D13/108  
D911,990 S \* 3/2021 Wu ..... D13/184  
D923,568 S \* 6/2021 Lee ..... D13/110  
2005/0092727 A1\* 5/2005 Fraley ..... G11B 27/36  
219/209  
2008/0088739 A1\* 4/2008 Wang ..... H04N 21/43632  
348/553  
2015/0263550 A1\* 9/2015 Han ..... H02J 7/0014  
320/108

OTHER PUBLICATIONS

“Cambrix Modular Charging Station”. Found online Jul. 2, 2021 at facebook.com. Reference dated Nov. 13, 2019. Retrieved from <https://www.facebook.com/Cambrix/photos/a.508574135822045/2902178286461606/?type=3&theater>. (Year: 2019).\*

“Ultra Stackable”. Found online Jul. 2, 2021 at bjorn3d.com. Reference dated Jan. 14, 2008. Retrieved from <https://bjorn3d.com/2008/01/ultra-stackable/>. (Year: 2008).\*

\* cited by examiner

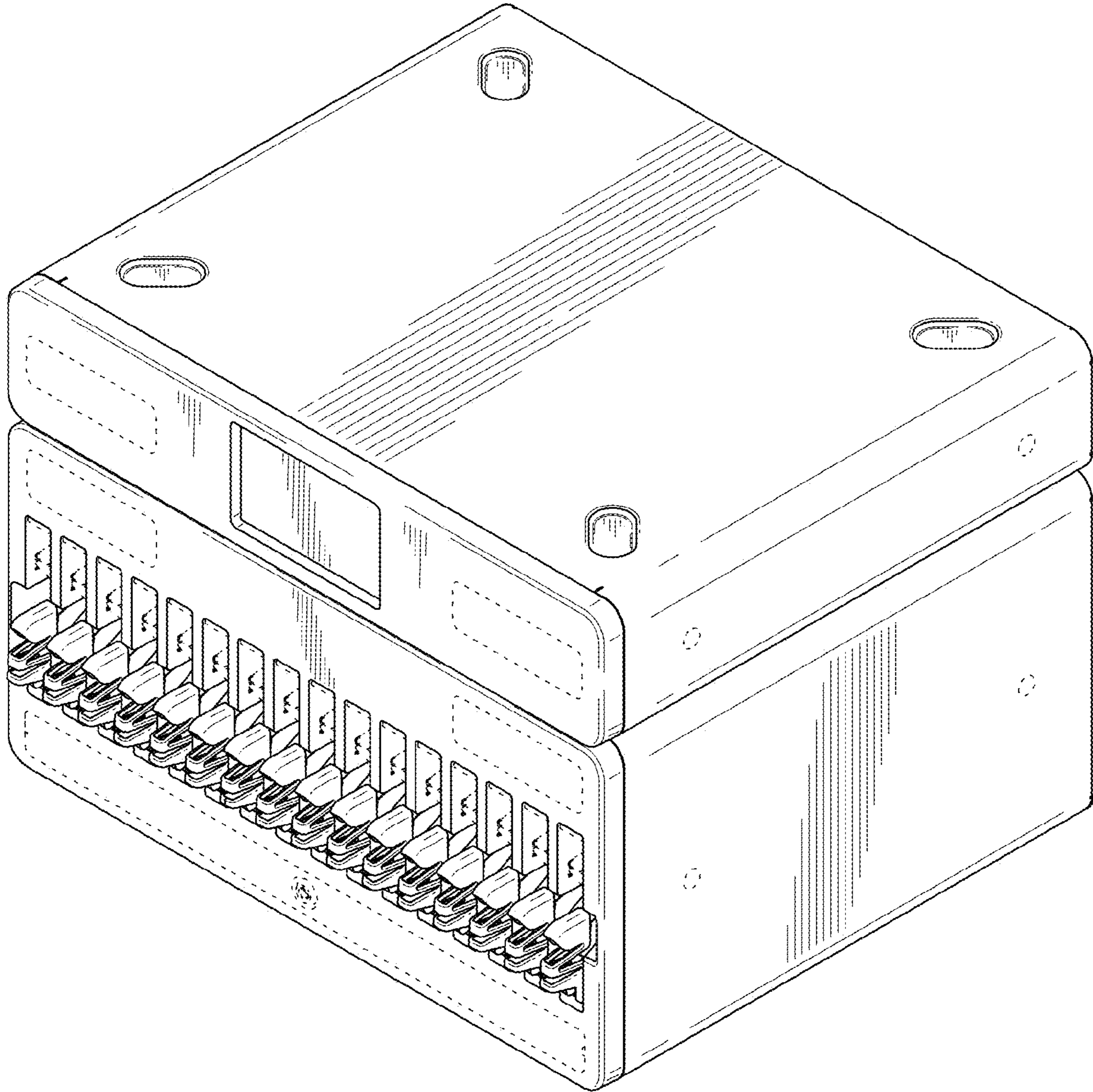


FIG. 1

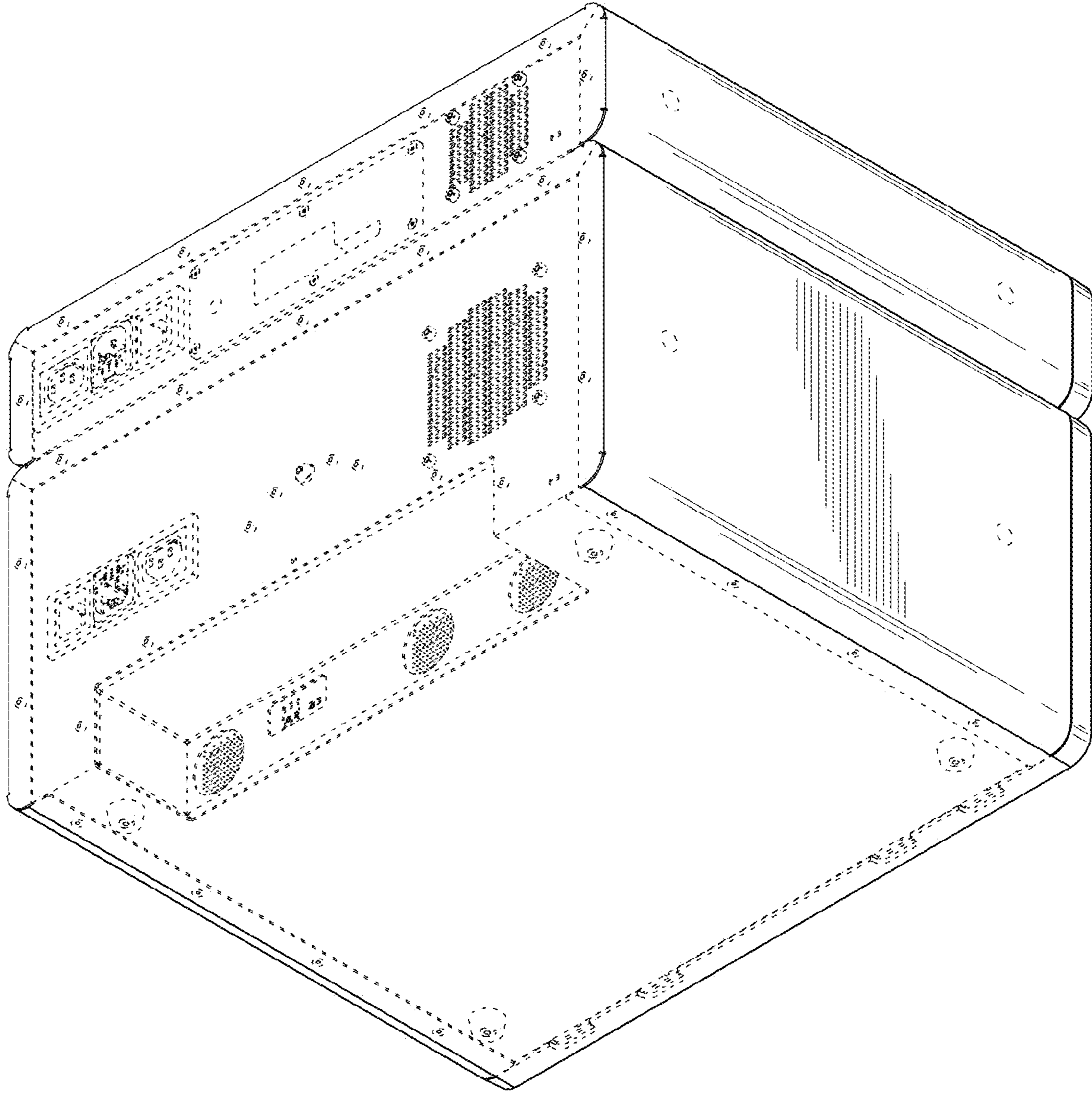


FIG. 2

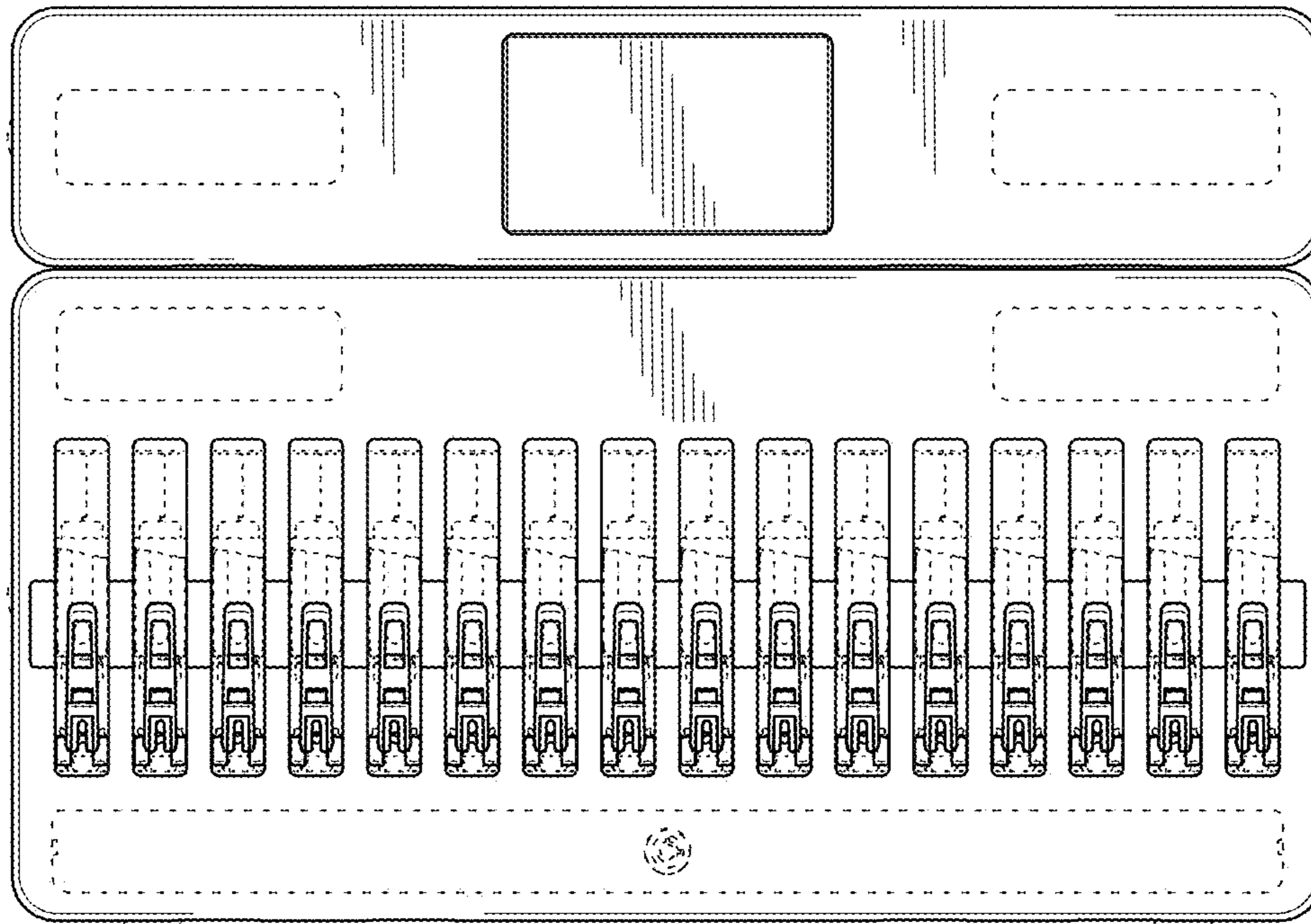


FIG. 3

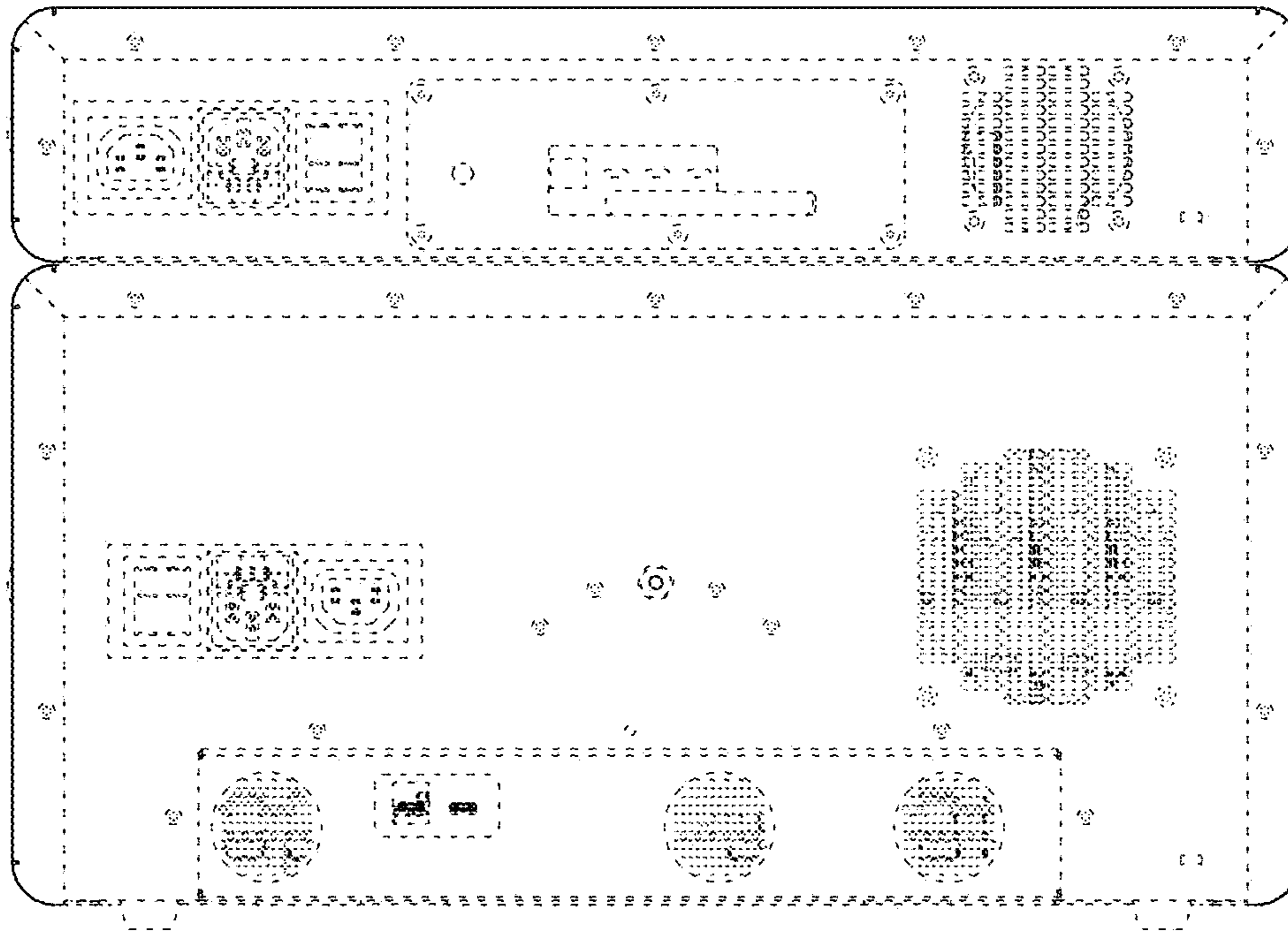


FIG. 4

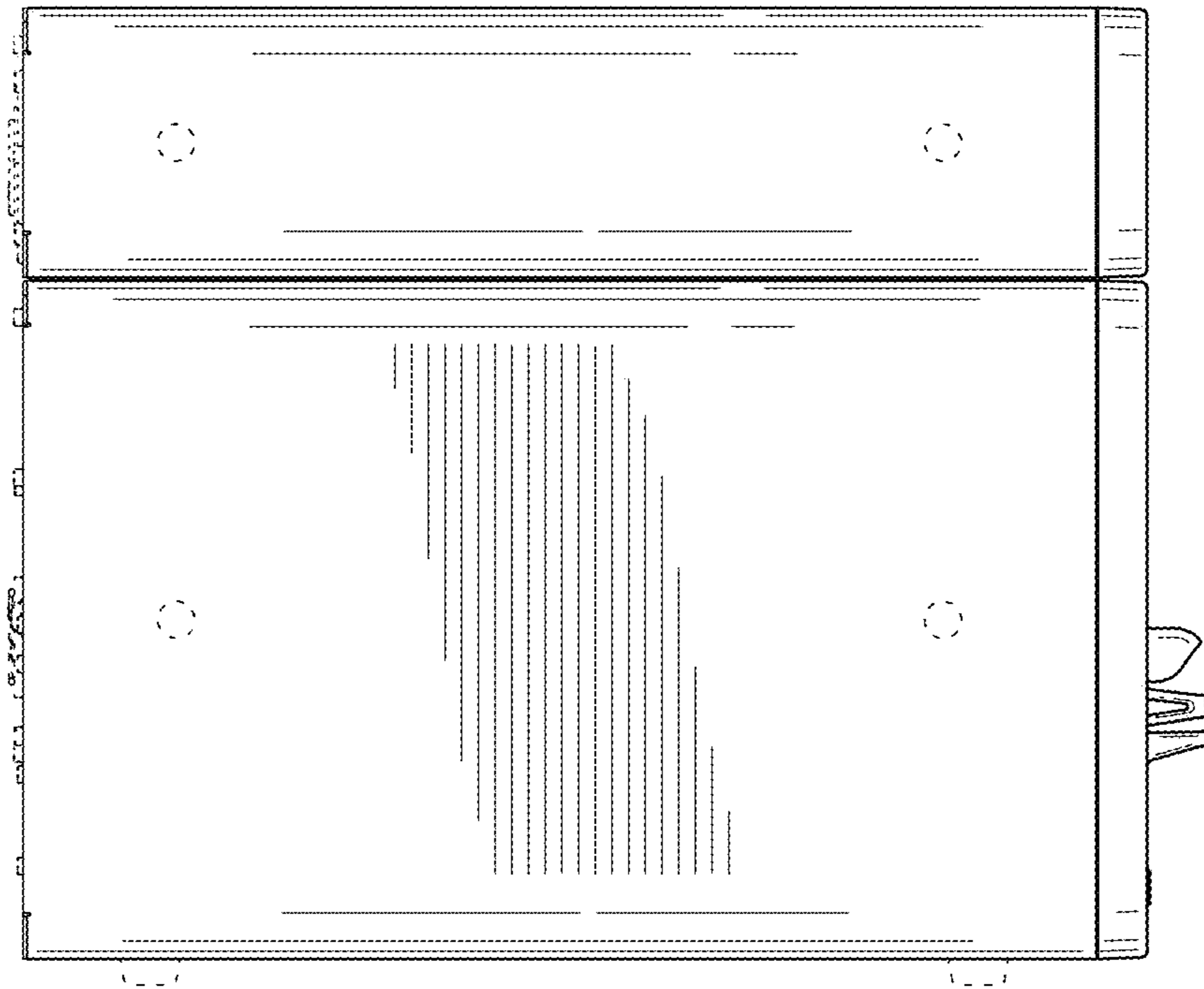


FIG. 5

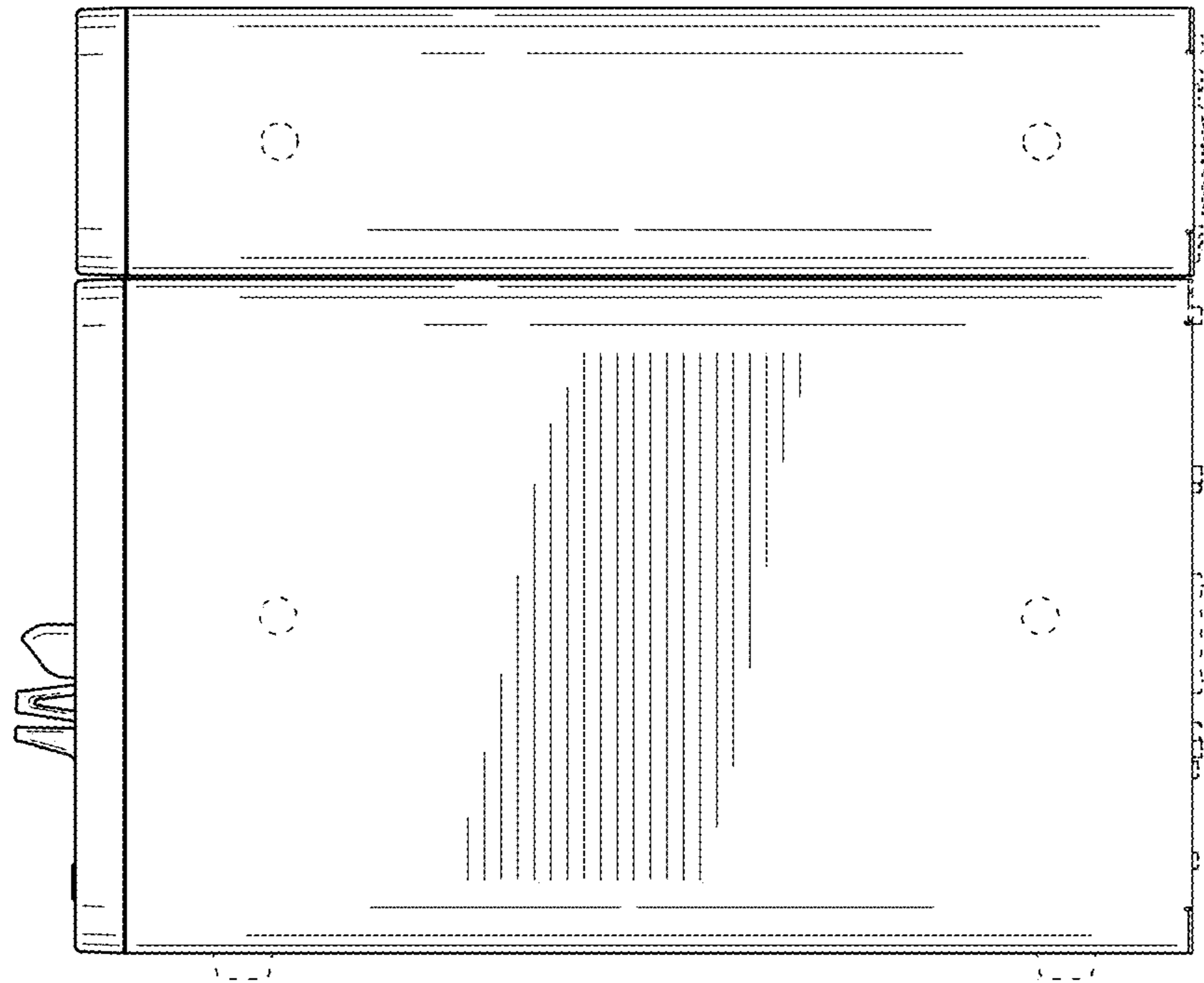


FIG. 6



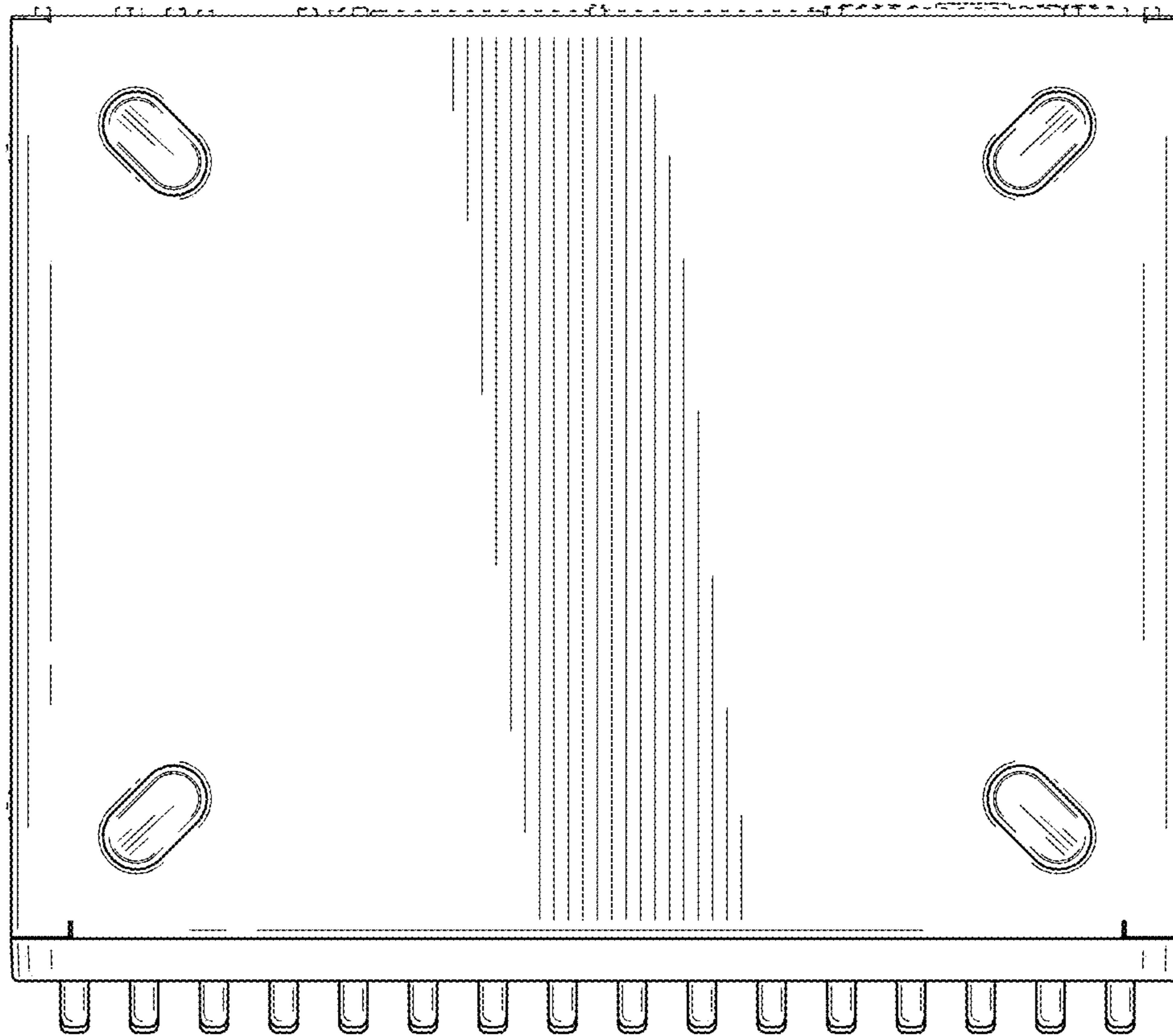


FIG. 7

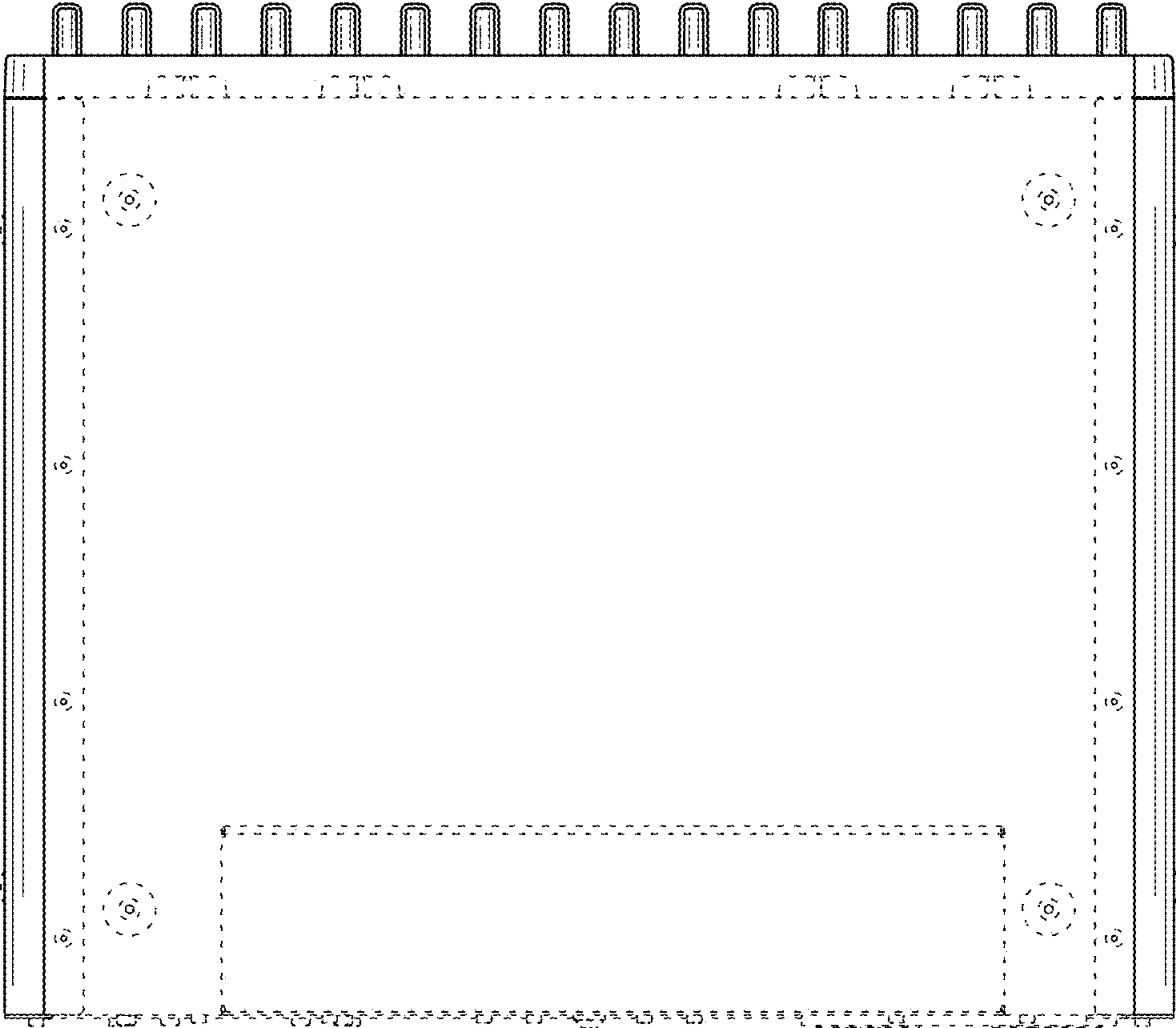


FIG. 8