



US00D935999S

(12) **United States Design Patent** (10) **Patent No.:** **US D935,999 S**  
**Fitch et al.** (45) **Date of Patent:** **\*\* Nov. 16, 2021**

(54) **CHARGER**

(71) Applicant: **Welch Allyn, Inc.**, Skaneateles Falls, NY (US)

(72) Inventors: **Timothy R. Fitch**, Batesville, IN (US);  
**David G. Perkins**, Batesville, IN (US);  
**Brian Perrault**, Batesville, IN (US);  
**Robert S. Englert**, Batesville, IN (US)

(73) Assignee: **WELCH ALLYN, INC.**, Skaneateles Falls, NY (US)

(\*\*) Term: **15 Years**

(21) Appl. No.: **29/693,835**

(22) Filed: **Jun. 5, 2019**

(51) **LOC (13) Cl.** ..... **13-02**

(52) **U.S. Cl.**  
USPC ..... **D13/108**

(58) **Field of Classification Search**  
USPC ..... D13/102, 103, 107, 108, 110, 112, 113,  
D13/118, 119, 184, 199  
CPC ..... Y02T 10/7005; Y02T 10/705; Y02T  
10/7088; H02J 7/025; H02J 7/0042; H02J  
7/0044; H02J 7/0045; H02J 7/0003; H01F  
38/14; H01M 2/02; H01M 2/022; H01M  
2/0202; H01M 2/0207; H01M 2/0212;  
H01M 2/1061; H01M 2/1022; H01M  
2/1055; H01M 2/1066; H01M 2/105;  
H01M 2/204; Y02E 60/12; Y02E 60/122;  
Y02E 60/124; Y02E 60/50

See application file for complete search history.

(56) **References Cited**

**U.S. PATENT DOCUMENTS**

D453,731 S \* 2/2002 Hauptli ..... D13/108  
D456,005 S \* 4/2002 Jokinen ..... D13/108  
D508,458 S 8/2005 Solland et al.  
D516,022 S \* 2/2006 Winkler ..... D13/108  
D525,583 S \* 7/2006 Vu ..... D13/108  
D562,762 S \* 2/2008 Saddlemire ..... D13/108

D563,314 S \* 3/2008 Kingston ..... D13/108  
D576,547 S \* 9/2008 Kling ..... D13/108  
D585,369 S \* 1/2009 Castellucci ..... D13/108

(Continued)

**OTHER PUBLICATIONS**

“Universal Charger and Desk Sets” [online] [retrieved Jun. 4, 2019], Retrieved from the Internet: <URL:https://www.welchallyn.com/en/products/categories/physical-exam/physical-exam-sets-and-systems/diagnostic-sets-portable/universal-charger-and-desk-sets.html> (dated Jun. 4, 2019).

(Continued)

*Primary Examiner* — Christy Nemeth

(74) *Attorney, Agent, or Firm* — Alston & Bird LLP

(57) **CLAIM**

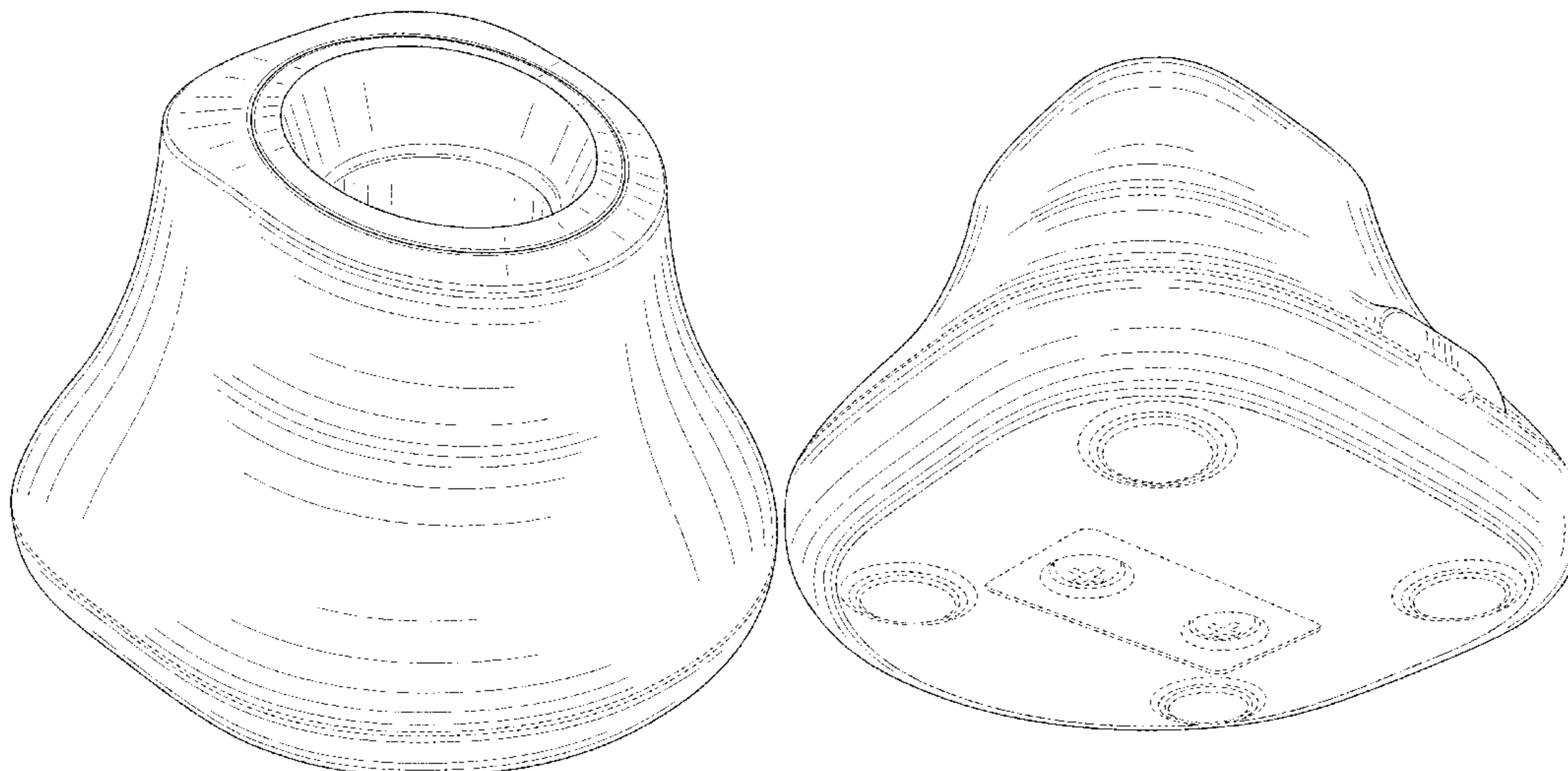
We claim the ornamental design for a charger, as shown and described.

**DESCRIPTION**

FIG. 1 is a perspective view of a charger showing our new design;  
FIG. 2 is another perspective view thereof;  
FIG. 3 is a front elevation view thereof;  
FIG. 4 is a rear elevation view thereof;  
FIG. 5 is a right side elevation view thereof;  
FIG. 6 is a left side elevation view thereof;  
FIG. 7 is a top plan view thereof;  
FIG. 8 is a bottom plan view thereof; and,  
FIG. 9 is a left side cross-section view thereof taken along line 9-9 in FIG. 3.

The dash-dot-dash broken lines adjacent shaded areas depict bounds of the claimed design and form no part of the claimed design. The dash-dash broken lines adjacent shaded areas depict bounds of the claimed design and features of the charger that form no part of the claimed design. All other broken lines depict features of the charger that form no part of the claimed design.

**1 Claim, 9 Drawing Sheets**



(56)

References Cited

U.S. PATENT DOCUMENTS

D601,497	S *	10/2009	Aglassinger	.....	D13/107
D608,732	S	1/2010	Hillard		
D621,347	S *	8/2010	Aulwes	.....	D13/108
D623,322	S *	9/2010	Wallach	.....	D26/38
D630,038	S *	1/2011	Englert	.....	D7/305
D659,093	S	5/2012	Schmid et al.		
D748,575	S *	2/2016	Bulgarov	.....	D13/108
D768,604	S *	10/2016	Flowers	.....	D14/217
D875,676	S *	2/2020	Segev	.....	D13/108
D883,200	S *	5/2020	Wong	.....	D13/108
D884,619	S *	5/2020	Liao	.....	D13/108
D890,088	S *	7/2020	Machida	.....	D13/107
D892,042	S *	8/2020	Hernandez	.....	D13/108
D893,421	S *	8/2020	Xiao	.....	D13/108
D896,175	S *	9/2020	Staffl	.....	D13/108
D897,282	S *	9/2020	Ye	.....	D13/107
D926,128	S *	7/2021	Perkins	.....	D13/108
2011/0219956	A1 *	9/2011	Englert	.....	A47J 27/21041 99/285

OTHER PUBLICATIONS

“UDC\_71140”, [online] [retrieved Jun. 4, 2019], Retrieved from the Internet:<URL:https://www.welchallyn.com/content/dam/welchallyn/images/Product-Images/Physical-Exam/Physical-Exam-Sets-And-Systems/Diagnostic-Sets-Portable/Universal-Charger-And-Desk-Sets/udc\_71140.jpg> (dated Jun. 4, 2019).

“UDC\_COPH-MV-NIH\_71641”[online] [retrieved Jun. 4, 2019], Retrieved from the Internet:<URL:https://www.welchallyn.com/content/dam/welchallyn/images/Product-Images/Physical-Exam/

Physical-Exam-Sets-And-Systems/Diagnostic-Sets-Portable/Universal-Charger-And-Desk-Sets/udc\_coph-mv-nih\_71641-m.jpg> (dated Jun. 4, 2019).

“1717296”, [online] [retrieved Jun. 4, 2019], Retrieved from the Internet:URL:https://eshop.haagstreituk.com/sites/eshop.haagstreituk.com/files/products/1717296.jpg> (dated Jun. 4, 2019).

“1717294”, [online] [retrieved Jun. 4, 2019], Retrieved from the Internet:URL:https://eshop.haagstreituk.com/sites/eshop.haagstreituk.com/files/products/1717294.jpg> (dated Jun. 4, 2019).

“WAL00147”, [online] [retrieved Jun. 4, 2019], Retrieved from the Internet:URL:https://cdn-1.au.xmsymphony.com/4d9c396d11102d97ff4226a2e42b15a4/contents/WAL00147/WAL00147.gif> (dated Jun. 4, 2019).

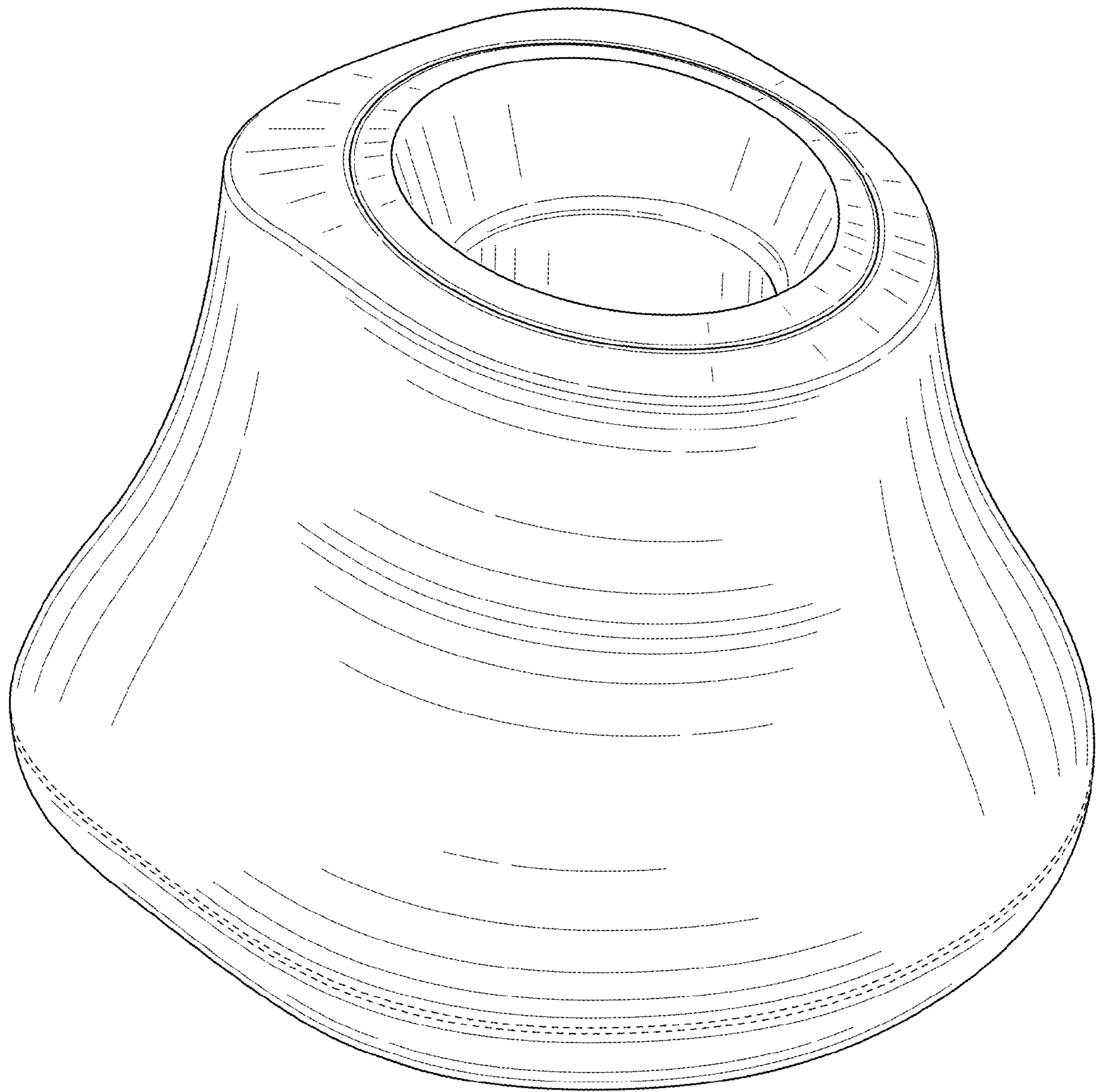
“Lithium-Handle-Pod Charger-Welch-Allyn”[online] [retrieved Jun. 10, 2019], Retrieved from the Internet:<URL:https://cdn.shopify.com/s/files/1/0857/0520/products/Lithium-Handle-Pod\_-Charger-Welch-Allyn-71906-1\_grande.jpg?v=1504670572> (dated Jun. 4, 2019).

“3.5 V Lithium Ion Rechargeable Handle” [online] [retrieved May 15, 2019], Retrieved from the Internet:<URL:https://www.welchallyn.com/en/products/categories/physical-exam/power-handles/3-5-v-lithium-ion-rechargeable-handle.html> (dated May 15, 2019).

“71900-USB” [online] [retrieved May 15, 2019], Retrieved from the Internet:<URL:https://www.welchallyn.com/content/dam/welchallyn/images/Product-Images/Physical-Exam/Power-Handles/3-5-V-Lithium-Ion-Rechargeable-Handle/3-5-V-Lithium-Ion-Rechargeable-Handle/71900-USB.jpg> (dated May 15, 2019).

“\$ \_12 ”[online] [retrieved Jun. 10, 2019], Retrieved from the Internet:<URL:https://i.ebayimg.com/00/s/OTc2WDE2MDA=/z/tTgAAOSwHAXcJZiR/\$\_12.JPG?set\_id=880000500F> (dated Jun. 4, 2019).

\* cited by examiner



**FIG. 1**

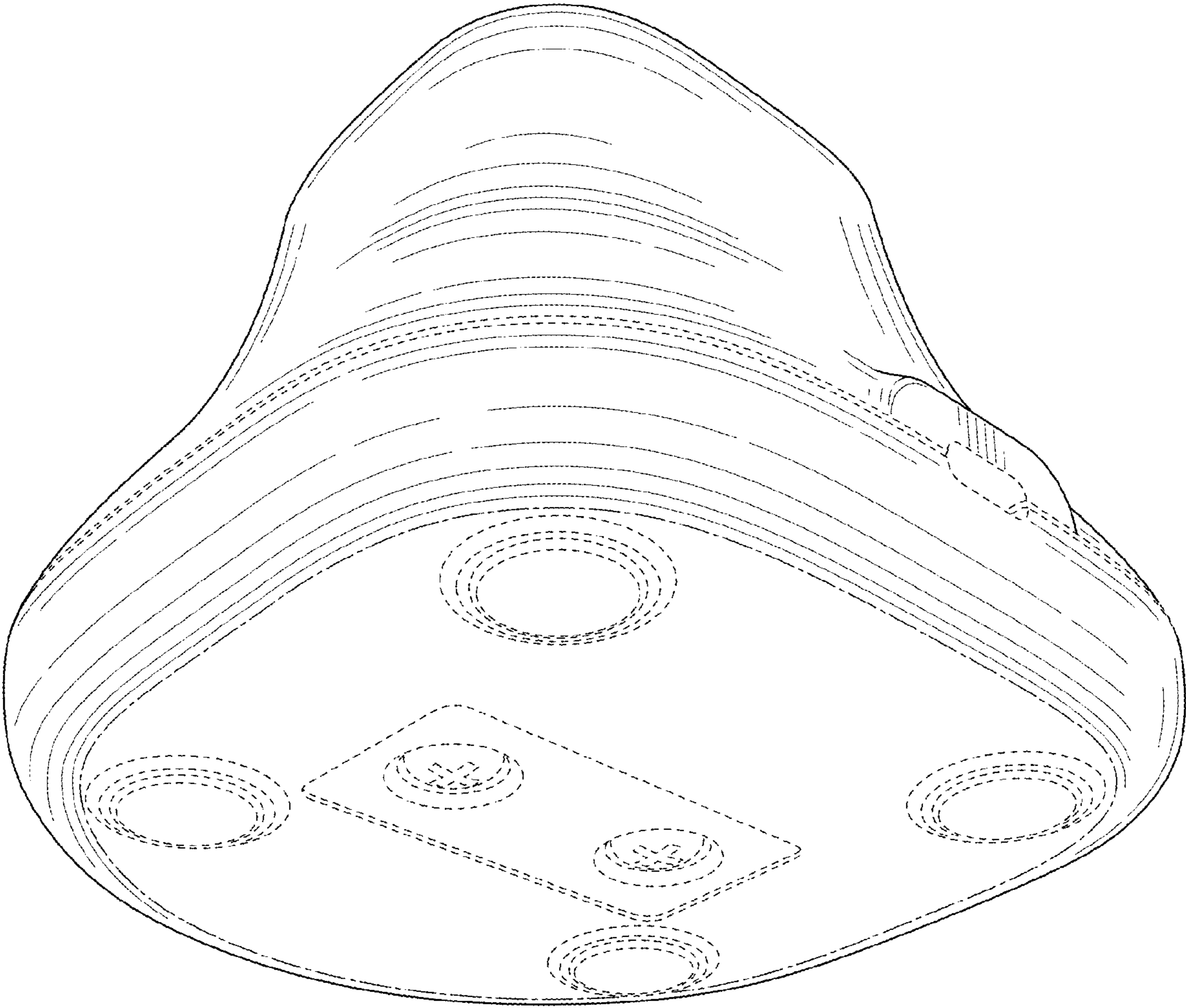


FIG. 2

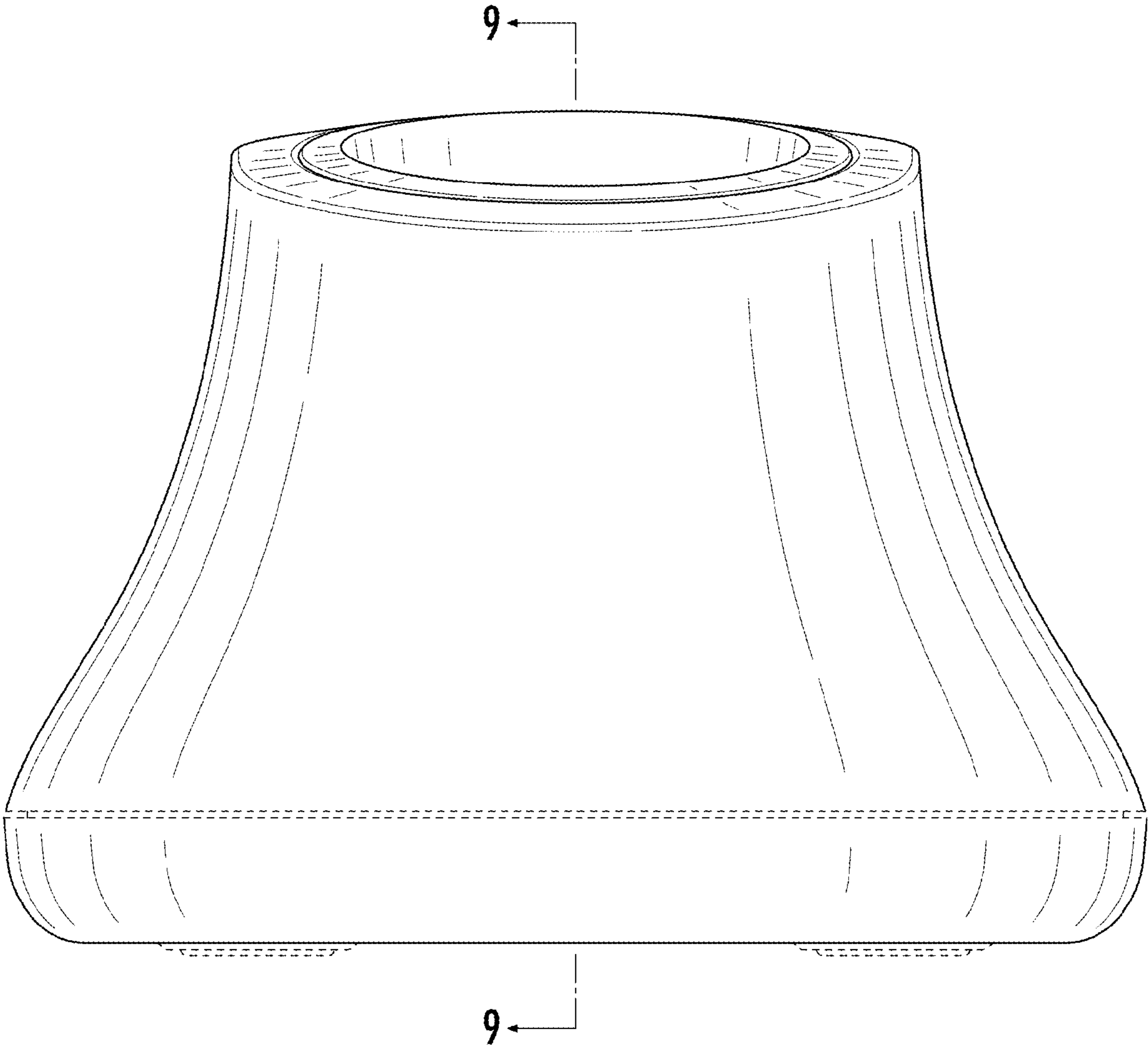


FIG. 3

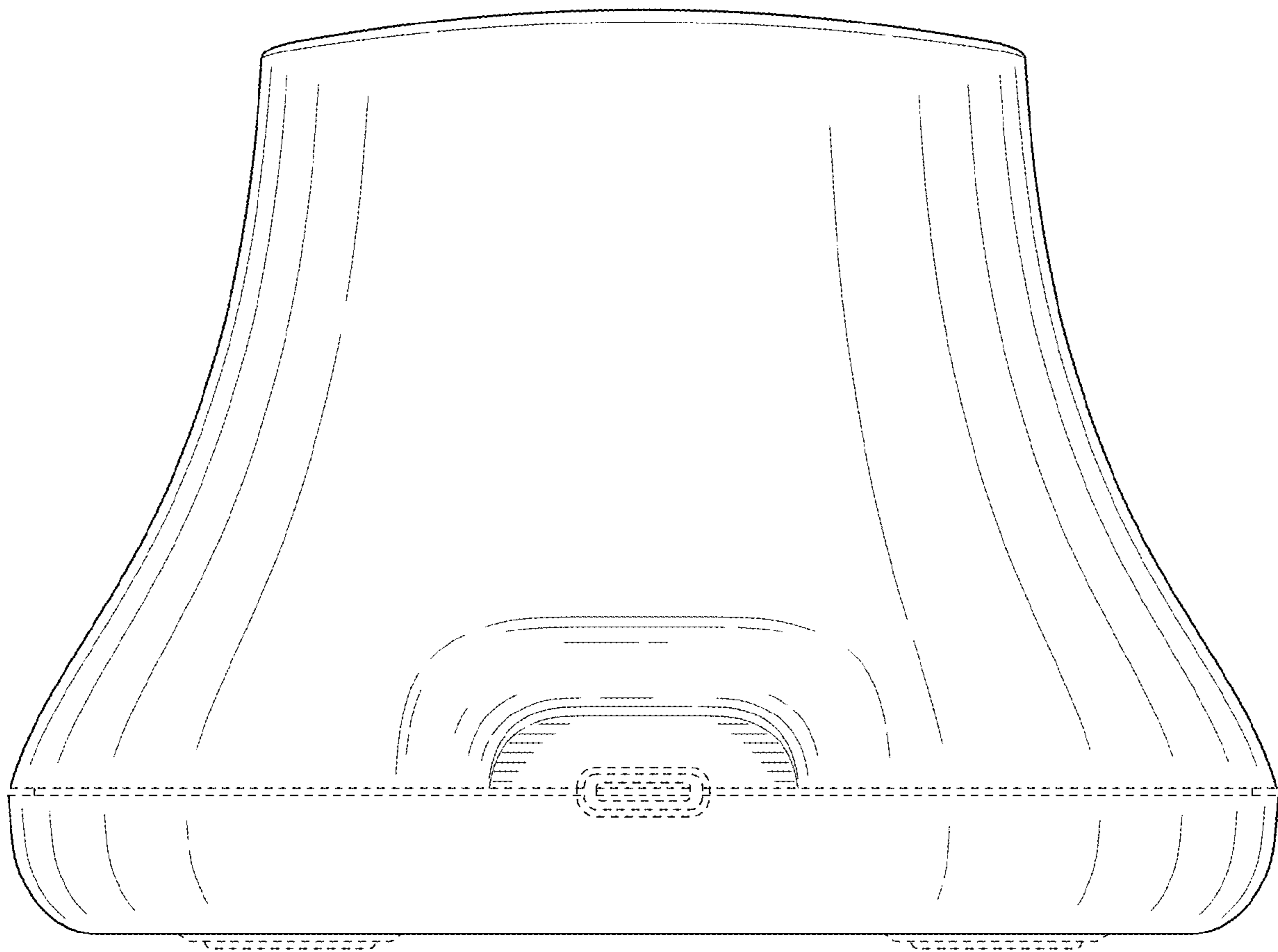
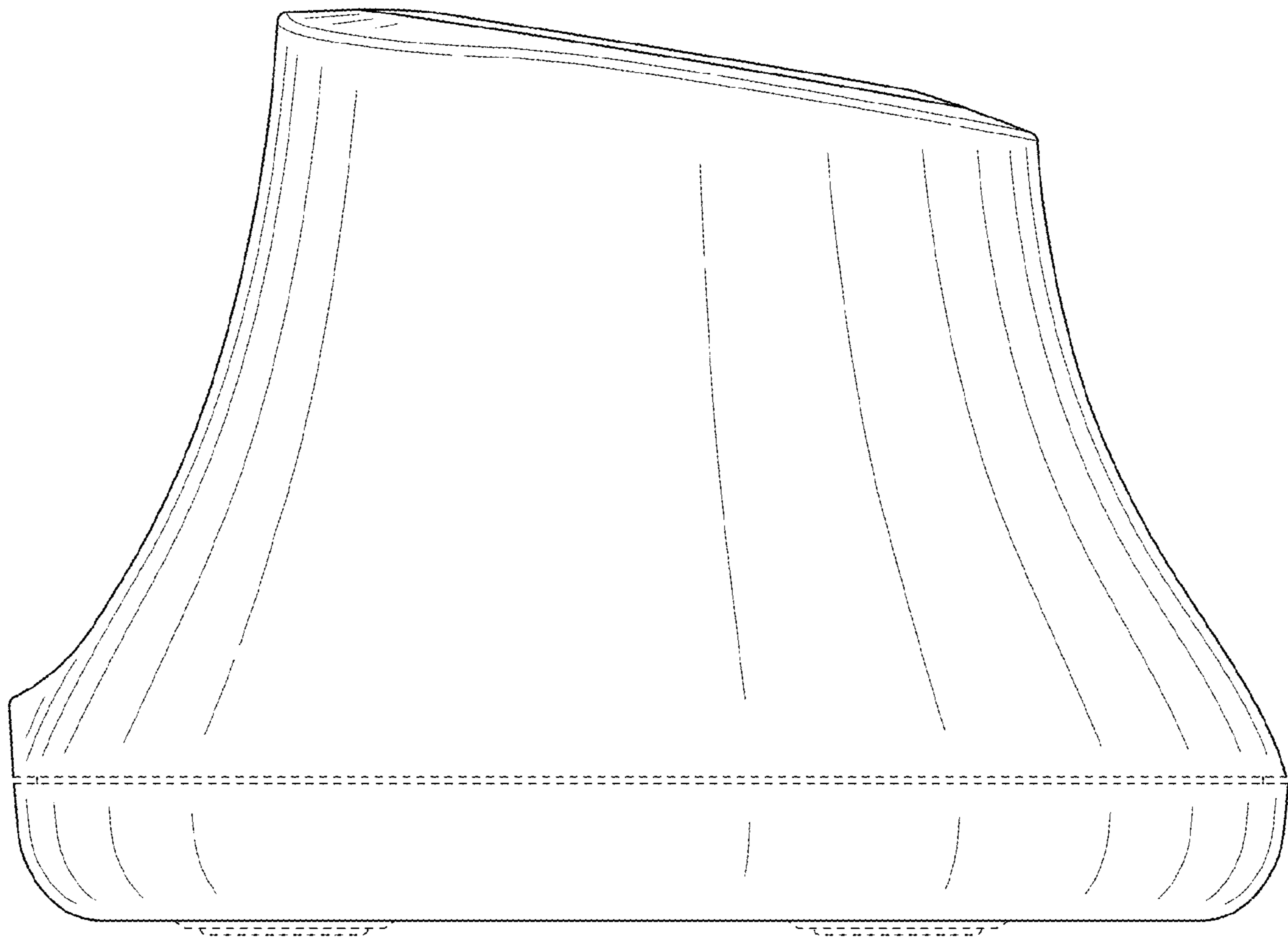


FIG. 4



**FIG. 5**

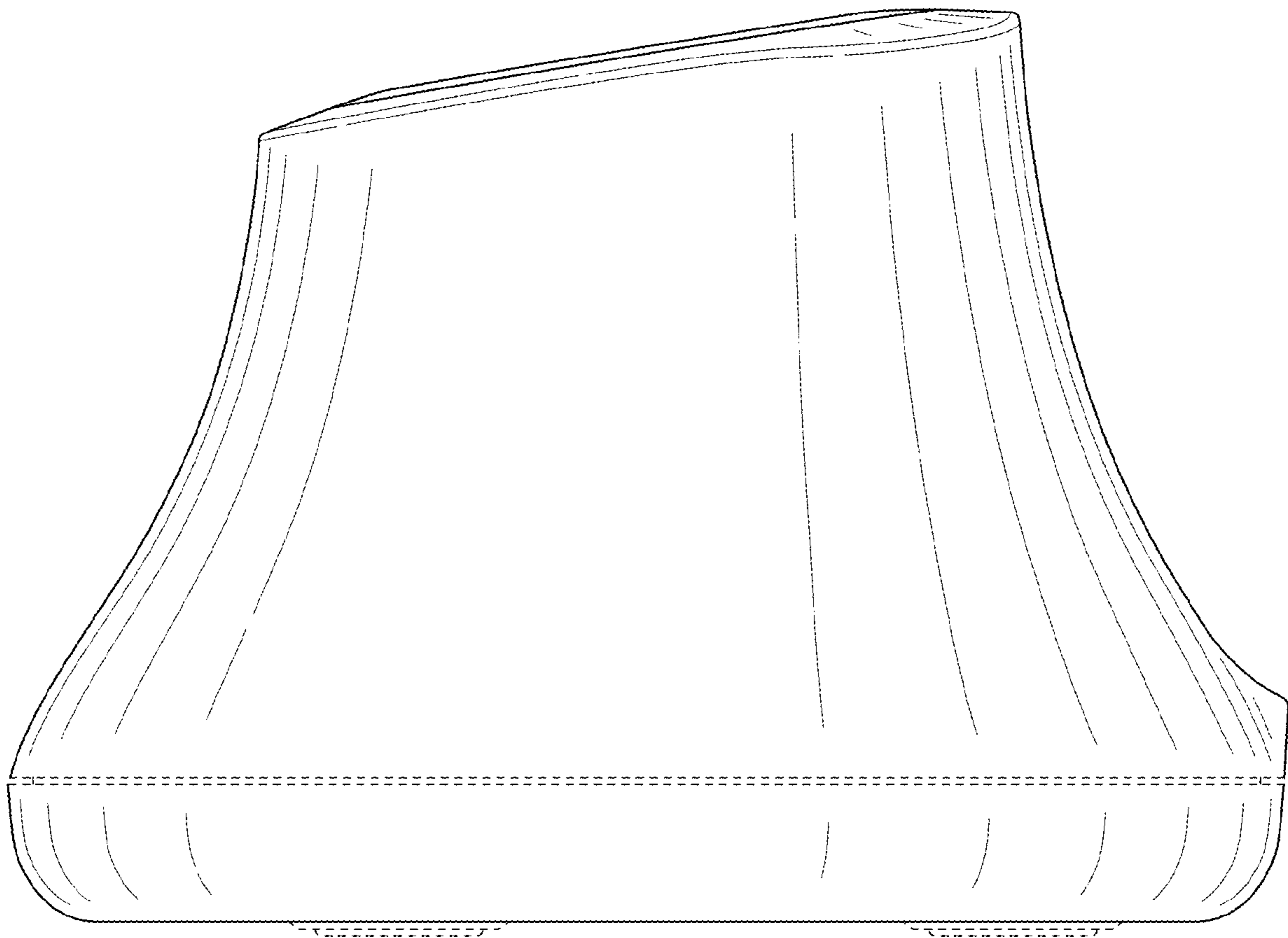


FIG. 6



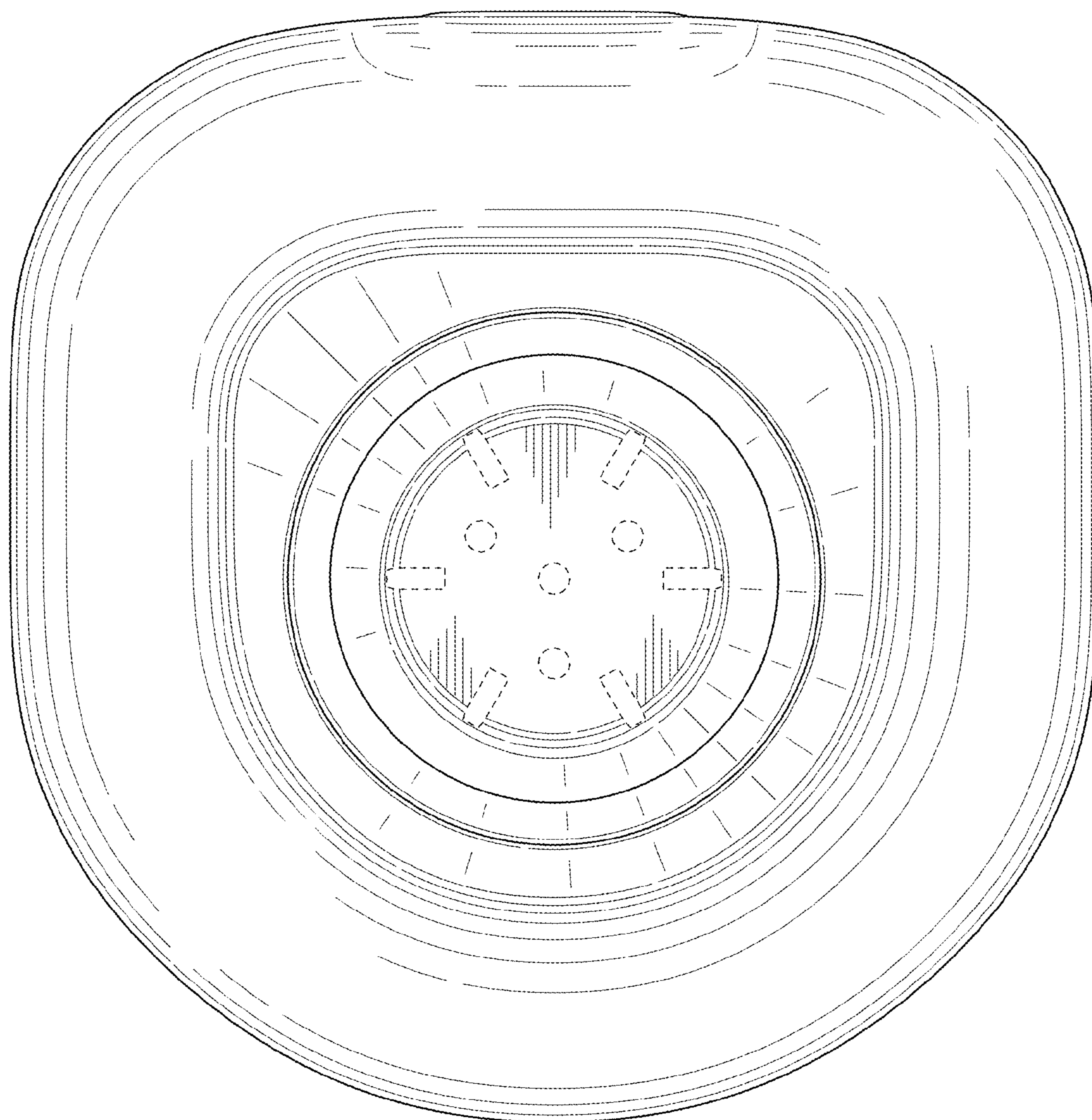
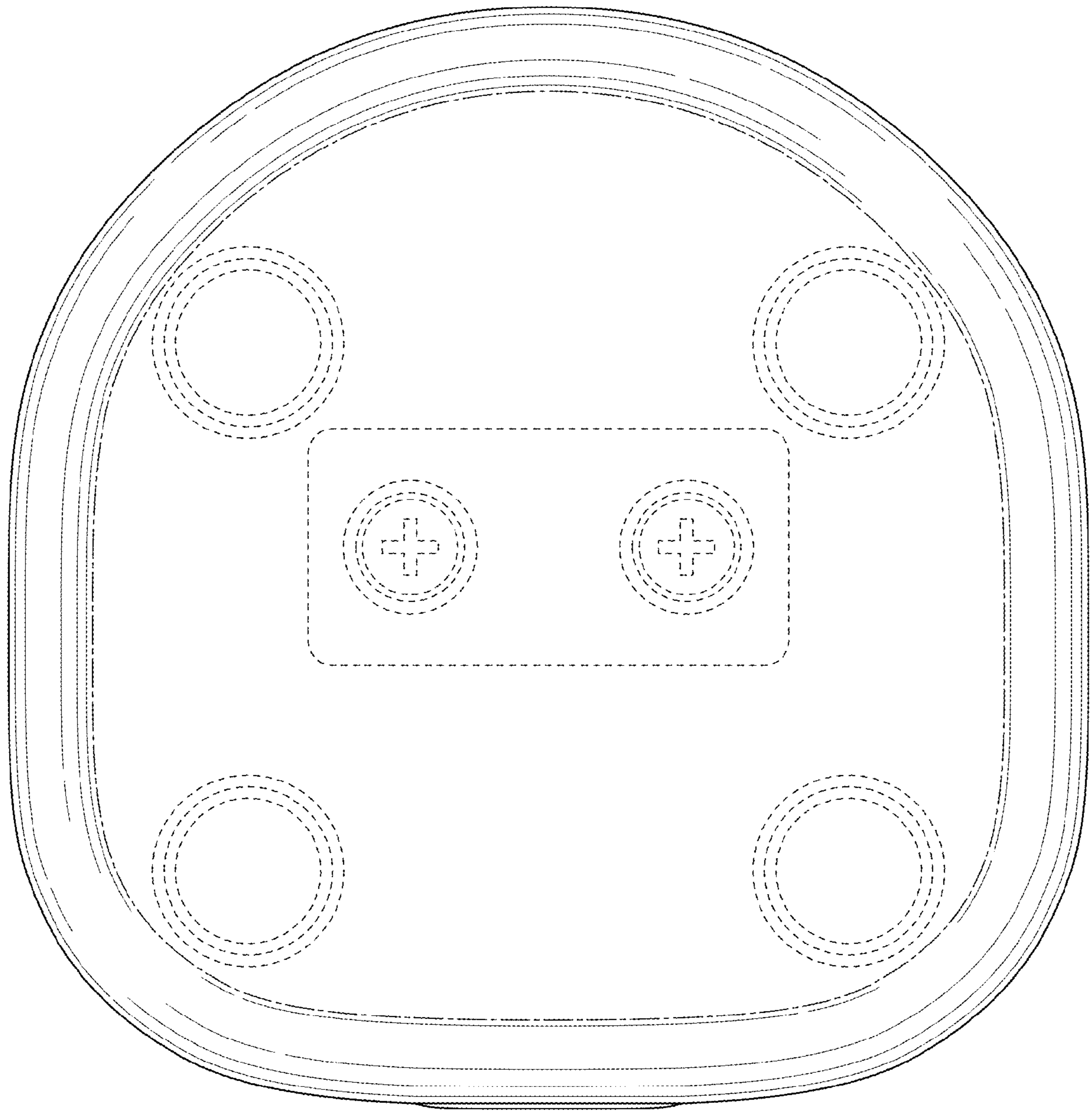


FIG. 7



**FIG. 8**

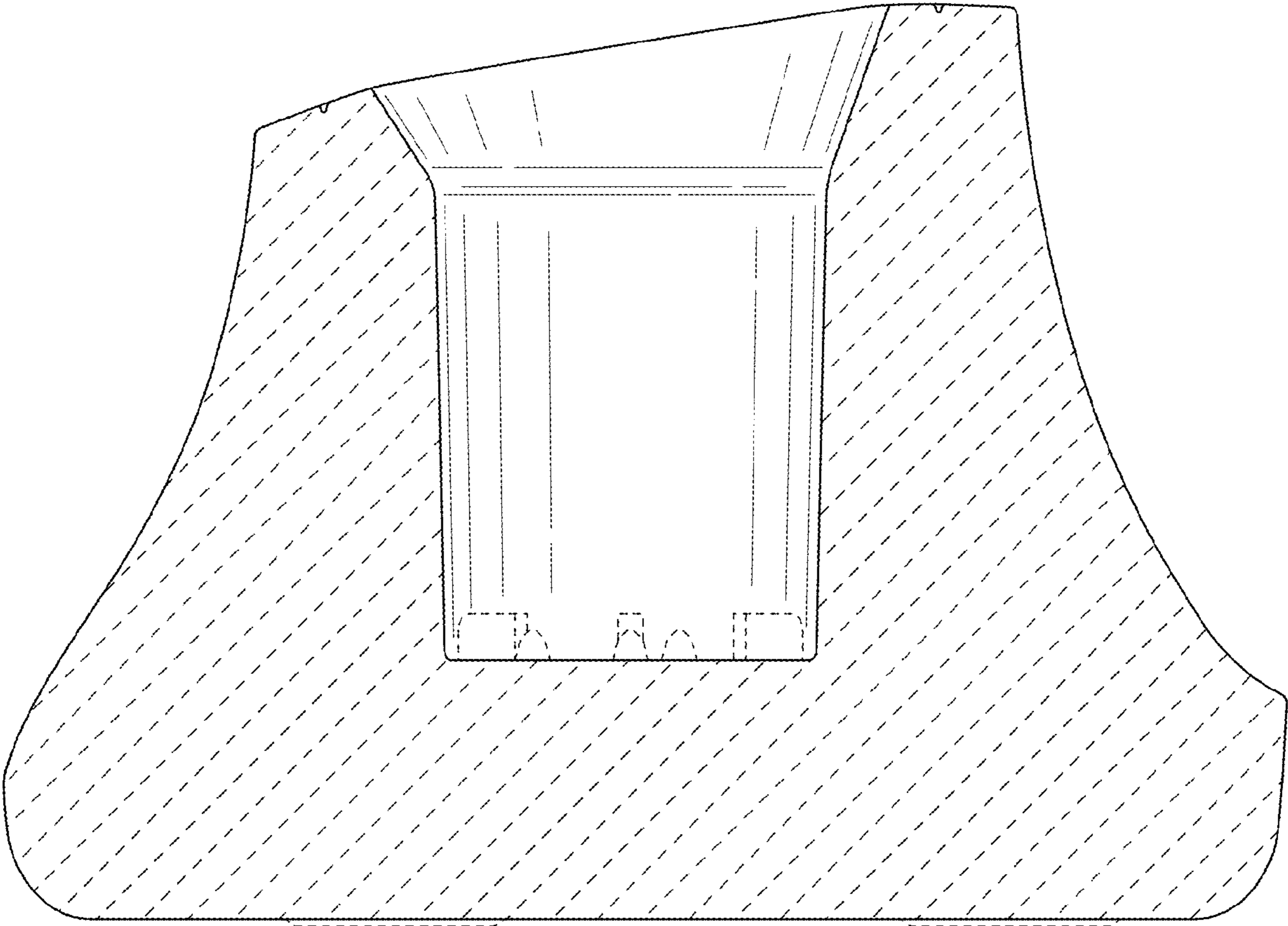


FIG. 9