



US00D935998S

(12) **United States Design Patent** (10) **Patent No.:** **US D935,998 S**
Nikoozadeh et al. (45) **Date of Patent:** **** Nov. 16, 2021**

(54) **BATTERY CHARGER WITH BATTERY**

11/00; H01R 9/00; H01R 13/00; H01R 13/04; H01R 13/10; H01R 13/6666; H01R 13/6675; H01R 25/00; H01R 25/006; H01H 2207/00; H01H 2207/022

(71) Applicant: **Vave Health, Inc.**, Santa Clara, CA (US)

See application file for complete search history.

(72) Inventors: **Amin Nikoozadeh**, Redwood City, CA (US); **Salomon Durrani**, Redwood City, CA (US); **Ruby Gill**, Redwood City, CA (US); **Caroline D. Zeisbrich**, Redwood City, CA (US); **Bret Recor**, Redwood City, CA (US); **Merric French**, Redwood City, CA (US); **Charles Weber**, Redwood City, CA (US); **Kenneth Young**, Redwood City, CA (US); **Ahyoung Park**, Redwood City, CA (US); **Virosh Rangalla**, Redwood City, CA (US)

(56) **References Cited**

U.S. PATENT DOCUMENTS

D460,041	S	*	7/2002	Tsay	D13/107
D645,817	S	*	9/2011	Sasada	D13/108
D733,050	S	*	6/2015	Chiang	D13/108
D791,077	S	*	7/2017	Tsou	D13/108
D815,037	S	*	4/2018	Chen	D13/108
D839,823	S	*	2/2019	Lemelson	D13/103

(Continued)

Primary Examiner — Christy Nemeth

(73) Assignee: **VAVE HEALTH, INC.**, Santa Clara, CA (US)

(74) *Attorney, Agent, or Firm* — Wilson Sonsini Goodrich & Rosati

(**) Term: **15 Years**

(57) **CLAIM**

(21) Appl. No.: **29/677,580**

The ornamental design for a battery charger with battery, as shown and described.

(22) Filed: **Jan. 22, 2019**

DESCRIPTION

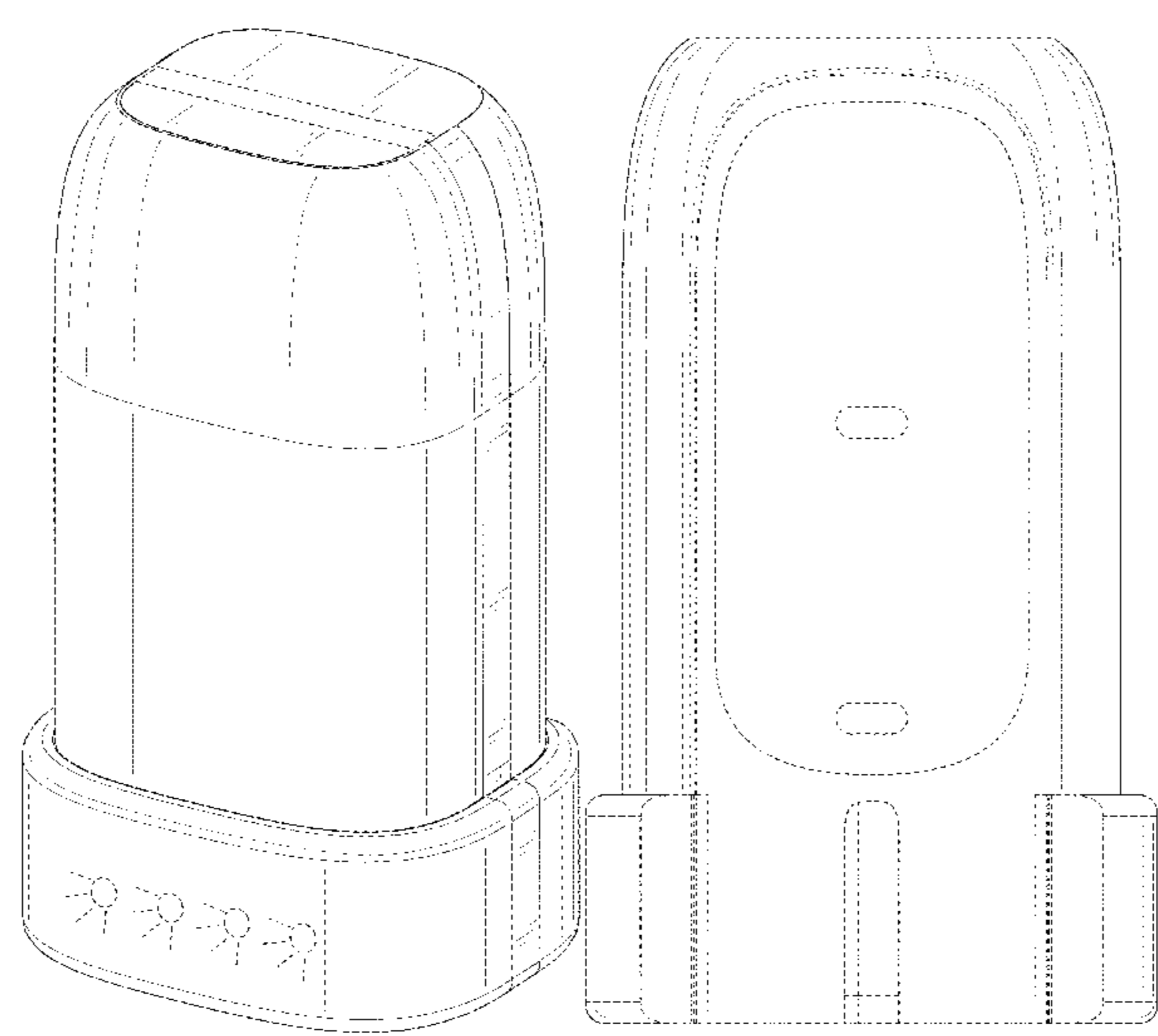
(51) **LOC (13) Cl.** **13-02**

(52) **U.S. Cl.**
USPC **D13/108; D13/103**

(58) **Field of Classification Search**
USPC D13/103, 107, 108, 110, 137.1–137.4, D13/138.1–138.2, 139.1–139.8, 152, 154, D13/158, 171, 174, 184, 199; D14/250, D14/251, 253, 432, 434
CPC Y02E 60/12; Y02E 60/122; Y02E 60/124; Y02E 60/50; H01M 2/02; H01M 2/022; H01M 2/0202; H01M 2/0207; H01M 2/0212; H01M 2/1061; H01M 2/1022; H01M 2/1055; H01M 2/1066; H01M 2/105; H01M 2/204; H01M 2/202; H01M 2/206; H01M 10/4257; H01M 10/0436; H01M 10/48; H01M 10/44; H01M 10/46; H01M 10/465; H01M 10/482; H01R

FIG. 1 is a top, front, left side perspective view of a battery charger with battery of our new design; FIG. 2 is a front elevational view thereof; FIG. 3 is a rear elevational view thereof; FIG. 4 is a right side elevational view thereof; FIG. 5 is a left side elevational view thereof; FIG. 6 is a top plan view thereof; FIG. 7 is a bottom plan view thereof; FIG. 8 is an exploded top, rear, right side perspective view of the battery charger with battery; and, FIG. 9 is an exploded top, front, left side perspective view of the battery charger with battery. The broken lines in the drawings illustrate portions of the article which form no part of the claimed design.

1 Claim, 9 Drawing Sheets



(56)

References Cited

U.S. PATENT DOCUMENTS

D843,938	S	*	3/2019	Park	D13/108
D844,555	S	*	4/2019	McLean	D13/103
D851,038	S	*	6/2019	Peng	D13/110
D875,038	S	*	2/2020	Droge	D13/107
D876,526	S	*	2/2020	Fuller	D16/237
D881,120	S	*	4/2020	Ai	D13/103
D901,382	S	*	11/2020	Zhang	D13/108
D904,977	S	*	12/2020	Deng	D13/108
D912,622	S	*	3/2021	Zhou	D13/108
D922,315	S	*	6/2021	Zhang	D13/108
D926,356	S	*	7/2021	Liu	D27/162

* cited by examiner

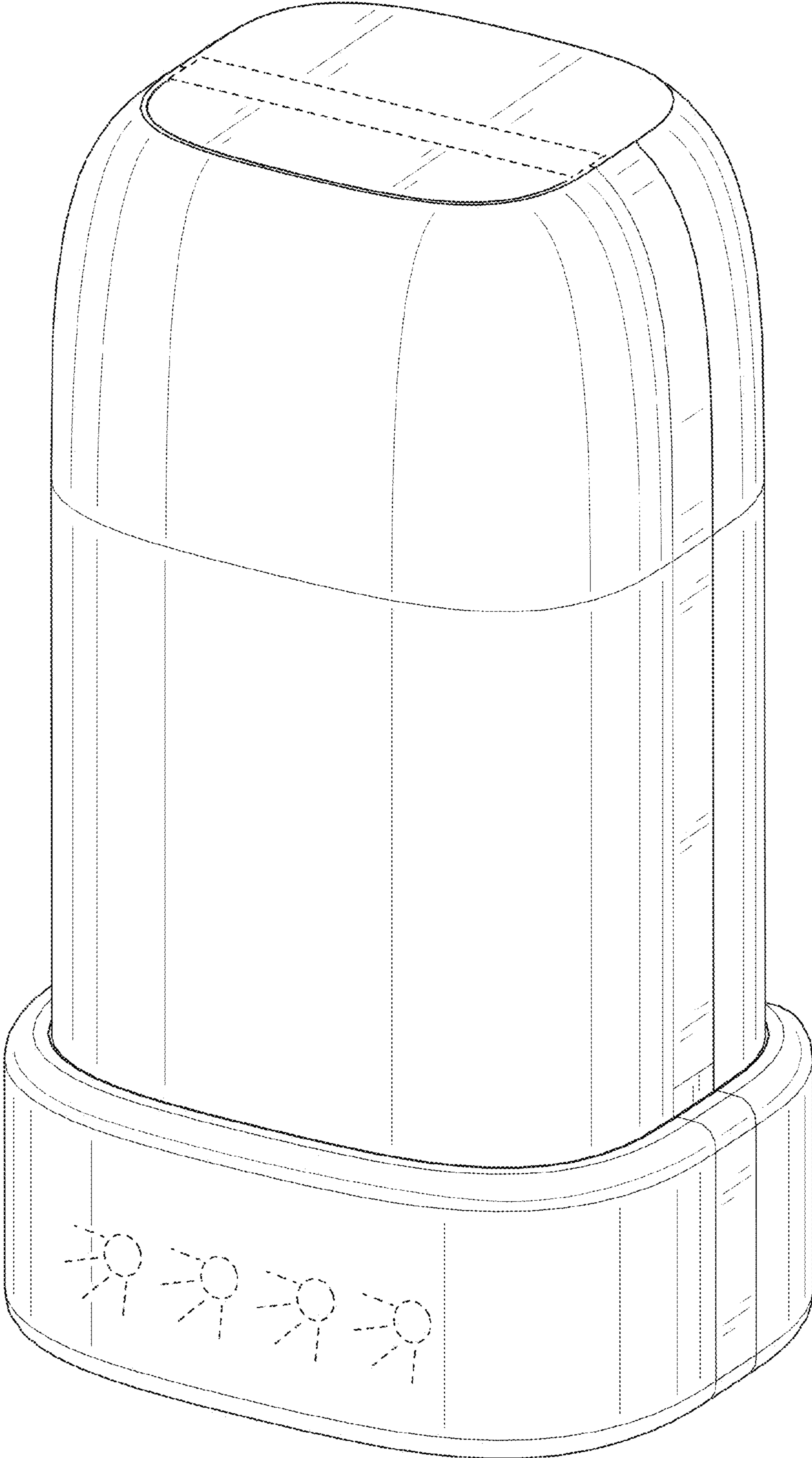


FIG. 1

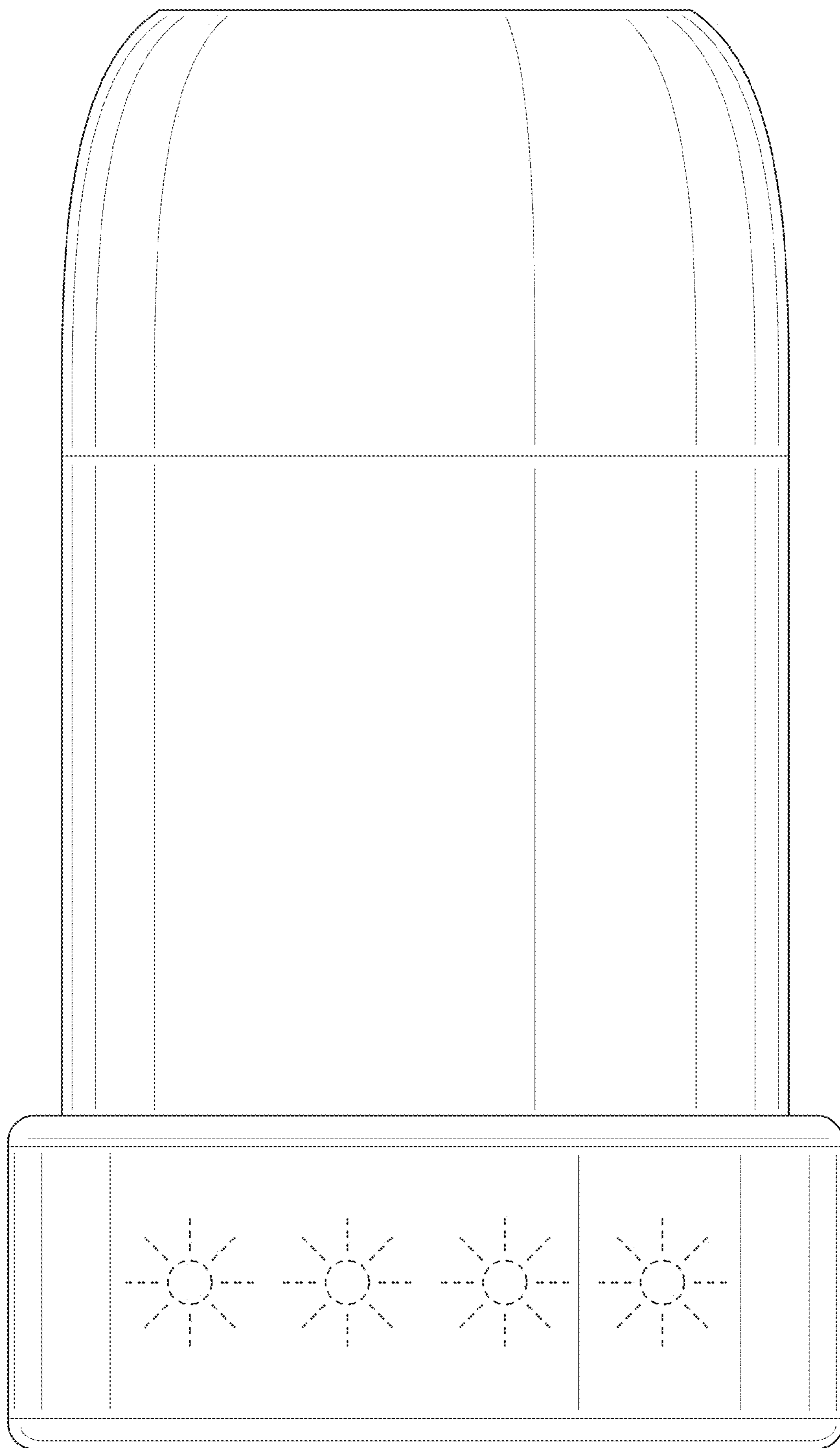


FIG. 2

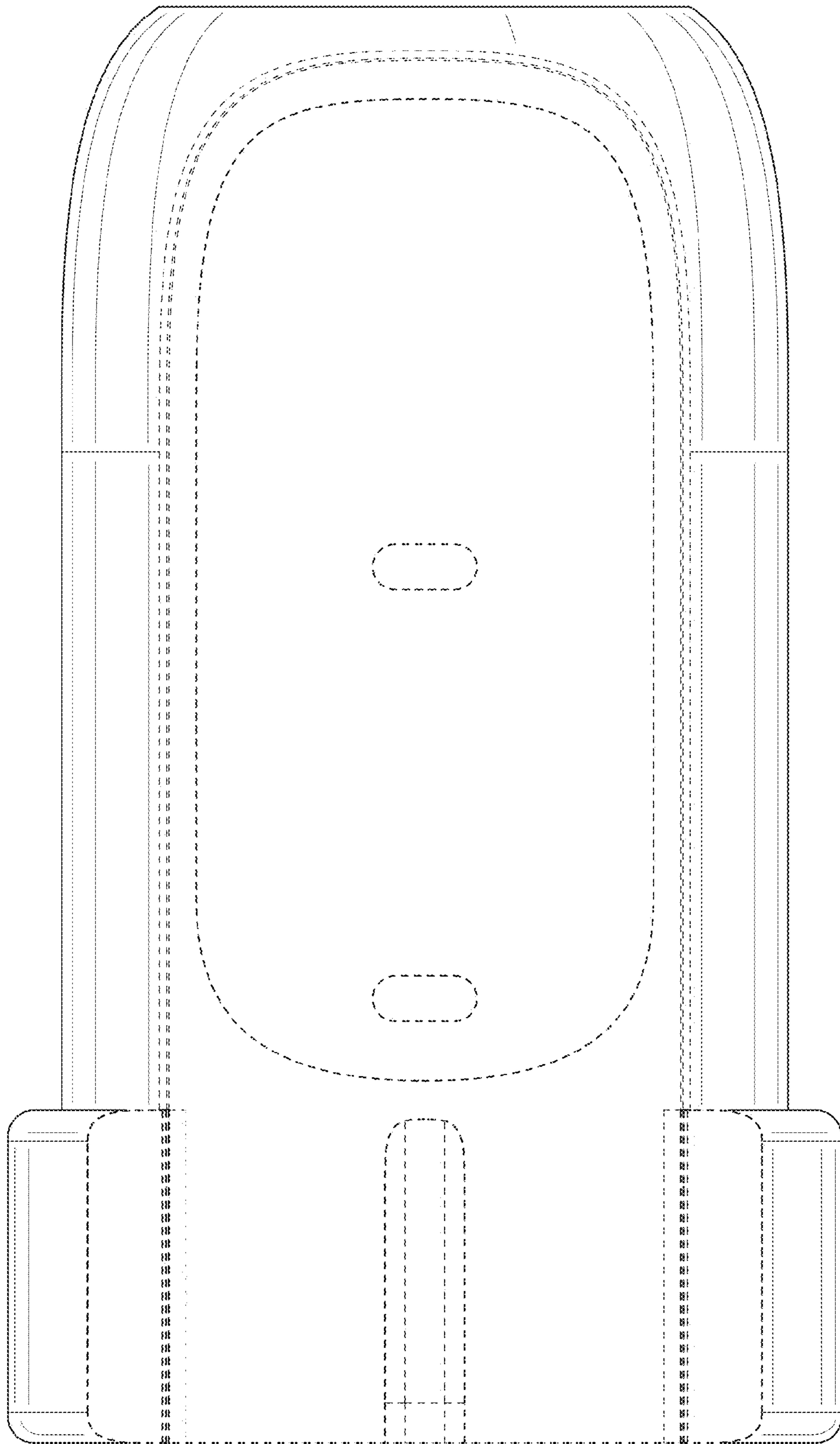


FIG. 3

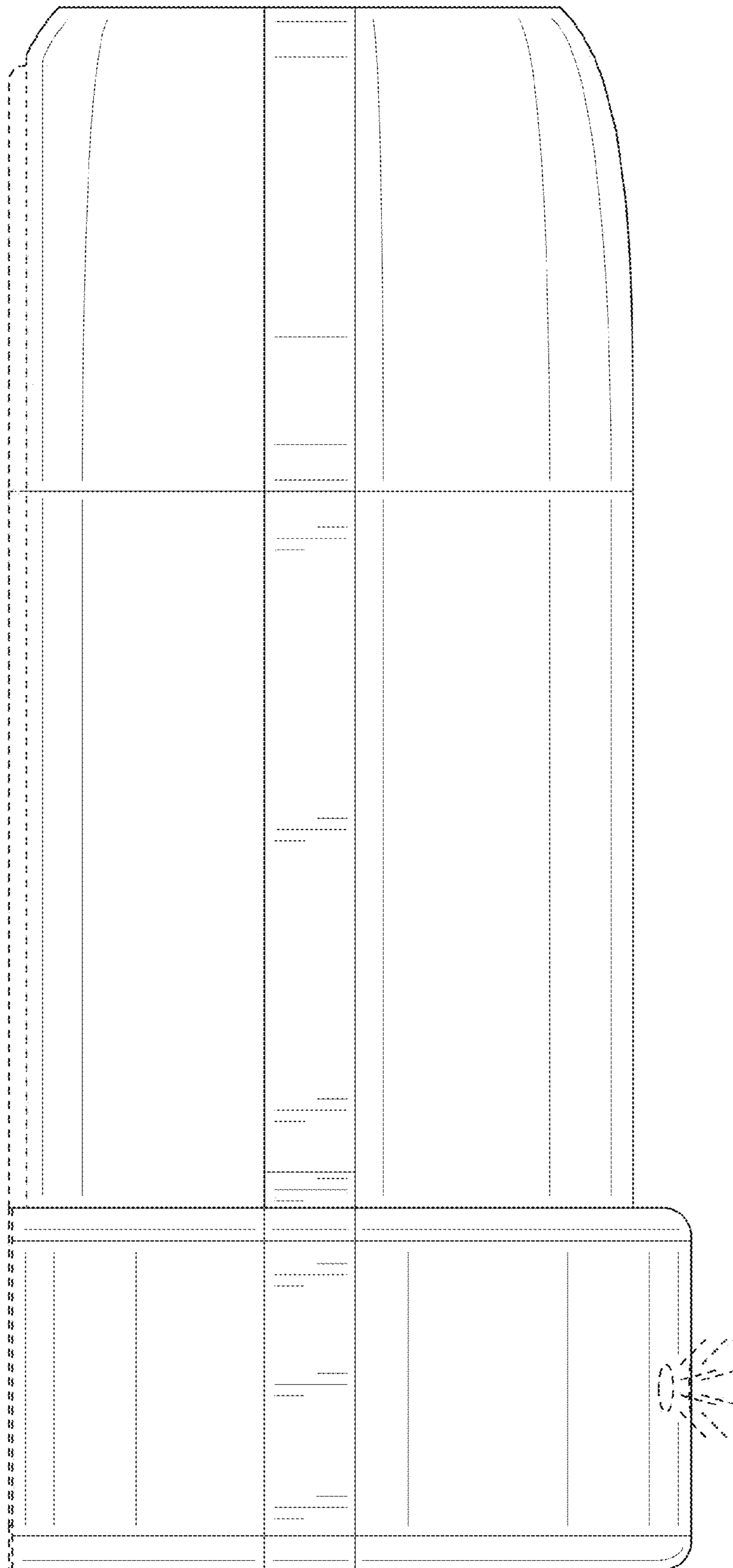


FIG. 4

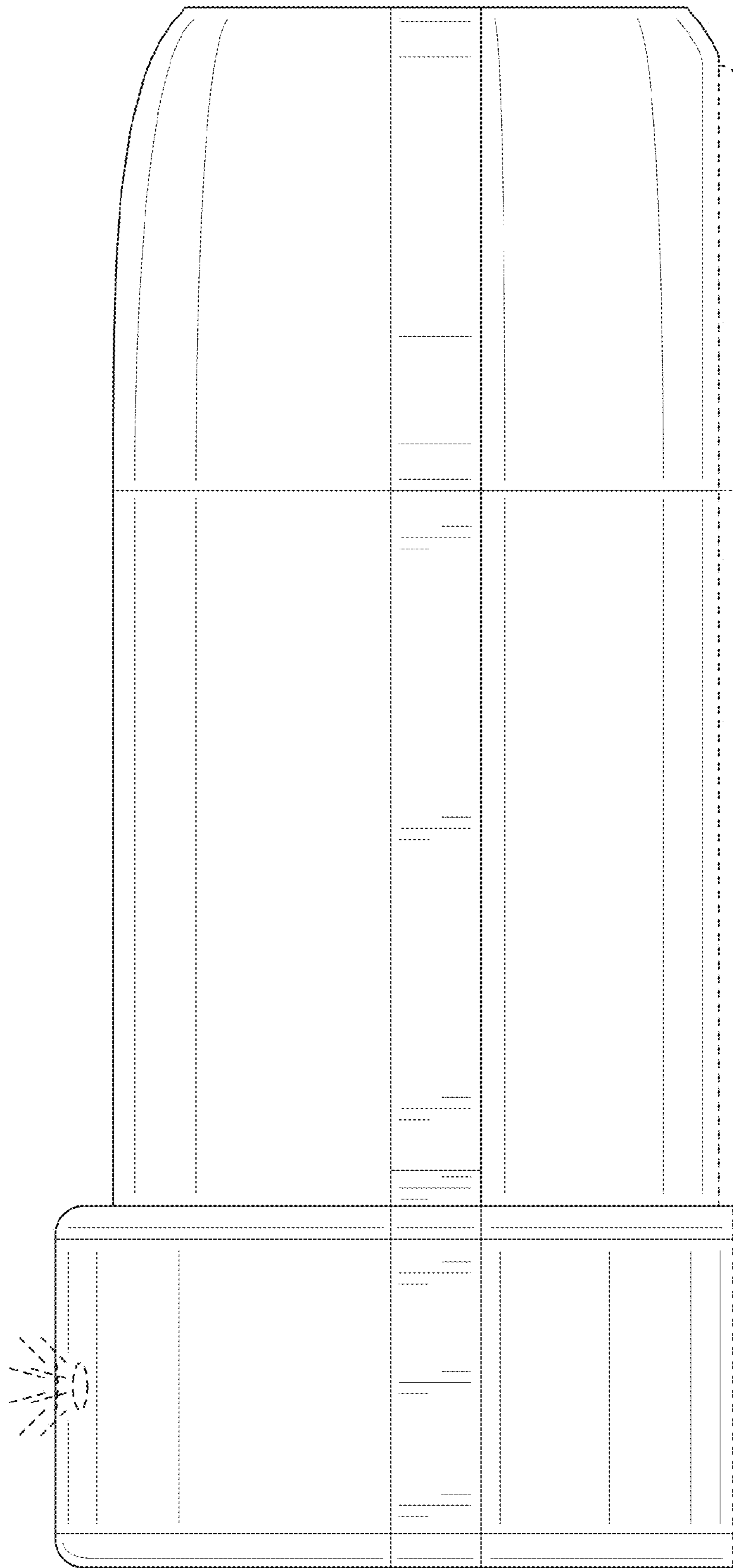


FIG. 5

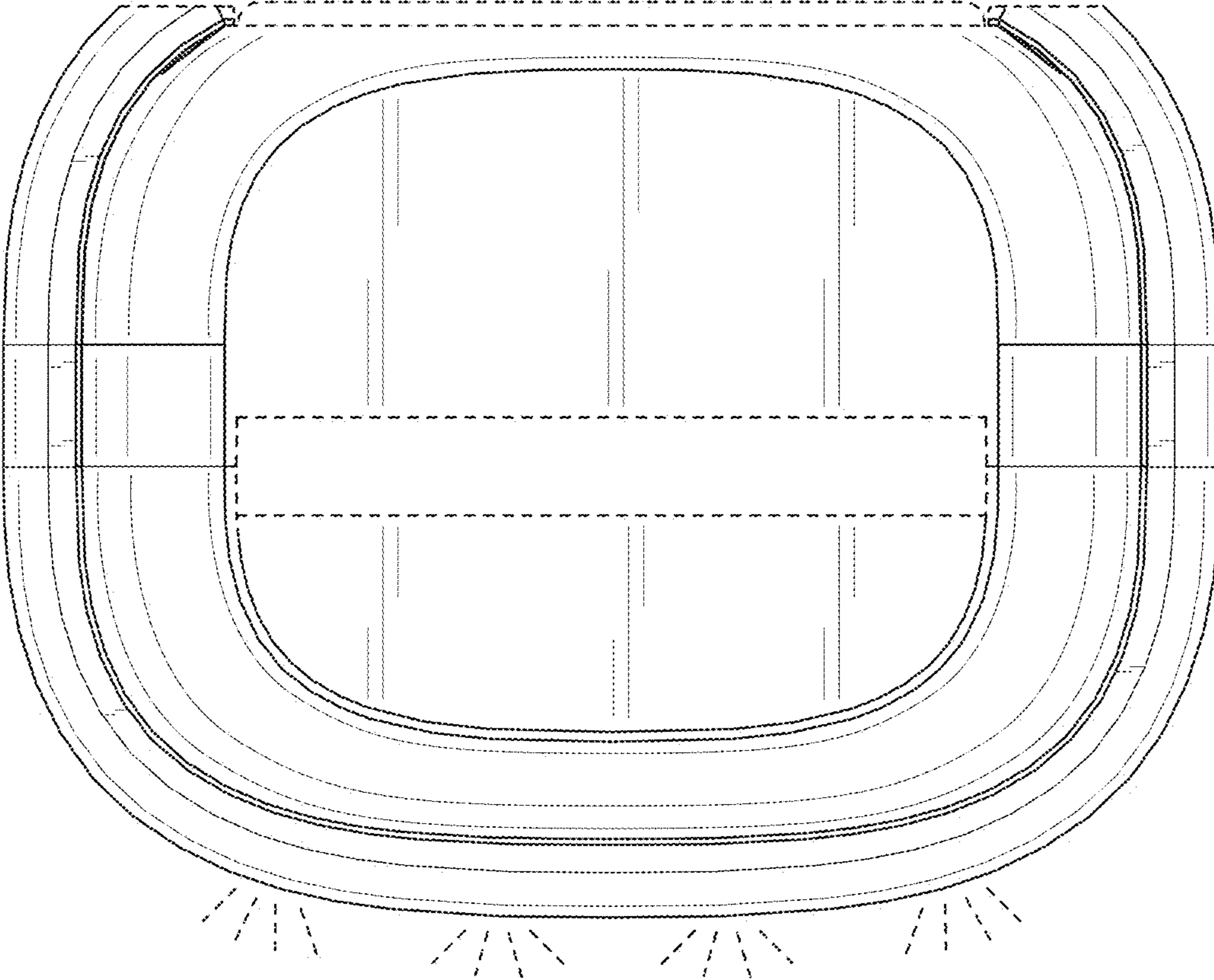


FIG. 6

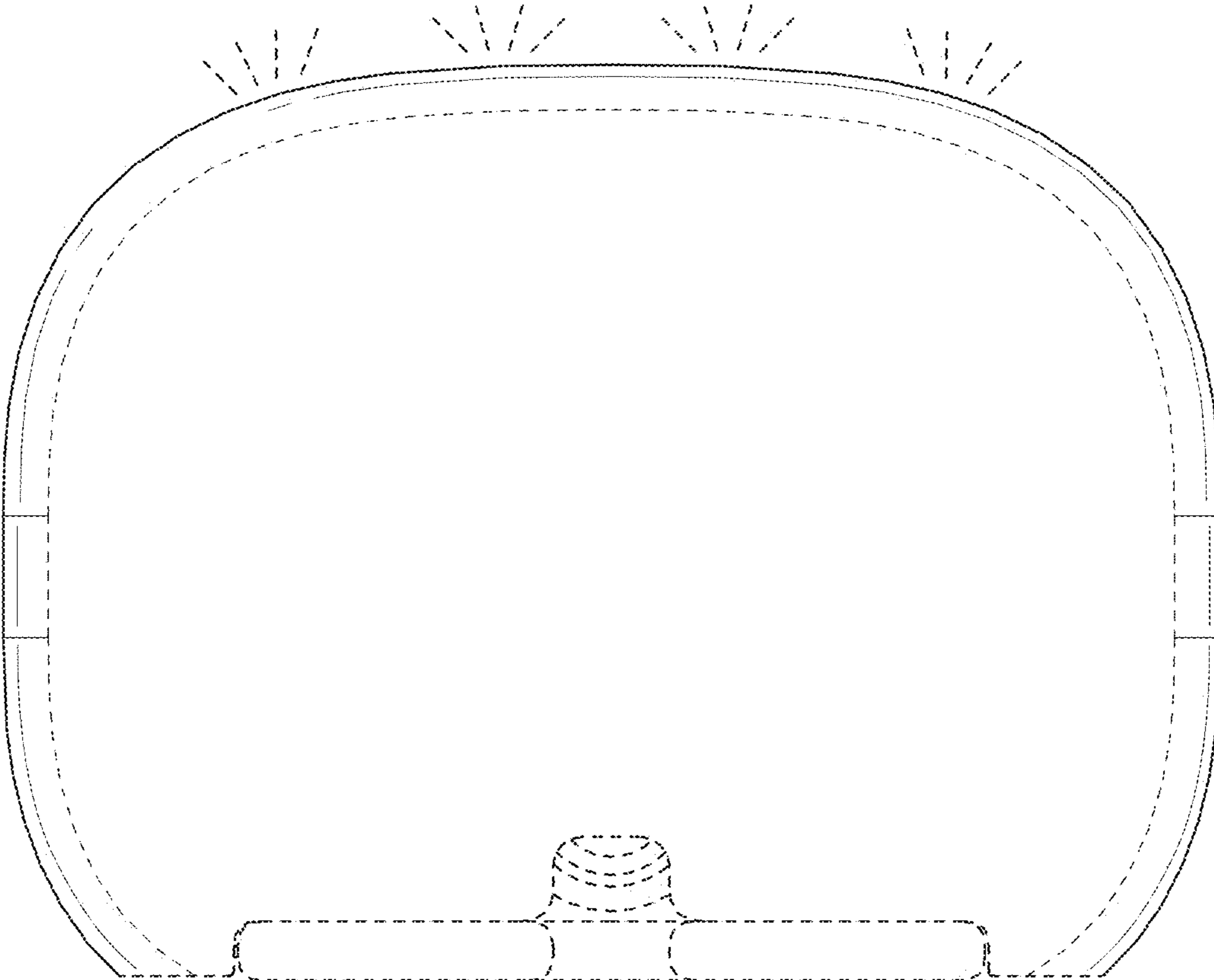


FIG. 7

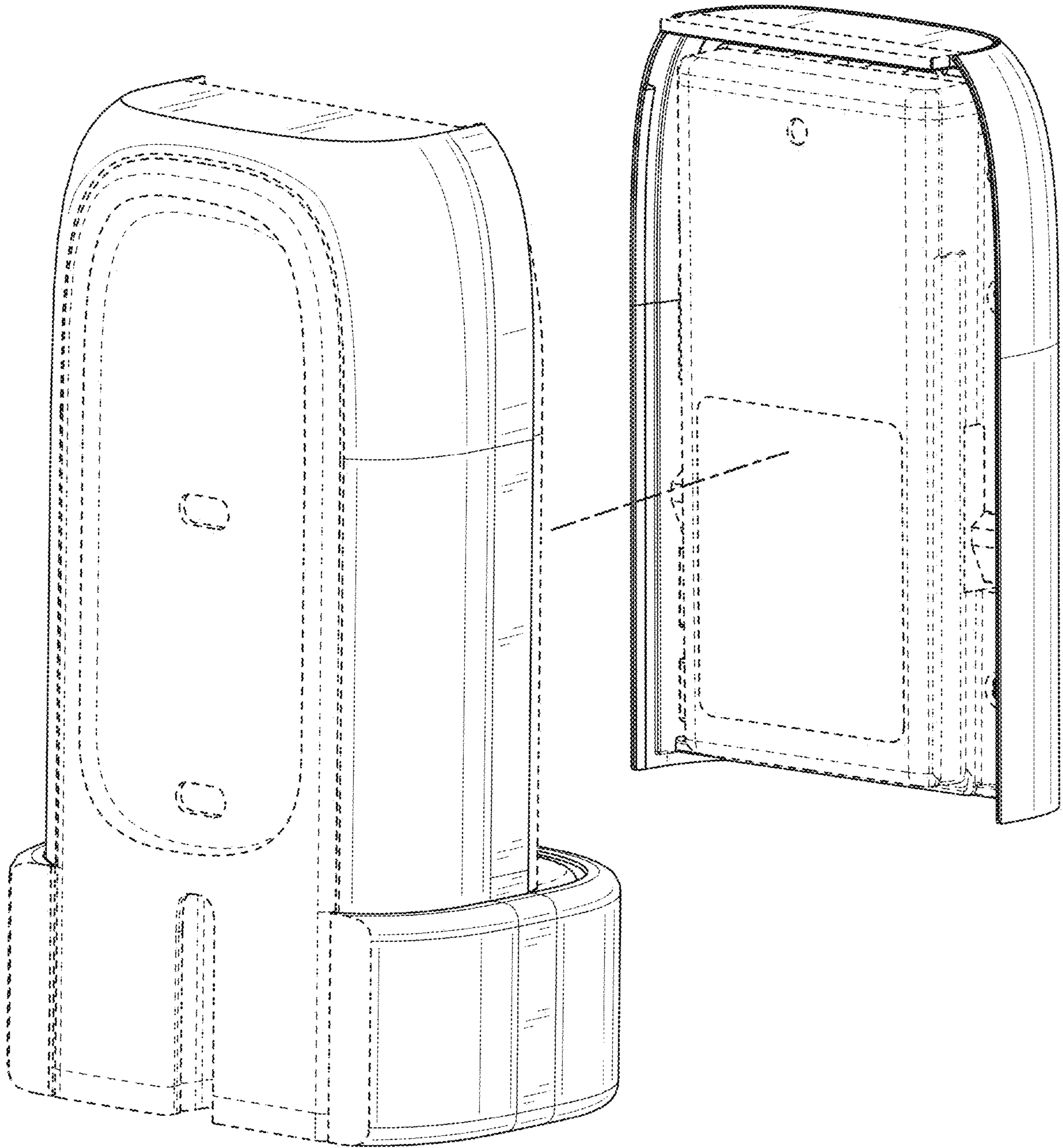


FIG. 8

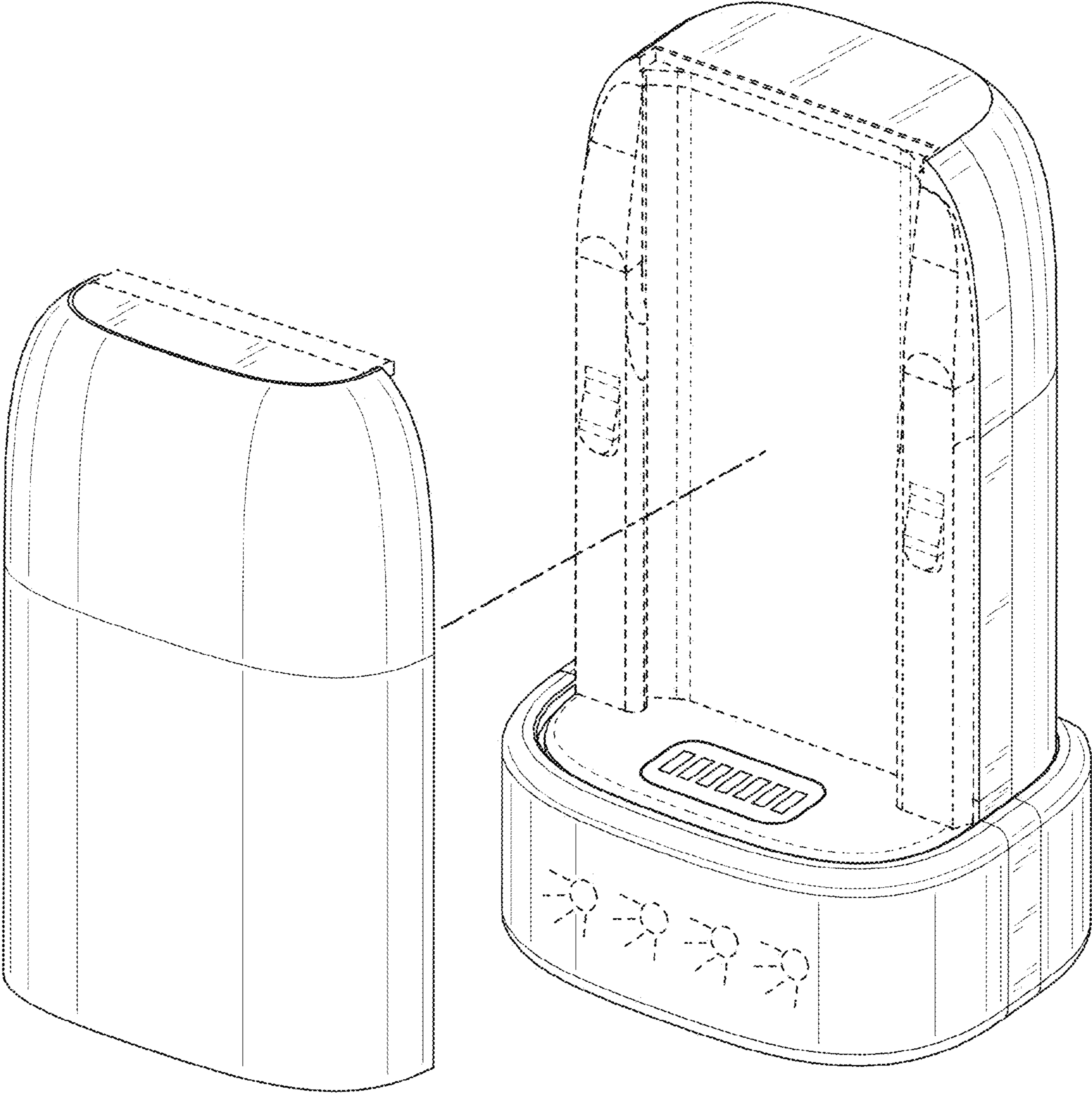


FIG. 9