



US00D935996S

(12) **United States Design Patent** (10) **Patent No.:** **US D935,996 S**
Okuda et al. (45) **Date of Patent:** **** Nov. 16, 2021**

(54) **BATTERY**
(71) Applicant: **MAKITA CORPORATION**, Anjo (JP)
(72) Inventors: **Shinsuke Okuda**, Anjo (JP); **Tatsuya Nagahama**, Anjo (JP)
(73) Assignee: **MAKITA CORPORATION**, Anjo (JP)
(**) Term: **15 Years**
(21) Appl. No.: **29/725,480**
(22) Filed: **Feb. 25, 2020**
(30) **Foreign Application Priority Data**

Aug. 26, 2019 (JP) 2019-018852

(51) **LOC (13) Cl.** **13-02**
(52) **U.S. Cl.**
USPC **D13/103**
(58) **Field of Classification Search**
USPC D13/102–106, 110, 118–119, 184
CPC Y02E 60/10; H01M 6/00; H01M 6/14;
H01M 6/05; H01M 6/10; H01M 10/52
See application file for complete search history.

(56) **References Cited**

U.S. PATENT DOCUMENTS

D523,807 S 6/2006 Murayama et al.
D597,932 S * 8/2009 Aglassinger D13/103
D622,661 S * 8/2010 Yamada D13/103
D643,809 S 8/2011 Okuda et al.
D682,192 S * 5/2013 Corbin D13/103
D780,688 S * 3/2017 Elder D13/103
D797,661 S * 9/2017 Elder D13/103
D801,919 S * 11/2017 Elder D13/103
D812,555 S * 3/2018 Schoch D13/103
D844,558 S * 4/2019 Taniguchi D13/103

D884,601 S * 5/2020 Zhou D13/103
D894,120 S * 8/2020 Timm D13/103
D898,662 S * 10/2020 Waldron D13/103
D912,615 S * 3/2021 Li D13/103
D919,560 S * 5/2021 Taniguchi D13/103
2003/0039880 A1 * 2/2003 Turner H01M 50/20
429/97
2010/0085020 A1 * 4/2010 Suzuki H01M 10/4207
320/157

* cited by examiner

Primary Examiner — Rosemary K Tarcza

(74) *Attorney, Agent, or Firm* — Global IP Counselors, LLP

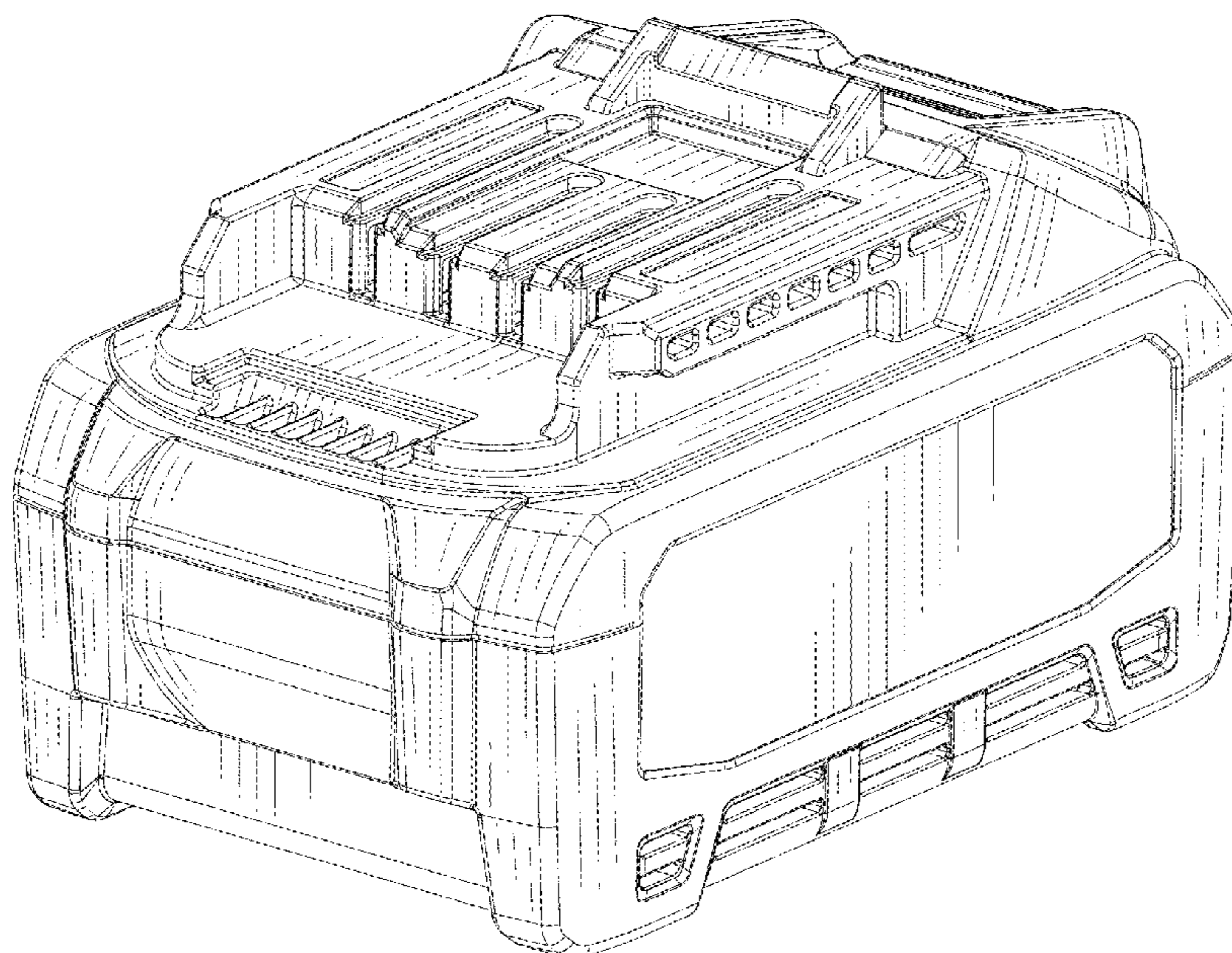
(57) **CLAIM**

The ornamental design for a battery, as shown and described.

DESCRIPTION

FIG. 1 is a front top perspective view of a battery in accordance with our new design;
FIG. 2 is a rear top perspective view of the battery in accordance with our new design;
FIG. 3 is a rear bottom perspective view of the battery in accordance with our new design;
FIG. 4 is a front elevational view of the battery in accordance with our new design;
FIG. 5 is a rear elevational view of the battery in accordance with our new design;
FIG. 6 is a top plan view of the battery in accordance with our new design;
FIG. 7 is a bottom plan view of the battery in accordance with our new design;
FIG. 8 is a right side elevational view of the battery in accordance with our new design; and,
FIG. 9 is a left side elevational view of the battery in accordance with our new design.
The broken line showing of environmental structures in the drawings forms no part of the claimed design.

1 Claim, 9 Drawing Sheets



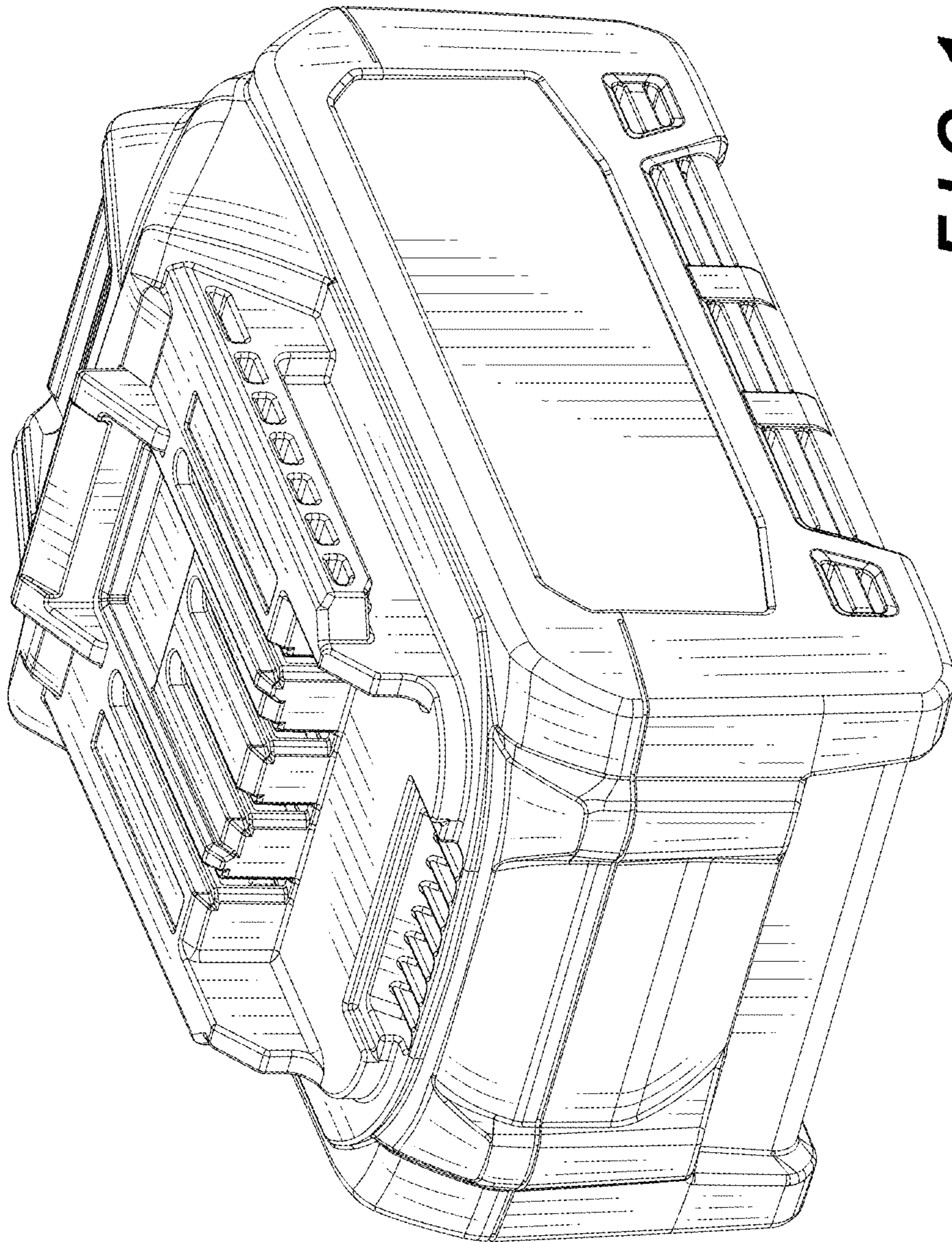


FIG. 1

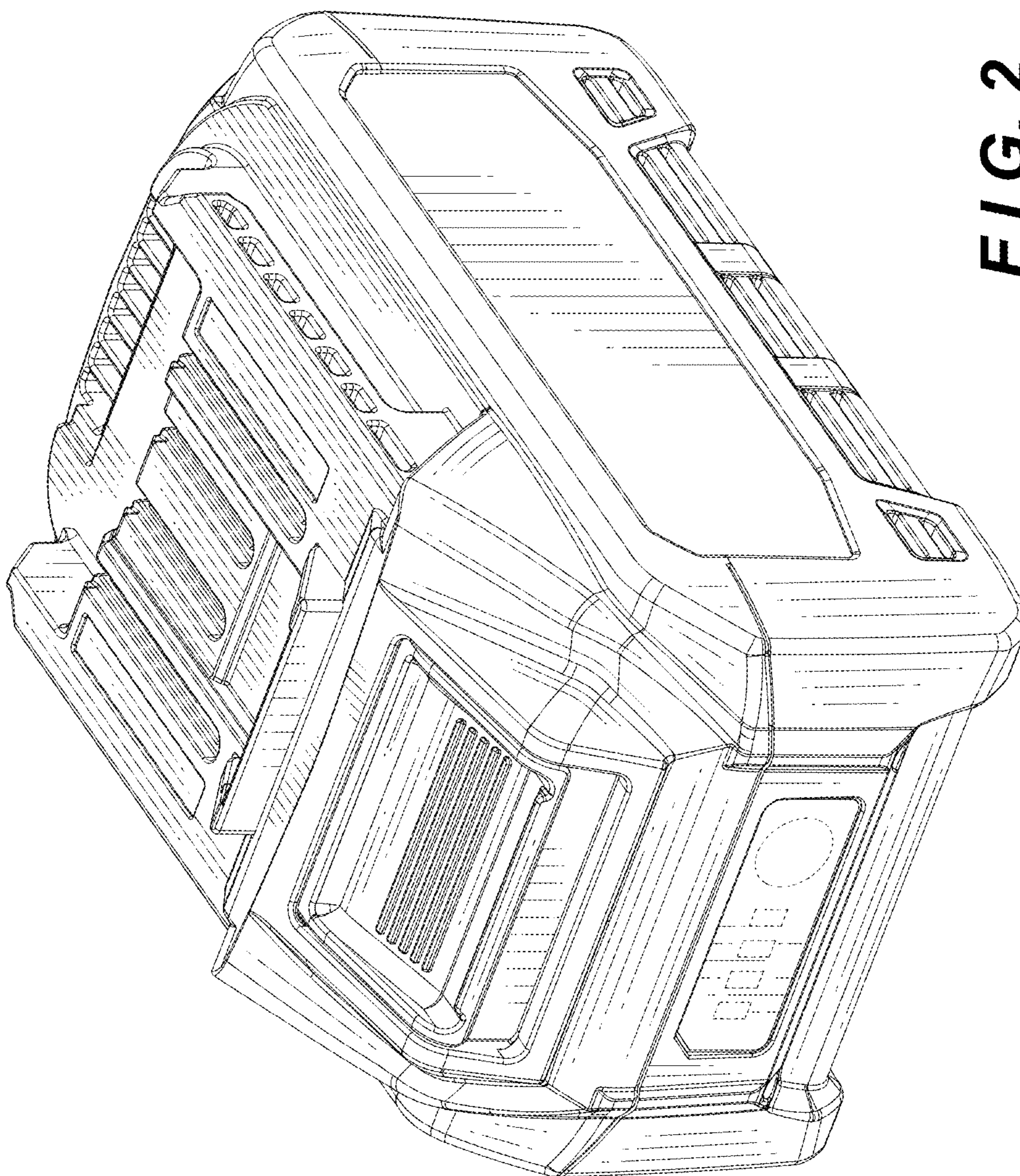


FIG. 2

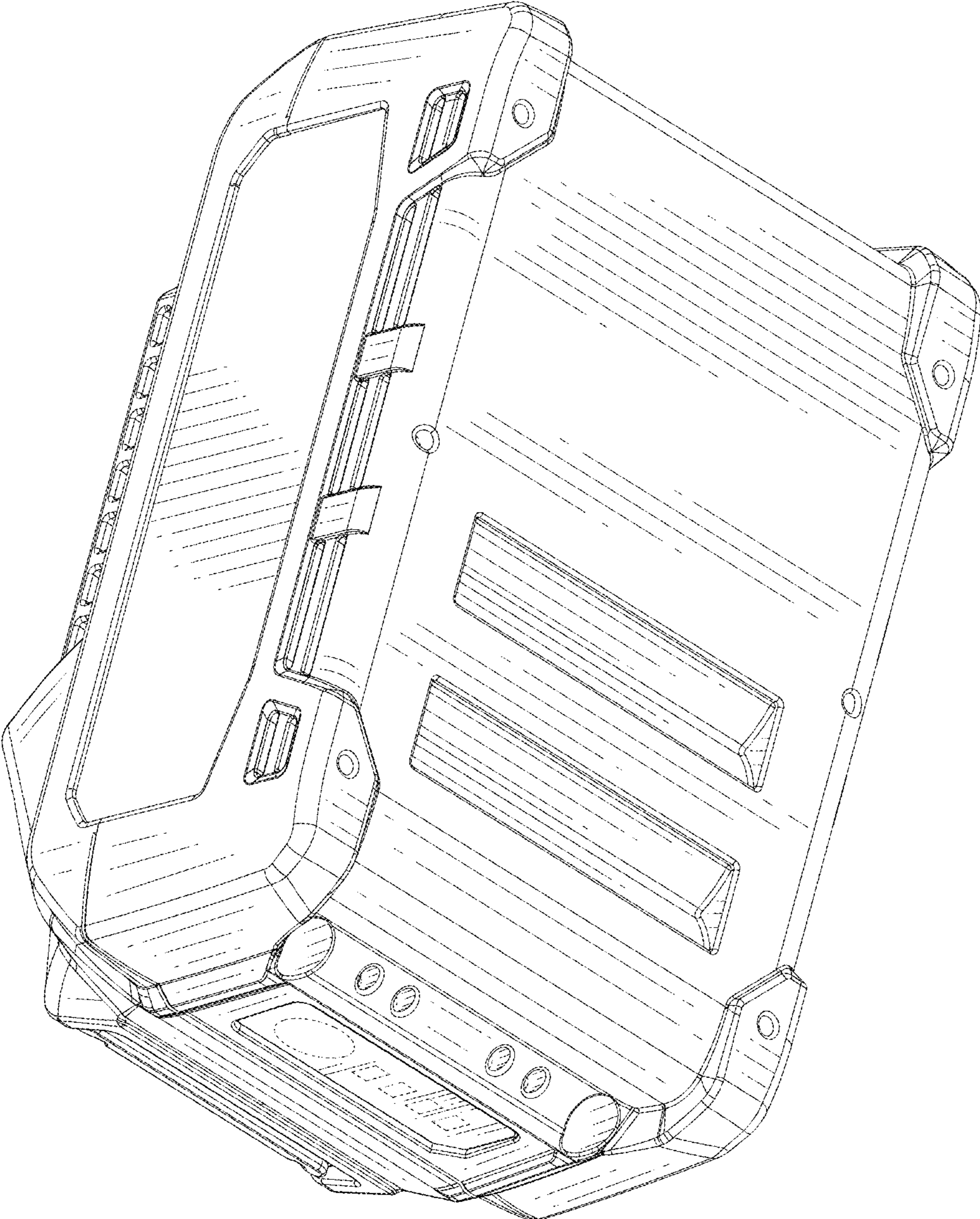


FIG. 3

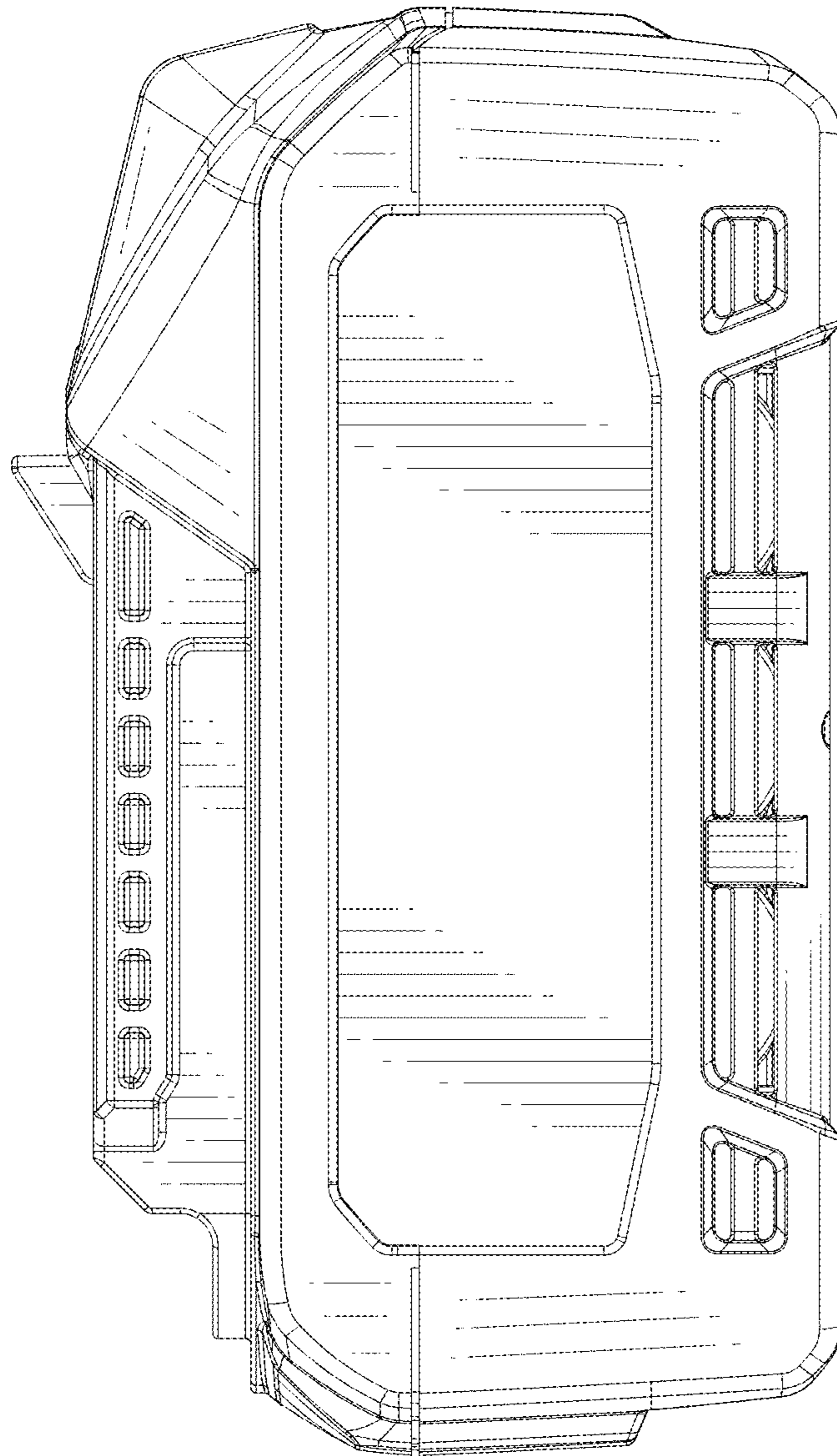


FIG. 4

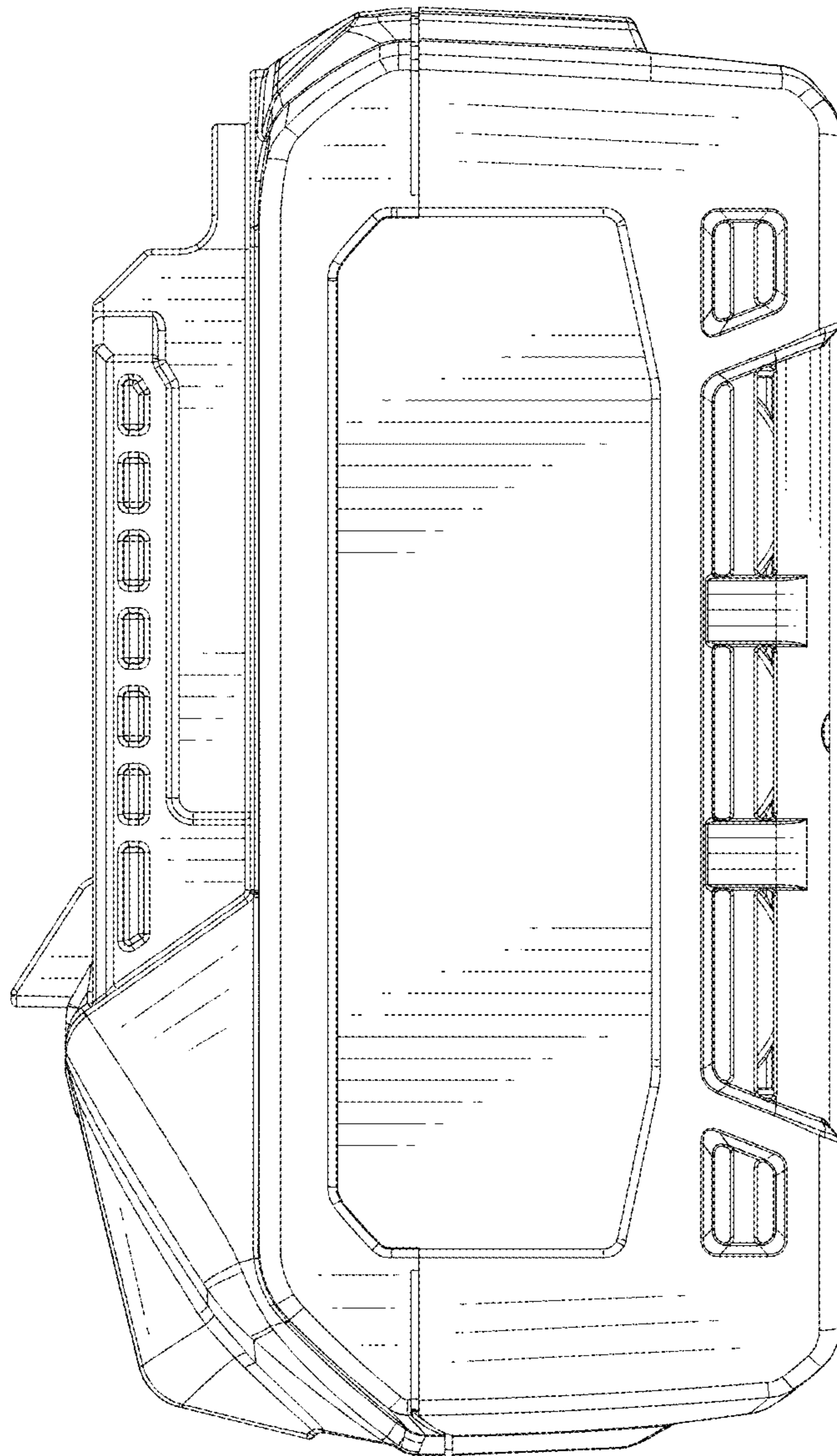


FIG. 5

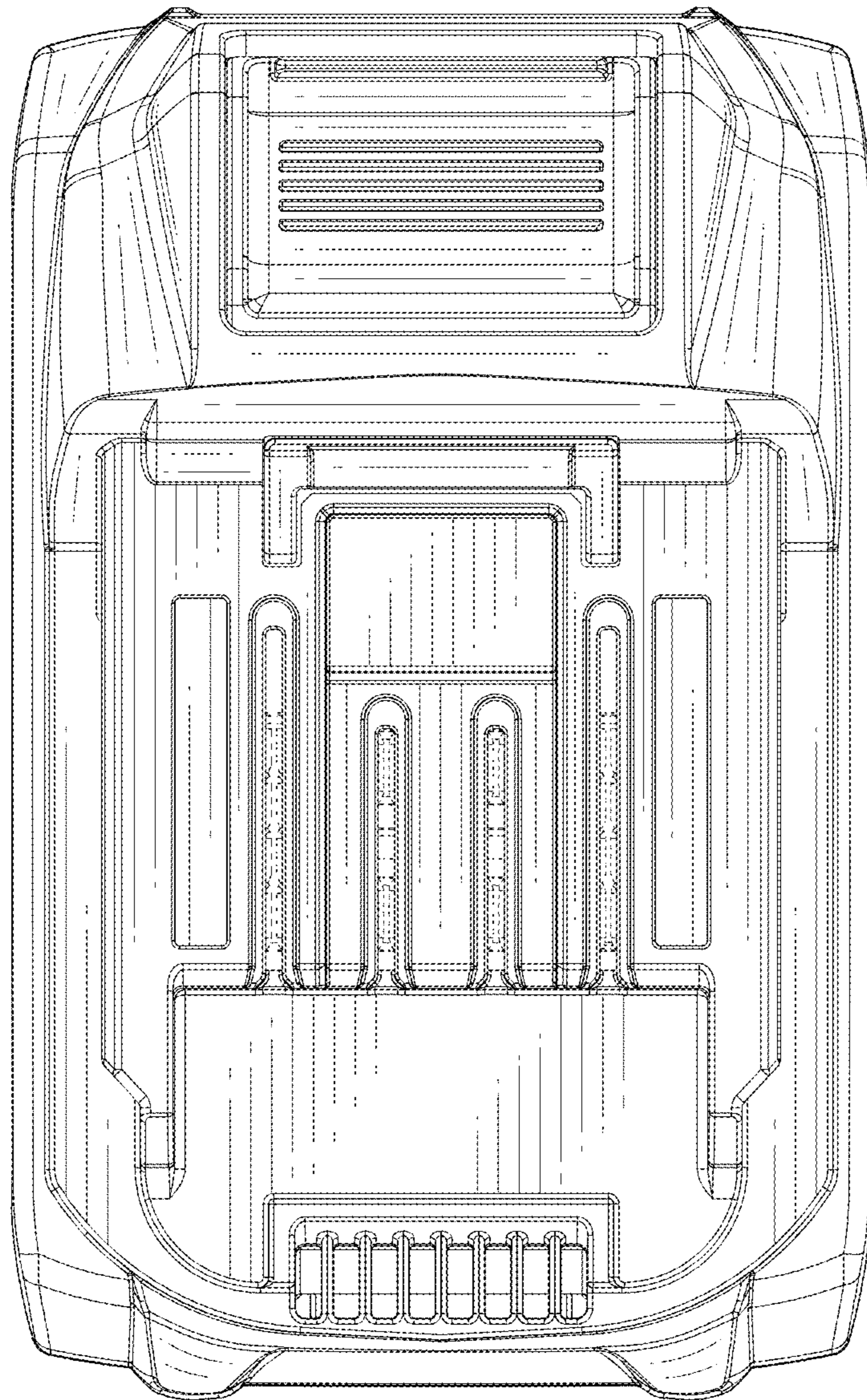


FIG. 6

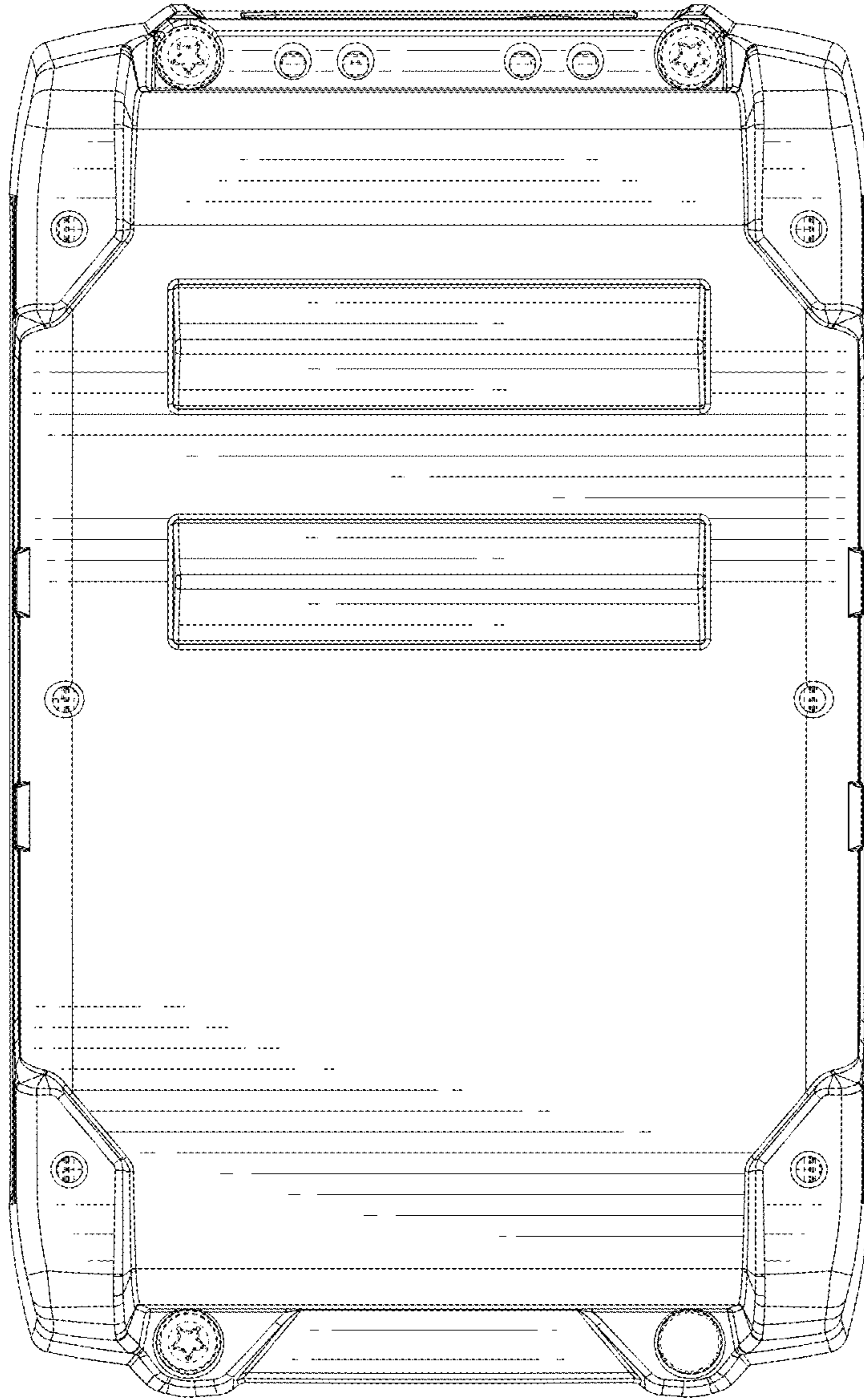


FIG. 7

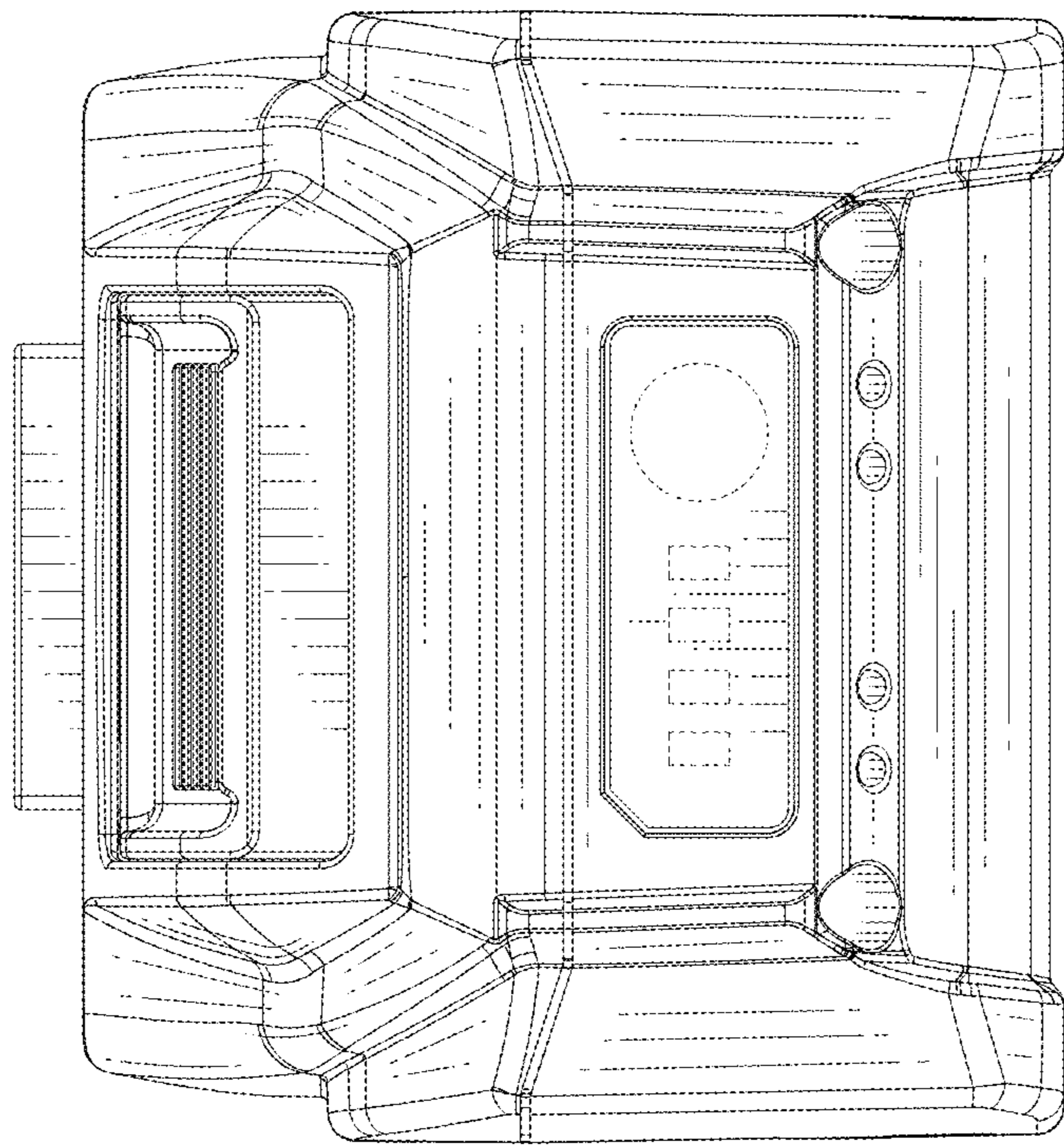


FIG. 8

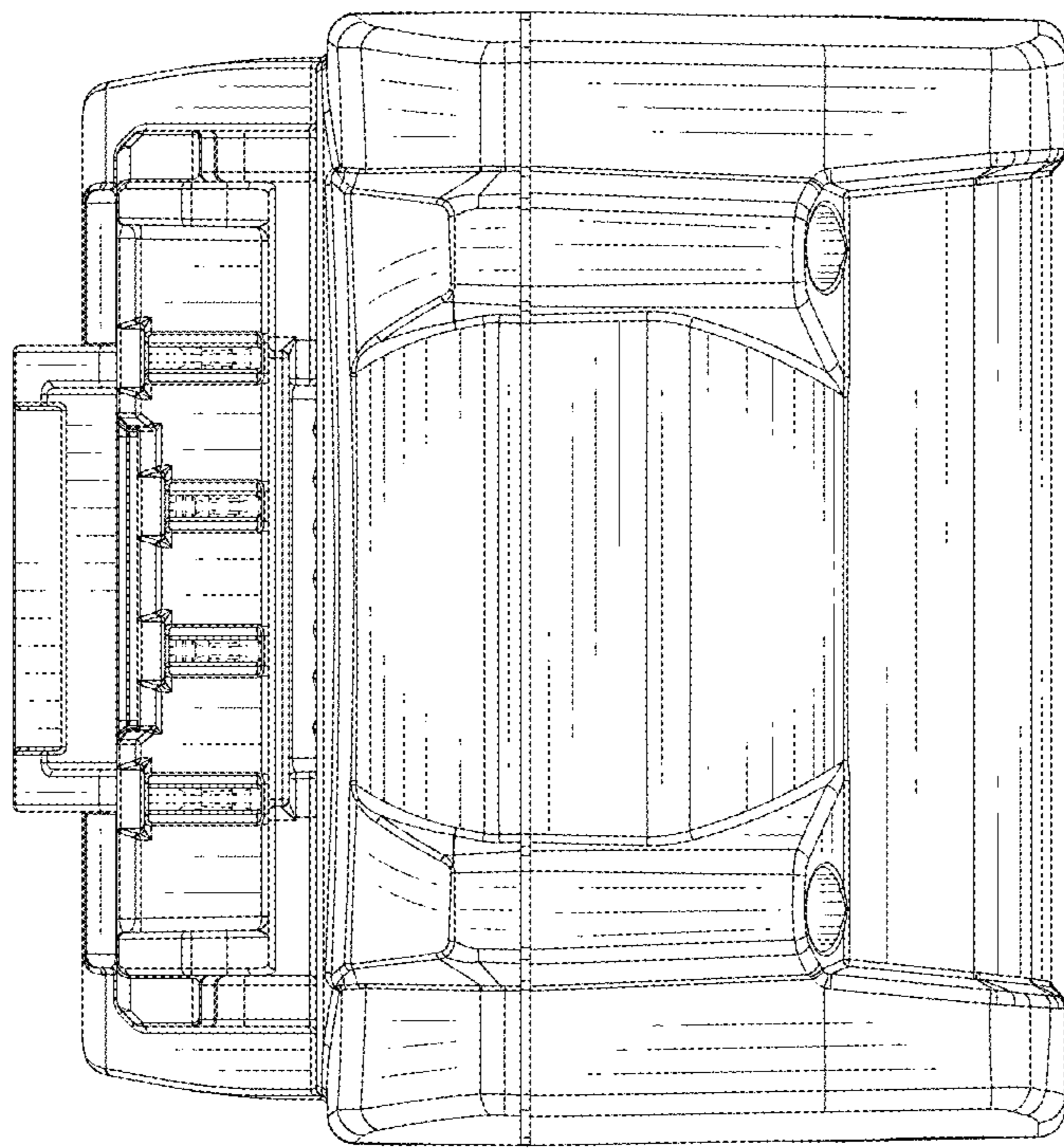


FIG. 9