



US00D935995S

(12) **United States Design Patent**
Takeshi

(10) **Patent No.:** **US D935,995 S**

(45) **Date of Patent:** **** Nov. 16, 2021**

(54) **BATTERY**

(71) Applicant: **SATO HOLDINGS KABUSHIKI KAISHA**, Tokyo (JP)

(72) Inventor: **Nozaki Takeshi**, Tokyo (JP)

(73) Assignee: **SATO HOLDINGS KABUSHIKI KAISHA**, Tokyo (JP)

(**) Term: **15 Years**

(21) Appl. No.: **29/722,340**

(22) Filed: **Jan. 29, 2020**

(30) **Foreign Application Priority Data**

Aug. 27, 2019 (JP) 2019-019001

(51) **LOC (13) Cl.** **13-02**

(52) **U.S. Cl.**
USPC **D13/103**

(58) **Field of Classification Search**
USPC D13/102, 103, 104, 105, 106, 107, 108,
D13/110, 118, 119, 184, 199; D3/273,
D3/274, 302, 201, 264

CPC Y02E 60/12; Y02E 60/122; Y02E 60/124;
Y02E 60/50; H01M 10/4257; H01M
10/0436; H01M 10/48; H01M 2/02;
H01M 2/022; H01M 2/0202; H01M
2/0207; H01M 2/0212; H01M 2/1061;
H01M 2/1022; H01M 2/1055; H01M
2/1066; H01M 2/105; H01M 2/204;
H01M 2/04; H01M 2/0404; H01M
2/0406; H01M 2/0465; H01M 2/06

See application file for complete search history.

(56) **References Cited**

U.S. PATENT DOCUMENTS

D423,772 S * 5/2000 Cooper D3/201
D495,994 S * 9/2004 Arakelian D13/103
D514,808 S * 2/2006 Morine D3/273

D579,201 S * 10/2008 Galli D3/273
D727,254 S * 4/2015 Kinoshita D13/103
D805,667 S * 12/2017 Green D26/39
D808,653 S * 1/2018 Rayeski D3/273
D822,594 S * 7/2018 Corvese D13/103
D838,238 S * 1/2019 Wu D13/102
D867,983 S * 11/2019 Li D13/102

FOREIGN PATENT DOCUMENTS

CN 304454874 * 1/2018
CN 305070757 * 3/2019
CN 305485051 * 12/2019
GB 9007299367-0001 * 11/2019
GB 9007547666-0003 * 1/2020

* cited by examiner

Primary Examiner — Rosemary K Tarcza

Assistant Examiner — Seth David Kumpf

(74) *Attorney, Agent, or Firm* — Andrew F Young, Esq;
Nolte Lackenbach Siegel

(57) **CLAIM**

The ornamental design for a battery, as shown and described.

DESCRIPTION

FIG. 1 is front right top perspective view of a battery showing our new design.

FIG. 2 is a front elevation view thereof.

FIG. 3 is a rear elevation view thereof.

FIG. 4 is a top plan view thereof.

FIG. 5 is a bottom plan view thereof.

FIG. 6 is a right side elevation view thereof.

FIG. 7 is a left side elevation view thereof; and,

FIG. 8 is a cross-sectional view, taken along line 8-8 in FIGS. 2 and 6.

The dash-dash lines illustrate portions of the battery that form no part of the claimed design. The dash-dot lines represent the boundaries of the claimed design, and form no part thereof. No claim is made to portions which are not shown.

1 Claim, 8 Drawing Sheets

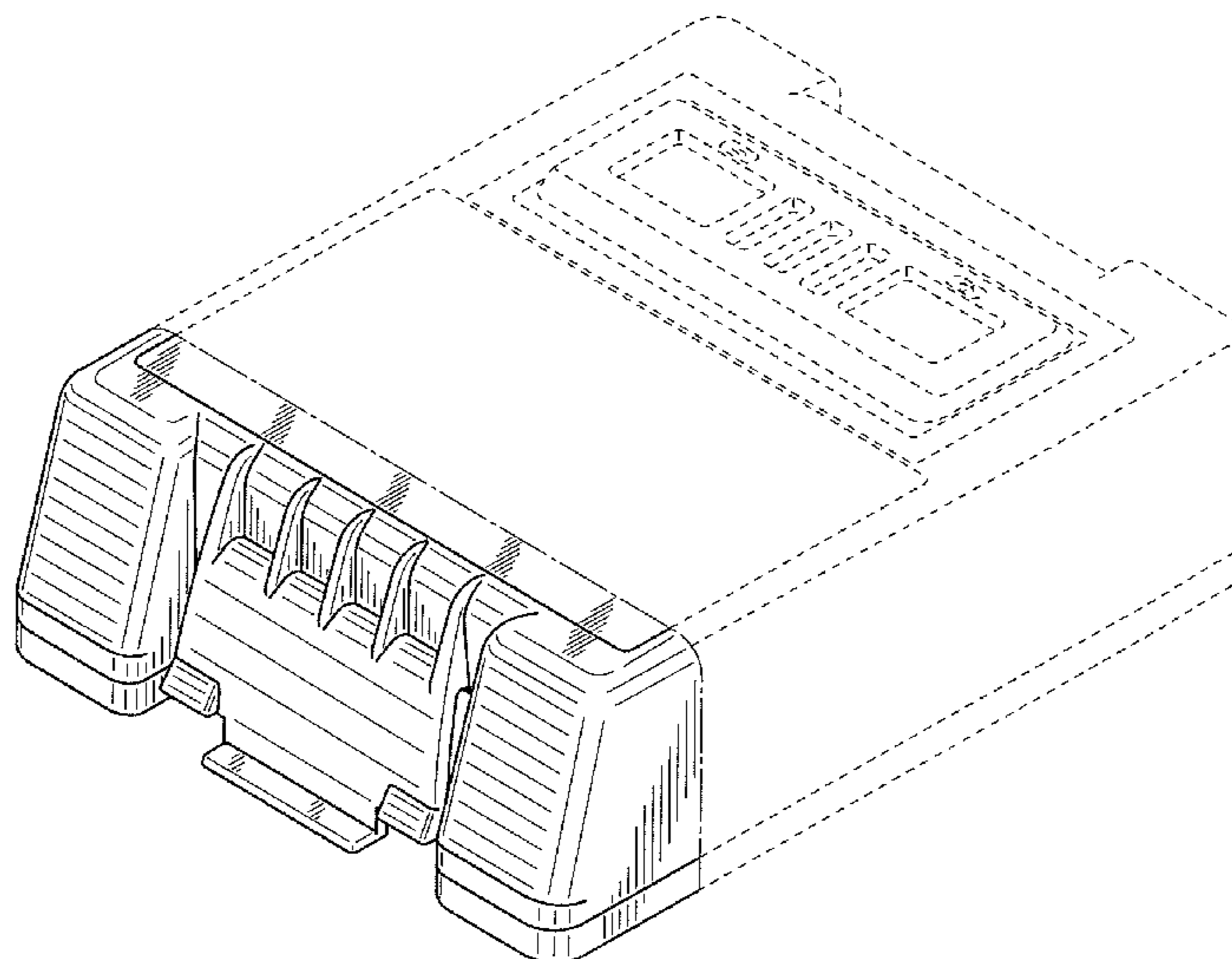


FIG. 1

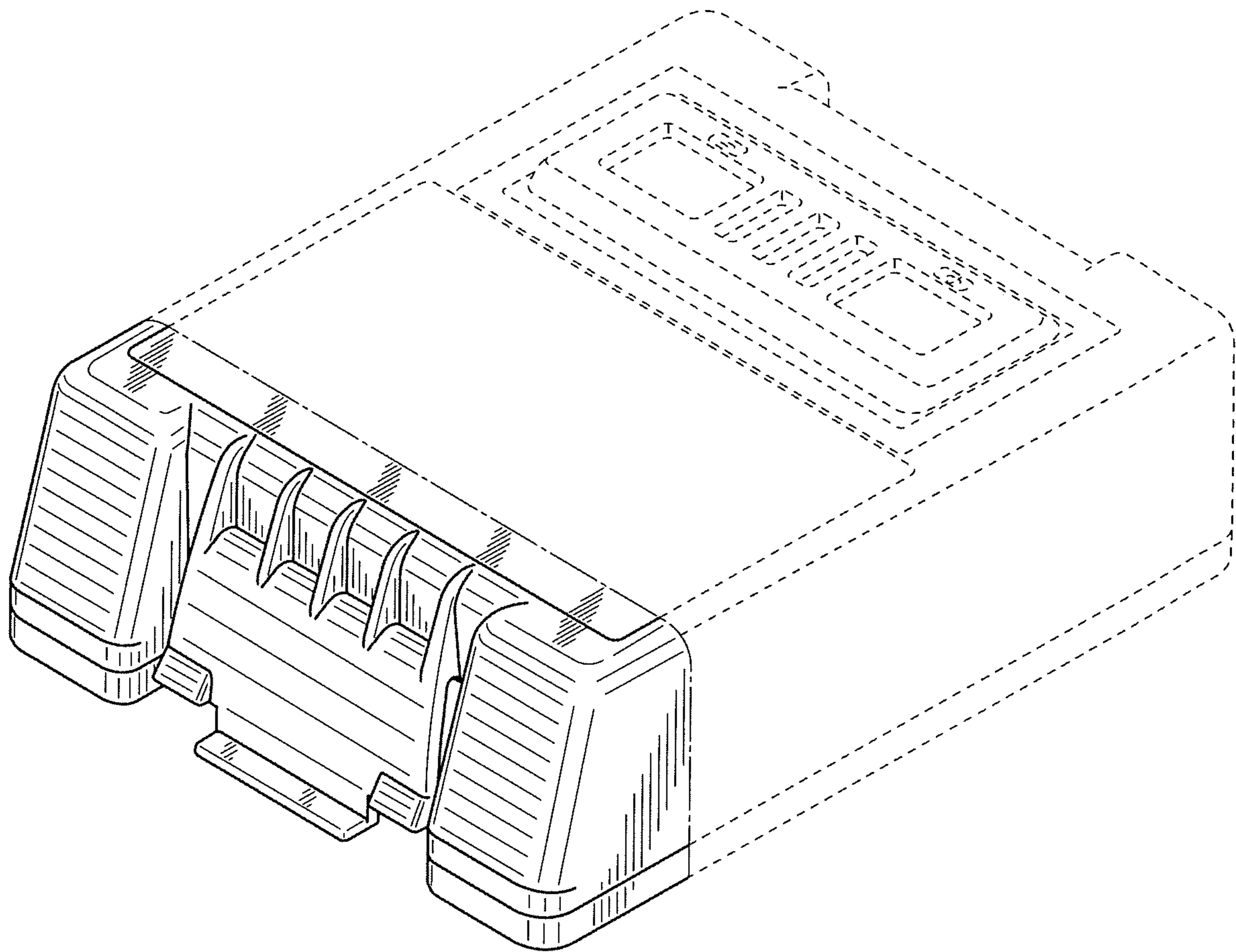


FIG. 2

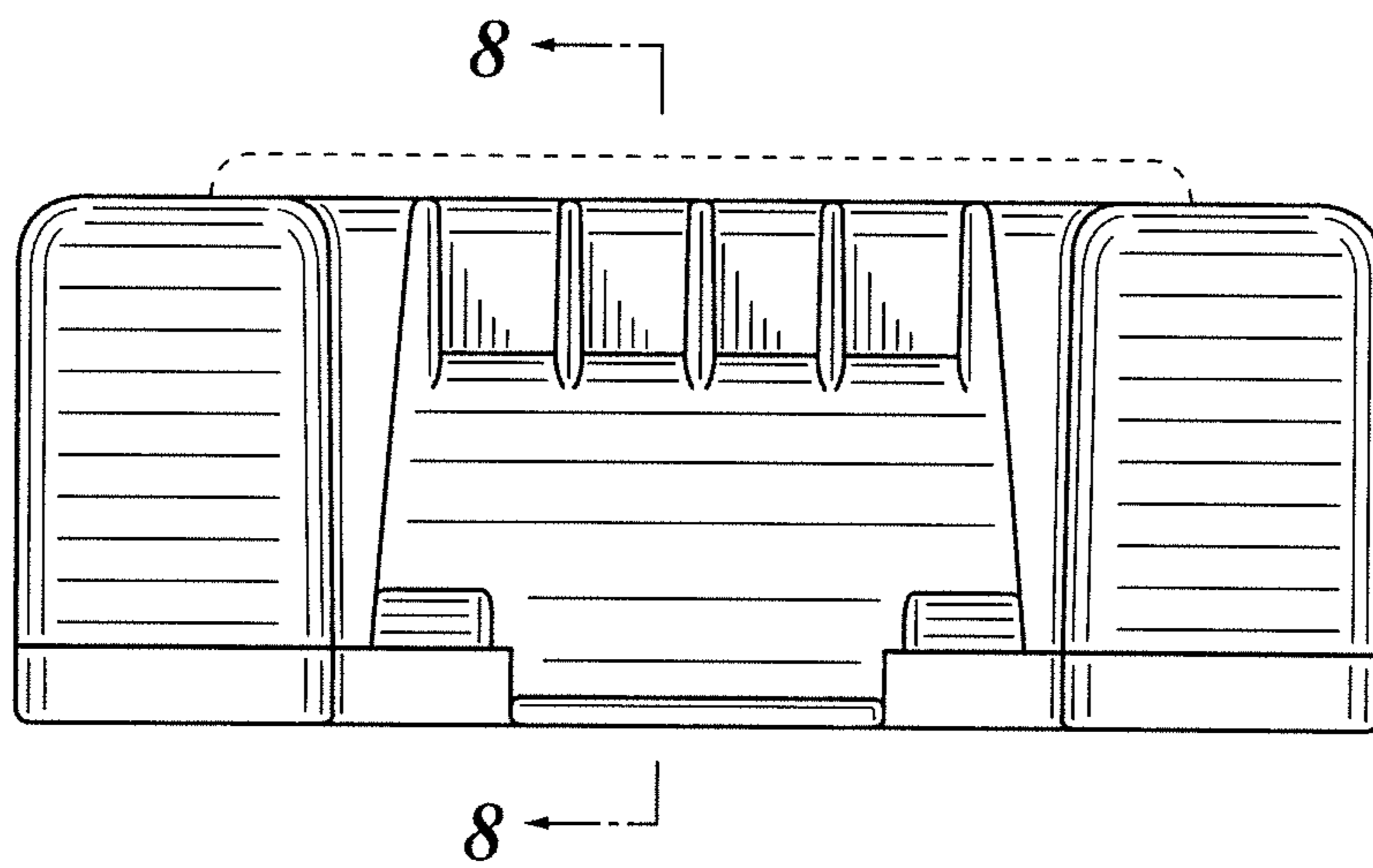


FIG. 3

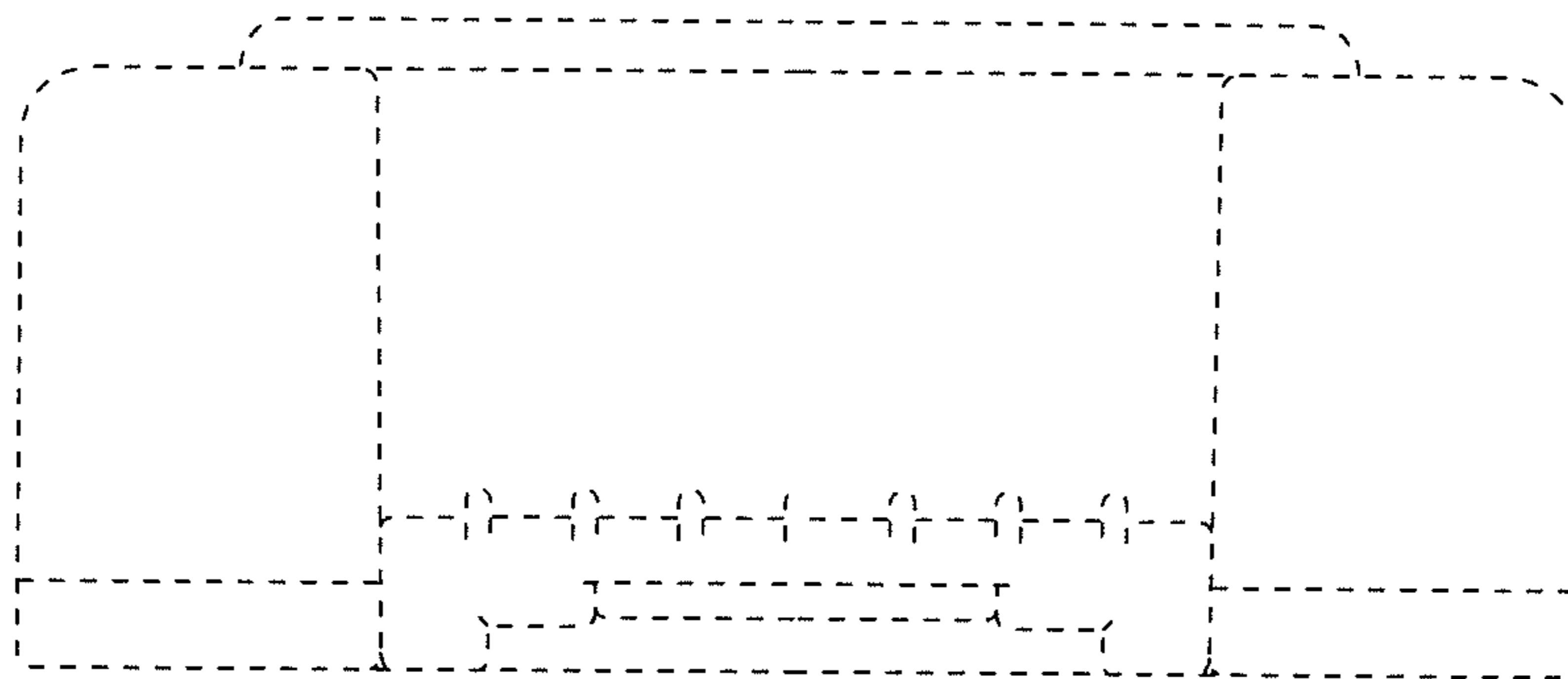


FIG. 4

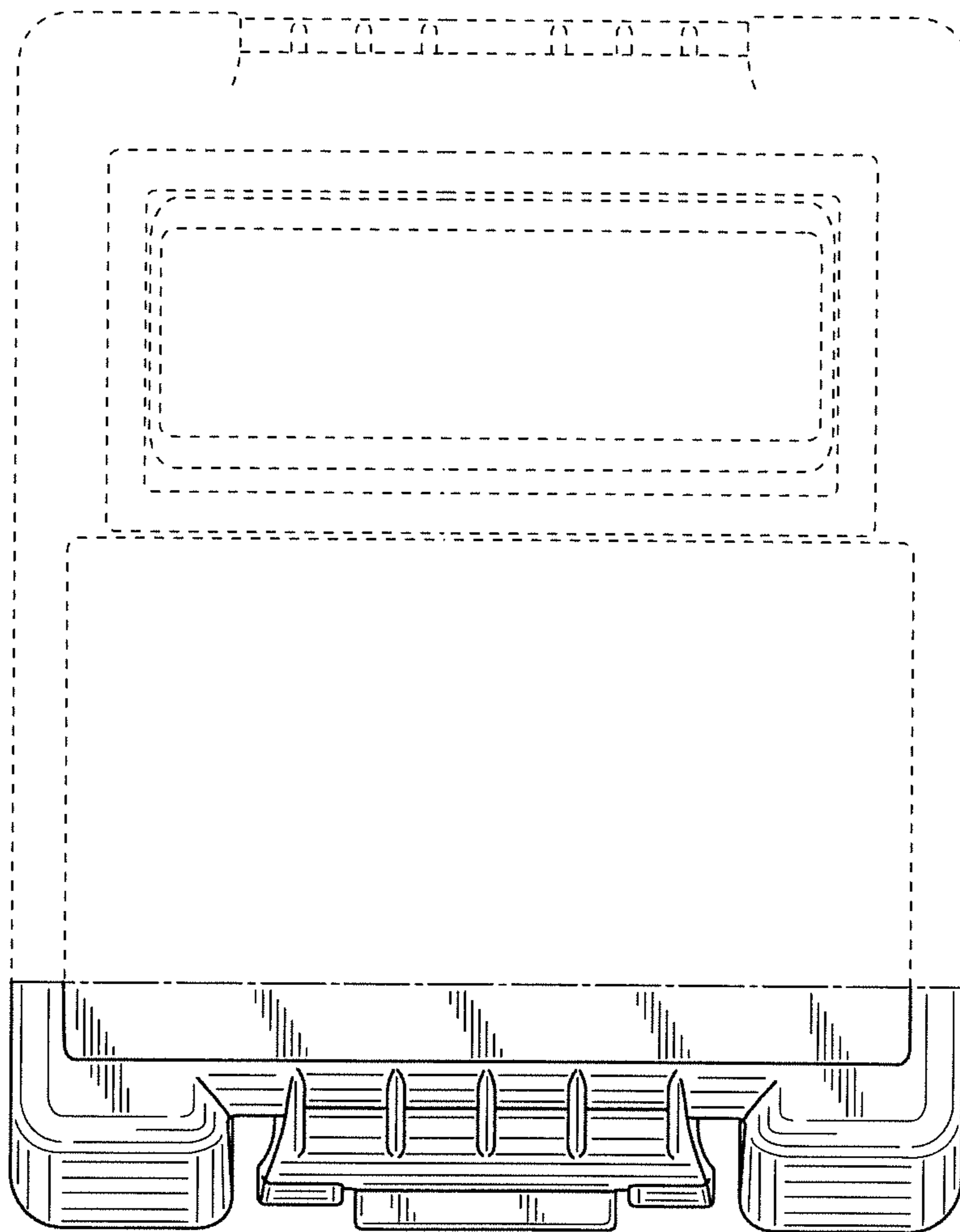


FIG. 5

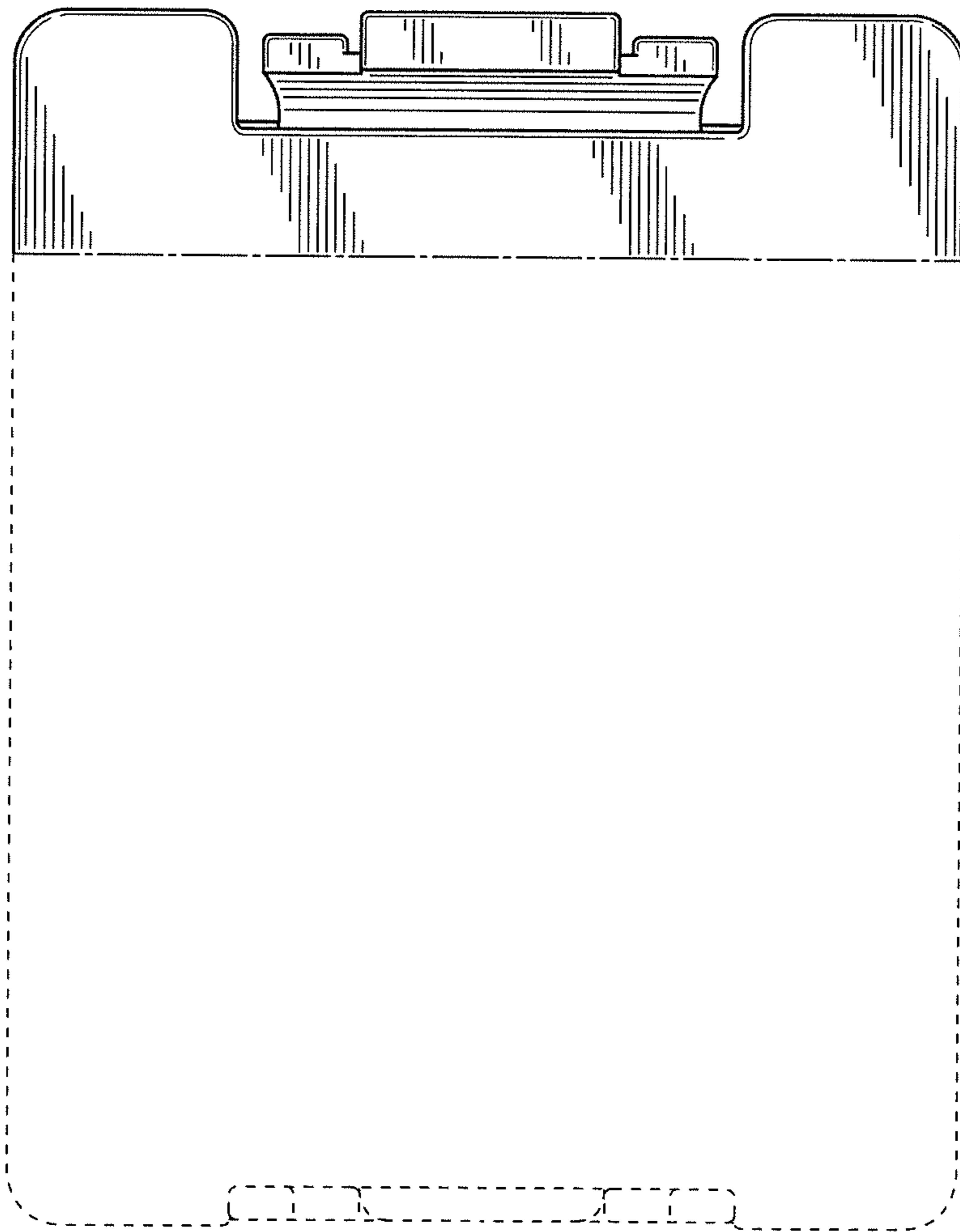


FIG. 6

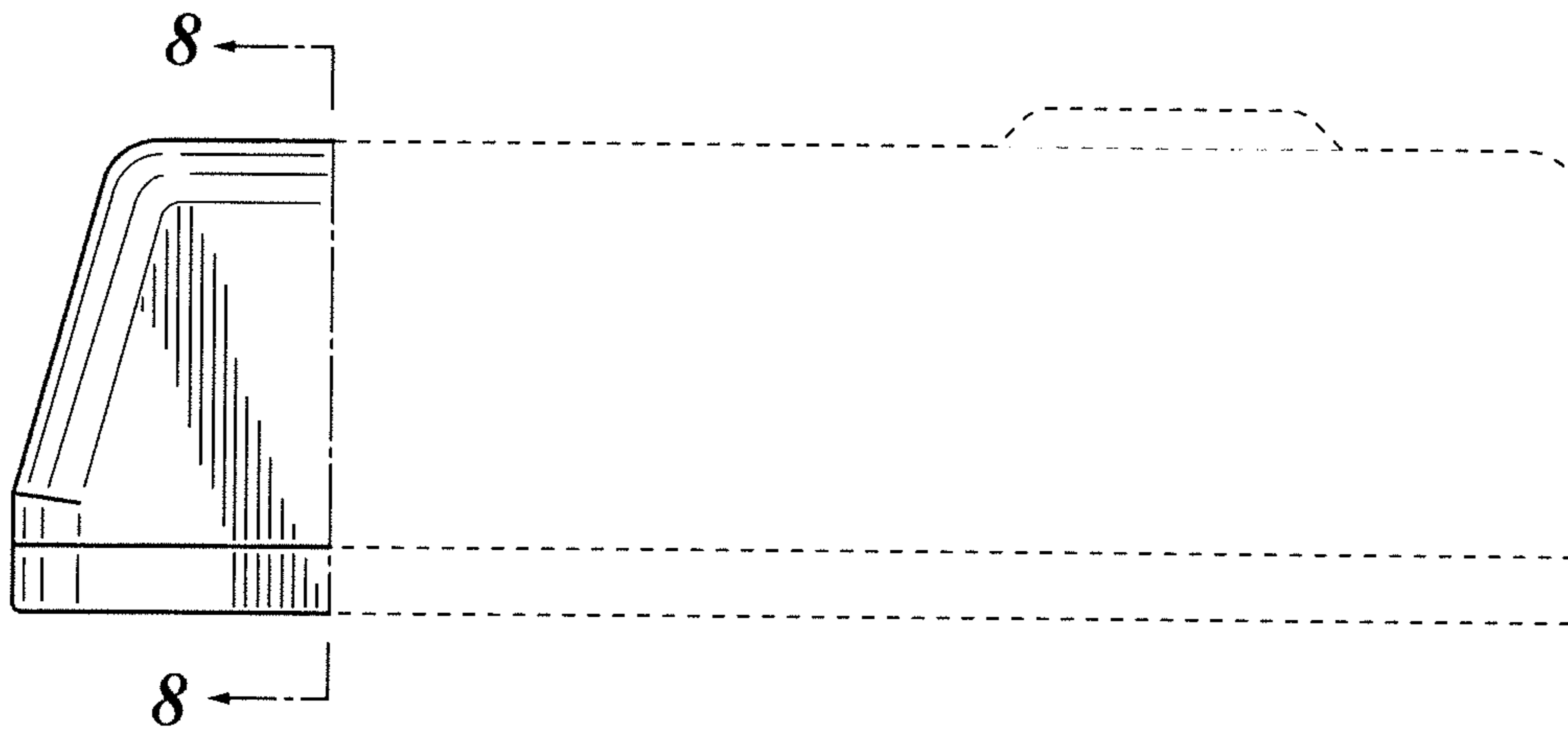


FIG. 7

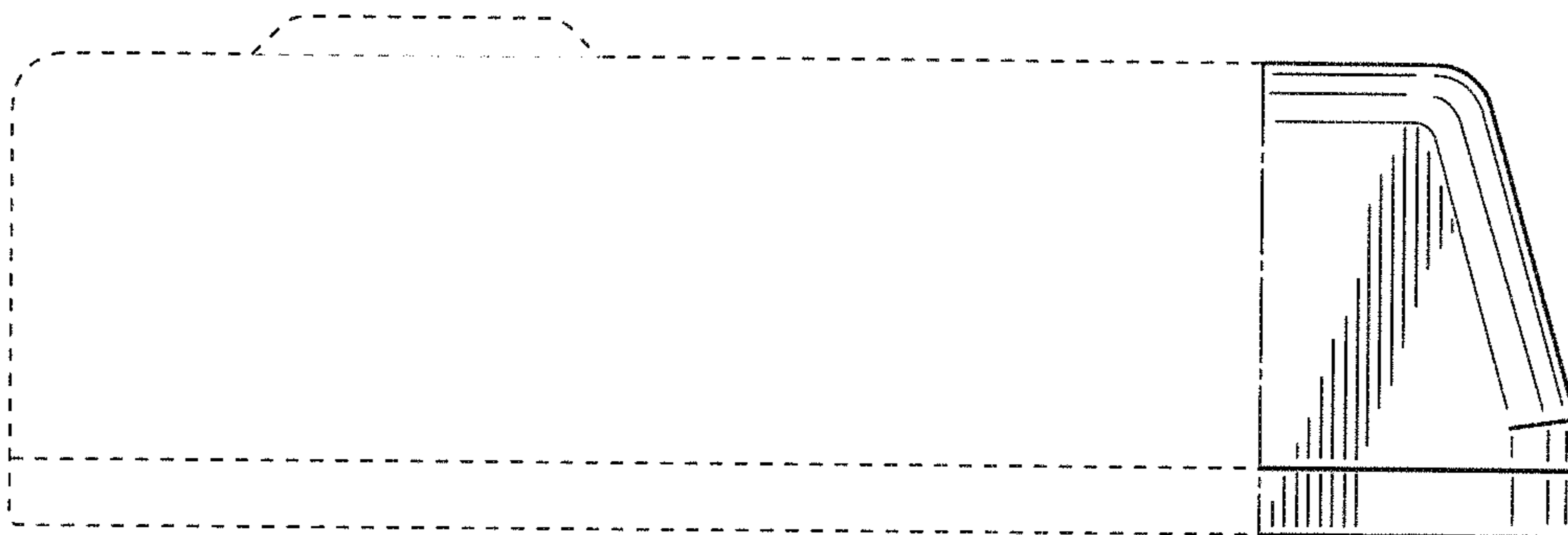


FIG. 8

