



US00D935994S

(12) **United States Design Patent**
Watanabe

(10) **Patent No.:** **US D935,994 S**
(45) **Date of Patent:** **** Nov. 16, 2021**

(54) **BATTERY FOR PORTABLE COMPUTER**

FOREIGN PATENT DOCUMENTS

(71) Applicant: **Panasonic Intellectual Property Management Co., Ltd., Osaka (JP)**

CN 305401417 * 10/2019
CN 305491783 * 12/2019

(Continued)

(72) Inventor: **Seiichi Watanabe, Tokyo (JP)**

OTHER PUBLICATIONS

(73) Assignee: **Panasonic Intellectual Property Management Co., Ltd., Osaka (JP)**

“MAXOAK Laptop Power Bank 185Wh/50000mAh(Max.130W) Portable Laptop Charger External Battery Pack for Laptop Smartphones Notebook Tablet”, first available Jun. 2, 2015. Amazon.com [https://www.amazon.com/MAXOAK-50000mAh-Portable-Charger-External/dp/B00YP823NA/ref=as_li_ss_tl?crd=1SQXQNSM8D955&keywords=apt%E2%80%A6] (Year: 2015).*

(Continued)

(**) Term: **15 Years**

(21) Appl. No.: **29/720,890**

(22) Filed: **Jan. 16, 2020**

(30) **Foreign Application Priority Data**

Jul. 24, 2019 (JP) 2019-016520

(51) **LOC (13) Cl.** **13-02**

(52) **U.S. Cl.**
USPC **D13/103**

(58) **Field of Classification Search**
USPC D13/102, 103, 104, 105, 106, 107, 108, D13/110, 118, 119, 184, 199; D3/273, D3/274, 302, 201, 264
CPC Y02E 60/12; Y02E 60/122; Y02E 60/124; Y02E 60/50; H01M 10/4257; H01M 10/0436; H01M 10/48; H01M 2/02; H01M 2/022; H01M 2/0202; H01M 2/0207; H01M 2/0212; H01M 2/1061; H01M 2/1022; H01M 2/1055; H01M 2/1066; H01M 2/105; H01M 2/204; H01M 2/04; H01M 2/0404; H01M 2/0406; H01M 2/0465; H01M 2/06

See application file for complete search history.

Primary Examiner — Rosemary K Tarcza

Assistant Examiner — Seth David Kumpf

(74) *Attorney, Agent, or Firm* — Panasonic IP Management; Kerry S. Culpepper

(57) **CLAIM**

I claim the ornamental design for a battery for portable computer, as shown and described.

DESCRIPTION

FIG. 1 is a top-front-left perspective view of a battery for portable computer of the present invention; FIG. 2 is a top-rear-right perspective view thereof; FIG. 3 is a front-right-bottom perspective view thereof; FIG. 4 is a rear-left-bottom perspective view thereof; FIG. 5 is a front view thereof; FIG. 6 is a rear view thereof; FIG. 7 is a first side view thereof; FIG. 8 is a second side view thereof; FIG. 9 is a top view thereof; and, FIG. 10 is a bottom view thereof.

The broken lines in the drawings represent portions of the battery for portable computer that form no part of the claimed design.

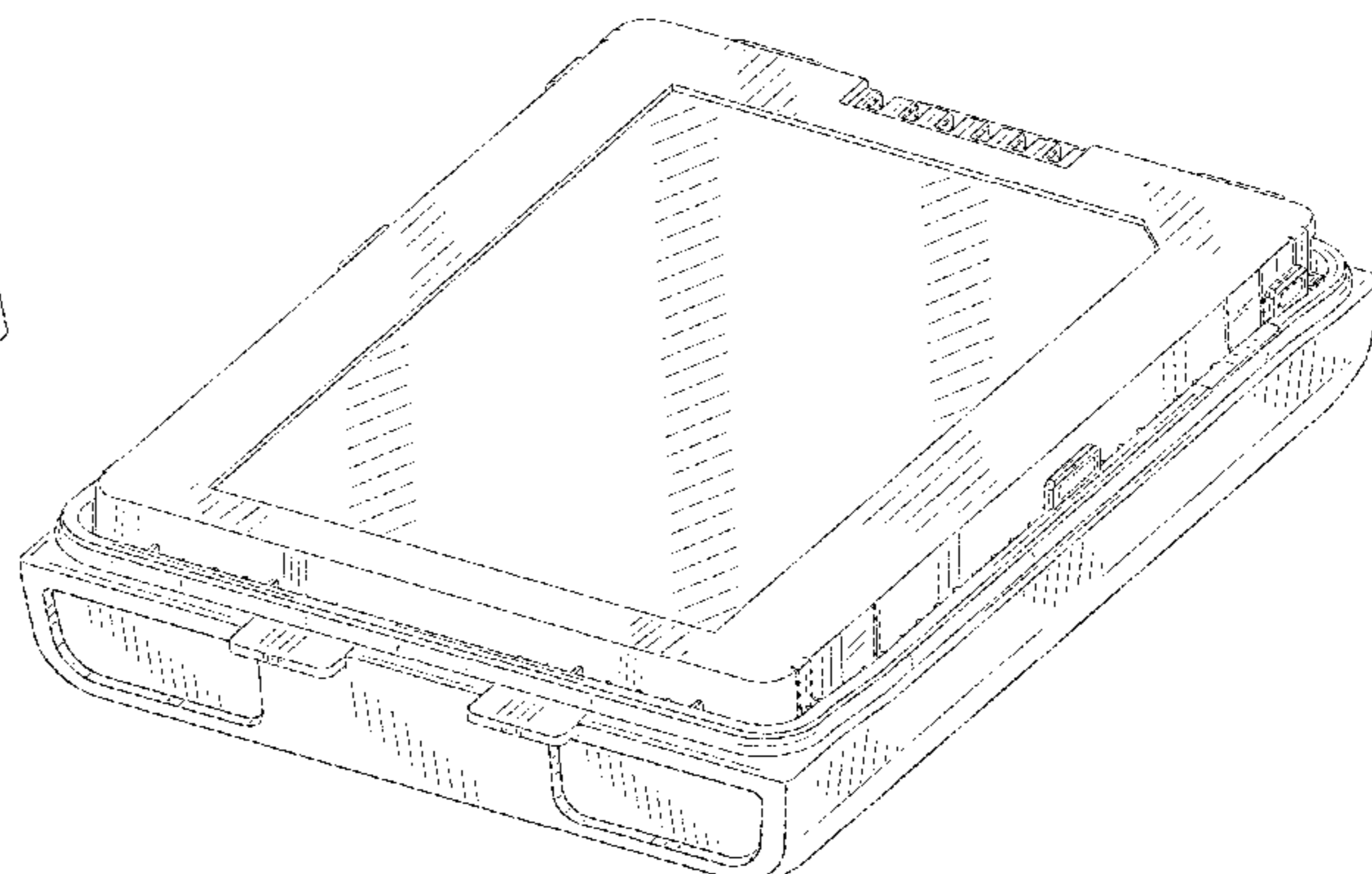
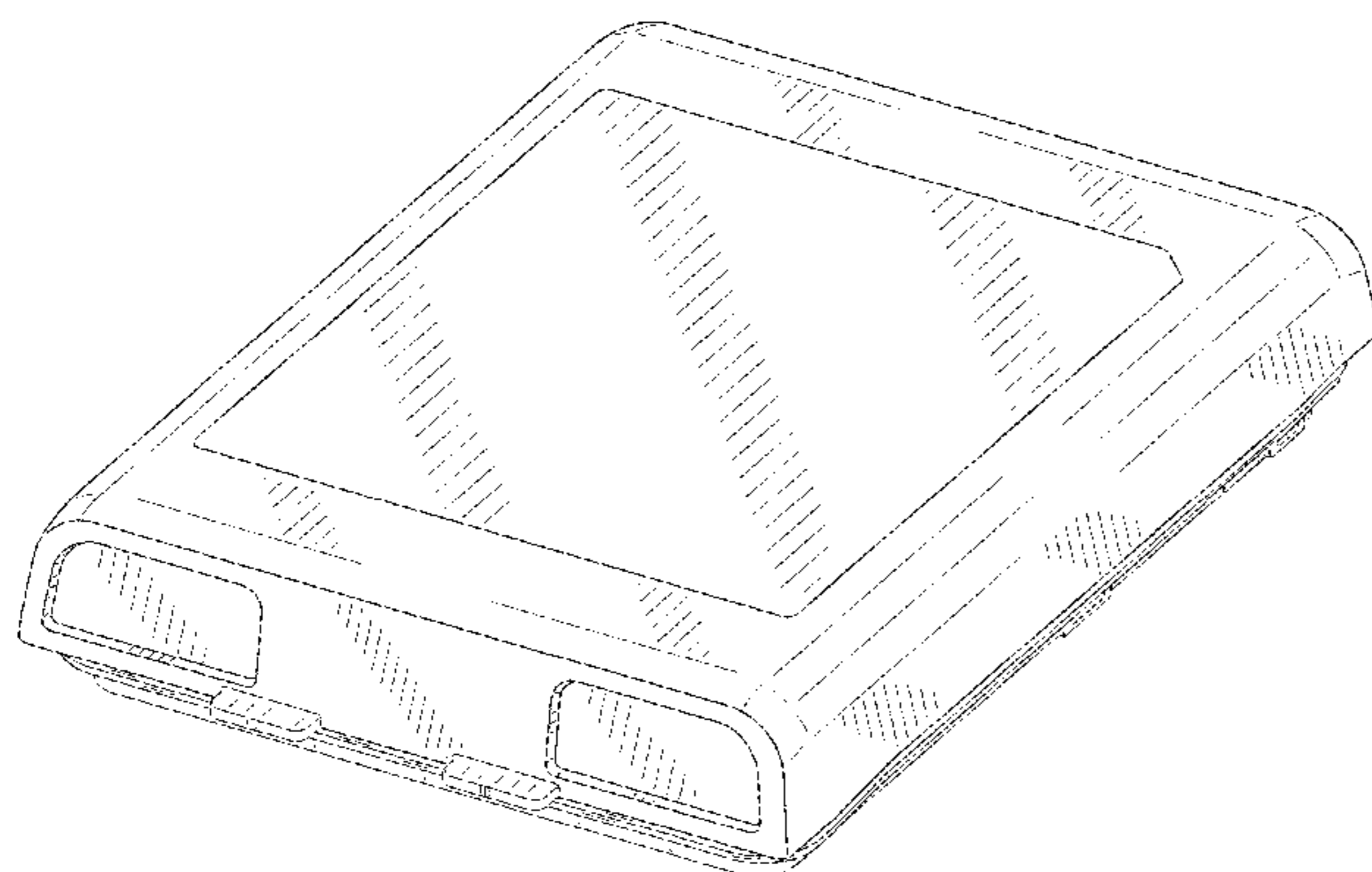
1 Claim, 10 Drawing Sheets

(56) **References Cited**

U.S. PATENT DOCUMENTS

D292,287 S * 10/1987 Holcomb D14/193
D408,823 S * 4/1999 Kirby D14/240
D503,922 S 4/2005 Shimizu

(Continued)



(56)

References Cited

U.S. PATENT DOCUMENTS

D605,293 S * 12/2009 Kurokawa D24/174
D640,608 S * 6/2011 Funabiki D12/114
D656,093 S * 3/2012 Nomi D13/107
D676,808 S * 2/2013 Zhou D13/108
D688,198 S 8/2013 Takeshita et al.
D697,023 S * 1/2014 Fallon D13/102
D740,262 S * 10/2015 Hasegawa D14/240
D795,211 S * 8/2017 Franck D13/184
D816,049 S * 4/2018 Kim D13/184
2016/0293995 A1 * 10/2016 Pasma H01M 50/24
2018/0351212 A1 * 12/2018 Matsui H01M 50/543

FOREIGN PATENT DOCUMENTS

CN 305491784 * 12/2019
WO WOD204774-002 * 12/2019

OTHER PUBLICATIONS

“Panasonic Tablet PC Battery for FZ-X1 MK1 FZ-VZSUX100J”,
first available Aug. 11, 2014. Amazon.com [<https://www.amazon.com/Panasonic-Tablet-Battery-FZ-X1-FZ-VZSUX100J/dp/B00MN2RTGG>] (Year: 2014).*

* cited by examiner

FIG. 1

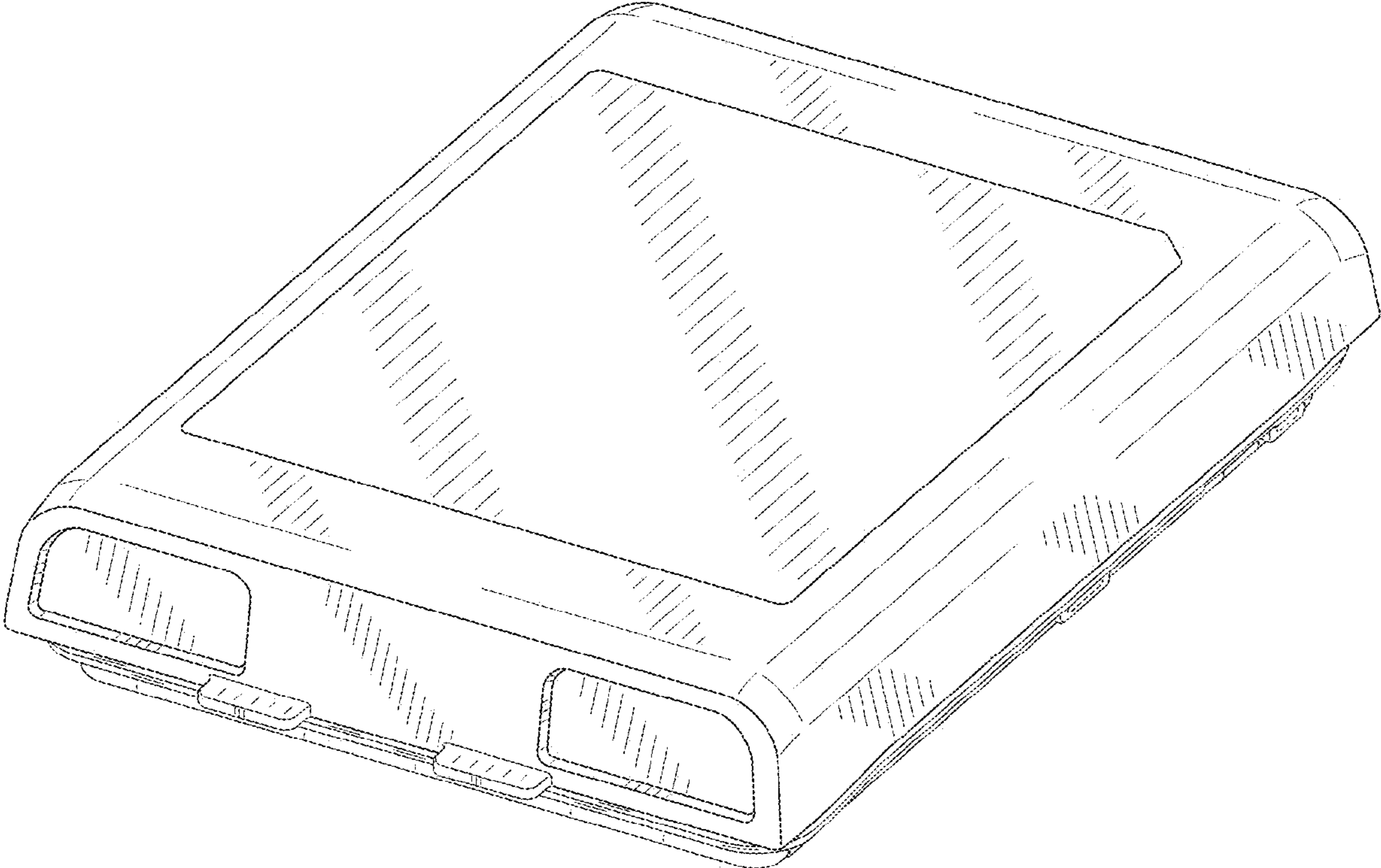


FIG. 2

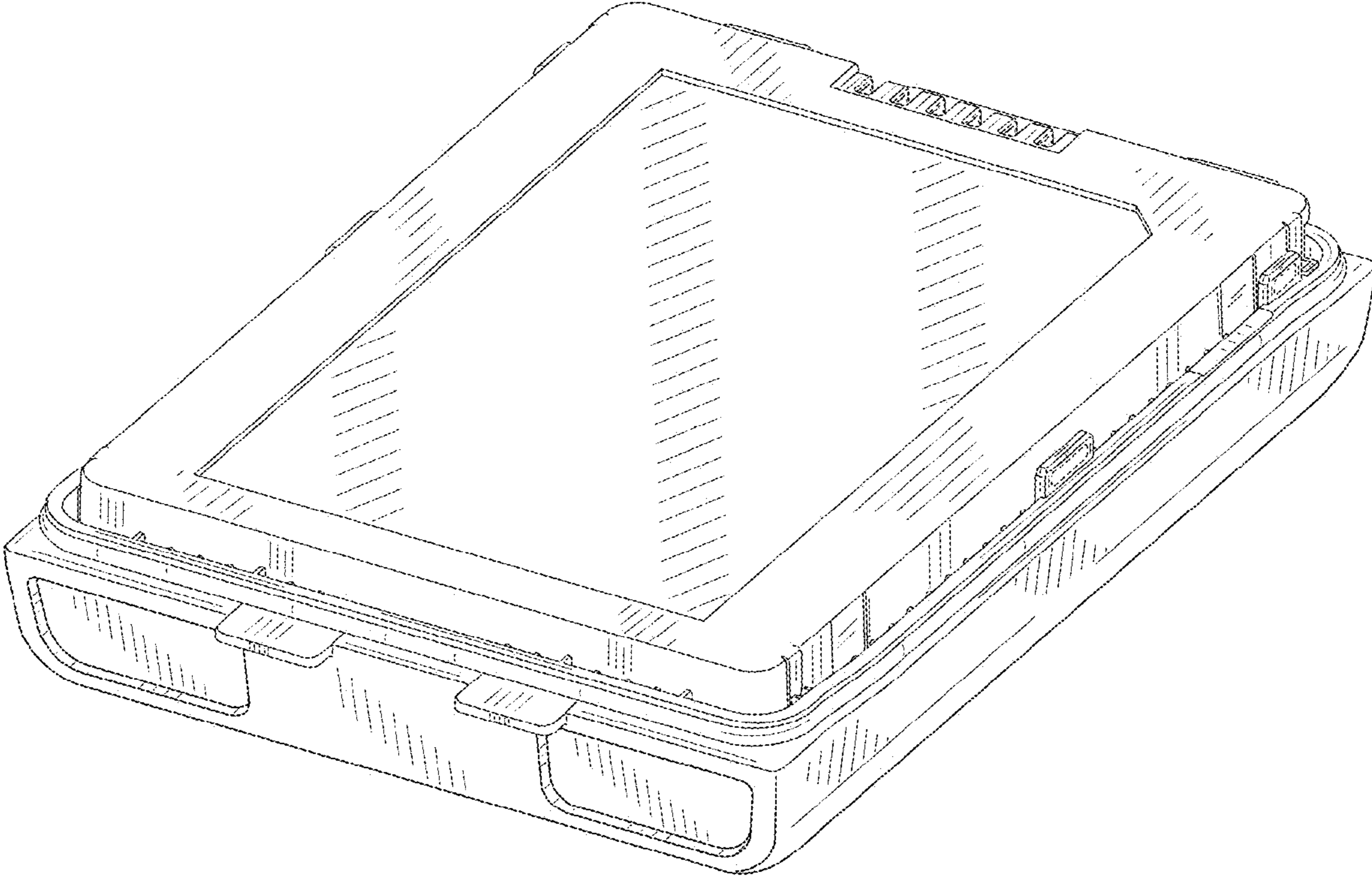


FIG. 3

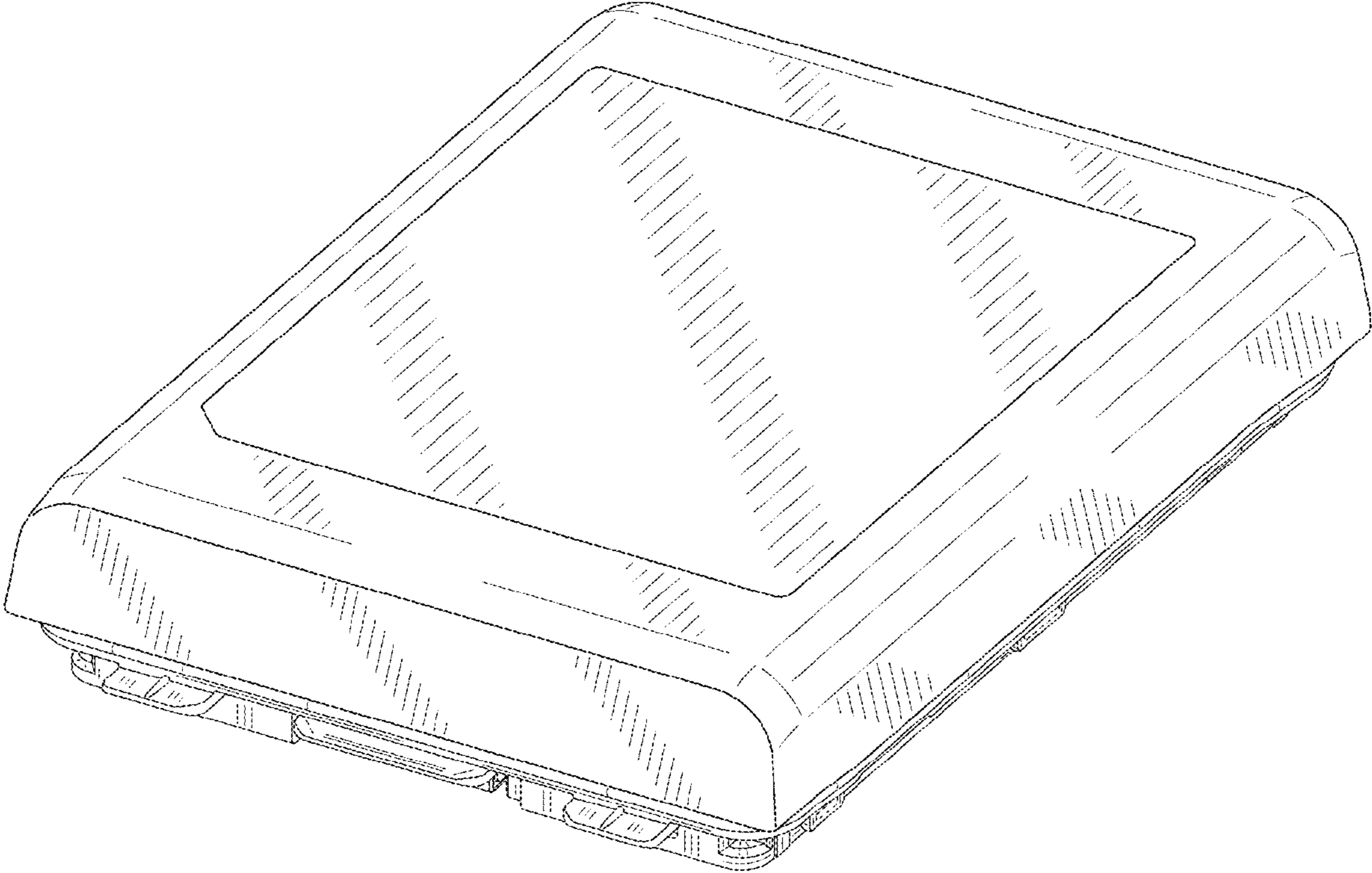


FIG. 4

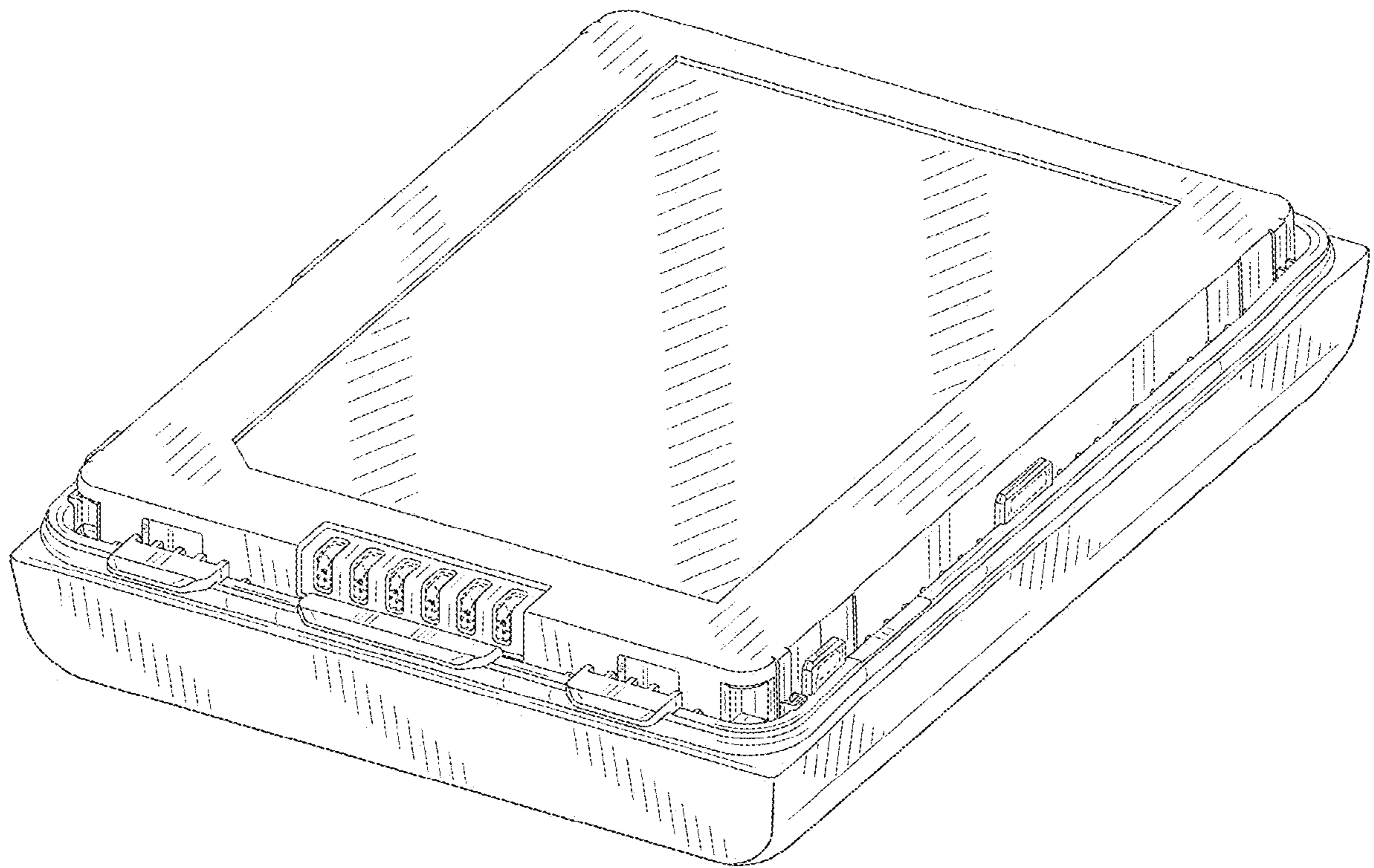


FIG. 5

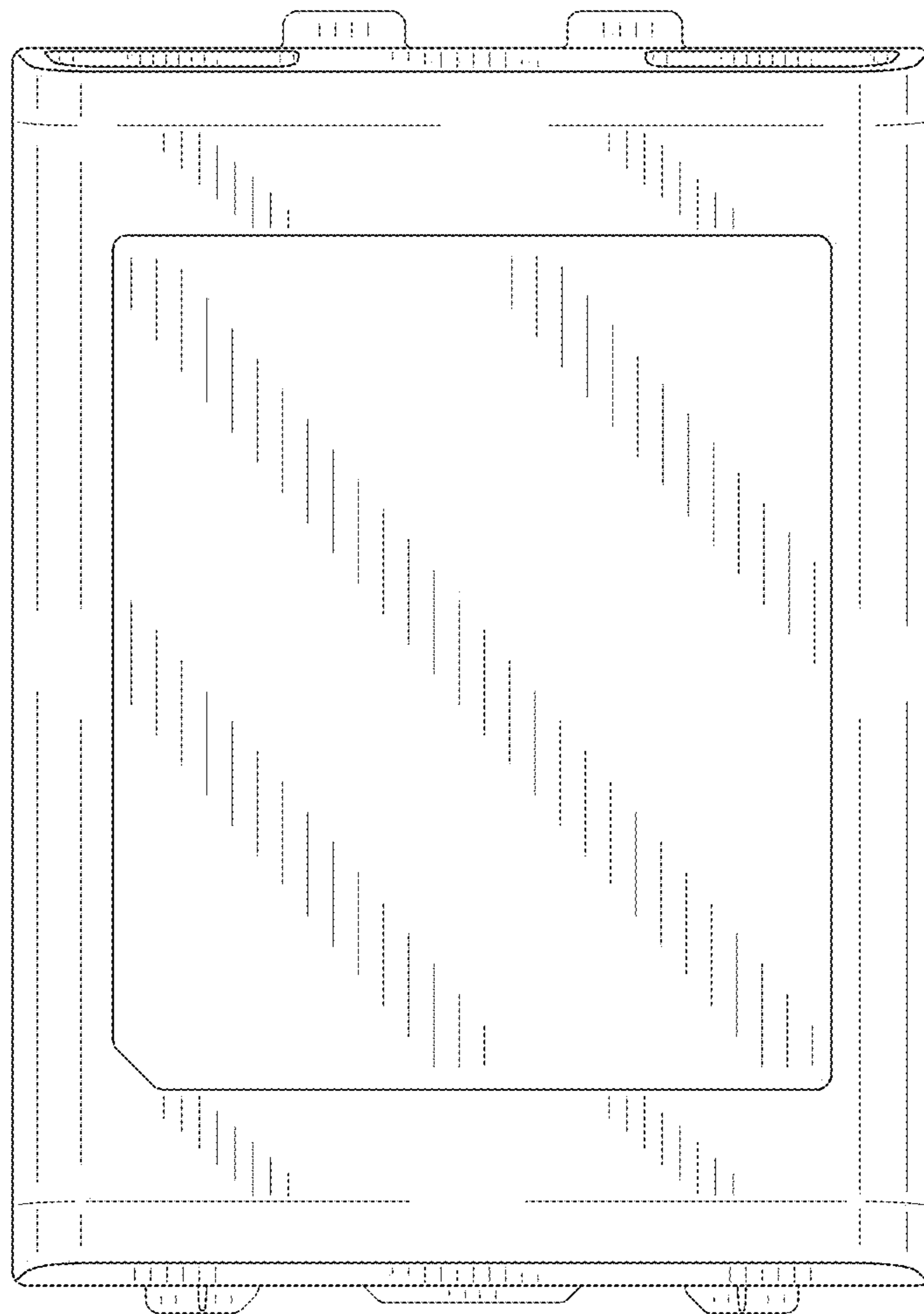


FIG. 6

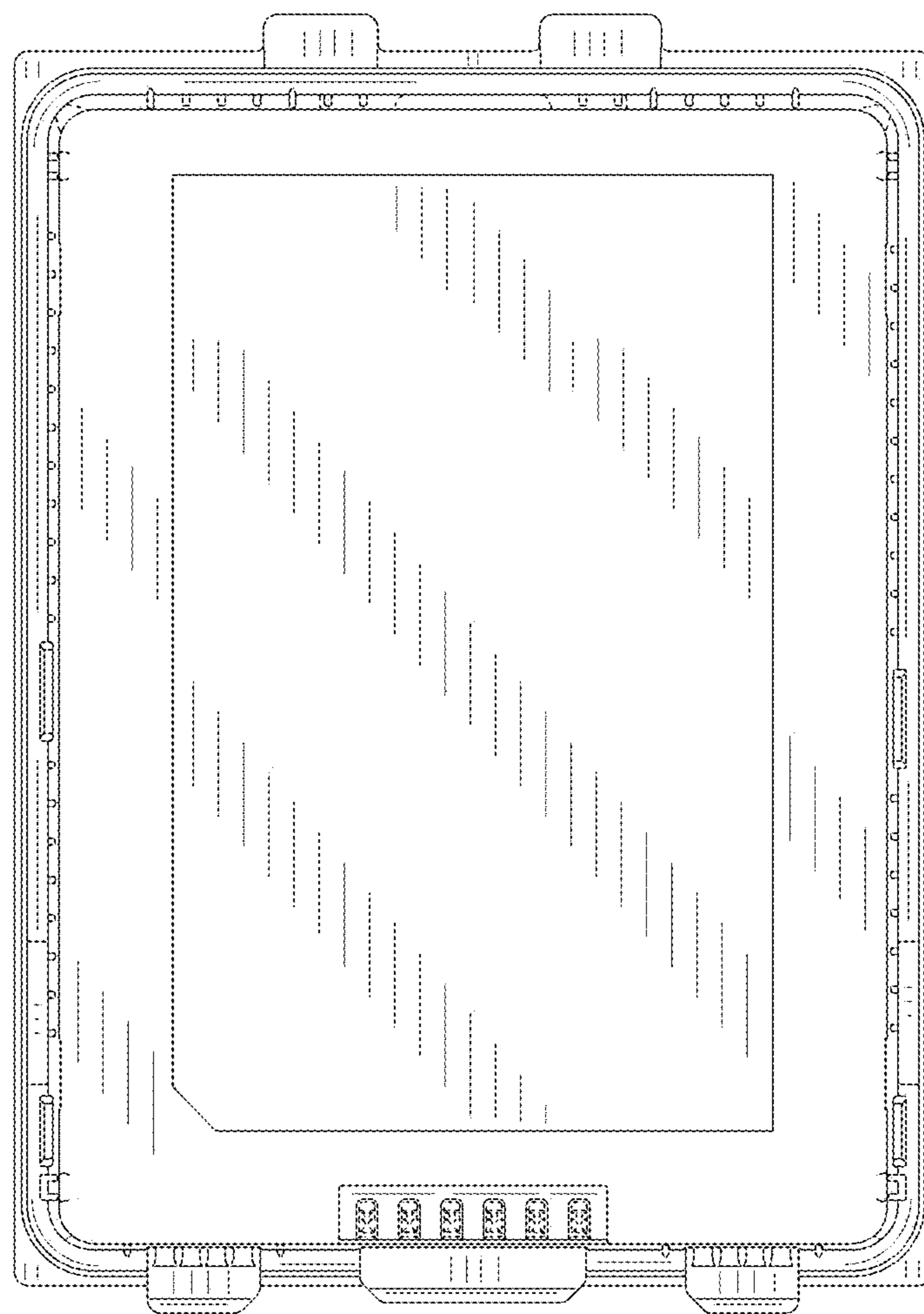


FIG. 7

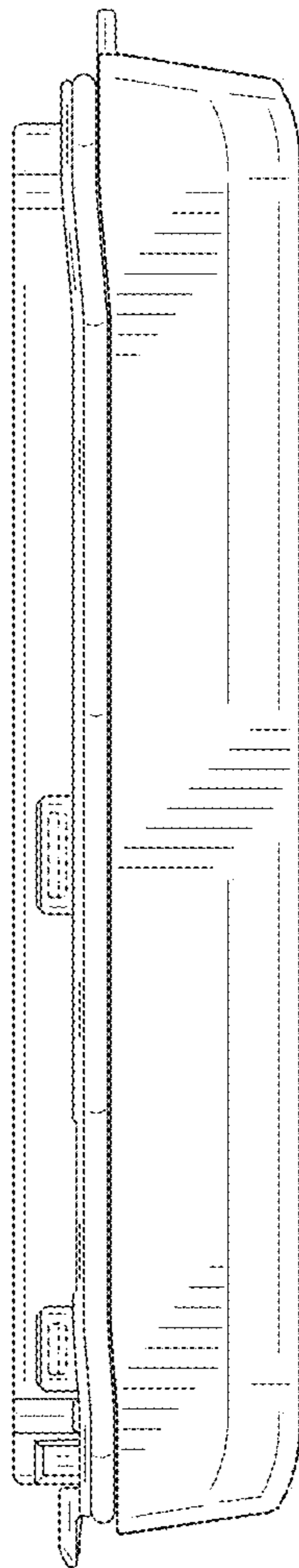


FIG. 8

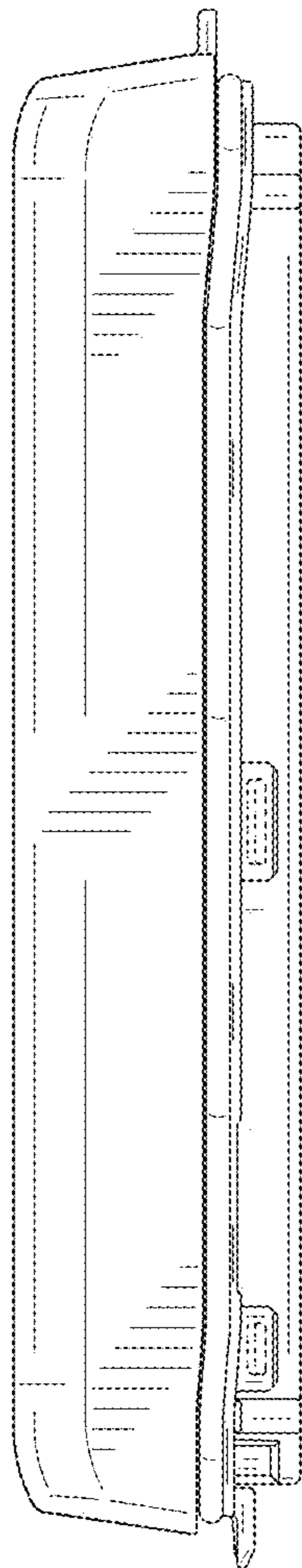


FIG. 9

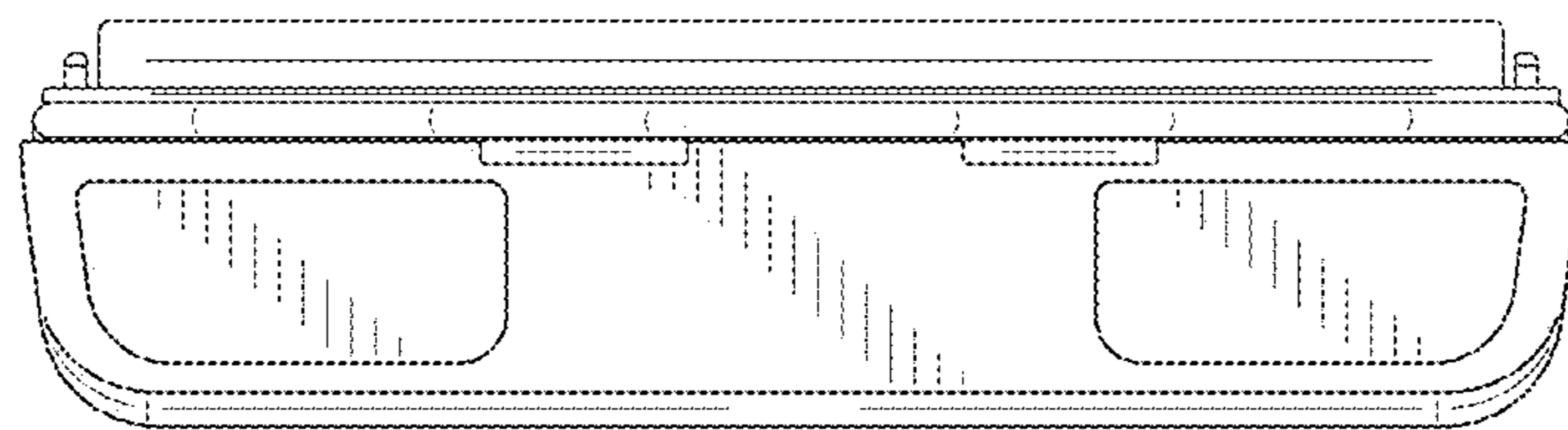


FIG. 10

