



US00D935993S

(12) **United States Design Patent** (10) **Patent No.:** **US D935,993 S**
Miyamichi et al. (45) **Date of Patent:** **** Nov. 16, 2021**

(54) **SOLAR CELL MODULE**

(71) Applicant: **KYOCERA Corporation**, Kyoto (JP)

(72) Inventors: **Yusuke Miyamichi**, Hikone (JP); **Shoei Sato**, Yokohama (JP); **Keita Kurosu**, Moriyama (JP)

(73) Assignee: **KYOCERA Corporation**, Kyoto (JP)

(**) Term: **15 Years**

(21) Appl. No.: **29/741,117**

(22) Filed: **Jul. 9, 2020**

(51) **LOC (13) Cl.** **13-02**

(52) **U.S. Cl.**
USPC **D13/102**

(58) **Field of Classification Search**
USPC D13/101, 102, 107, 133, 184, 199
(Continued)

(56) **References Cited**

U.S. PATENT DOCUMENTS

D613,243 S * 4/2010 Burt D13/102
D707,623 S * 6/2014 Marks D13/102
(Continued)

FOREIGN PATENT DOCUMENTS

JP 1385728 S 4/2010

OTHER PUBLICATIONS

Nedo, et al., Nedo, Sharp, and Toyota to Begin Public Road Trials of Electrified Vehicles Equipped with High-efficiency Solar Batteries, Jul. 4, 2019, <https://global.toyota/en/newsroom/corporate/28787347.html>, Tokyo, Japan, 17 pages.

Primary Examiner — Derrick E Holland

(74) *Attorney, Agent, or Firm* — Procopio Cory Hargreaves and Savitch LLP

(57) **CLAIM**

We claim the ornamental design for a solar cell module, as shown and described.

DESCRIPTION

FIG. 1 is a perspective view of one embodiment of a solar cell module;

FIG. 2 is a front side view of the claimed design of FIG. 1;

FIG. 3 is a back side view of the claimed design of FIG. 1;

FIG. 4 is a left side view of the claimed design of FIG. 1;

FIG. 5 is a right side view of the claimed design of FIG. 1;

FIG. 6 is a top side view of the claimed design of FIG. 1;

FIG. 7 is a bottom side view of the claimed design of FIG. 1;

FIG. 8 is a perspective view of the claimed design of FIG. 1, shown in environmental use;

FIG. 9 is a left side sectional view of the claimed design of FIG. 1 along line 9-9 of FIG. 6;

FIG. 10 is a sectional view of one embodiment of the claimed design of FIG. 1 showing the 10-10 portion of FIG. 6 along line 9-9 of FIG. 6;

FIG. 11 is a sectional view of another embodiment of the claimed design of FIG. 1 showing the 11-11 portion of FIG. 6 along line 9-9 of FIG. 6;

FIG. 12 is a perspective view of another embodiment of the solar cell module;

FIG. 13 is a front side view of the claimed design of FIG. 12;

FIG. 14 is a back side view of the claimed design of FIG. 12;

FIG. 15 is a left side view of the claimed design of FIG. 12;

FIG. 16 is a right side view of the claimed design of FIG. 12;

FIG. 17 is a top side view of the claimed design of FIG. 12;

FIG. 18 is a bottom side view of the claimed design of FIG. 12;

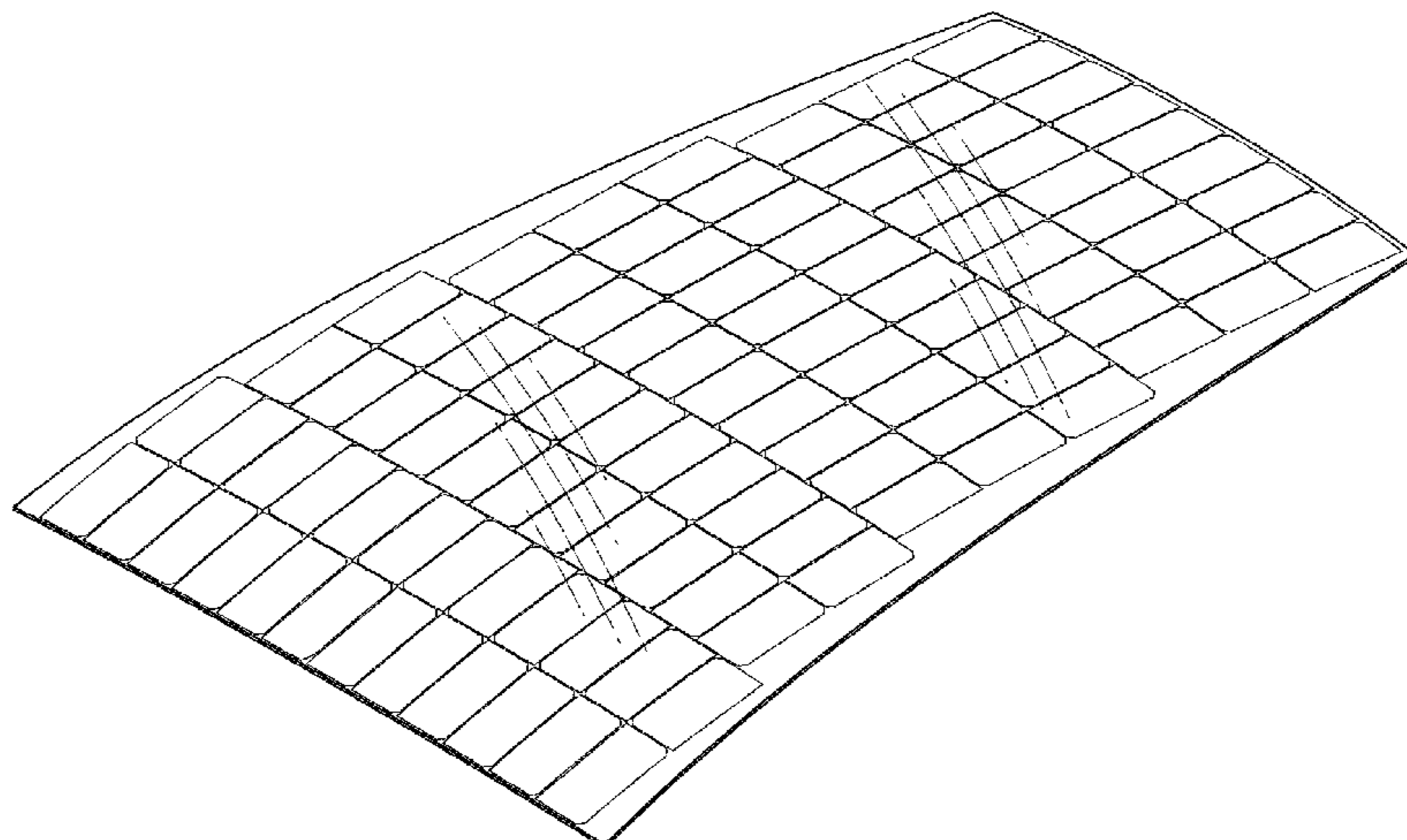
FIG. 19 is a perspective view of the claimed design of FIG. 12, shown in environmental use;

FIG. 20 is a left side sectional view of the claimed design of FIG. 12 along line 20-20 of FIG. 17;

FIG. 21 is a sectional view of one embodiment of the claimed design of FIG. 12 showing the 21-21 portion of FIG. 17 along line 20-20 of FIG. 17; and,

FIG. 22 is a sectional view of another embodiment of the claimed design of FIG. 12 showing the 22-22 portion of FIG. 17 along line 20-20 of FIG. 17.

(Continued)



The broken lines in the figures show portions of the solar cell module that form no part of the claimed design.
The oblique shade lines in the figures show transparency and not surface ornamentation.

1 Claim, 10 Drawing Sheets

(58) **Field of Classification Search**

CPC H01L 31/02; H01L 31/18; H01L 31/042;
H01L 31/048; H01L 31/0525; H01L
31/0203; H01L 31/02008; H01L 31/0504;
H01L 31/02013; H01L 31/0468; H01L
31/0488; H01L 27/142; H01L 27/1421;
Y02E 10/40; Y02E 10/47; Y02E 10/50;
Y02E 10/52; Y02E 10/54; Y02E 10/542;
Y02E 10/544; H02S 30/10; H02S 30/20;
H02S 40/34; H02S 40/44; H02S 20/30;
H02J 7/0042; B60L 58/13; B60L 8/003;
B60L 8/006

See application file for complete search history.

(56)

References Cited

U.S. PATENT DOCUMENTS

D772,157	S *	11/2016	Banerjee	D13/102
D774,451	S *	12/2016	Castillo-Aguilella	D13/102
9,647,300	B2 *	5/2017	Thramann	B60L 53/65
D800,648	S *	10/2017	Mei	D13/102
10,543,750	B2 *	1/2020	Ota	H02J 7/35
2010/0000592	A1 *	1/2010	Ko	F24S 30/20 136/246
2013/0081673	A1 *	4/2013	Kinyon	H02S 30/10 136/251
2014/0167677	A1 *	6/2014	Voelkner	H02J 7/35 320/101
2018/0029544	A1 *	2/2018	Nania	H02S 10/40
2018/0222537	A1 *	8/2018	Sakabe	H01L 31/048
2019/0207046	A1 *	7/2019	de Bie	H01L 31/0504
2020/0058812	A1 *	2/2020	Zhou	B60L 8/003

* cited by examiner

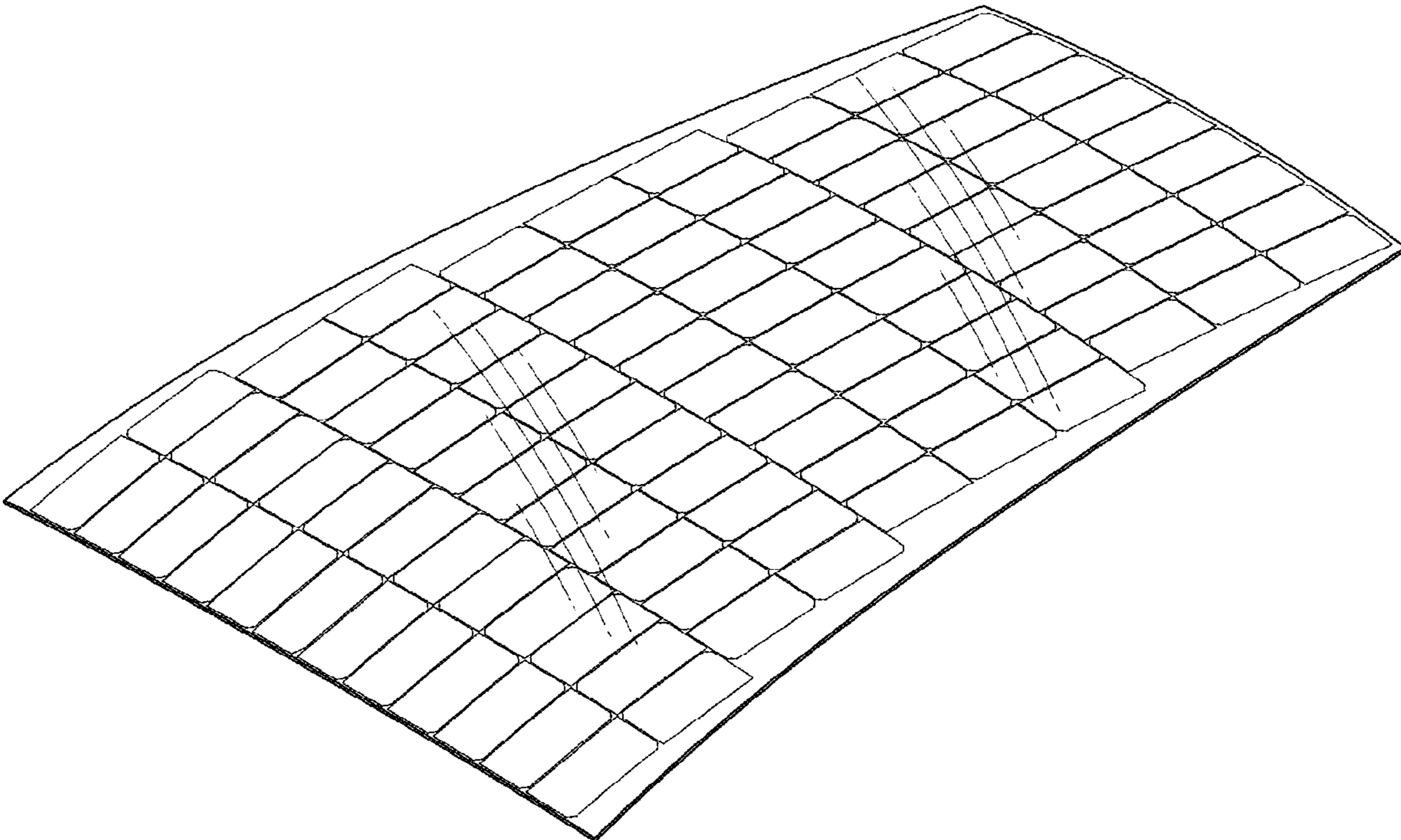


FIG. 1

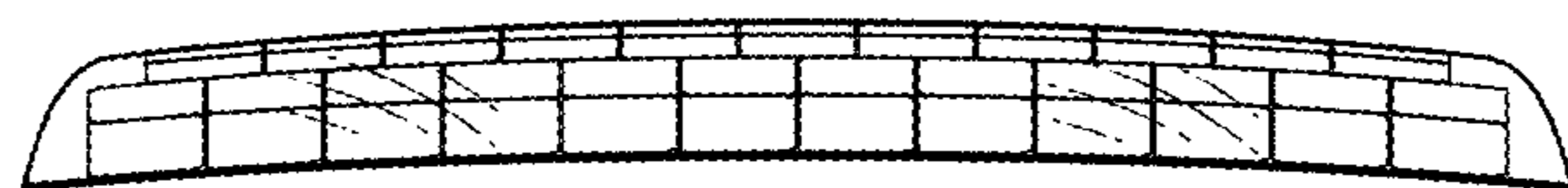


FIG. 2

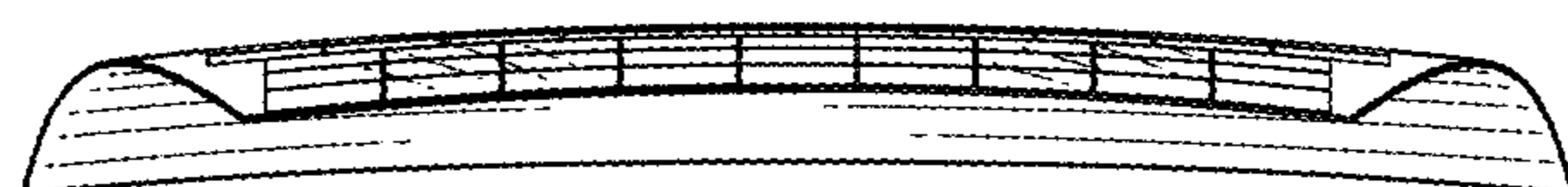


FIG. 3

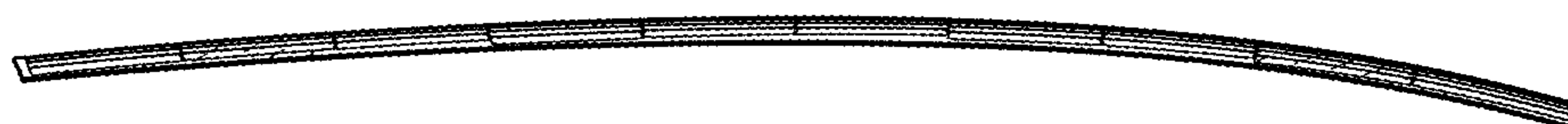


FIG. 4



FIG. 5

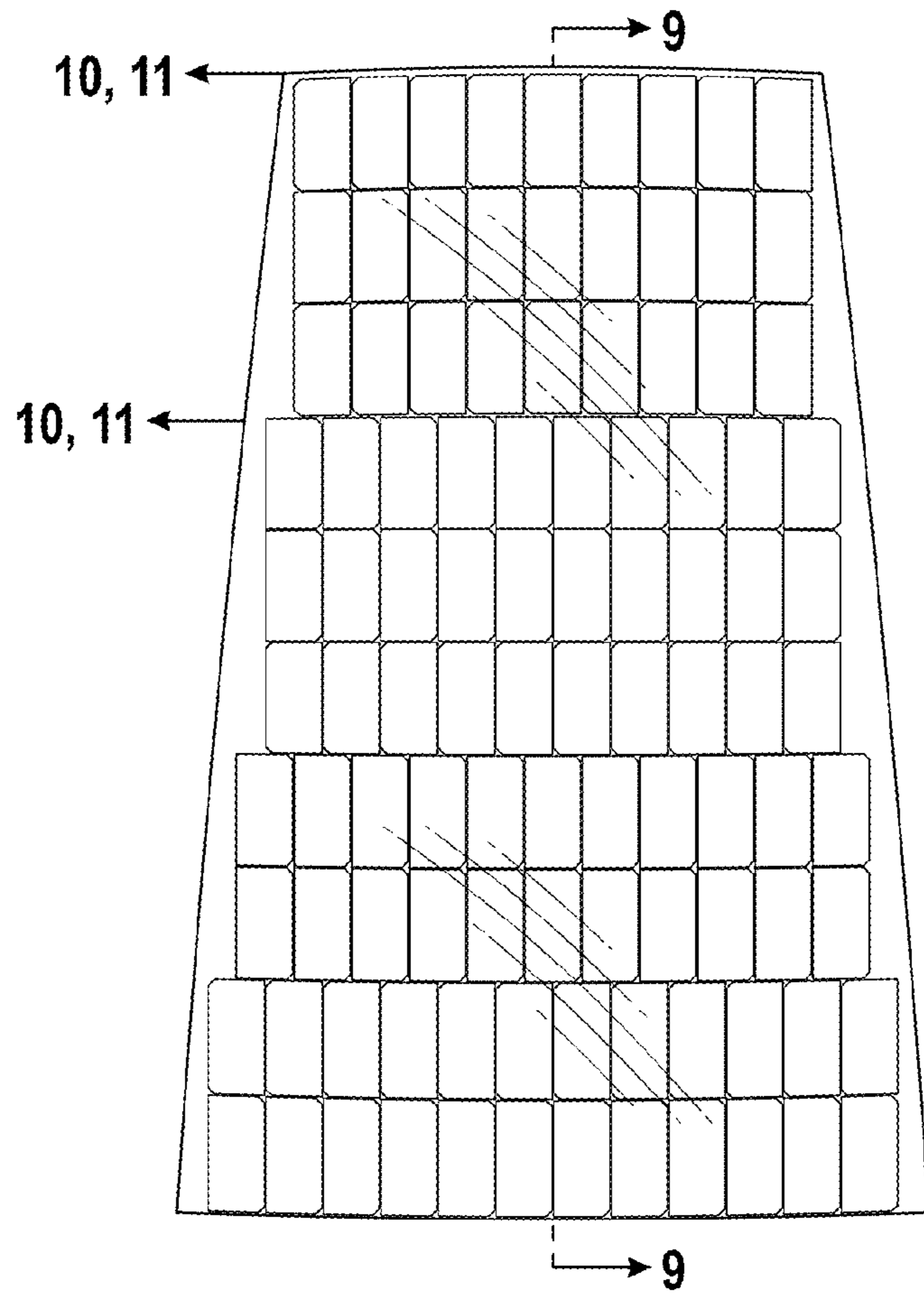


FIG. 6

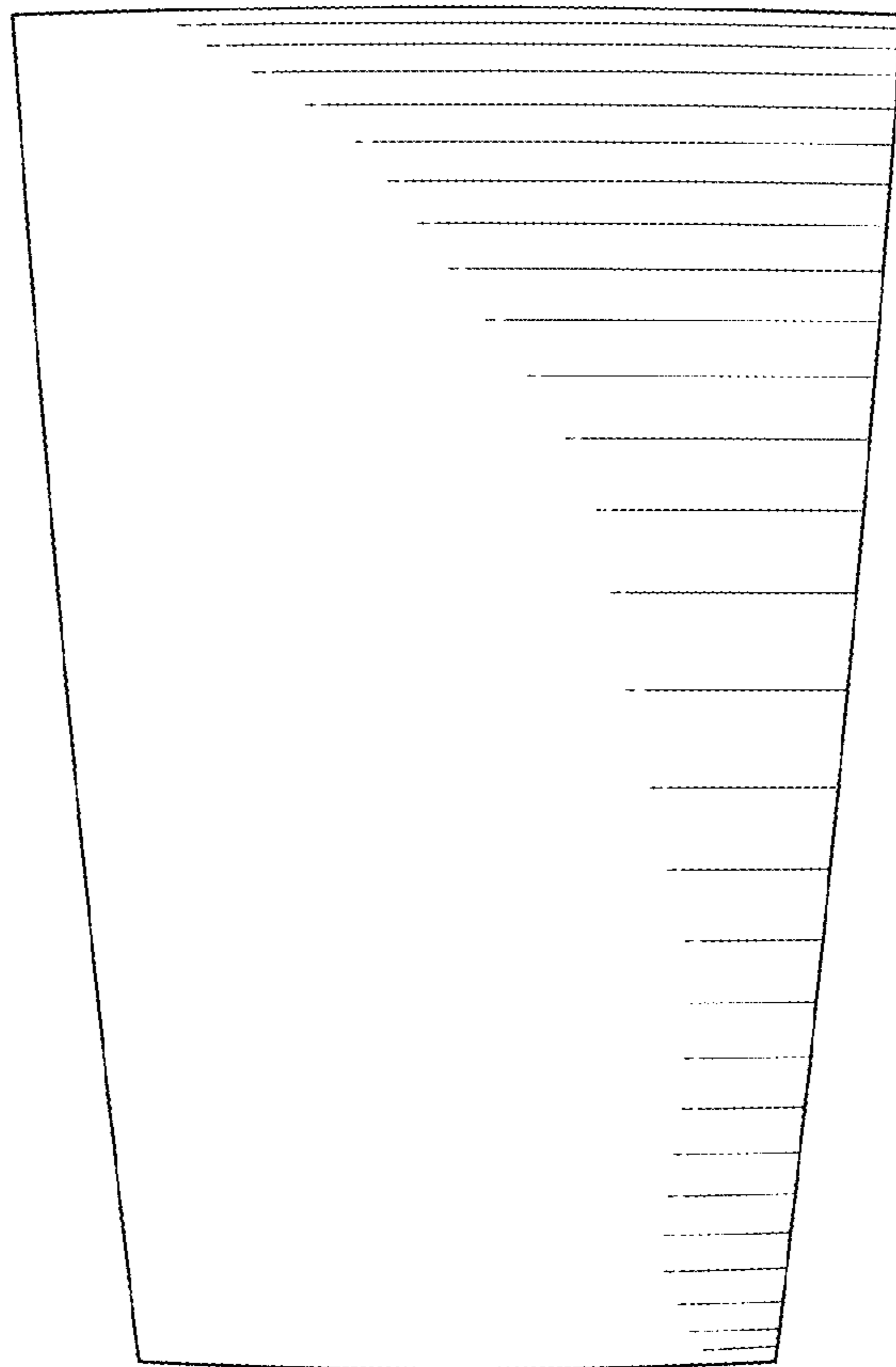


FIG. 7

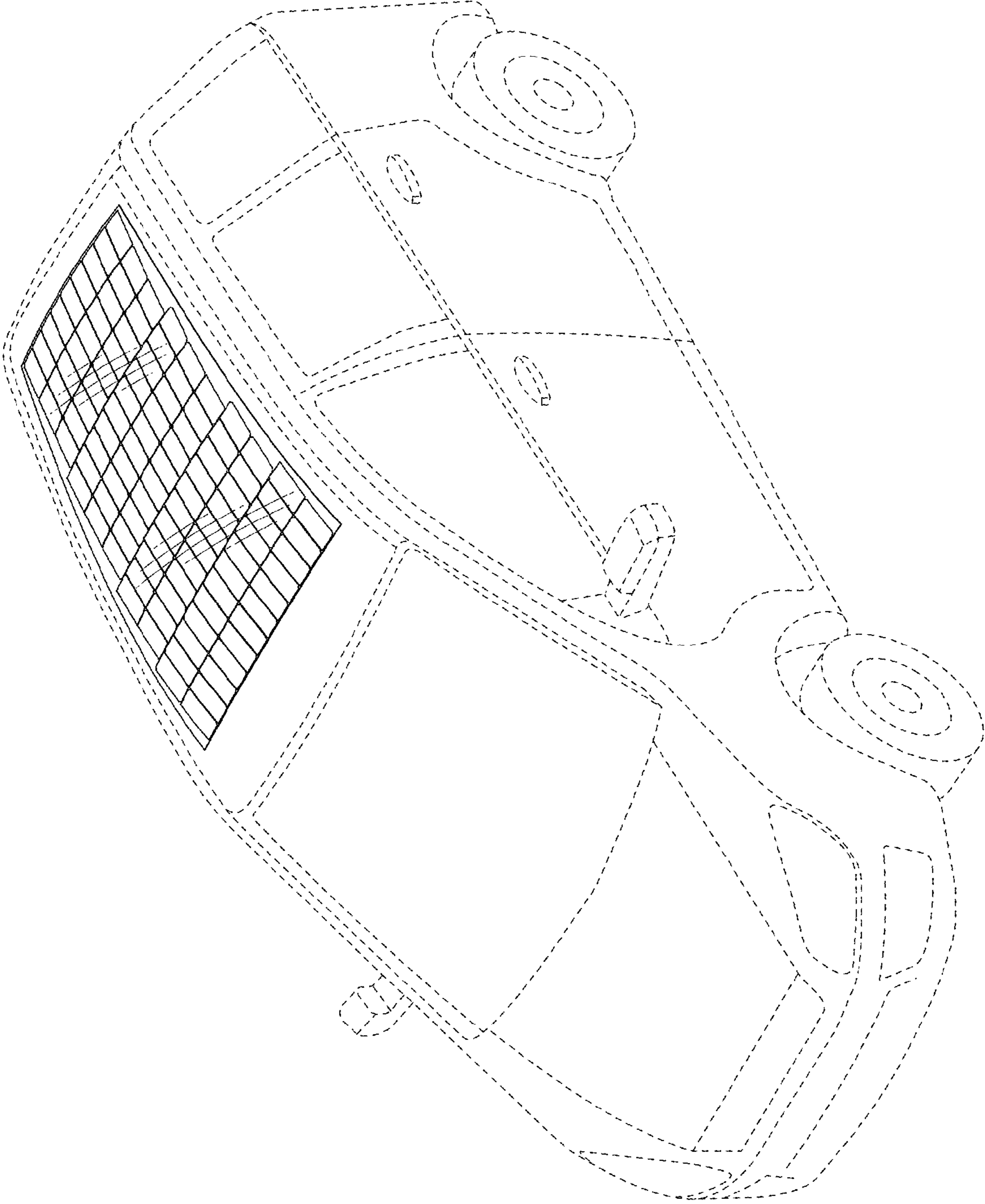


FIG. 8



FIG. 9

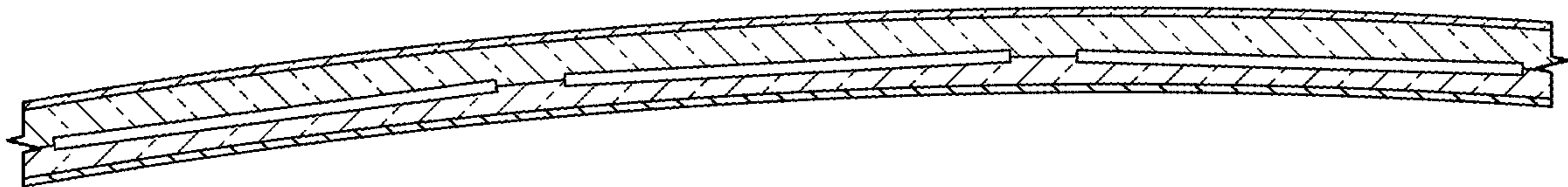


FIG. 10

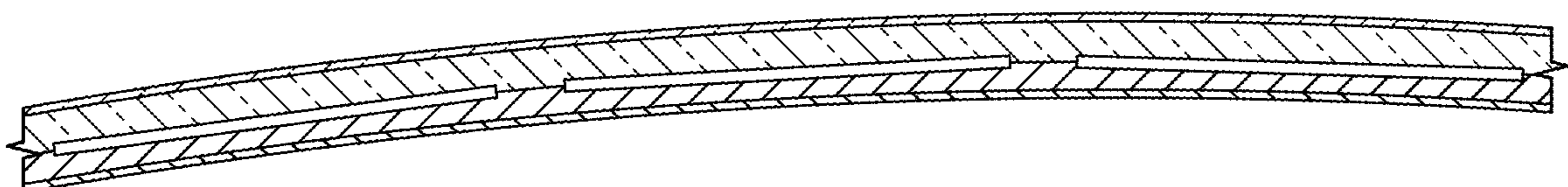


FIG. 11

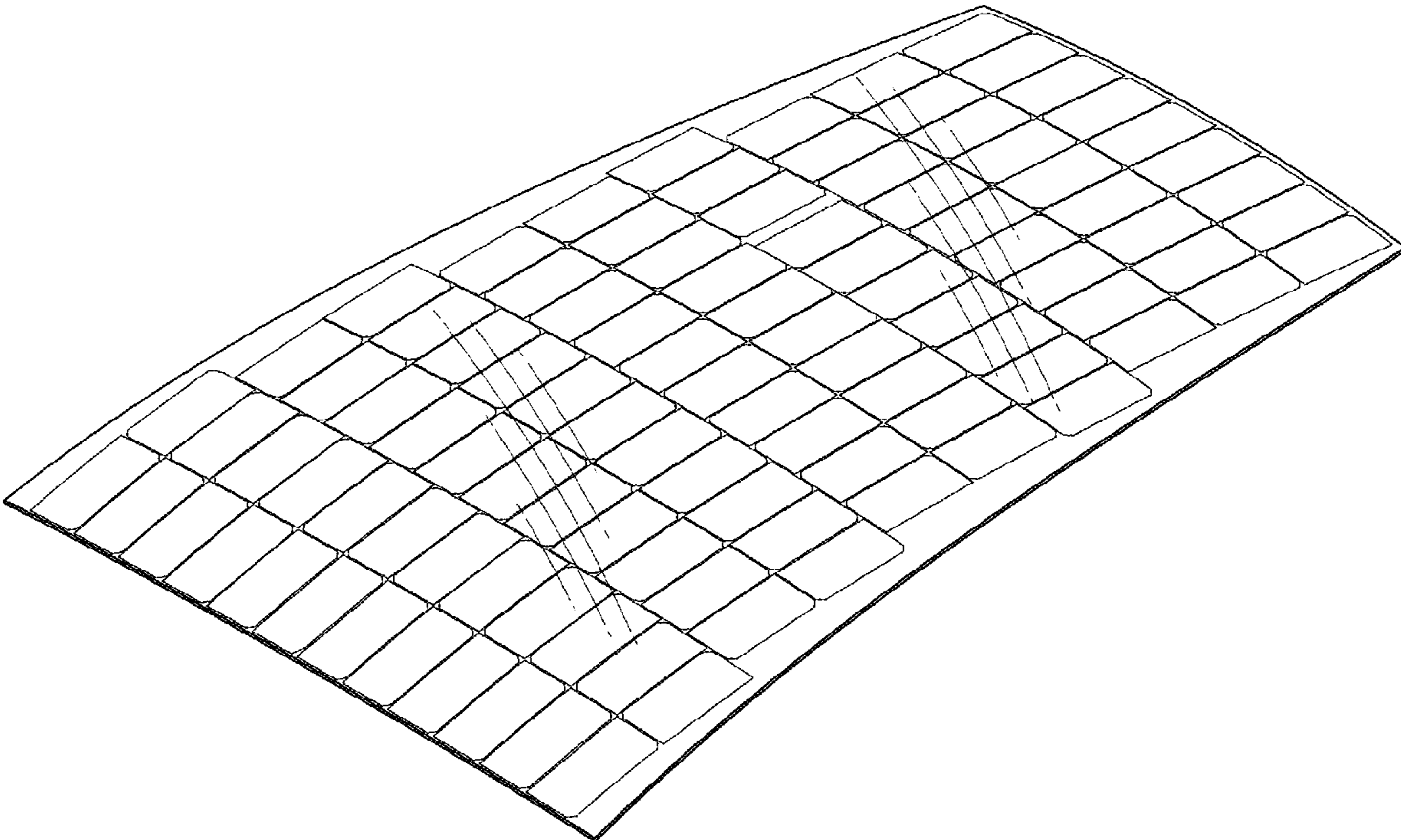


FIG. 12

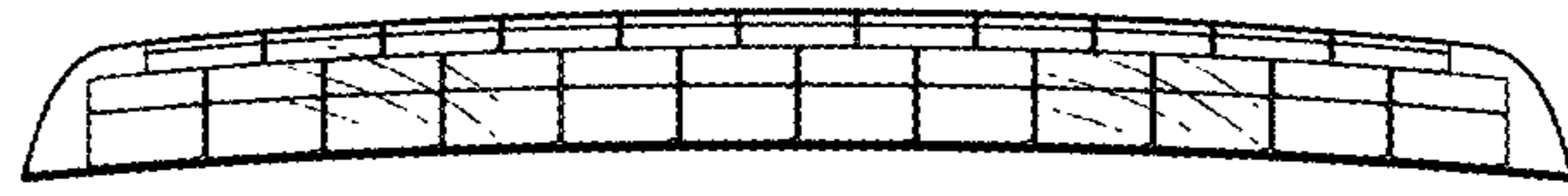


FIG. 13

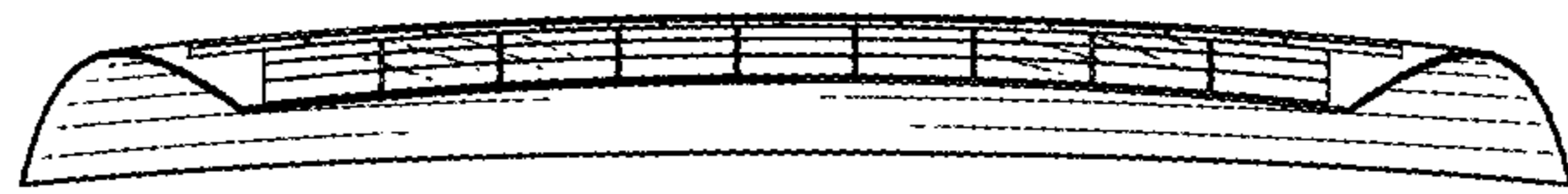


FIG. 14

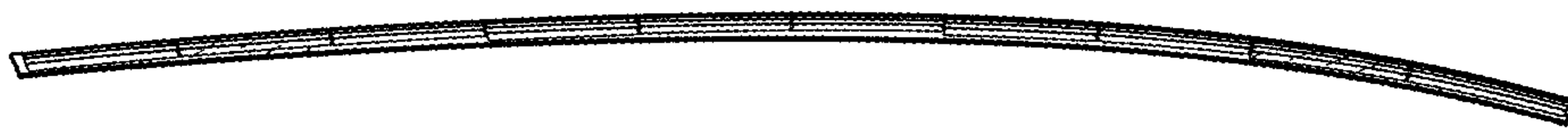


FIG. 15

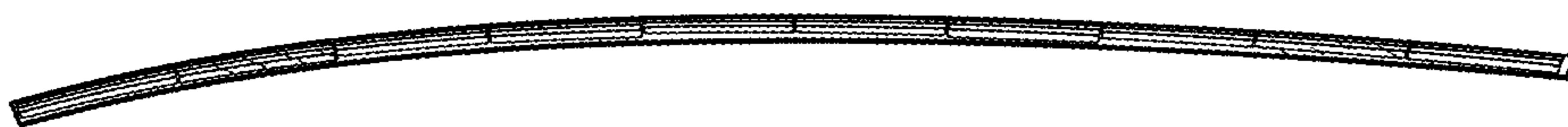


FIG. 16

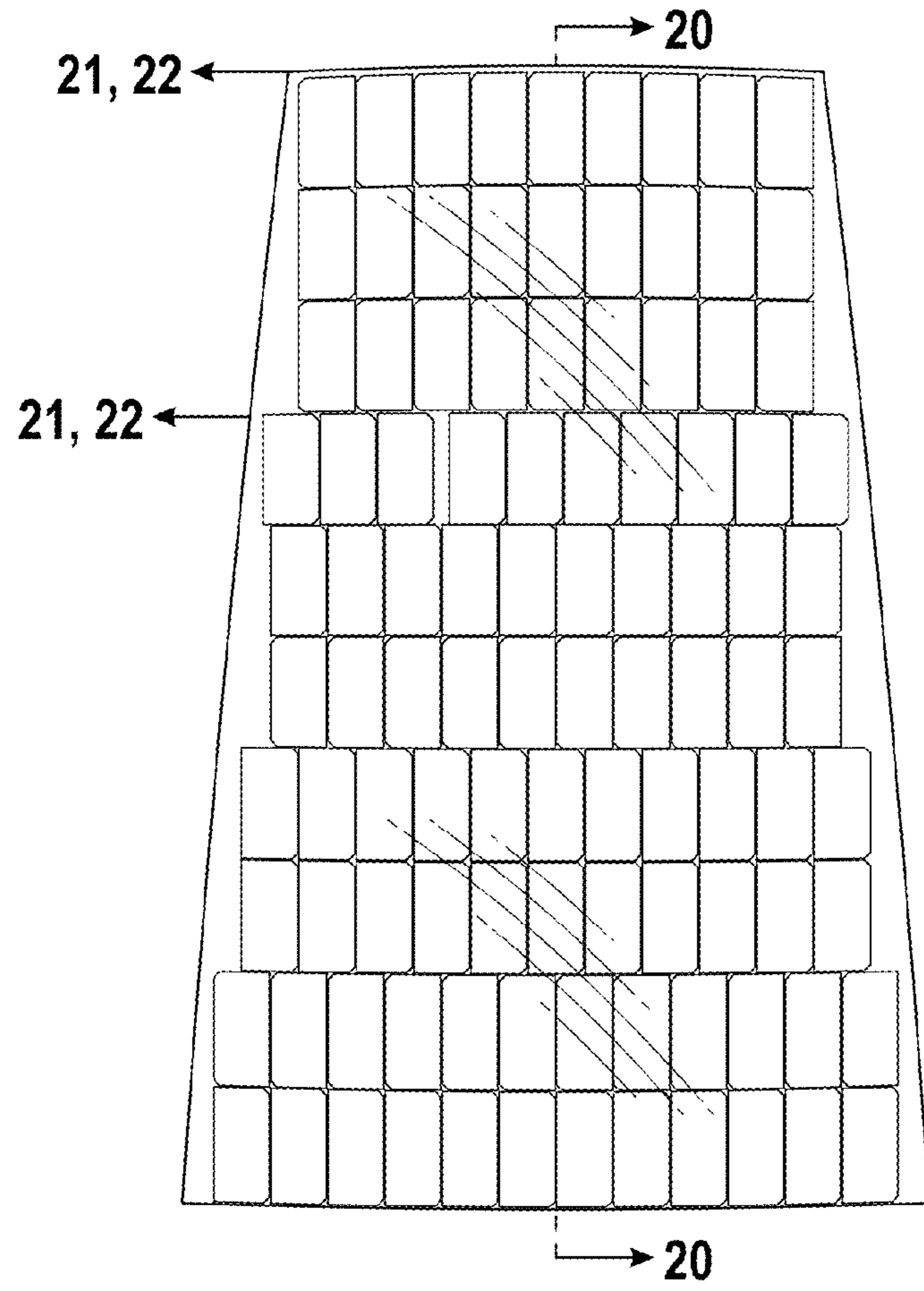


FIG. 17

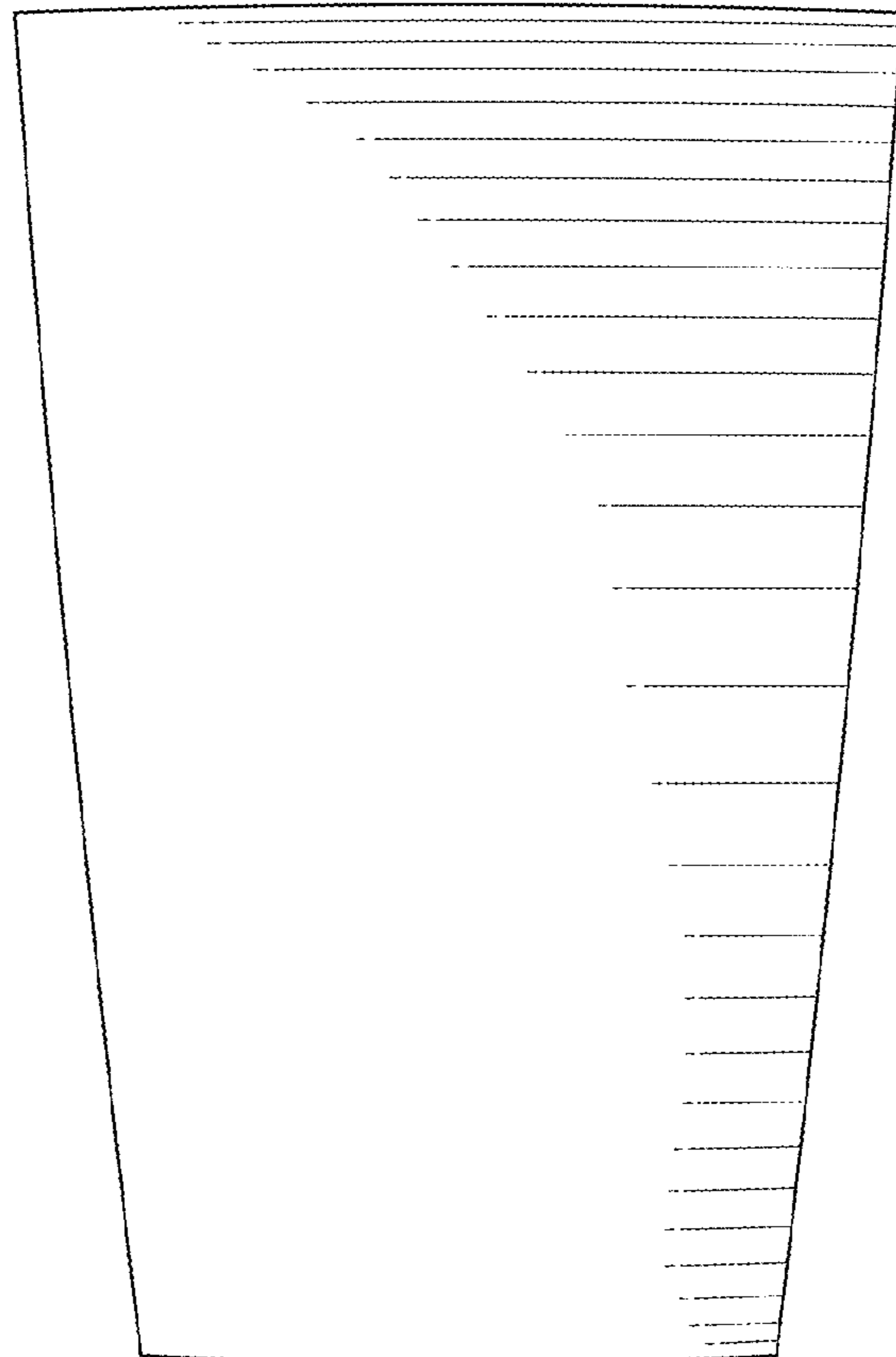


FIG. 18

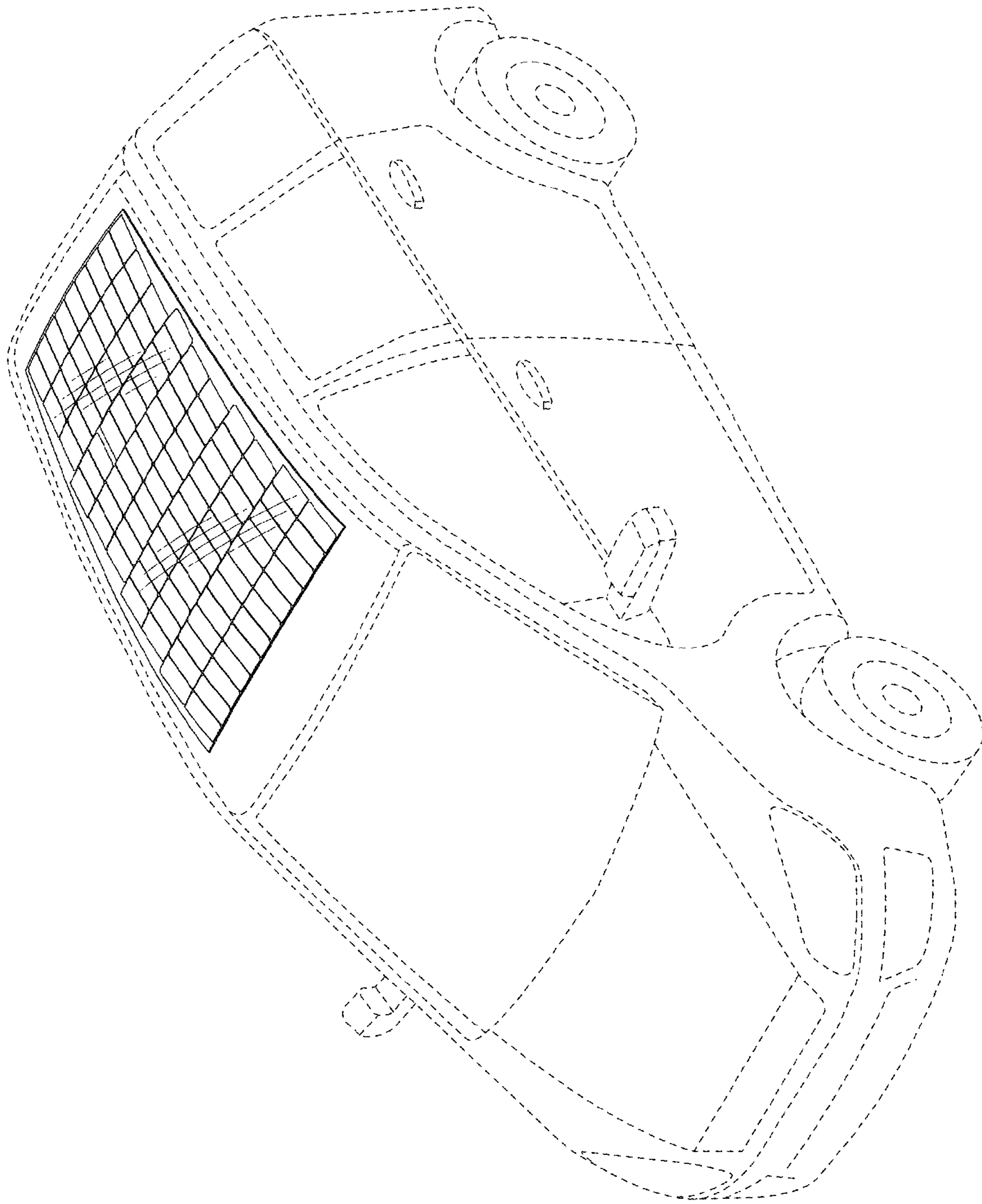


FIG. 19



FIG. 20

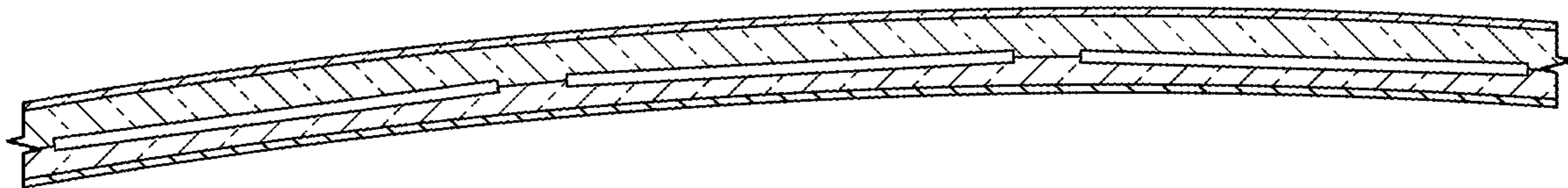


FIG. 21

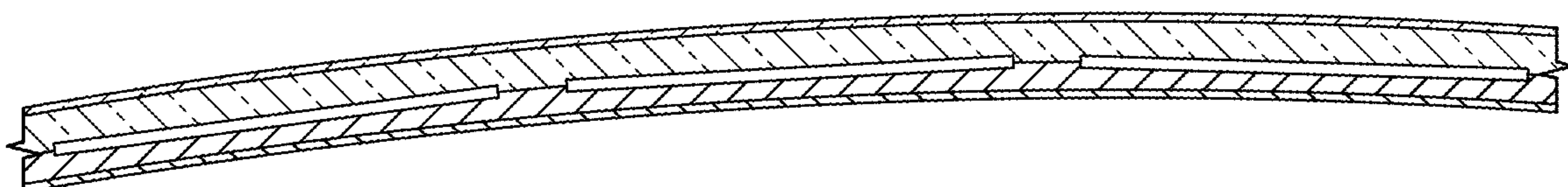


FIG. 22