



US00D935987S

(12) **United States Design Patent**
Benvenuti et al.

(10) **Patent No.:** **US D935,987 S**

(45) **Date of Patent:** **** Nov. 16, 2021**

(54) **TIRE**

(71) Applicant: **The Goodyear Tire & Rubber Company, Akron, OH (US)**

(72) Inventors: **Andrea Benvenuti, Luxembourg (LU); Marc Becker, Trier (DE); Pierre Vincent Veronique Ghislain Philipin, Arlon (BE); Ettore Passante Spaccapietra, Ettelbruck (LU); Anne-France Gabrielle Jeanne-Marie Cambron, Mersch (LU)**

(73) Assignee: **The Goodyear Tire & Rubber Company, Akron, OH (US)**

(**) Term: **15 Years**

(21) Appl. No.: **29/707,771**

(22) Filed: **Oct. 1, 2019**

(51) **LOC (13) Cl.** **12-15**

(52) **U.S. Cl.**
USPC **D12/600**

(58) **Field of Classification Search**
USPC D12/568-604, 900
CPC Y10T 152/10027; B60C 1/0016; B60C 11/0306; B60C 11/0302; B60C 3/06; B60C 9/17

See application file for complete search history.

(56) **References Cited**

U.S. PATENT DOCUMENTS

| | | | |
|------------|---------|-----------------|---------|
| D394,029 S | 5/1998 | Gillard et al. | |
| D394,034 S | 5/1998 | Feider et al. | |
| D402,932 S | 12/1998 | Gillard et al. | |
| D448,707 S | 10/2001 | Maziarka et al. | D12/147 |
| D461,162 S | 8/2002 | Young et al. | D12/595 |
| D473,513 S | 4/2003 | Welbes | D12/588 |
| D473,843 S | 4/2003 | Le et al. | D12/600 |

| | | | |
|--------------|---------|--------------------------|---------|
| D500,732 S | 1/2005 | Lo | |
| D528,500 S | 9/2006 | Le et al. | D12/600 |
| D541,737 S | 5/2007 | Cazin-Bourguignon et al. | |
| D554,576 S | 11/2007 | Suzuki | |
| D588,984 S | 3/2009 | Lee | |
| D599,282 S | 9/2009 | Nicolas | |
| D611,893 S * | 3/2010 | Iwabuchi | D12/601 |
| D642,975 S | 8/2011 | Givens et al. | |

(Continued)

Primary Examiner — John A Voytek

(74) *Attorney, Agent, or Firm* — Robert N. Lipsik

(57) **CLAIM**

The ornamental Design for a tire, as shown and described.

DESCRIPTION

FIG. 1 is a perspective view of a tire showing our new design, it being understood that the pattern repeats uniformly throughout the circumference of the tread;

FIG. 2 is a front elevational view thereof;

FIG. 3 is a right side elevational view thereof; the left side elevational view being identical thereto;

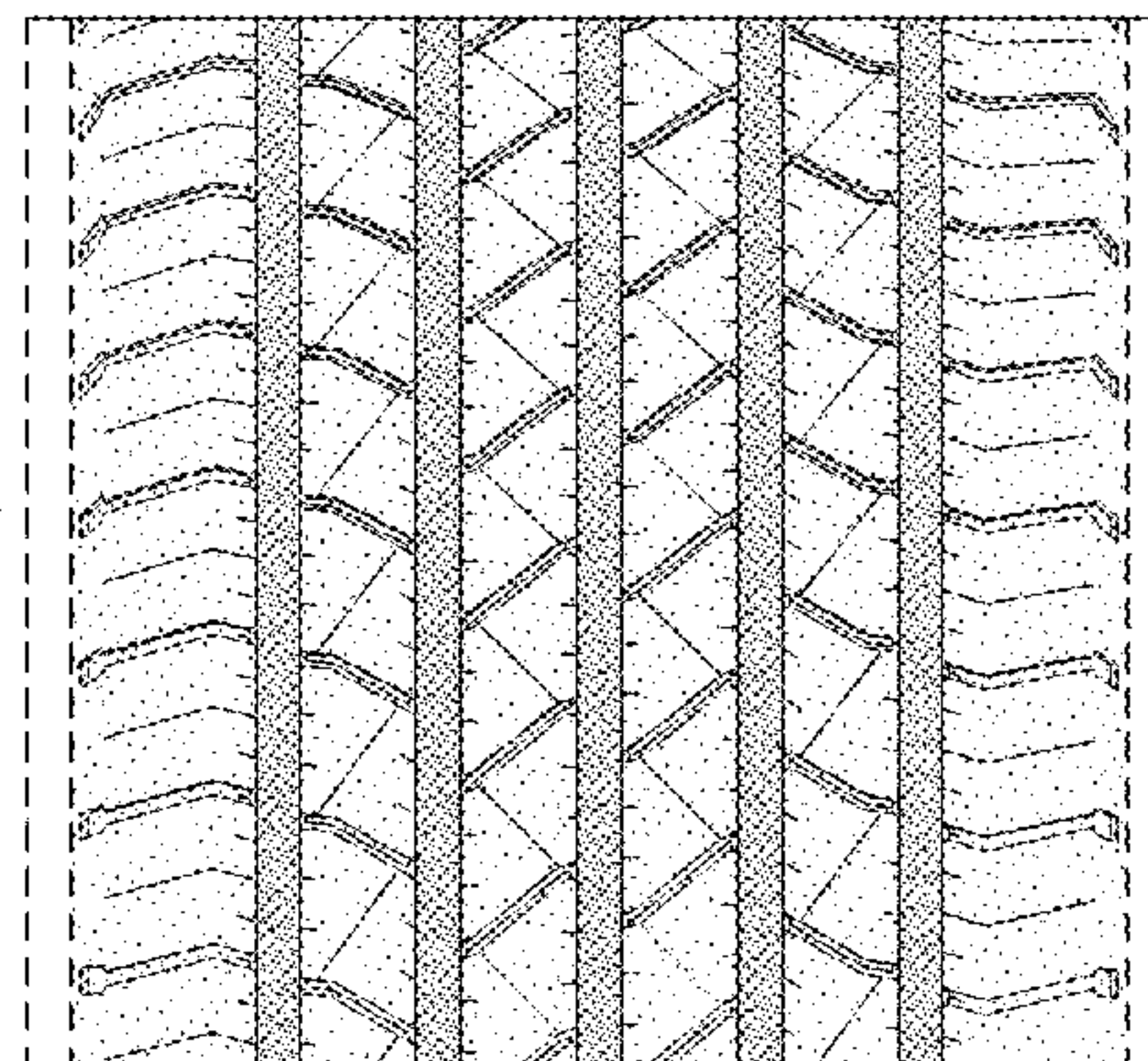
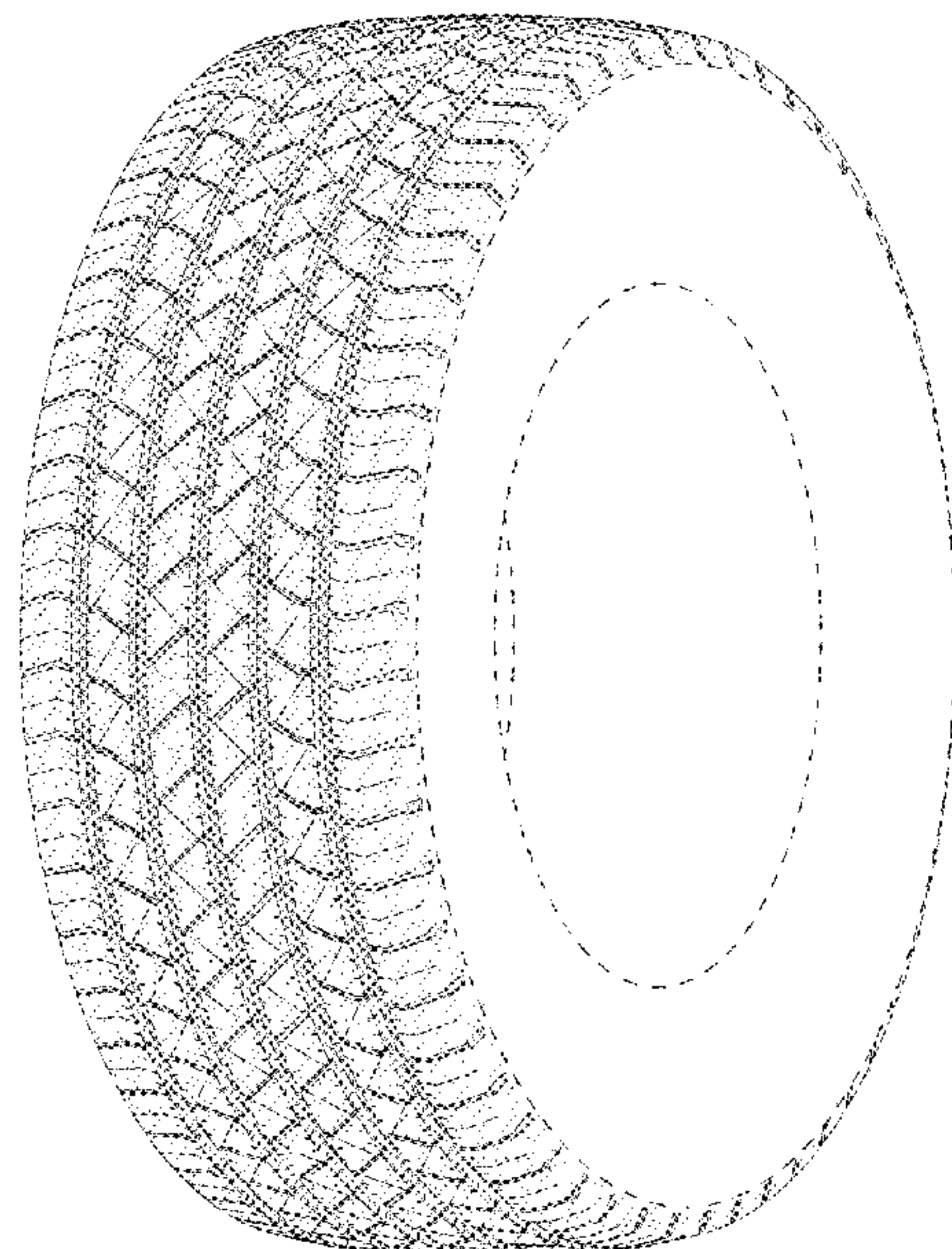
FIG. 4 is an enlarged fragmentary front elevational view thereof;

FIG. 5 is a perspective view of a second embodiment of a tire showing our new design, it being understood that the interior of the tire forms no part of the claim, that the pattern repeats uniformly throughout the circumference of the tread and that the opposite side view is identical thereto; and,

FIG. 6 is a front elevational view of a second embodiment, it being understood that an enlarged fragmentary view thereof would be substantially identical to that shown in FIG. 4, with the exception of the inclusion of the sidewall in the claim.

In the drawings, the broken lines immediately adjacent to the outer edges of the tire shoulder represent boundaries of the claim, and the broken lines depict environmental subject matter only and form no part of the claimed design.

1 Claim, 6 Drawing Sheets



(56)

References Cited

U.S. PATENT DOCUMENTS

| | | | |
|--------------|---------|-------------------|---------|
| D644,599 S | 9/2011 | Nicolas et al. | |
| D728,462 S | 5/2015 | Mathonet et al. | |
| D734,246 S | 7/2015 | Parr et al. | |
| D737,756 S | 9/2015 | Mathonet et al. | |
| D741,791 S | 10/2015 | Severyn | |
| D742,814 S | 11/2015 | Fleckner et al. | |
| D747,261 S | 1/2016 | Barrett et al. | |
| D757,642 S | 5/2016 | Kwak | |
| D770,371 S | 11/2016 | Mathonet et al. | |
| D782,964 S * | 4/2017 | Fursthos | D12/584 |
| D786,785 S | 5/2017 | Mathonet et al. | |
| D822,586 S | 7/2018 | Becker et al. | |
| D837,137 S | 1/2019 | Becker et al. | |
| D842,231 S * | 3/2019 | Becker | D12/588 |
| D849,676 S | 5/2019 | Becker et al. | |
| D853,946 S | 7/2019 | Becker et al. | |
| D886,030 S * | 6/2020 | Le | D12/565 |
| D896,163 S * | 9/2020 | Reygrobelle | D12/583 |

* cited by examiner

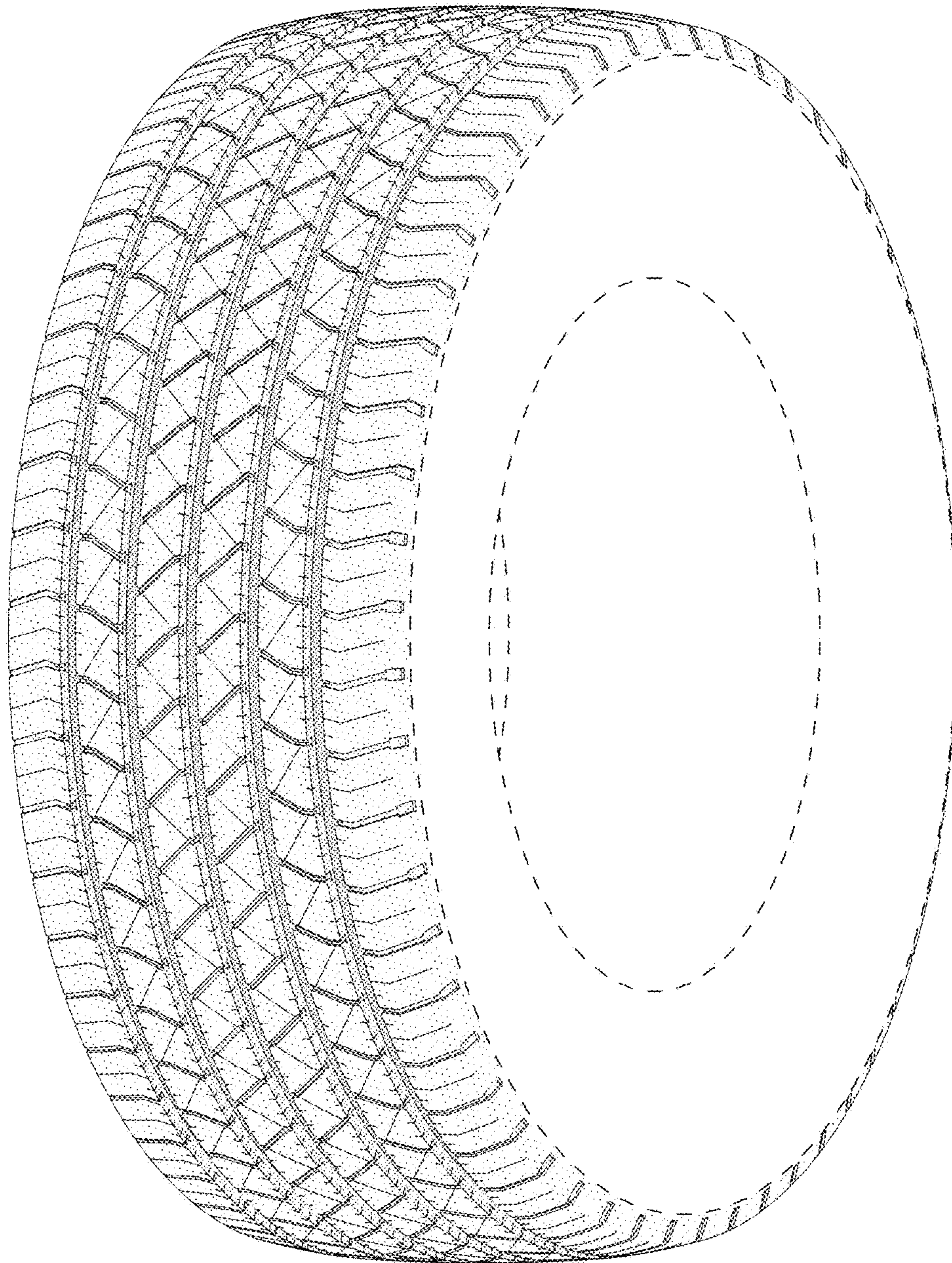


FIG - 1

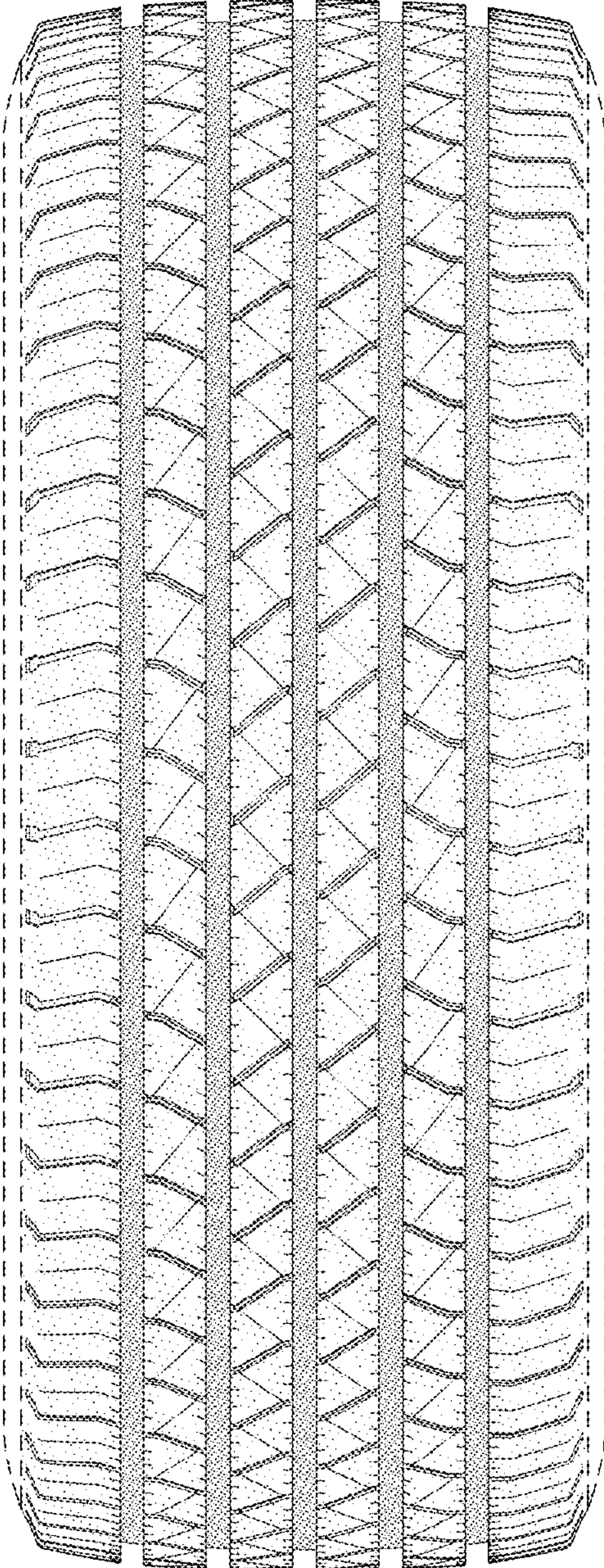


FIG - 2

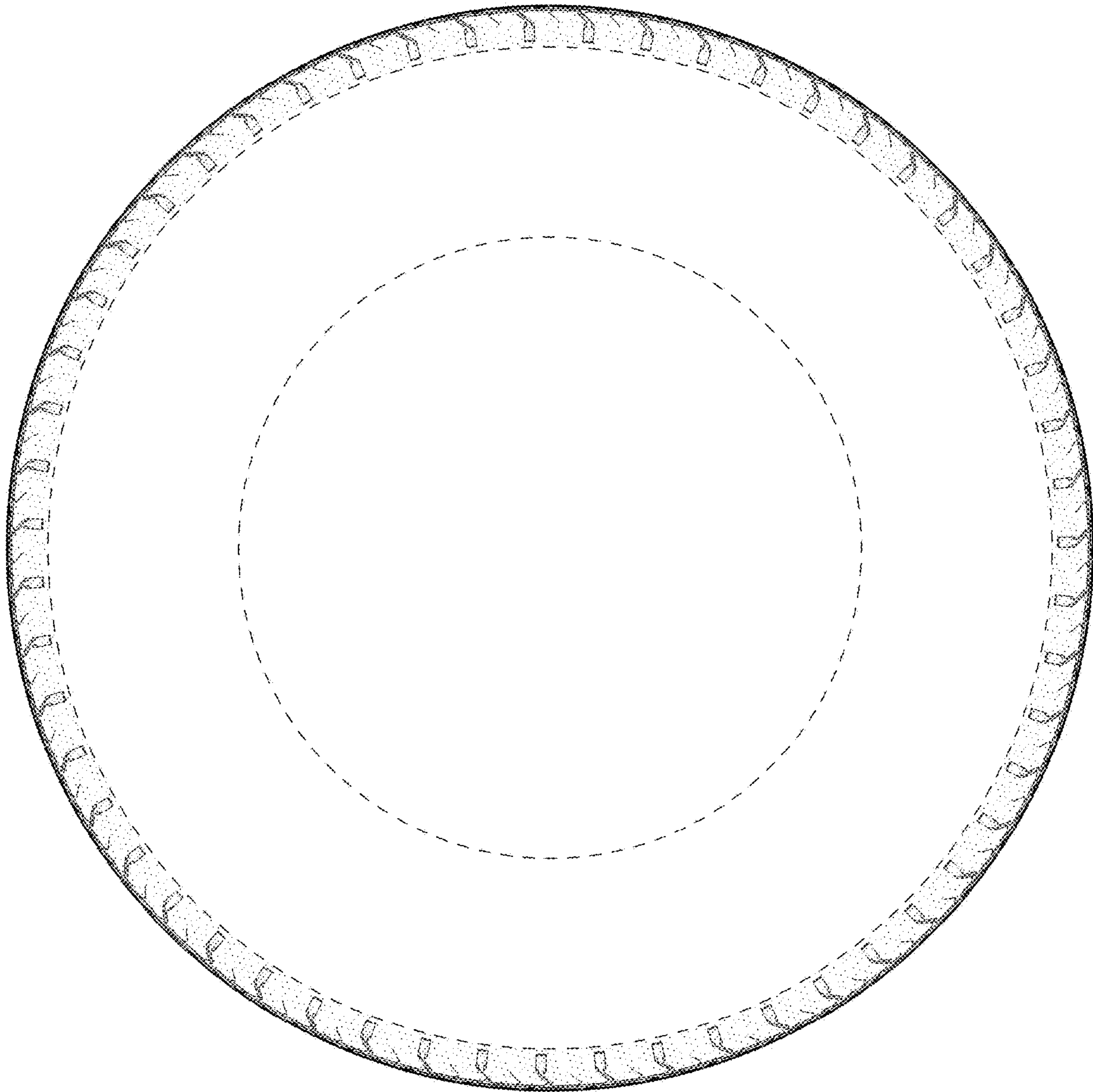


FIG - 3

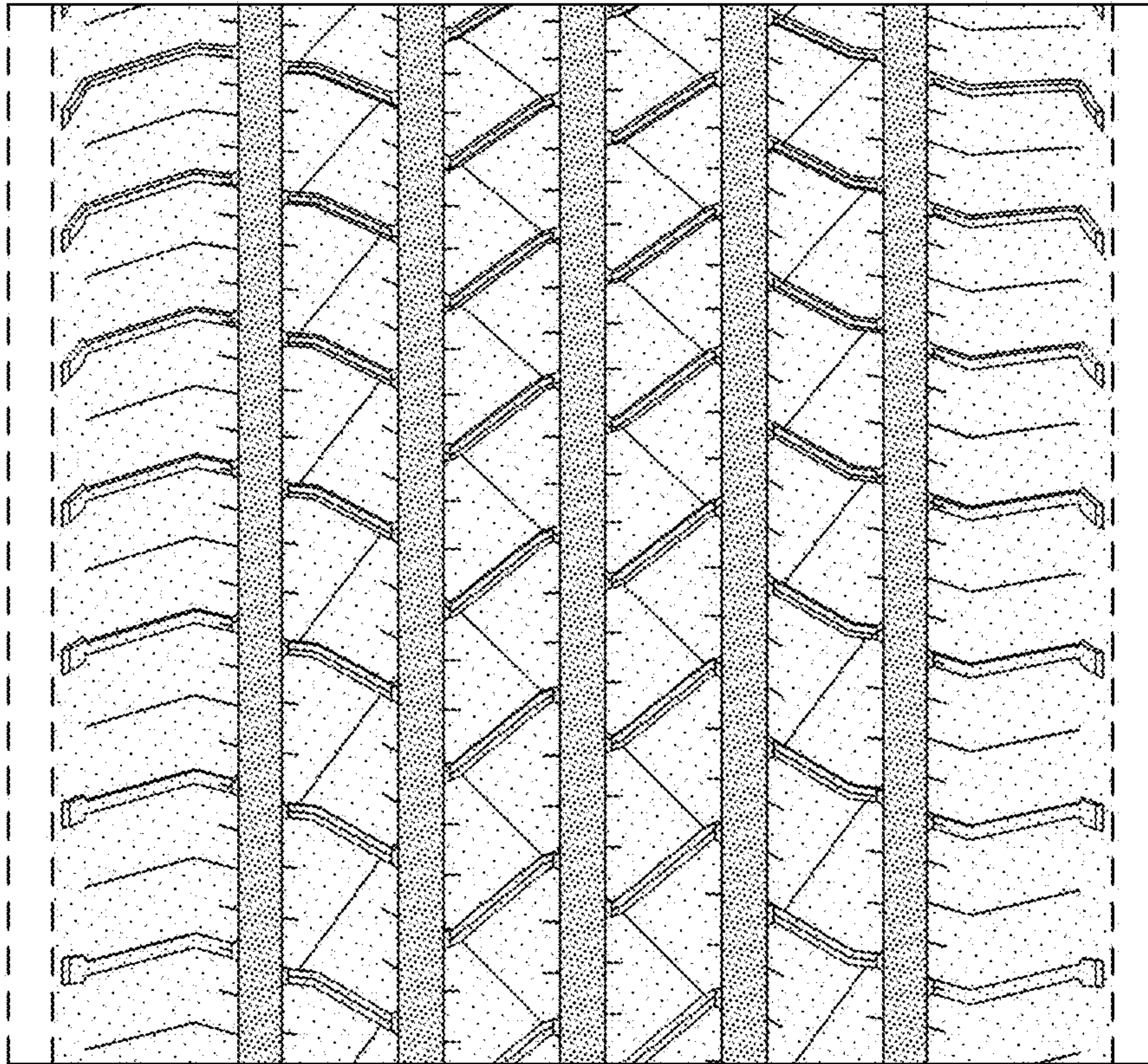


FIG - 4

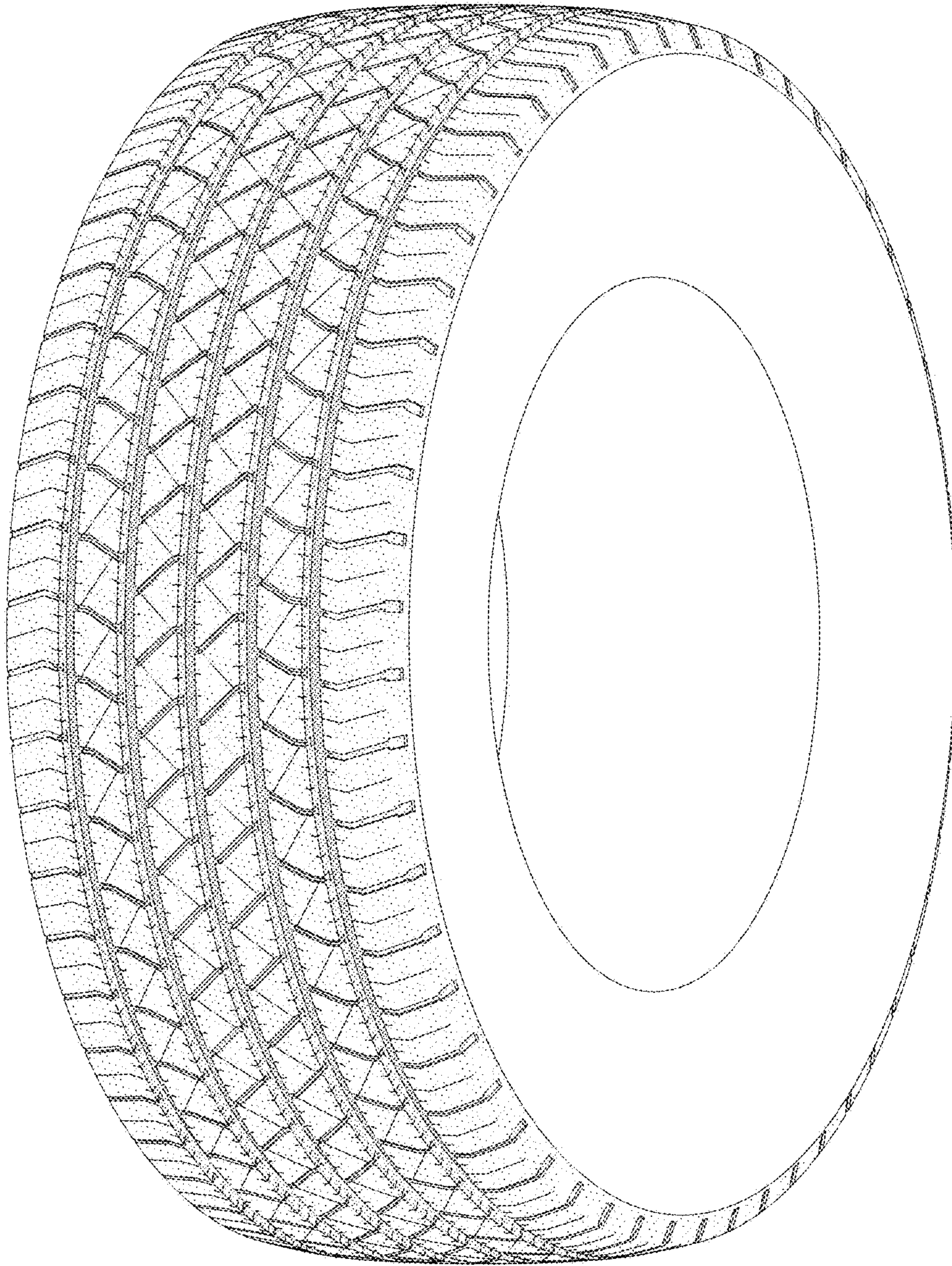


FIG - 5

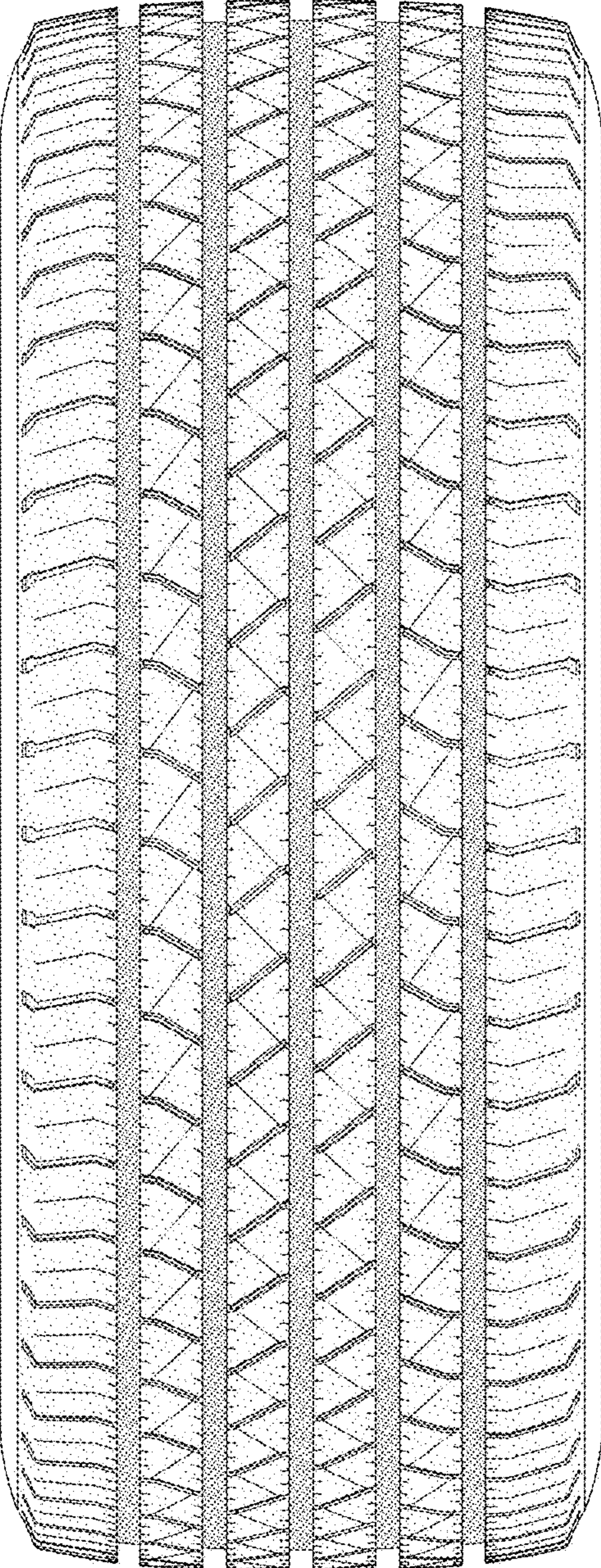


FIG - 6