



US00D935978S

(12) **United States Design Patent** (10) **Patent No.:** **US D935,978 S**
Hansson et al. (45) **Date of Patent:** **** Nov. 16, 2021**

(54) **AIRCRAFT WINGLET LIGHT ASSEMBLY**

(71) Applicant: **B/E Aerospace, Inc.**, Winston-Salem, NC (US)

(72) Inventors: **Charles M. Hansson**, Winston-Salem, NC (US); **Fernando J. Rentas**, Winston-Salem, NC (US); **John D. Edquist**, Milwaukee, WI (US); **Glenn A. Johnson**, Rural Hall, NC (US)

(73) Assignee: **B/E Aerospace, Inc.**, Winston-Salem, NC (US)

(**) Term: **15 Years**

(21) Appl. No.: **29/690,777**

(22) Filed: **May 10, 2019**

(51) **LOC (13) Cl.** **12-07**

(52) **U.S. Cl.**
USPC **D12/319**

(58) **Field of Classification Search**
USPC D26/28-36, 139; D12/319, 345
(Continued)

(56) **References Cited**

U.S. PATENT DOCUMENTS

D453,014 S * 1/2002 Fraser D12/319
D494,530 S * 8/2004 Fraser D12/319
(Continued)

Primary Examiner — Marcus A Jackson

(74) *Attorney, Agent, or Firm* — Suiter Swantz pc llo

(57) **CLAIM**

The ornamental design for an aircraft winglet light assembly, as shown and described.

DESCRIPTION

FIG. 1 is a perspective view of an aircraft winglet light assembly;

FIG. 2 is a perspective view of the aircraft winglet light assembly of FIG. 1;

FIG. 3 is a top plan view of the aircraft winglet light assembly of FIG. 1;

FIG. 4 is a front elevation view of the aircraft winglet light assembly of FIG. 1;

FIG. 5 is a left side elevation view of the aircraft winglet light assembly of FIG. 1;

FIG. 6 is a rear elevation view of the aircraft winglet light assembly of FIG. 1;

FIG. 7 is a right side elevation view of the aircraft winglet light assembly of FIG. 1;

FIG. 8 is a bottom plan view of the aircraft winglet light assembly of FIG. 1;

FIG. 9 is a perspective view of an aircraft winglet light assembly;

FIG. 10 is a perspective view of the aircraft winglet light assembly of FIG. 9;

FIG. 11 is a top plan view of the aircraft winglet light assembly of FIG. 9;

FIG. 12 is a front elevation view of the aircraft winglet light assembly of FIG. 9;

FIG. 13 is a left side elevation view of the aircraft winglet light assembly of FIG. 9;

FIG. 14 is a rear elevation view of the aircraft winglet light assembly of FIG. 9;

FIG. 15 is a right side elevation view of the aircraft winglet light assembly of FIG. 9;

FIG. 16 is a bottom plan view of the aircraft winglet light assembly of FIG. 9;

FIG. 17 is a perspective view of an aircraft winglet light assembly;

FIG. 18 is a perspective view of the aircraft winglet light assembly of FIG. 17;

FIG. 19 is a top plan view of the aircraft winglet light assembly of FIG. 17;

FIG. 20 is a front elevation view of the aircraft winglet light assembly of FIG. 17;

FIG. 21 is a left side elevation view of the aircraft winglet light assembly of FIG. 17;

FIG. 22 is a rear elevation view of the aircraft winglet light assembly of FIG. 17;

FIG. 23 is a right side elevation view of the aircraft winglet light assembly of FIG. 17;

(Continued)

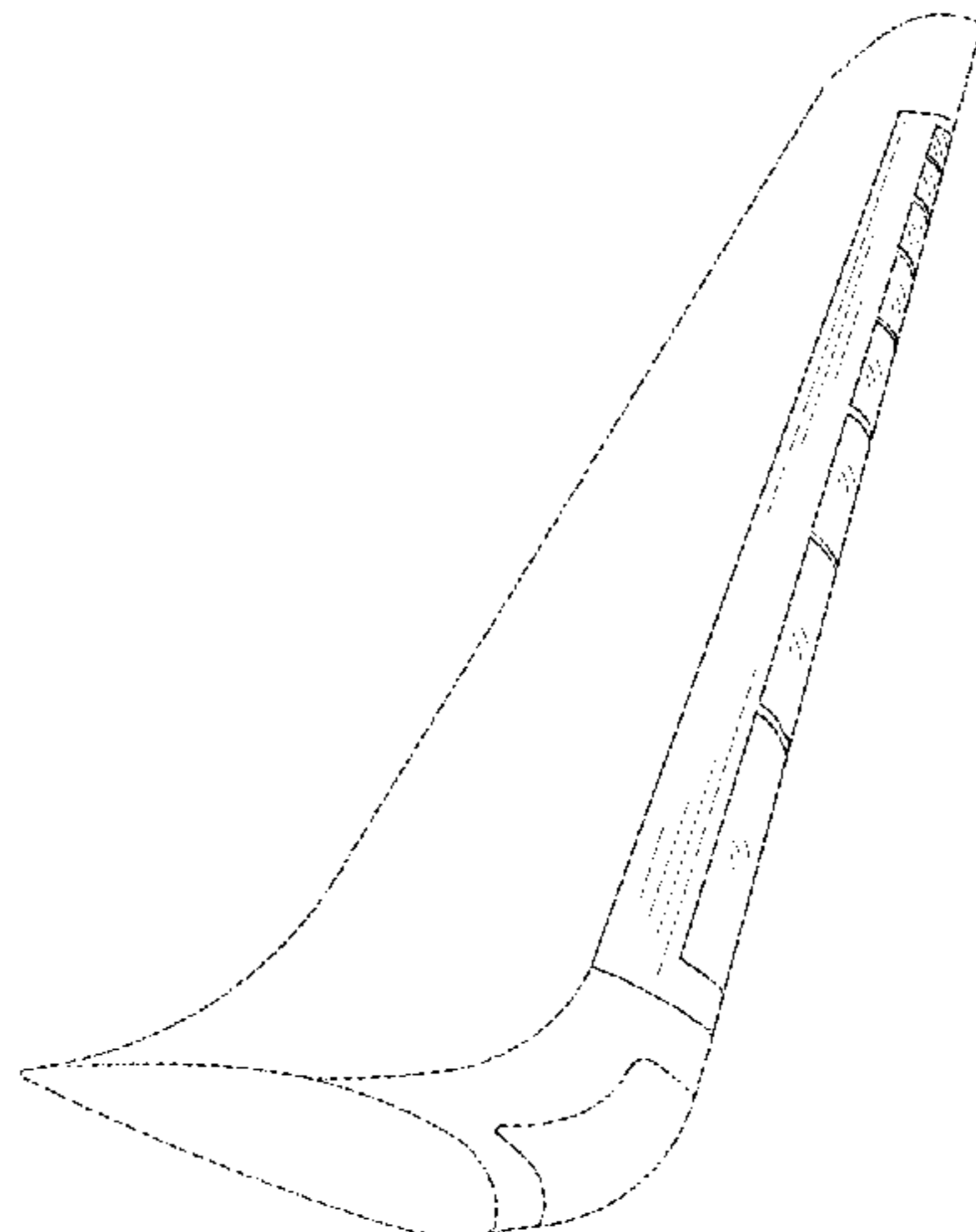


FIG. 24 is a bottom plan view of the aircraft winglet light assembly of FIG. 17;

Portions of FIGS. 1 through 24 are shown in broken lines illustrating portions of the article of manufacture that form no part of the claimed design.

1 Claim, 24 Drawing Sheets

(58) **Field of Classification Search**

CPC F21S 48/00; F21S 48/10; F21S 48/115;
F21S 48/225; F21S 48/1233; F21S
48/1266; F21S 48/1388; F21S 48/2268;
F21V 21/04; F21V 29/004; B60Q 9/13;
B60Q 9/135; B60Q 9/1375

See application file for complete search history.

(56) **References Cited**

U.S. PATENT DOCUMENTS

D494,531 S * 8/2004 Fraser D12/319
D499,687 S * 12/2004 Fraser D12/319
D517,467 S * 3/2006 Vigneron D12/319

* cited by examiner

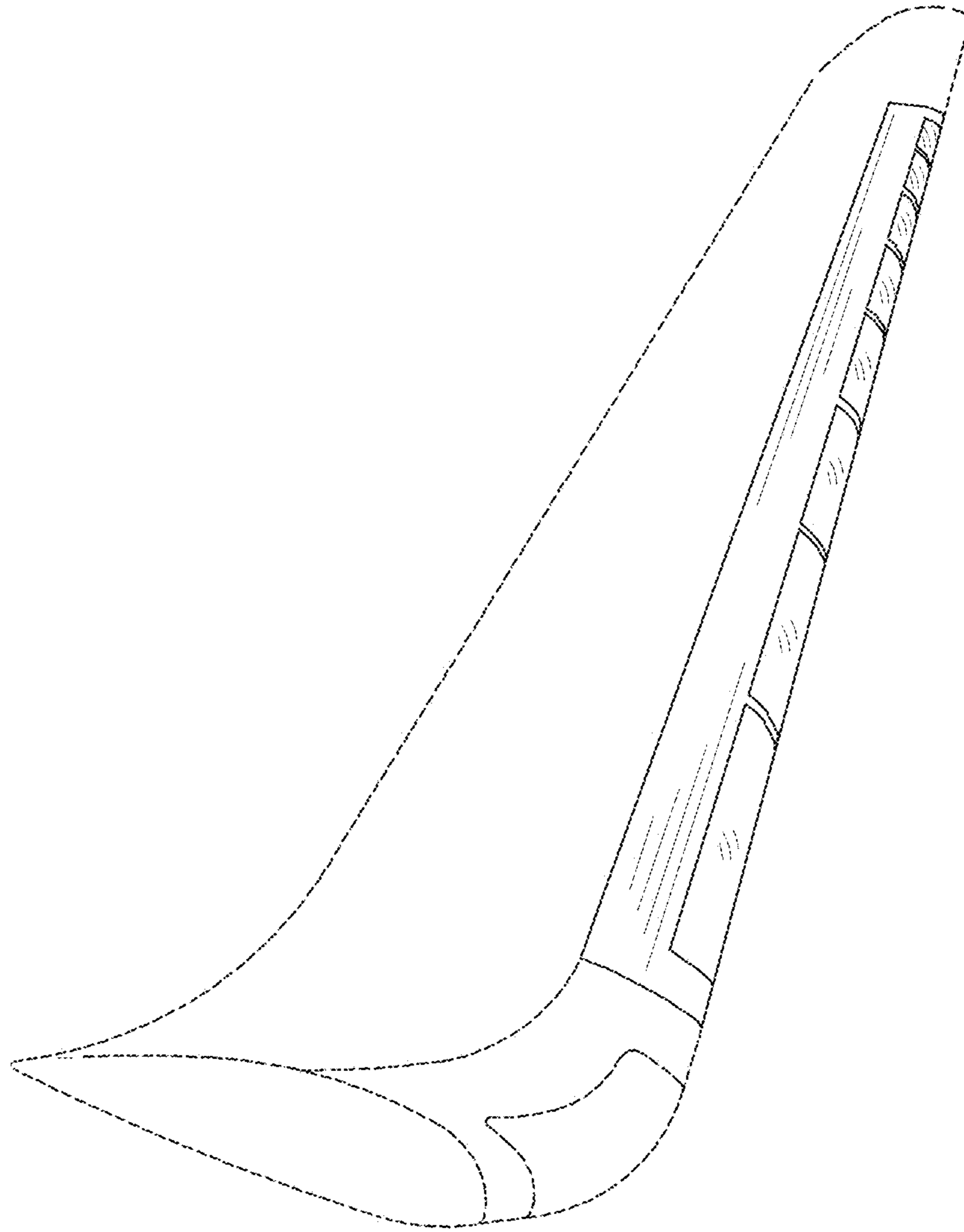


FIG. 1

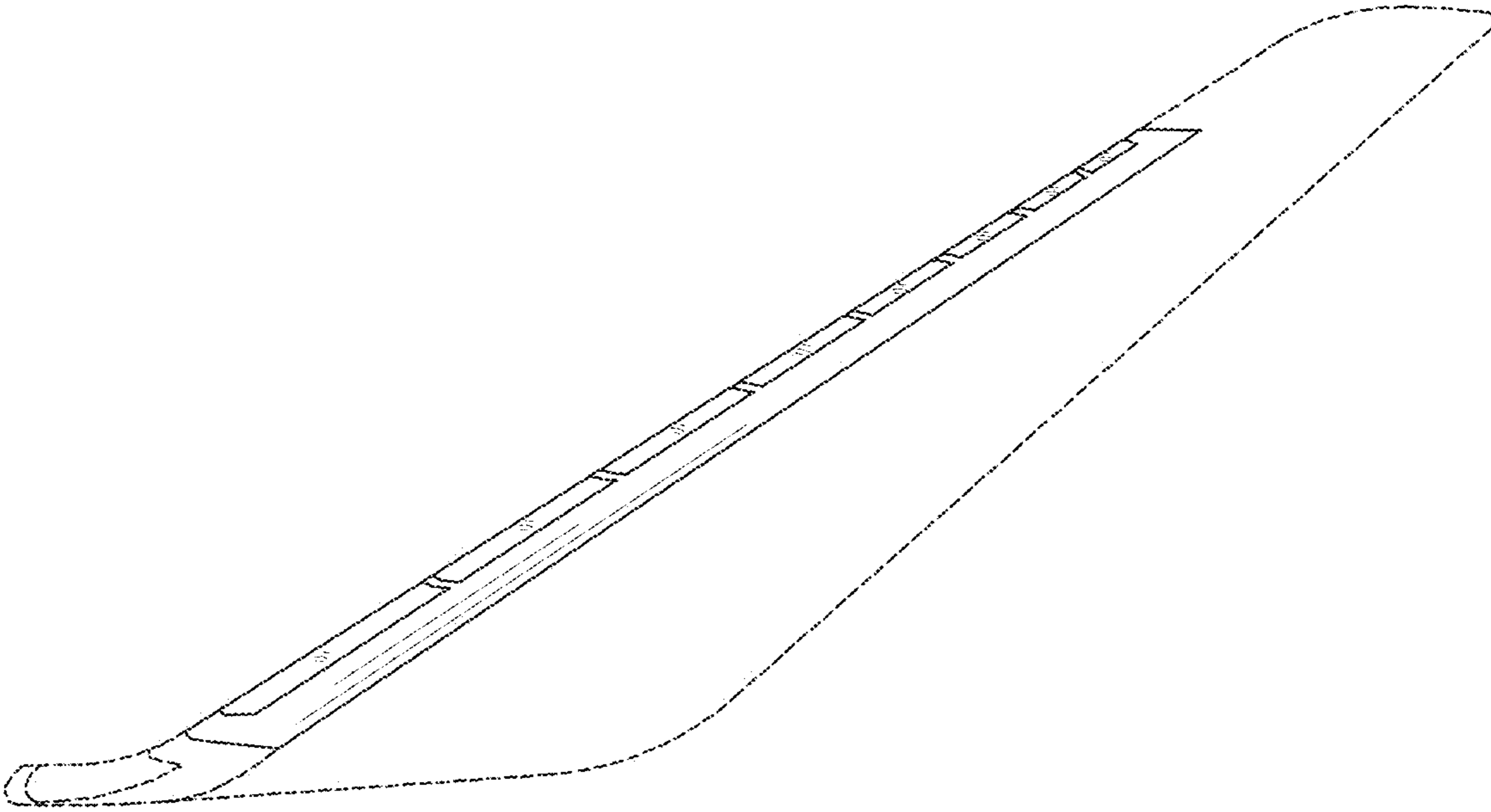


FIG. 2

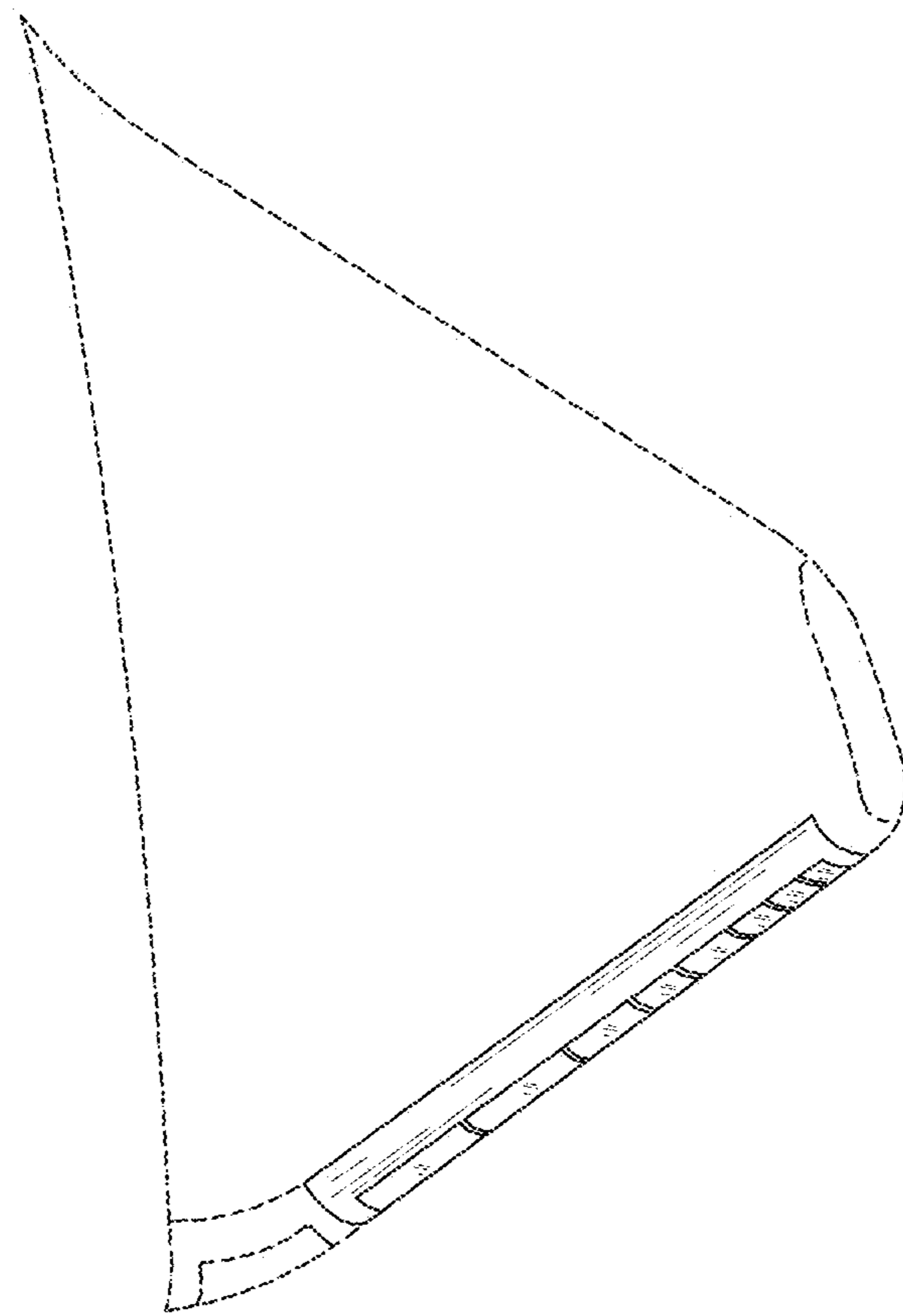


FIG. 3

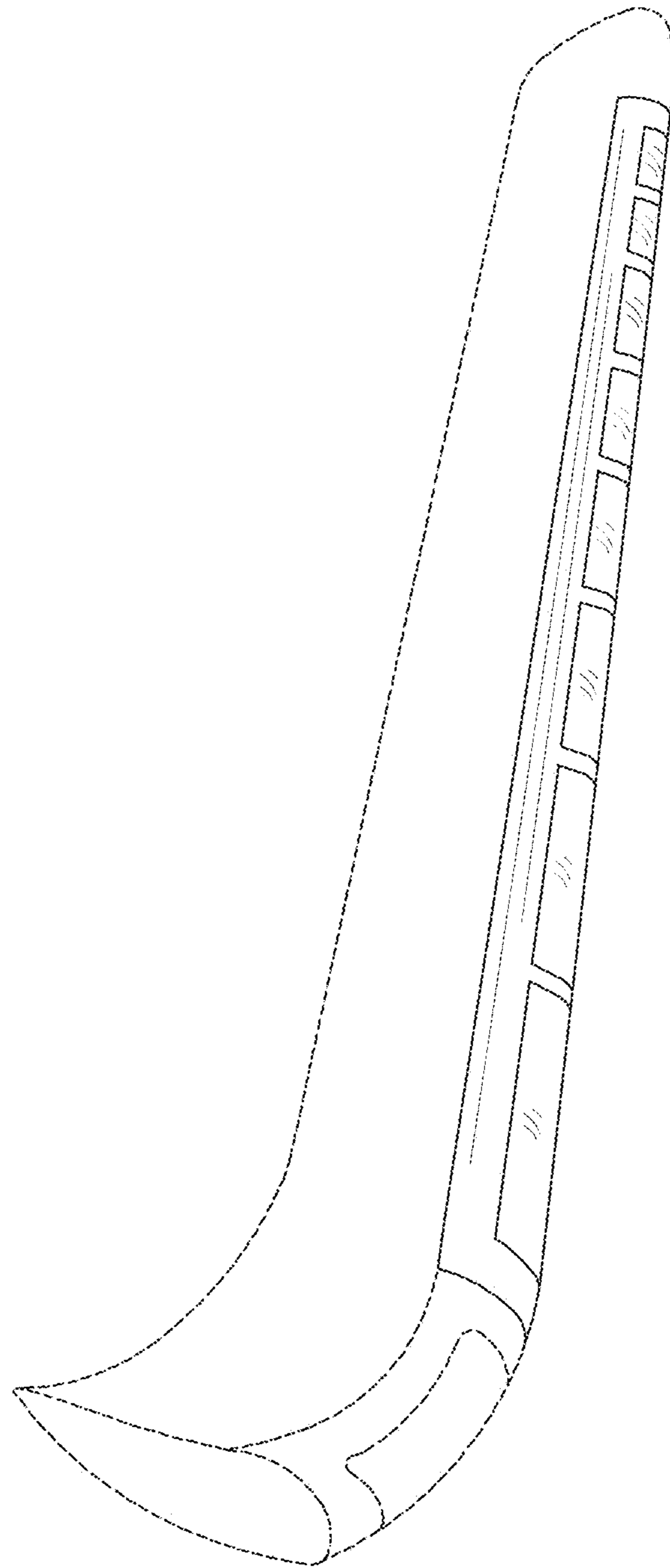


FIG. 4

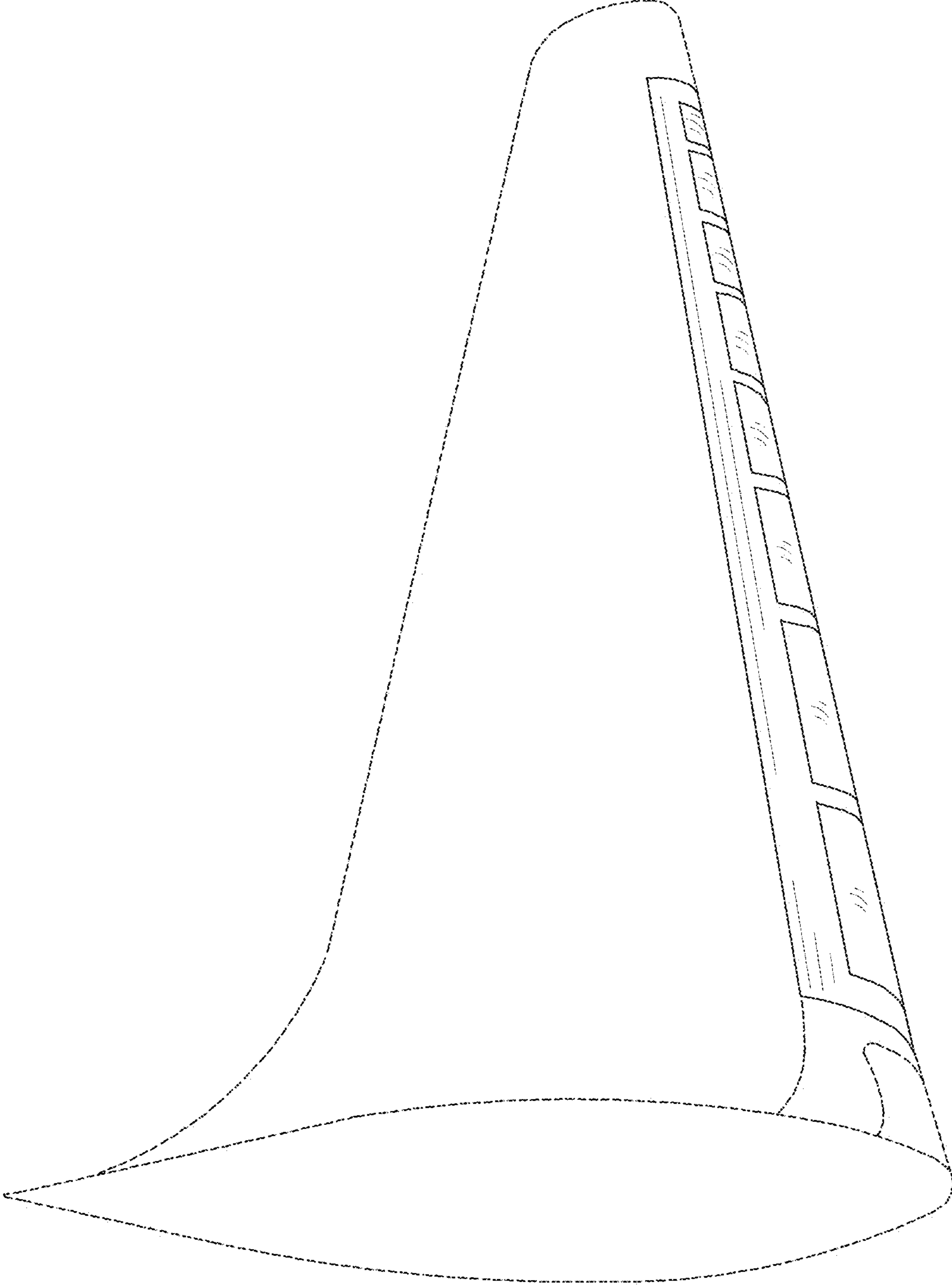


FIG. 5

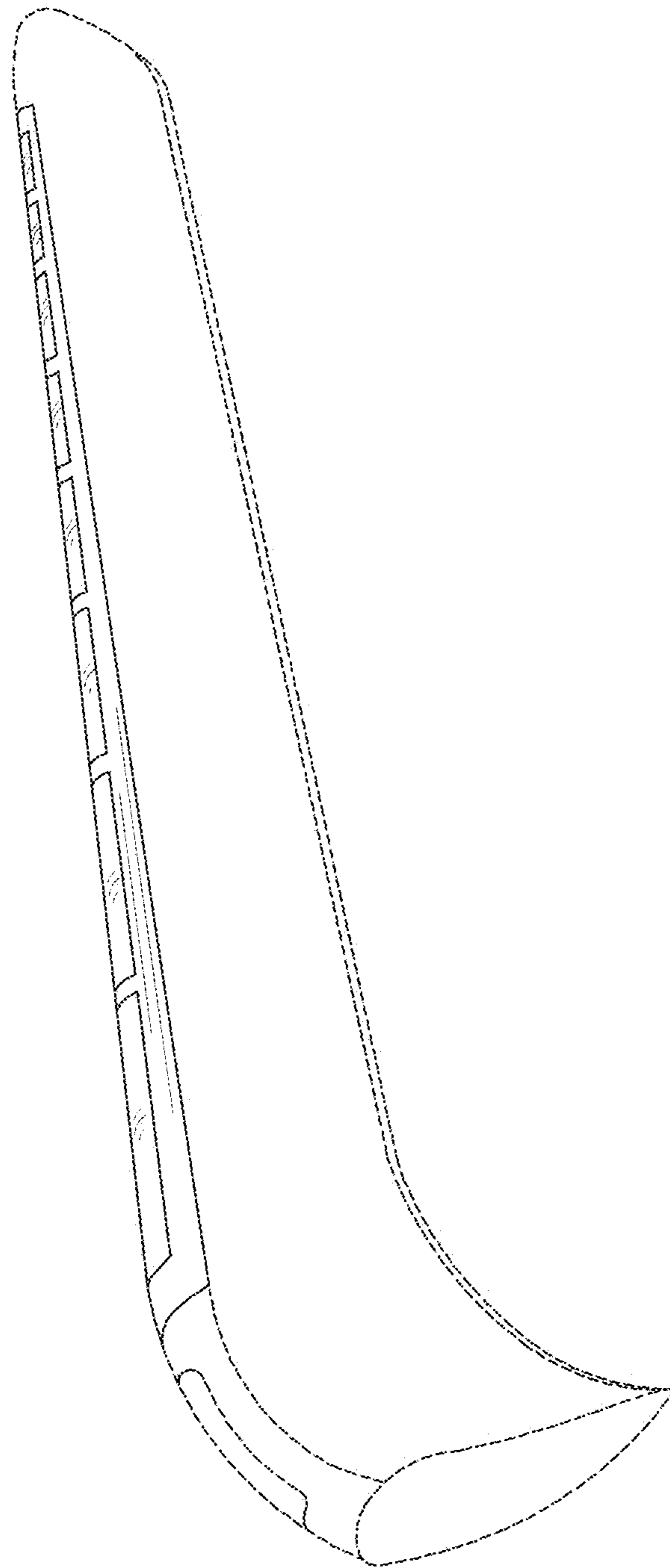


FIG. 6

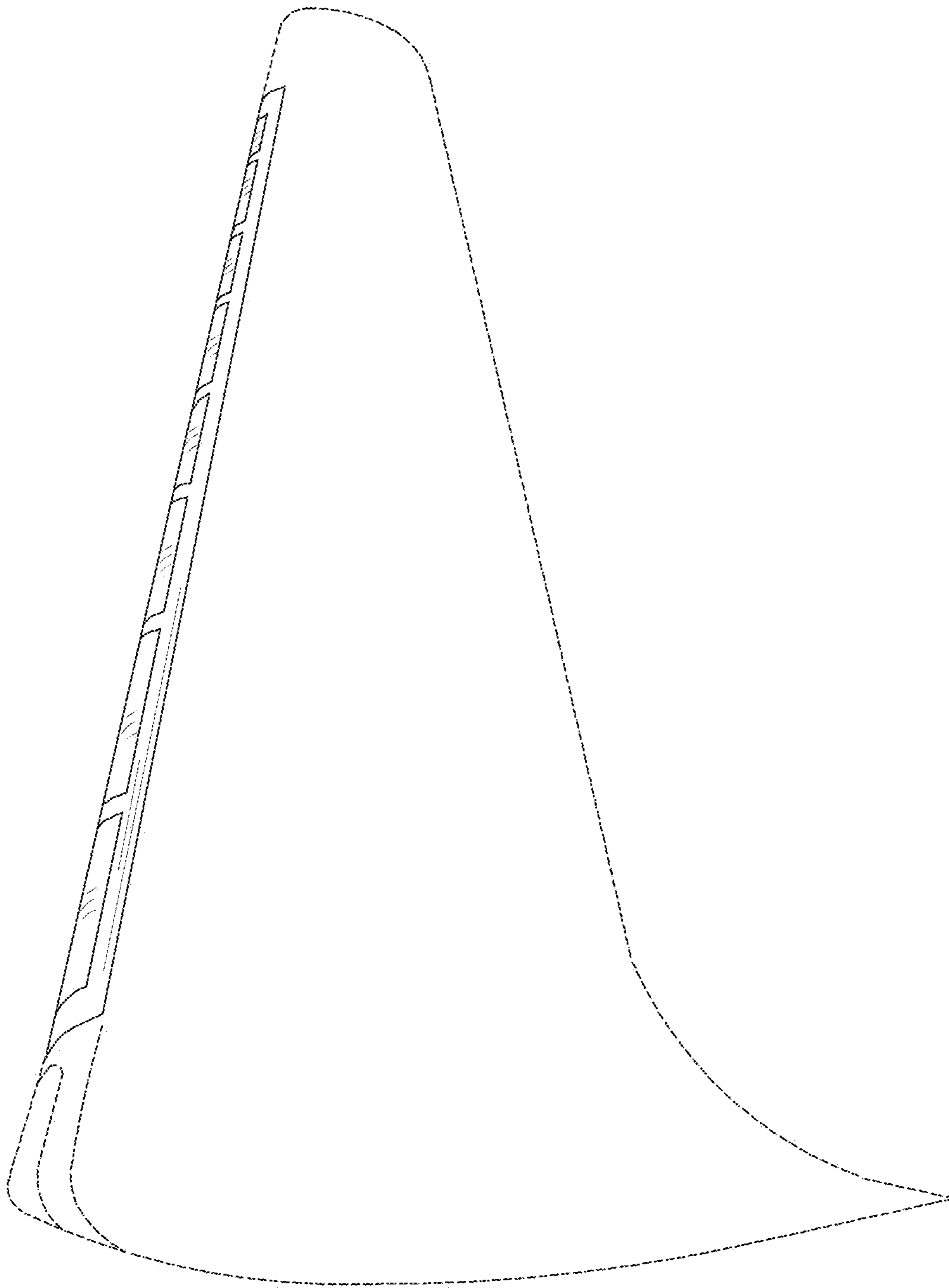


FIG. 7

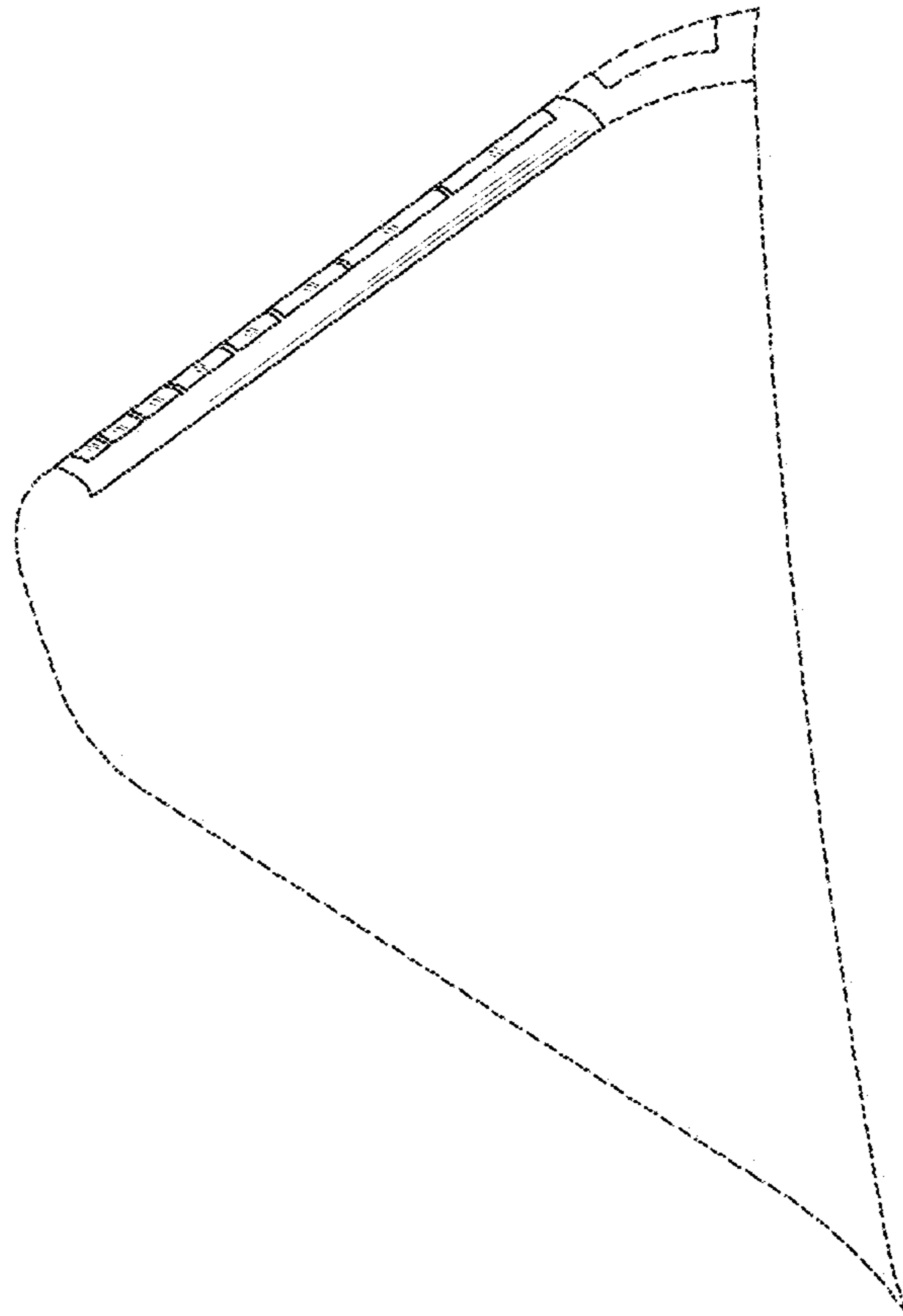


FIG. 8

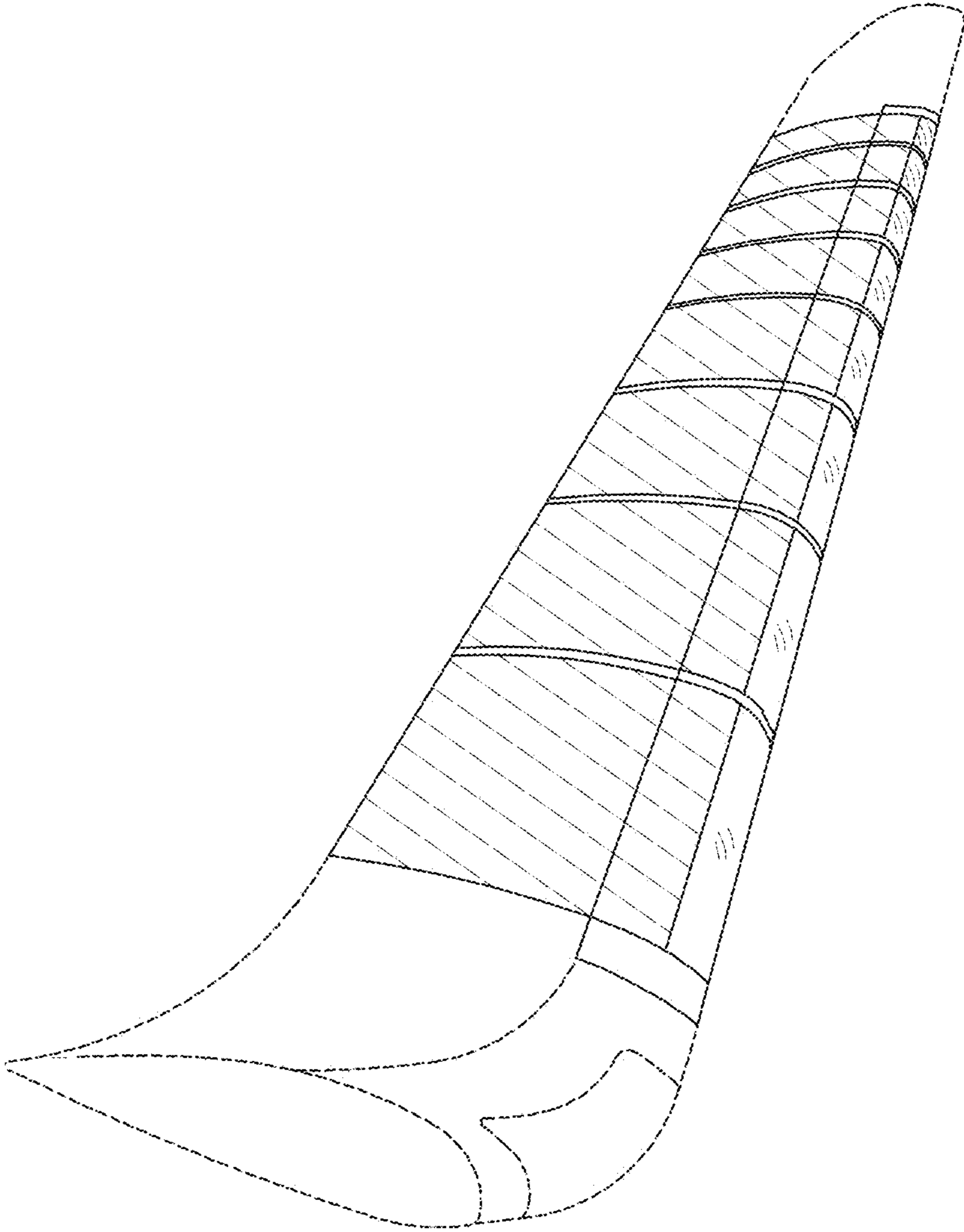


FIG. 9

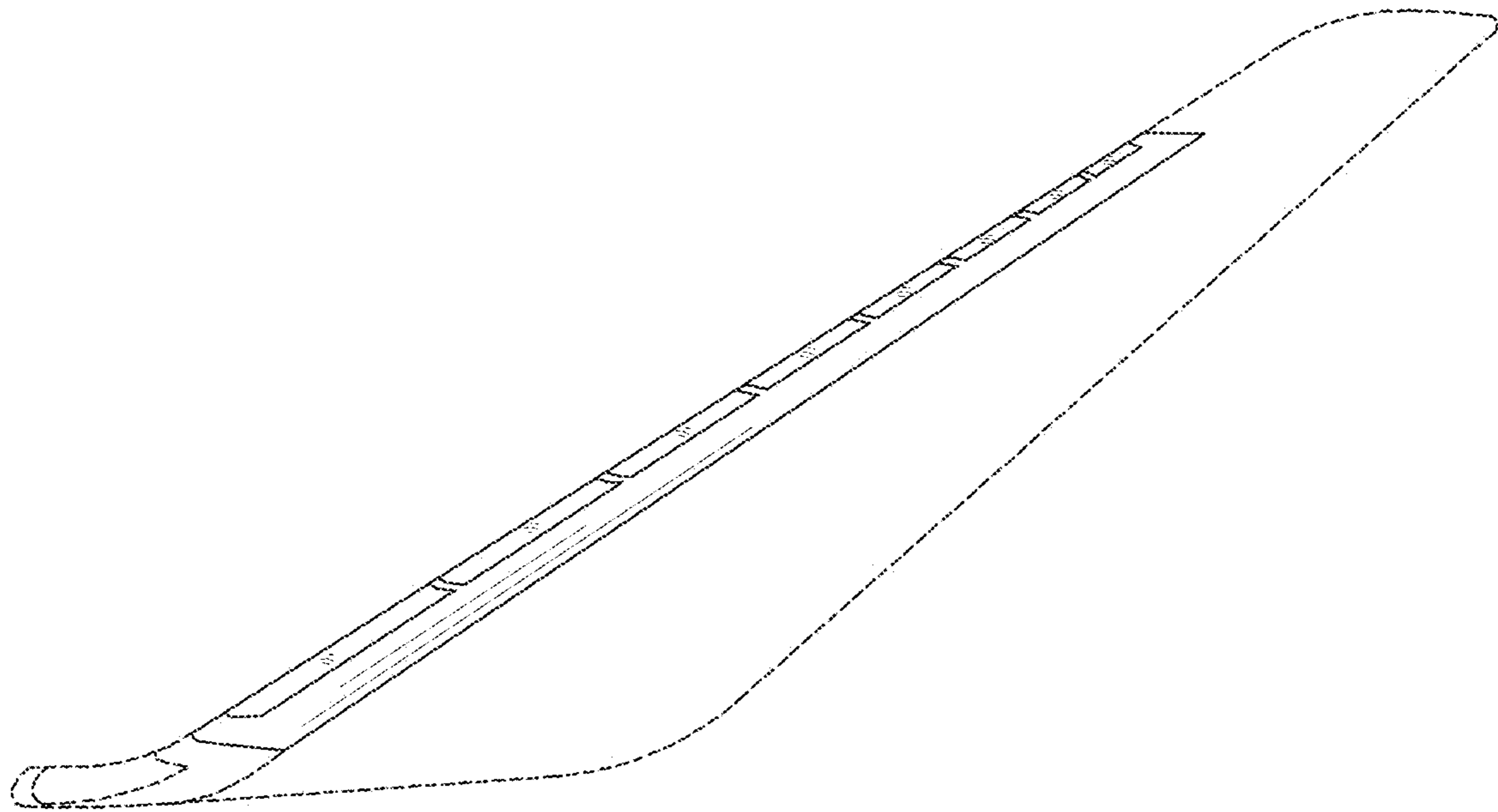


FIG. 10

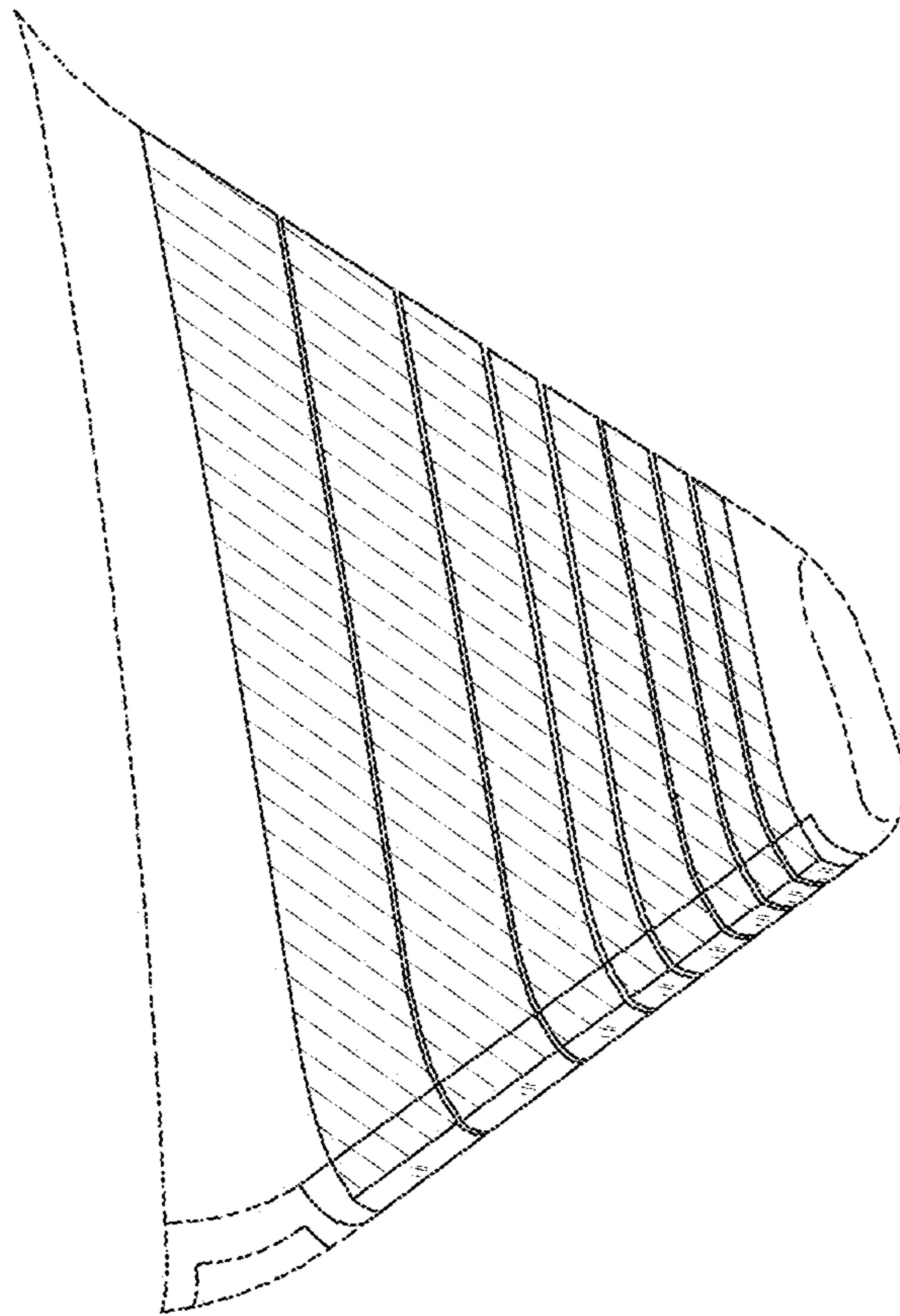


FIG. 11

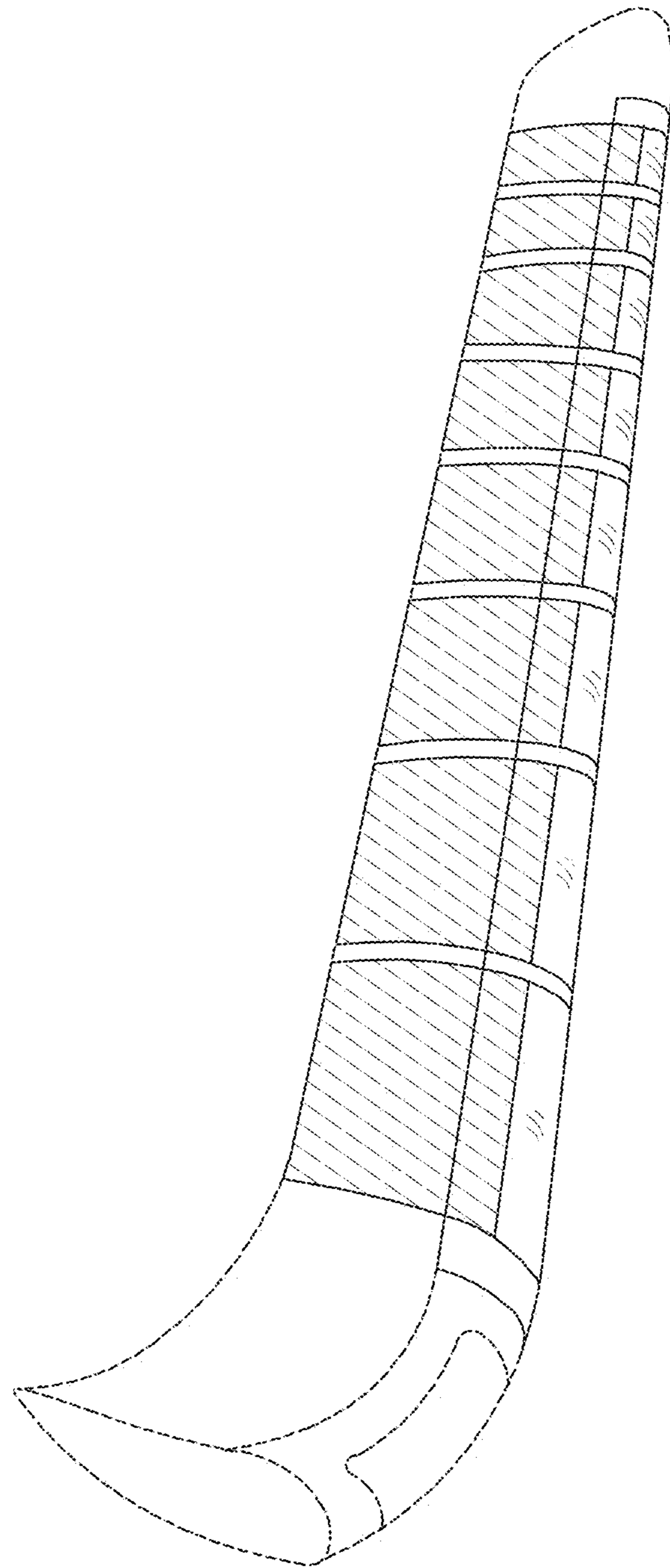


FIG. 12

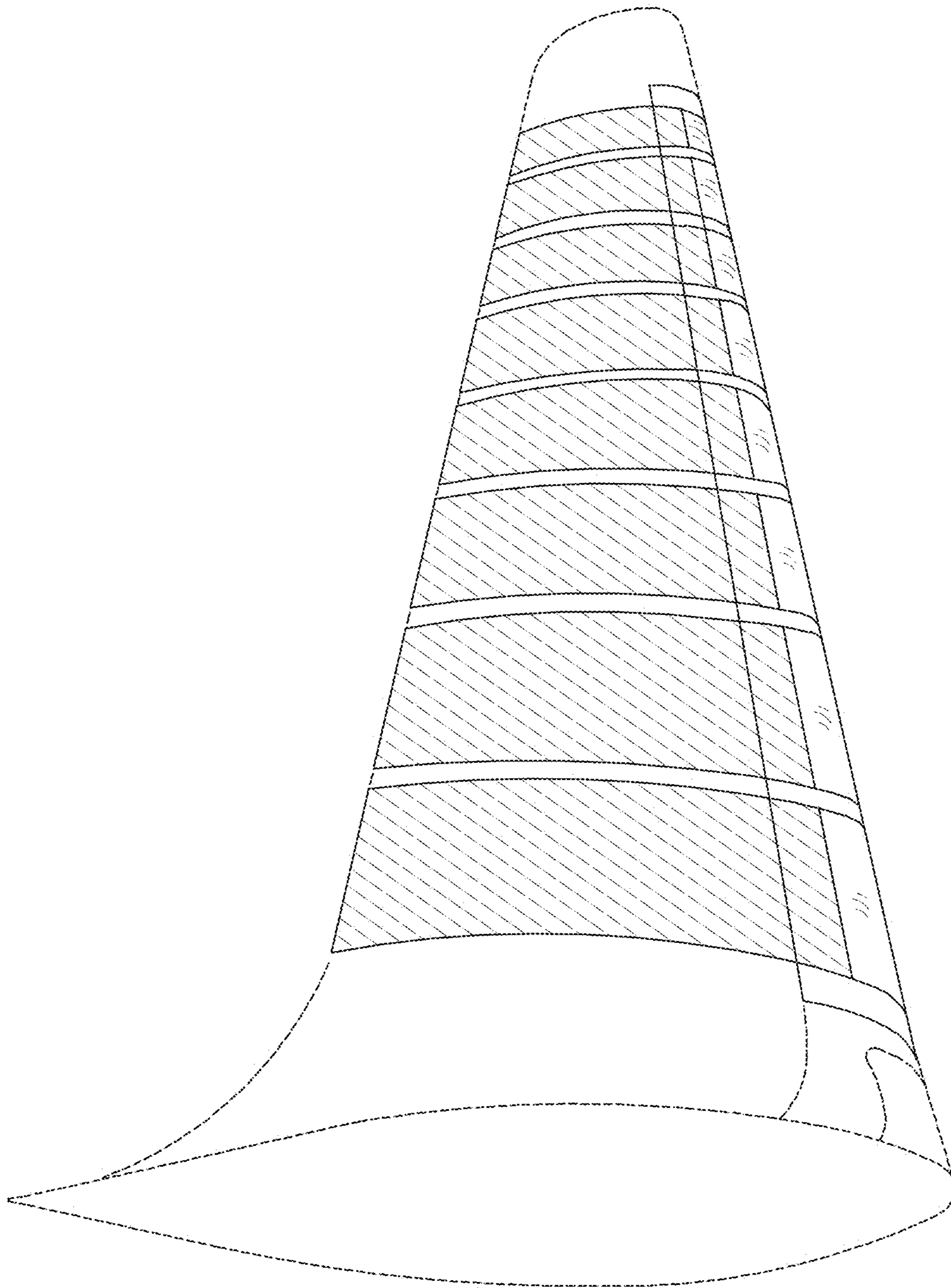


FIG. 13

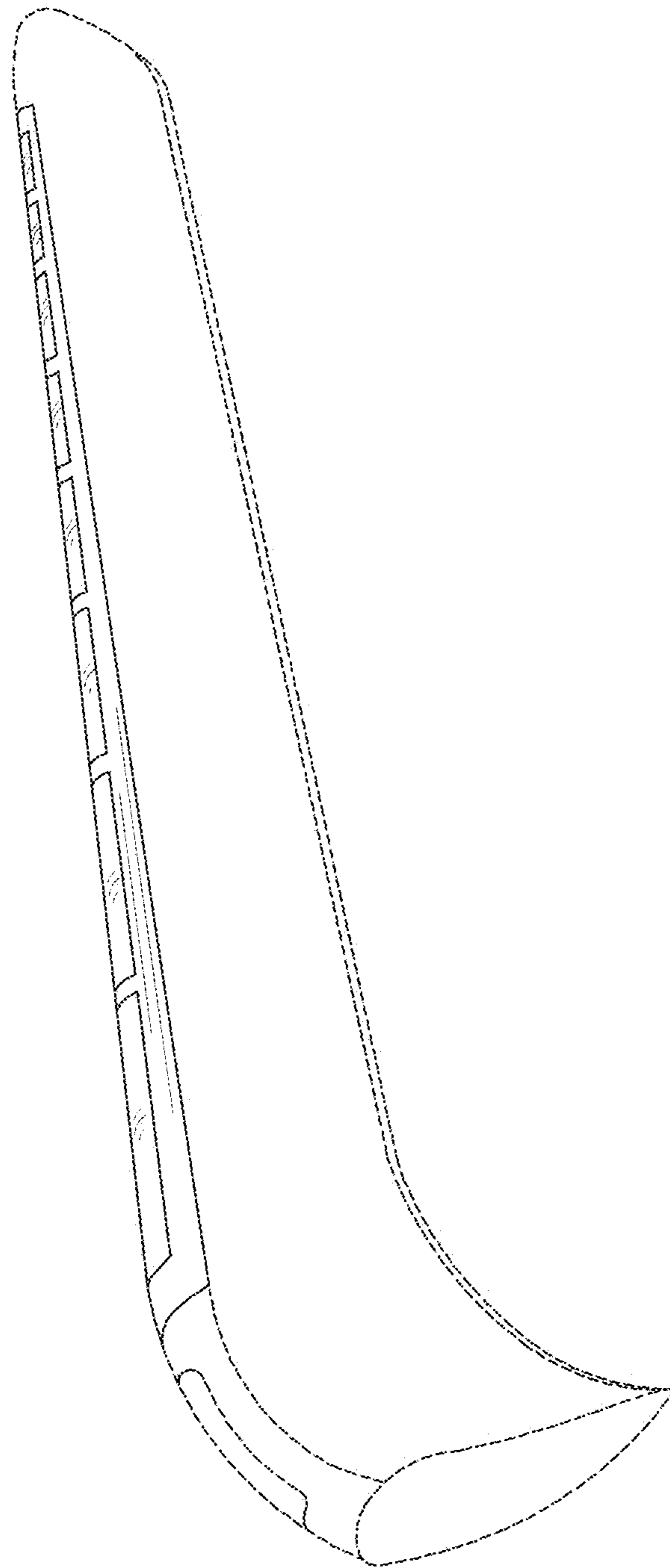


FIG. 14

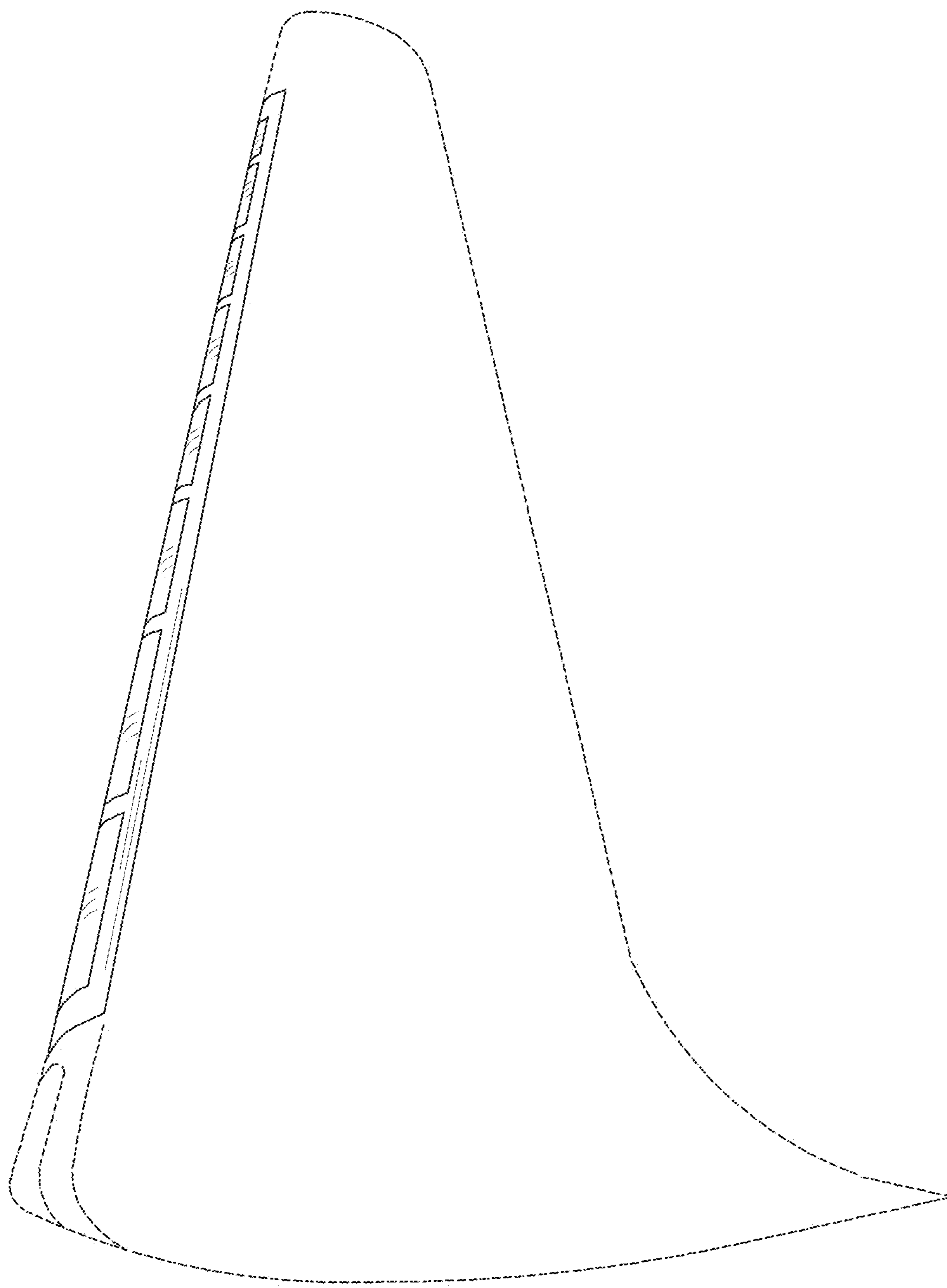


FIG. 15

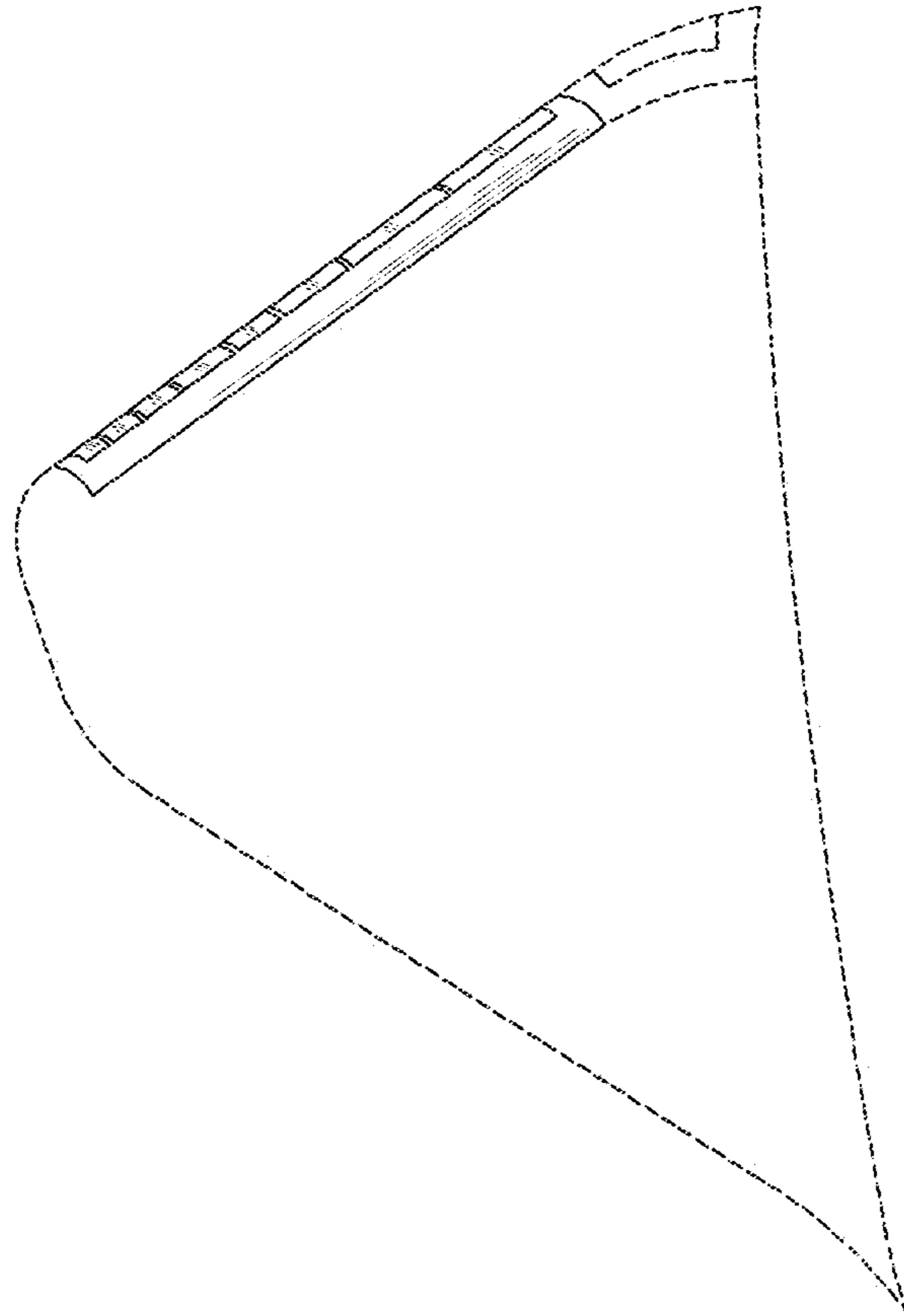


FIG. 16

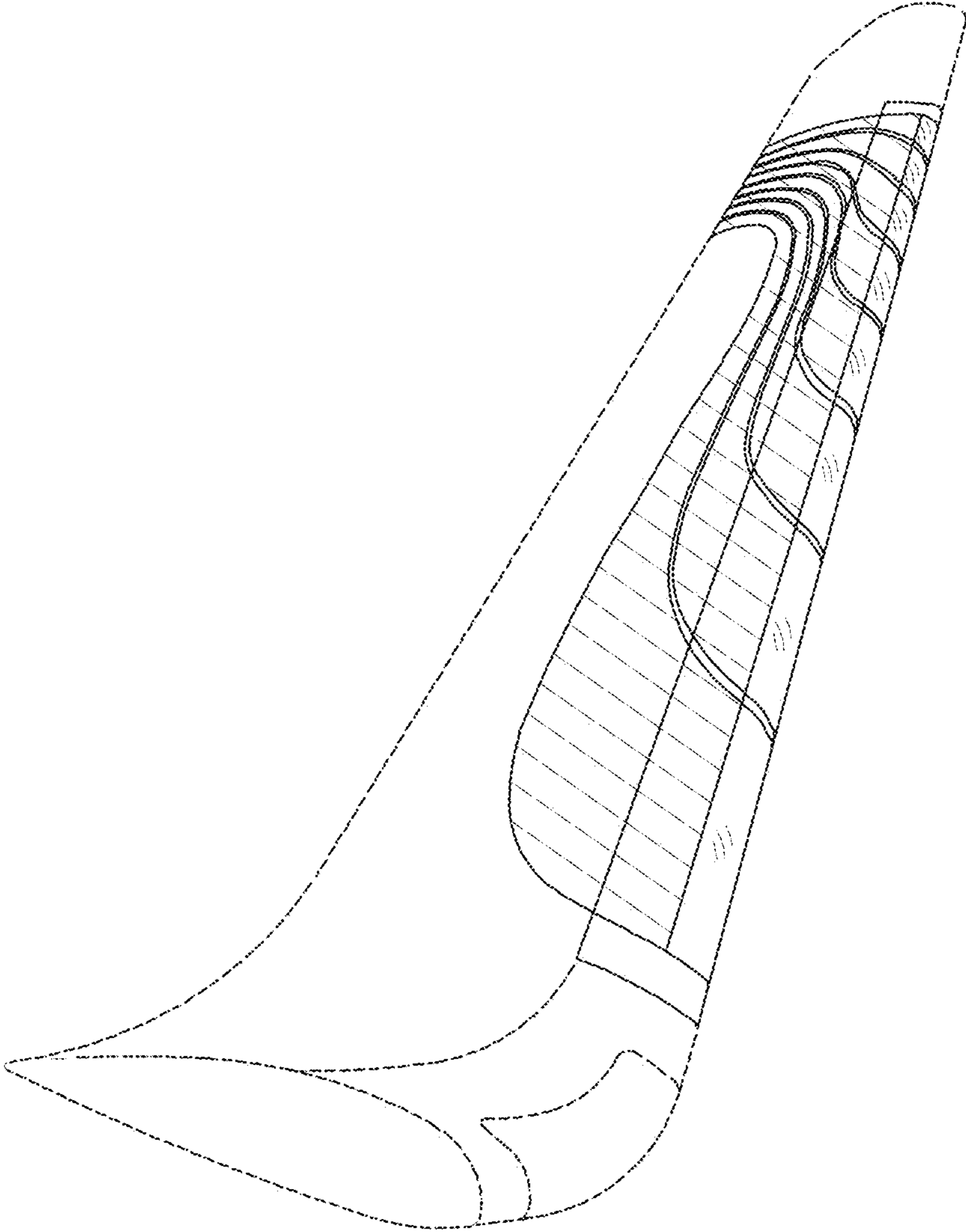


FIG. 17

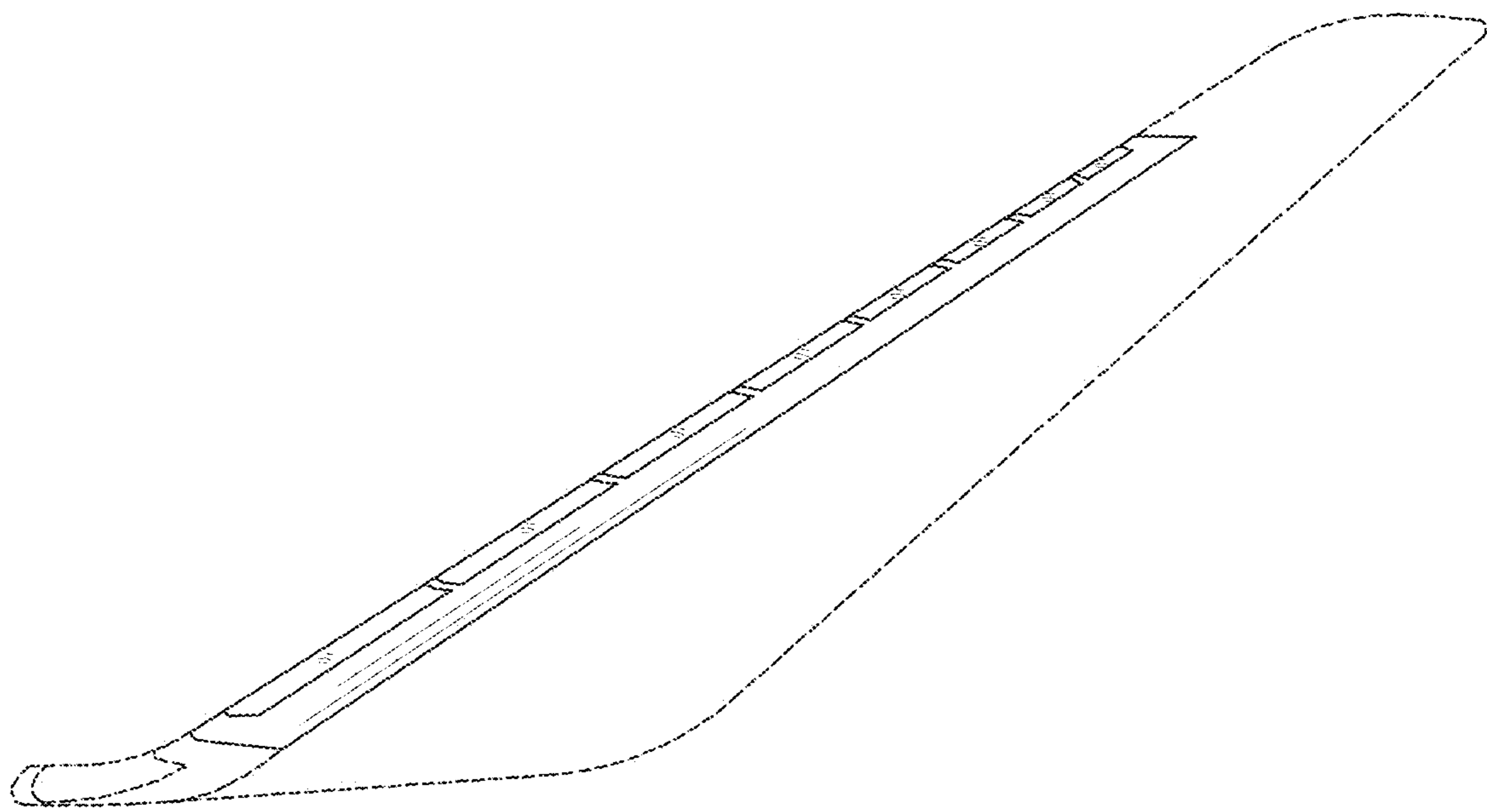


FIG. 18

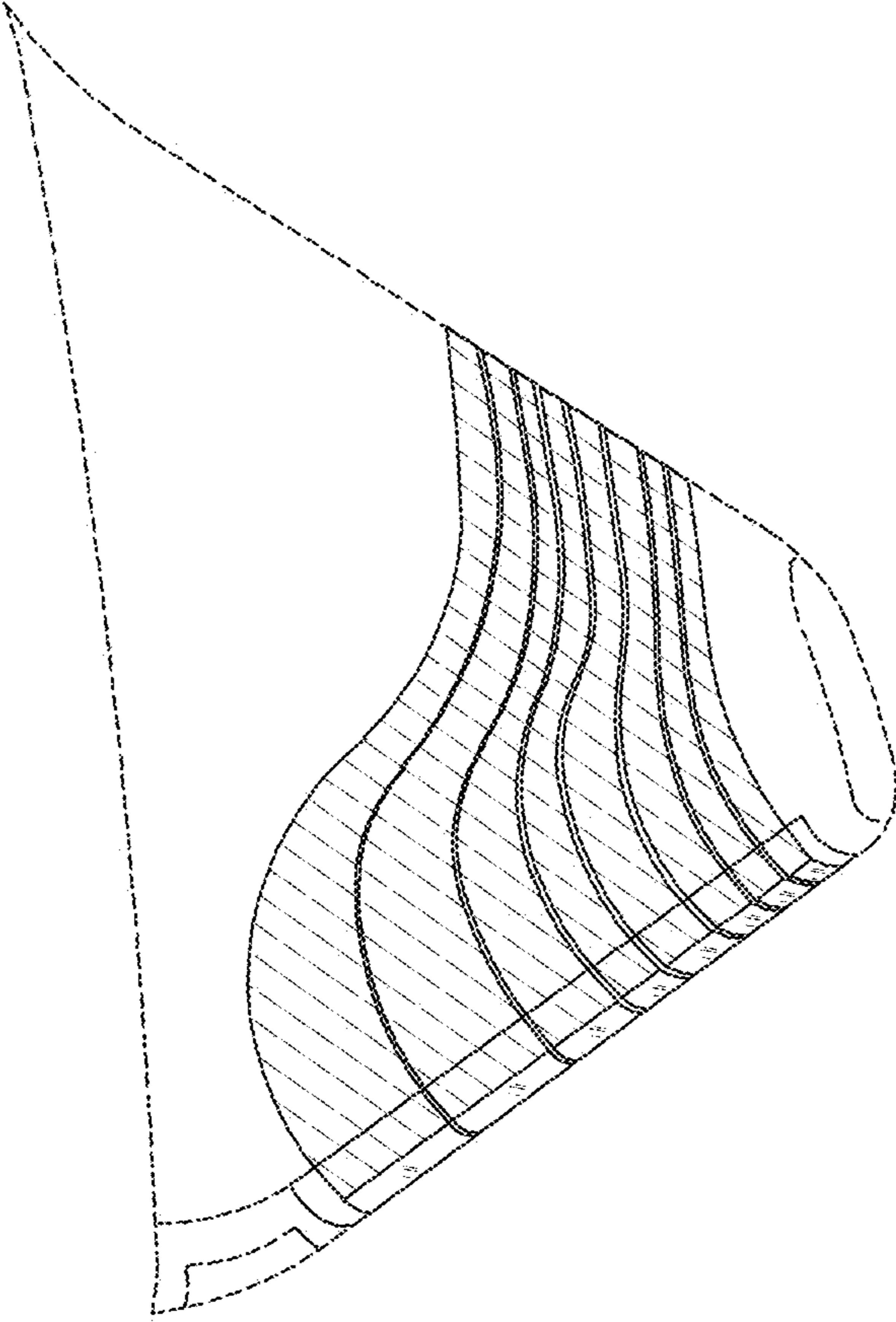


FIG. 19

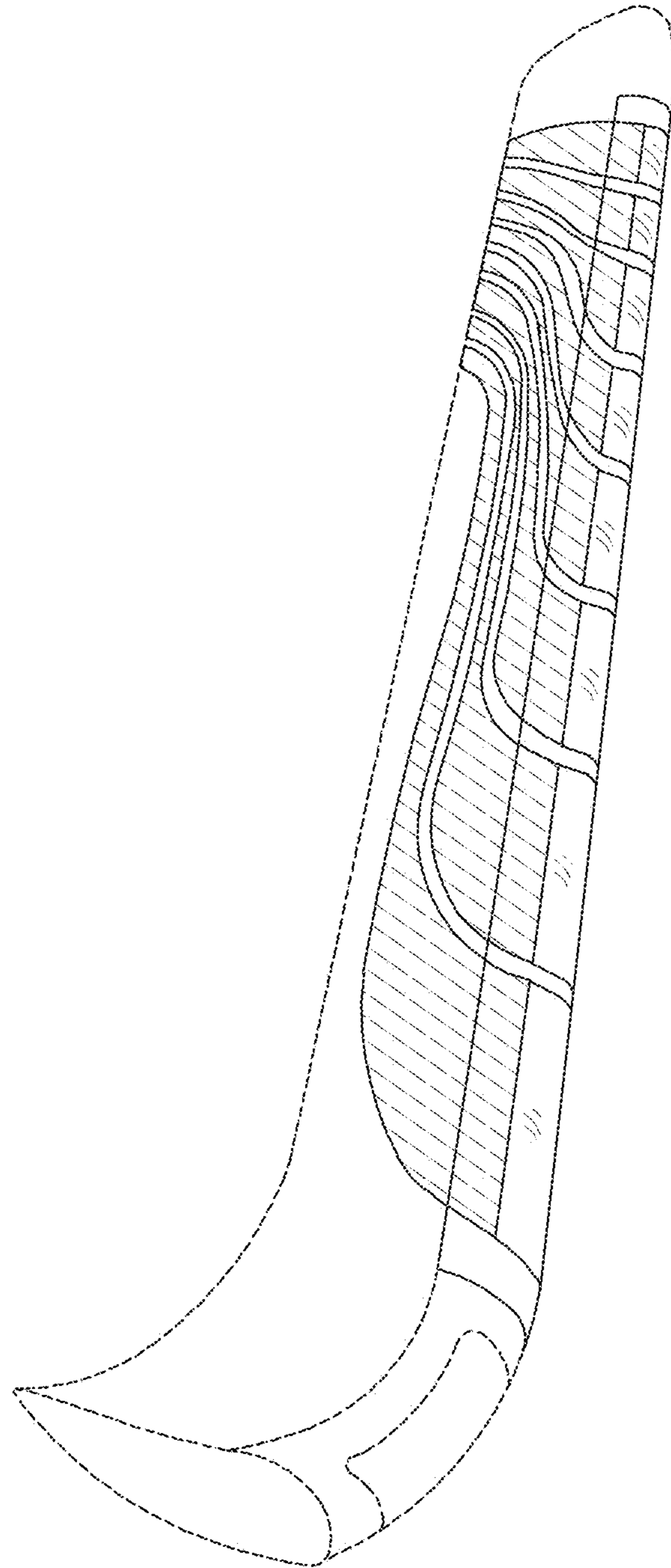


FIG. 20

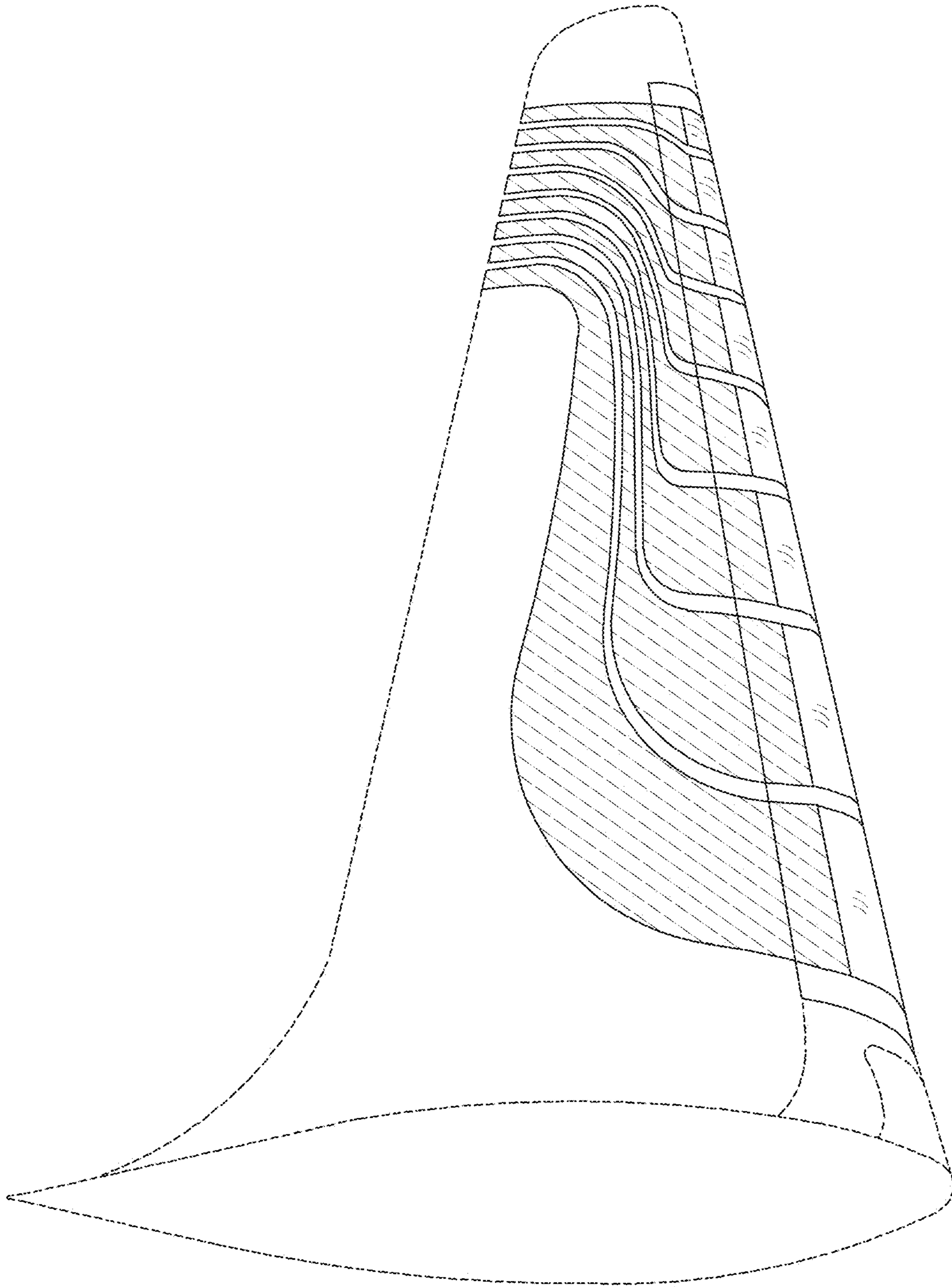


FIG. 21

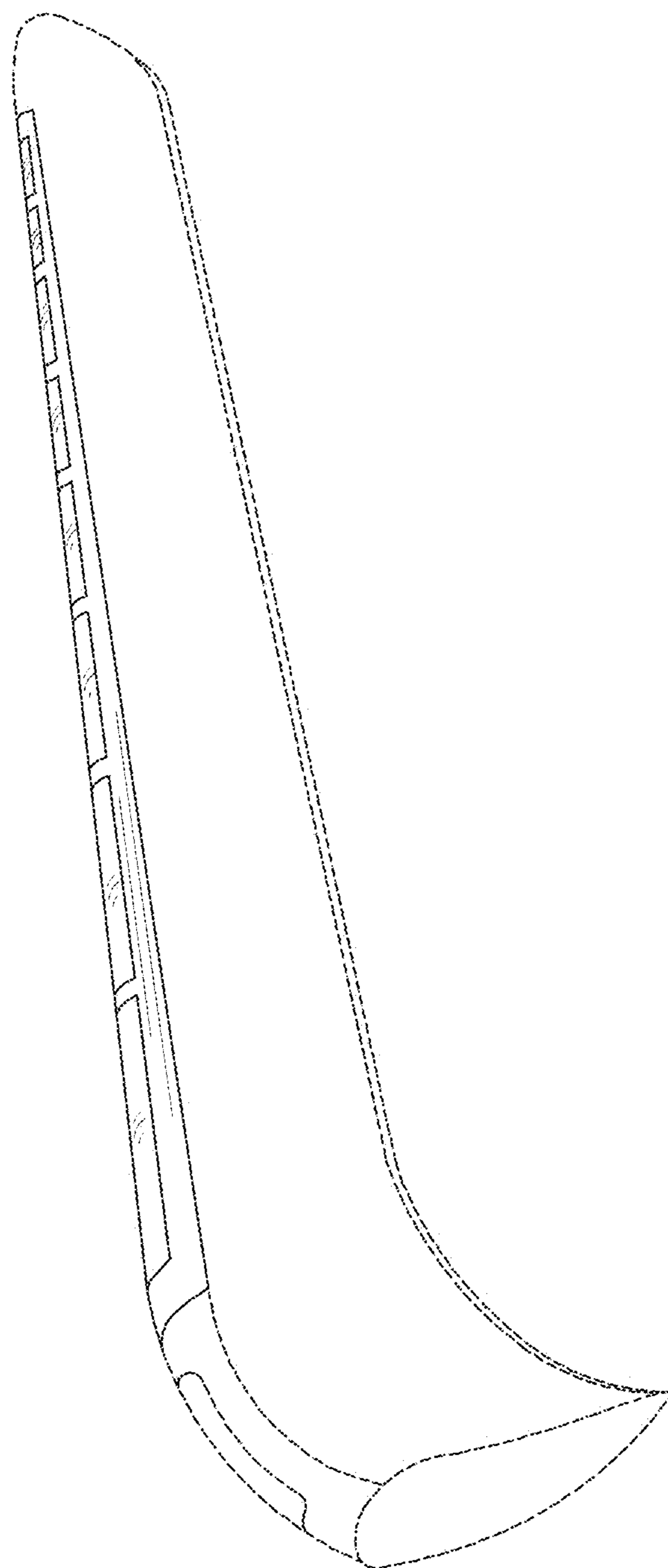


FIG. 22

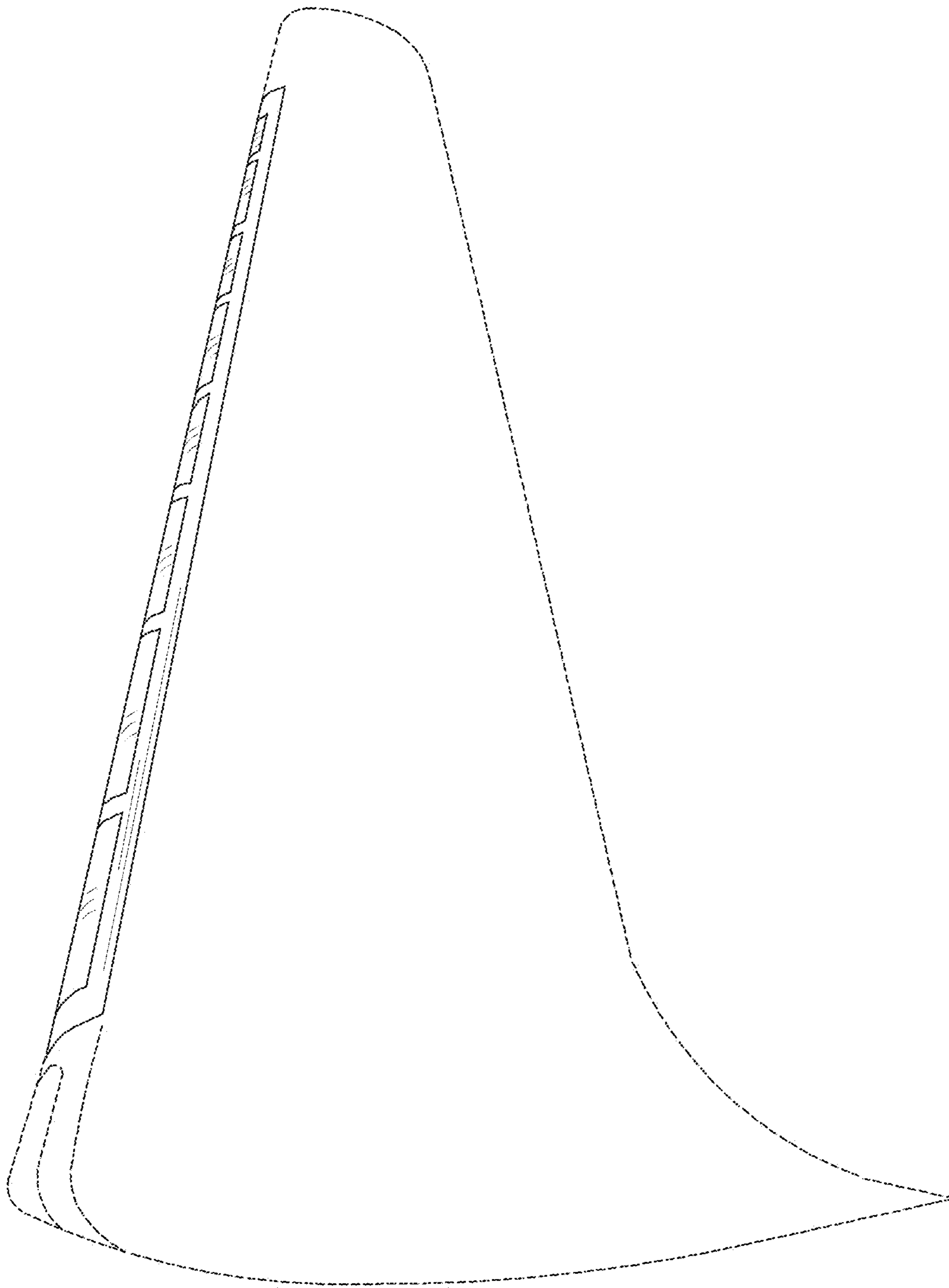


FIG. 23

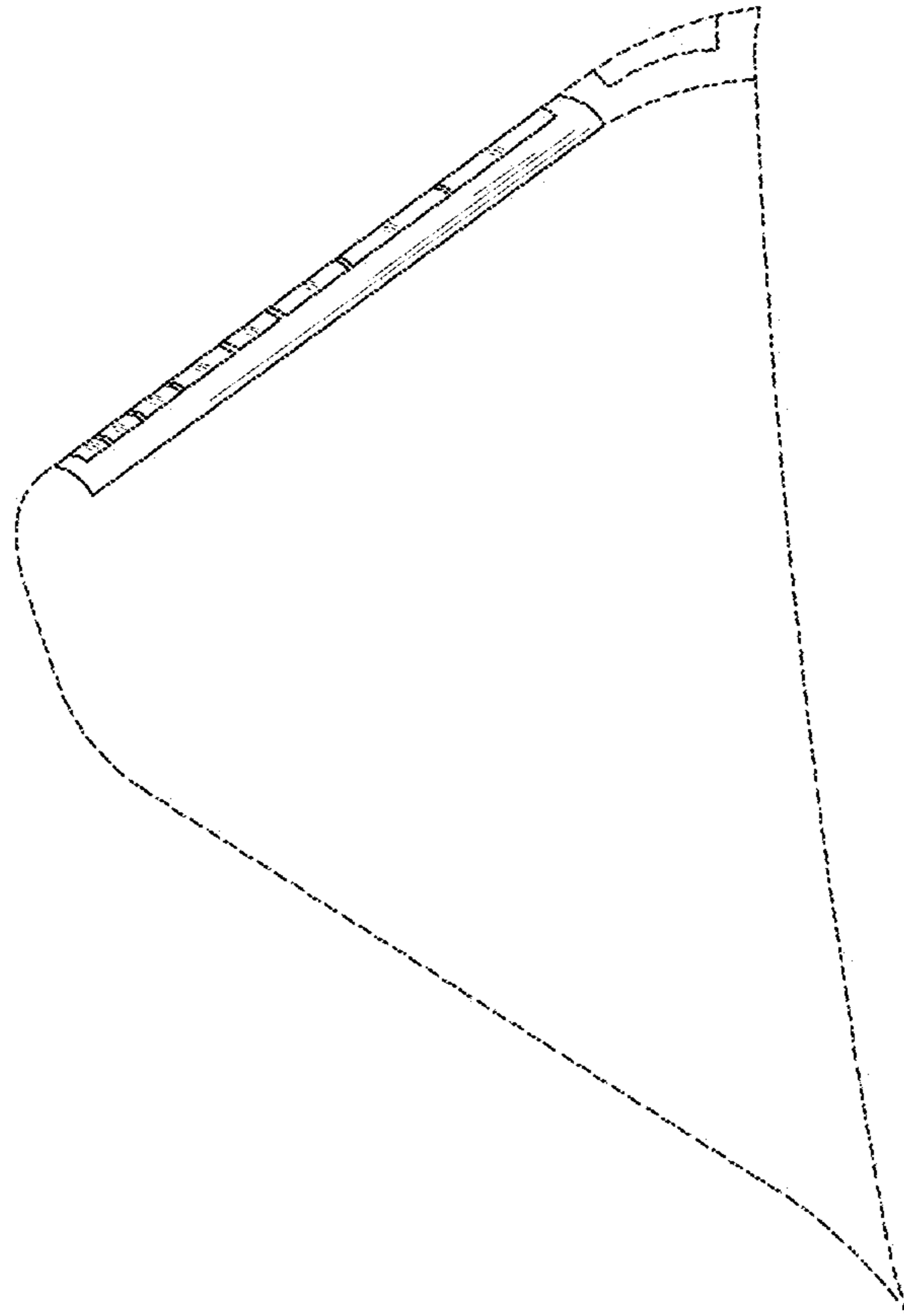


FIG. 24