



US00D935977S

(12) **United States Design Patent** (10) **Patent No.:** **US D935,977 S**  
**Gallert** (45) **Date of Patent:** **\*\* Nov. 16, 2021**

(54) **FITTING FOR MOTOR VEHICLE**  
(71) Applicant: **Dr. Ing. h.c. F. Porsche**  
**Aktiengesellschaft, Stuttgart (DE)**  
(72) Inventor: **Michael Gallert, Stuttgart (DE)**  
(73) Assignee: **Dr. Ing. h.c. F. Porsche**  
**Aktiengesellschaft**

D803,137 S \* 11/2017 Platto ..... D12/213  
D803,138 S \* 11/2017 Fretz ..... D12/213  
D849,659 S \* 5/2019 Lee ..... D12/213  
D874,255 S \* 2/2020 Krahn ..... D8/399  
D885,296 S \* 5/2020 Hale, Jr. .... D12/213  
D904,965 S \* 12/2020 Horlick ..... D12/213  
D911,246 S \* 2/2021 Licklitter ..... D12/213  
2007/0228807 A1\* 10/2007 Leslie ..... B60B 7/0013  
301/37.26

(\*\*) Term: **15 Years**  
(21) Appl. No.: **29/710,569**  
(22) Filed: **Oct. 24, 2019**

(30) **Foreign Application Priority Data**  
May 17, 2019 (DE) ..... 402019100560.9  
(51) **LOC (13) Cl.** ..... **12-16**  
(52) **U.S. Cl.**  
USPC ..... **D12/213**  
(58) **Field of Classification Search**  
USPC ..... D12/204-213; D21/563; D8/312, 321,  
D8/397; D9/453, 447, 446;  
D11/200-217, 222-230, 30, 3, 4, 26, 27,  
D11/40  
CPC .... B60B 7/00; B60B 7/02; B60B 7/04; B60B  
7/01; B60B 7/06; B60B 7/08; B60B  
7/0013; B60B 3/02; B60B 3/04; B60B  
3/06; B60B 3/10; B60B 1/00; B60B 1/08;  
B60B 1/10; B60B 1/12  
See application file for complete search history.

(56) **References Cited**  
U.S. PATENT DOCUMENTS  
D608,716 S \* 1/2010 Baumann ..... D12/213  
9,242,506 B2\* 1/2016 Bennett ..... B60B 7/08  
D784,240 S \* 4/2017 Platto ..... D12/213  
D793,325 S \* 8/2017 Platto ..... D12/213  
D794,534 S \* 8/2017 Chung ..... D12/213

**OTHER PUBLICATIONS**

Ebay.com., "HRE Wheel center caps Custom For Porsche OEM Size 76"aluminum Hi Polish (4pcs)" First sold Sep. 12, 2018. Retrieved Mar. 10, 2021. (<https://www.ebay.com/itm/HRE-Wheel-center-caps-Custom-For-Porsche-OEM-Size-76-aluminum-Hi-Polish-4pcs/322967527185>) (Year: 2018).\*

(Continued)

*Primary Examiner* — Susan E Krakower  
*Assistant Examiner* — Jerry Shiuam-Hua Hsu  
(74) *Attorney, Agent, or Firm* — RatnerPrestia

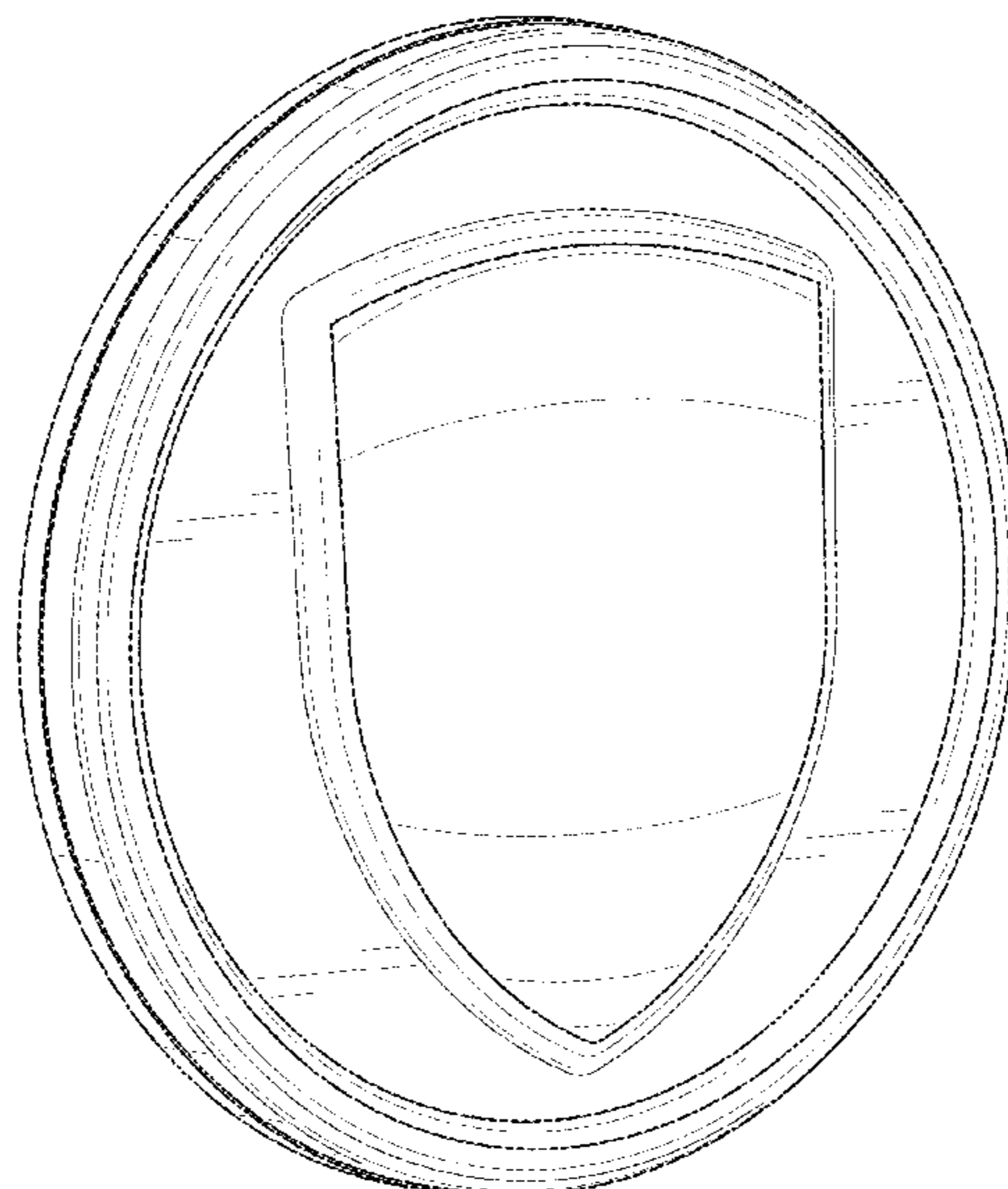
(57) **CLAIM**

The ornamental design for a fitting for motor vehicle, as shown and described.

**DESCRIPTION**

FIG. 1 is a front perspective view of a fitting for motor vehicle, showing my new design;  
FIG. 2 is a front elevation view thereof;  
FIG. 3 is a rear elevation view thereof;  
FIG. 4 is a left side elevation view thereof;  
FIG. 5 is a right side elevation view thereof;  
FIG. 6 is a top plan view thereof; and,  
FIG. 7 is a bottom plan view thereof.  
The dash-dash broken lines illustrate portions of the fitting for motor vehicle that form no part of the claimed design. The dash-dot broken lines represent the boundary of the claim and forms no part of the claimed design.

**1 Claim, 5 Drawing Sheets**



(56)

**References Cited**

OTHER PUBLICATIONS

Amazon.com., "Armor Venue Blank Medieval Shield—16 Gauge Steel Battle Ready—Black—One Size" First reviewed Mar. 13, 2014. Retrieved Mar. 13, 2021, (<https://www.amazon.com/Armor-Venue-Blank-Medieval-Shield/dp/B00CBOVY08/>) (Year: 2014).\*

Pelican Parts, Porsche Hood Crest with Orange Bars, downloaded from [www.pelicanparts.com/More\\_Info/SIC55921020.htm?pn=SIC-559-2](http://www.pelicanparts.com/More_Info/SIC55921020.htm?pn=SIC-559-2), Jan. 24, 2020, 4 pages.

\* cited by examiner

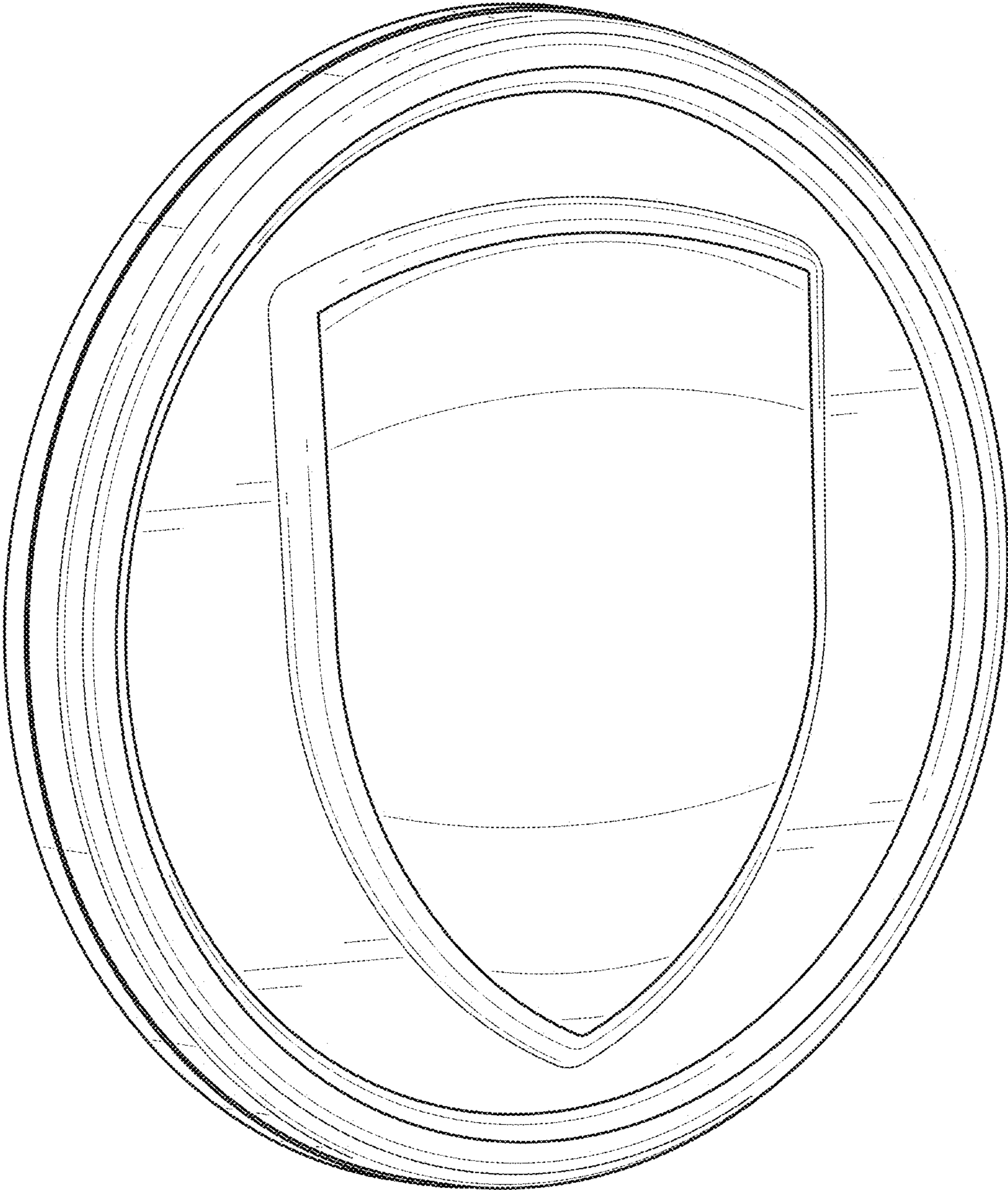


FIG. 1

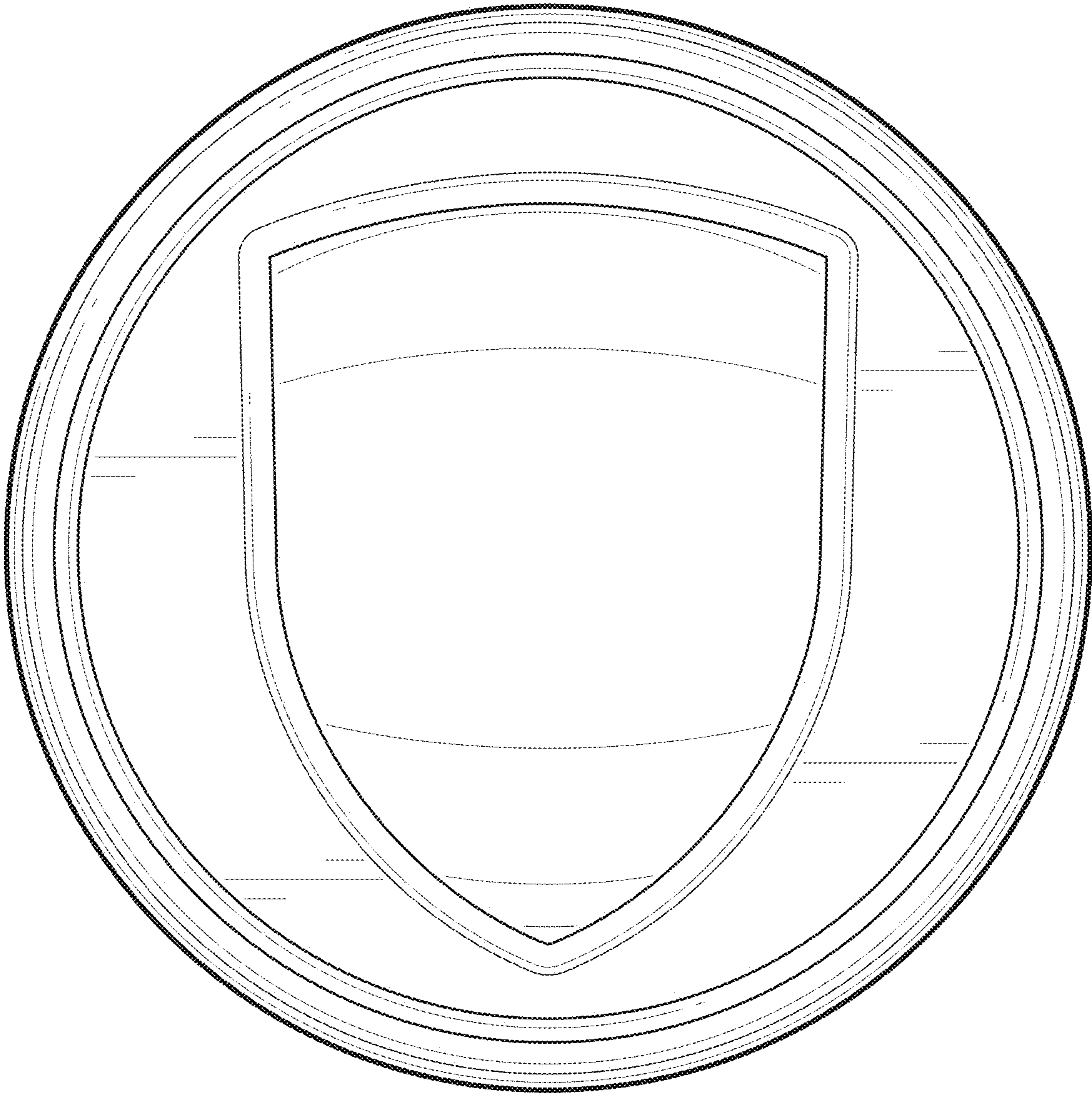


FIG. 2

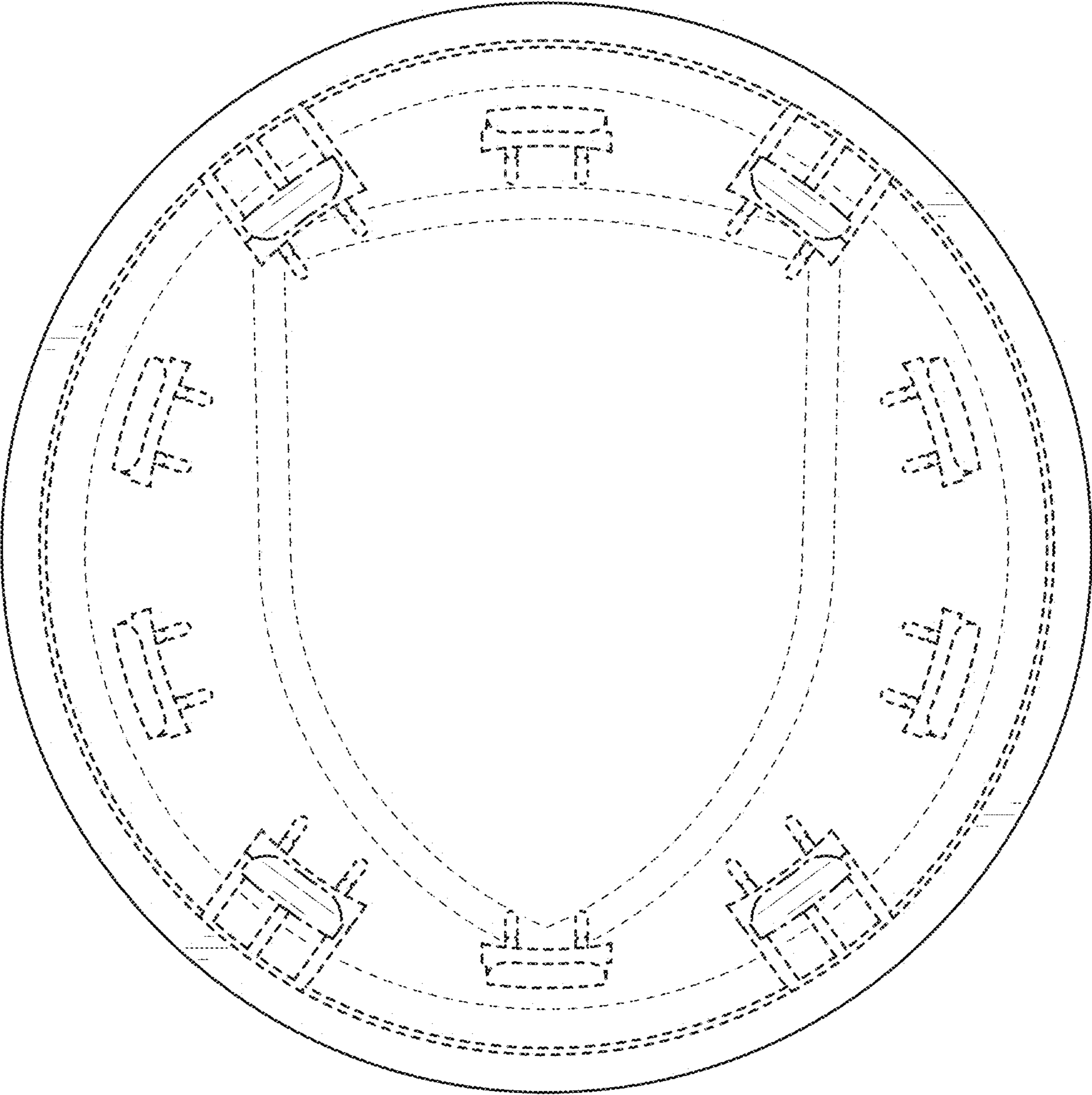


FIG. 3

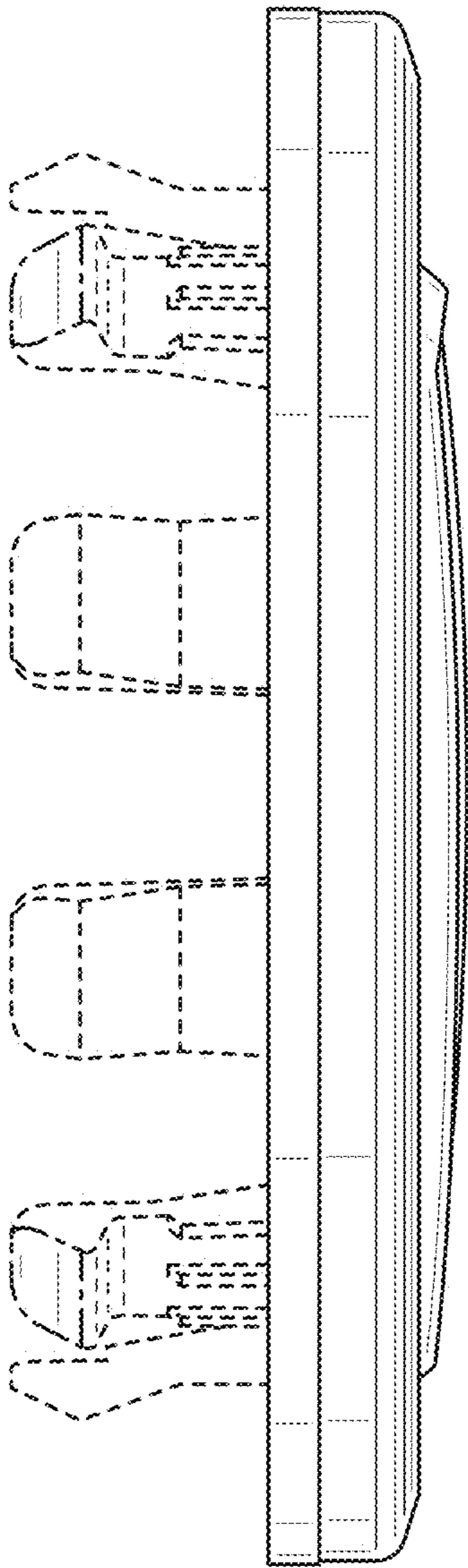


FIG. 4

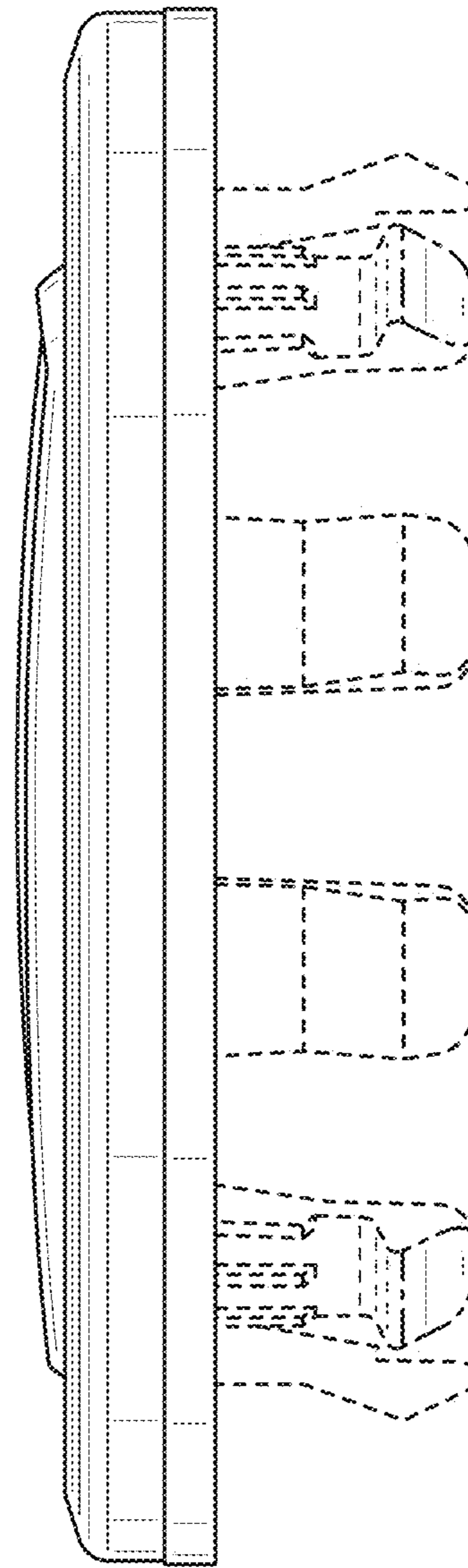


FIG. 5

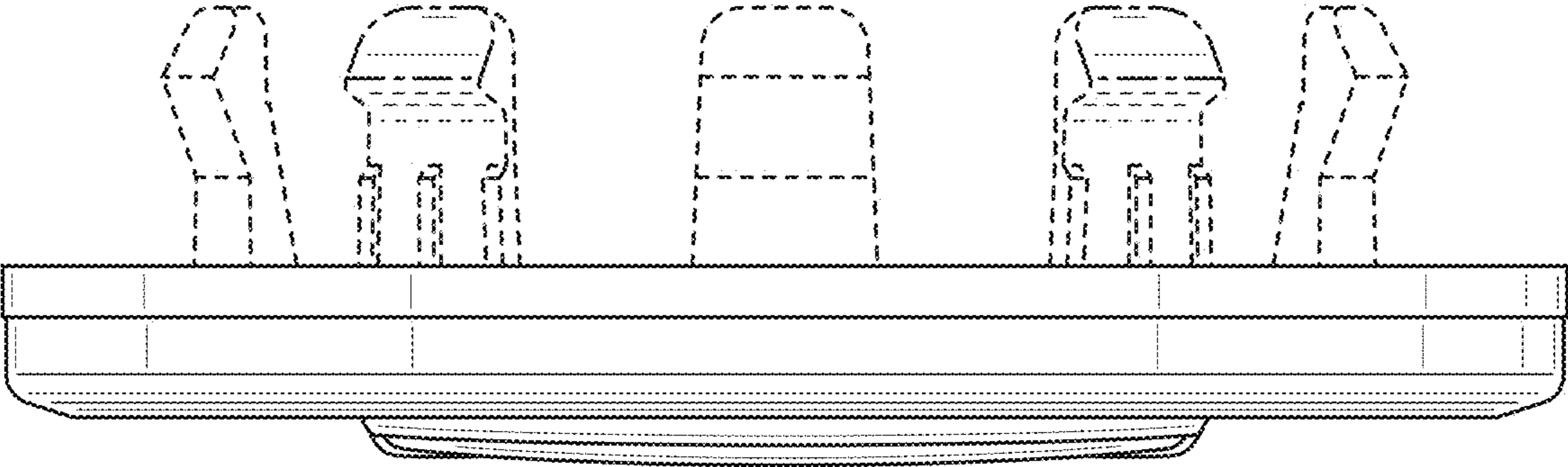


FIG. 6

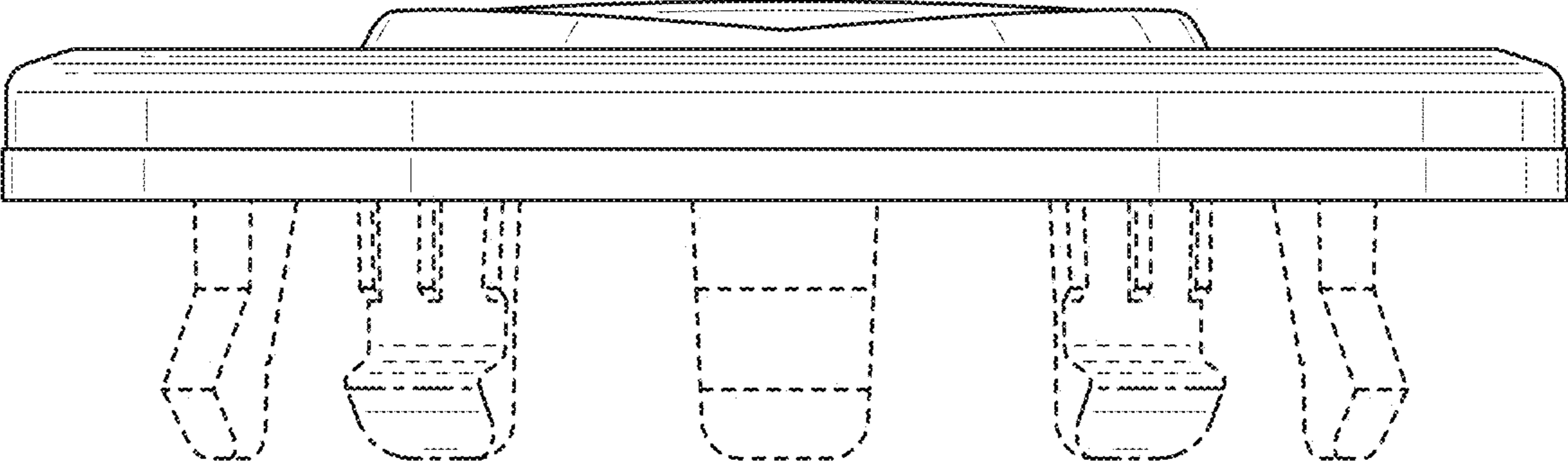


FIG. 7