



US00D935976S

(12) **United States Design Patent**  
**Tran**

(10) **Patent No.:** **US D935,976 S**

(45) **Date of Patent:** **\*\* Nov. 16, 2021**

(54) **WHEEL**

(71) Applicant: **Wheel Pros, LLC**, Greenwood Village,  
CO (US)

(72) Inventor: **Peter Tran**, Lake Hughes, CA (US)

(\*\*) Term: **15 Years**

(21) Appl. No.: **29/750,829**

(22) Filed: **Sep. 16, 2020**

(51) **LOC (13) Cl.** ..... **12-16**

(52) **U.S. Cl.**  
USPC ..... **D12/209**

(58) **Field of Classification Search**

USPC ..... D12/204–213; D21/563  
CPC .... B60B 7/00; B60B 7/02; B60B 7/04; B60B  
7/01; B60B 7/06; B60B 3/02; B60B 3/04;  
B60B 3/06; B60B 3/10; B60B 1/00;  
B60B 1/08; B60B 1/10; B60B 1/12  
See application file for complete search history.

(56) **References Cited**

**U.S. PATENT DOCUMENTS**

|            |   |         |      |       |         |
|------------|---|---------|------|-------|---------|
| D760,142 S | * | 6/2016  | Chu  | ..... | D12/211 |
| D824,315 S | * | 7/2018  | Tran | ..... | D12/209 |
| D824,316 S | * | 7/2018  | Tran | ..... | D12/209 |
| D830,933 S | * | 10/2018 | Zhao | ..... | D12/209 |
| D831,555 S | * | 10/2018 | Zhao | ..... | D12/209 |

|            |   |         |             |       |         |
|------------|---|---------|-------------|-------|---------|
| D833,945 S | * | 11/2018 | Henderson   | ..... | D12/209 |
| D848,926 S | * | 5/2019  | Tran        | ..... | D12/209 |
| D865,616 S | * | 11/2019 | Tran        | ..... | D12/209 |
| D865,623 S | * | 11/2019 | Han         | ..... | D12/209 |
| D889,364 S | * | 7/2020  | Han         | ..... | D12/209 |
| D892,017 S | * | 8/2020  | Han         | ..... | D12/209 |
| D893,389 S | * | 8/2020  | Liu         | ..... | D12/209 |
| D895,520 S | * | 9/2020  | Badstuebner | ..... | D12/211 |
| D902,116 S | * | 11/2020 | Han         | ..... | D12/209 |
| D910,525 S | * | 2/2021  | Tran        | ..... | D12/209 |
| D911,242 S | * | 2/2021  | Piaskowski  | ..... | D12/209 |
| D915,983 S | * | 4/2021  | Chu         | ..... | D12/209 |
| D915,985 S | * | 4/2021  | Hilpert     | ..... | D12/209 |
| D915,987 S | * | 4/2021  | Wittinger   | ..... | D12/209 |
| D918,816 S | * | 5/2021  | VanRyn      | ..... | D12/209 |
| D921,553 S | * | 6/2021  | Williams    | ..... | D12/209 |
| D928,060 S | * | 8/2021  | Han         | ..... | D12/209 |

\* cited by examiner

*Primary Examiner* — Stacia A Cadmus

(74) *Attorney, Agent, or Firm* — Eric Hanscom

(57) **CLAIM**

The ornamental design for a wheel, as shown and described.

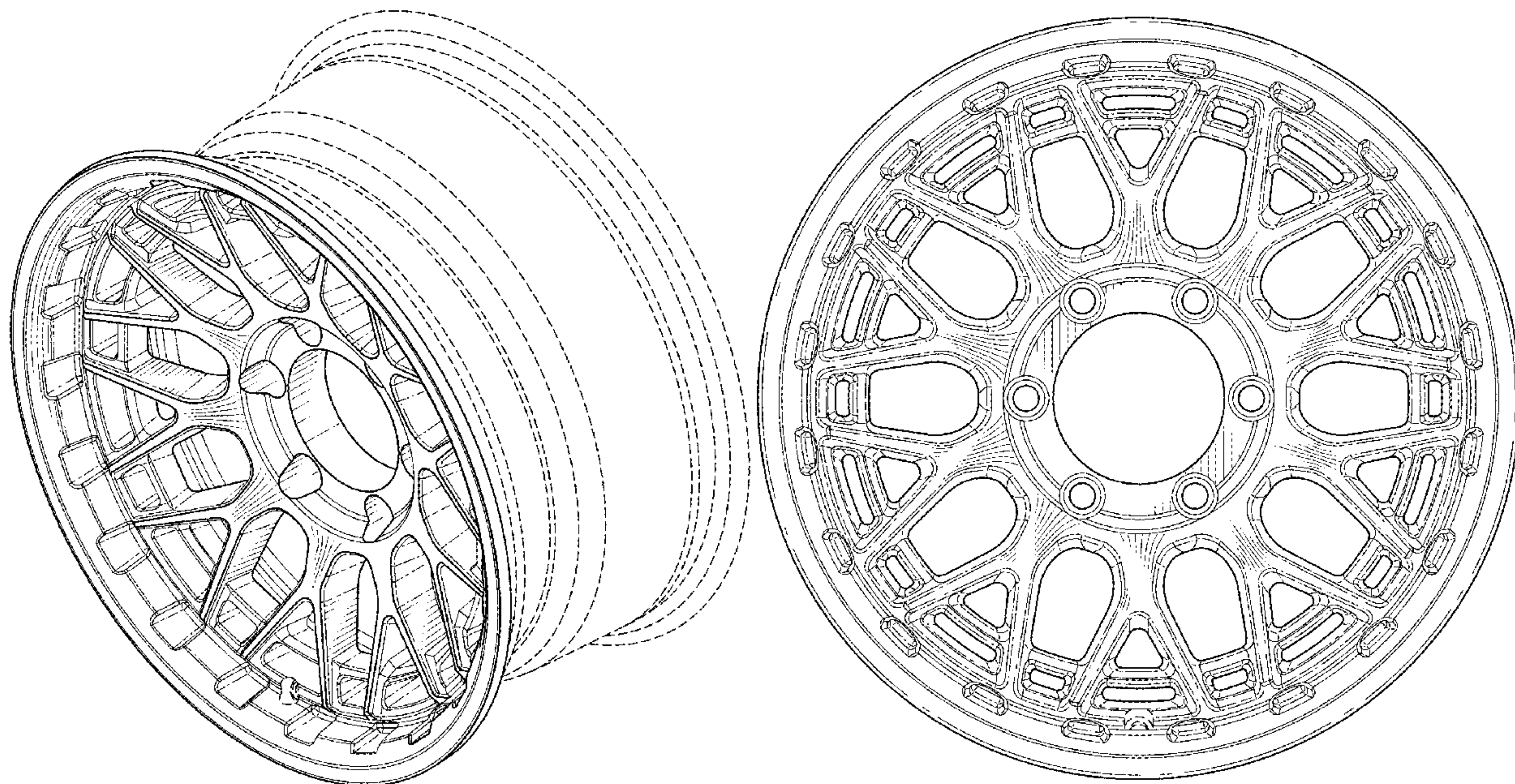
**DESCRIPTION**

FIG. 1 is a perspective view of a wheel showing my new design; and,

FIG. 2 is a front view thereof.

In the drawings the broken lines depict portions of the wheel that form no part of the claimed design.

**1 Claim, 2 Drawing Sheets**





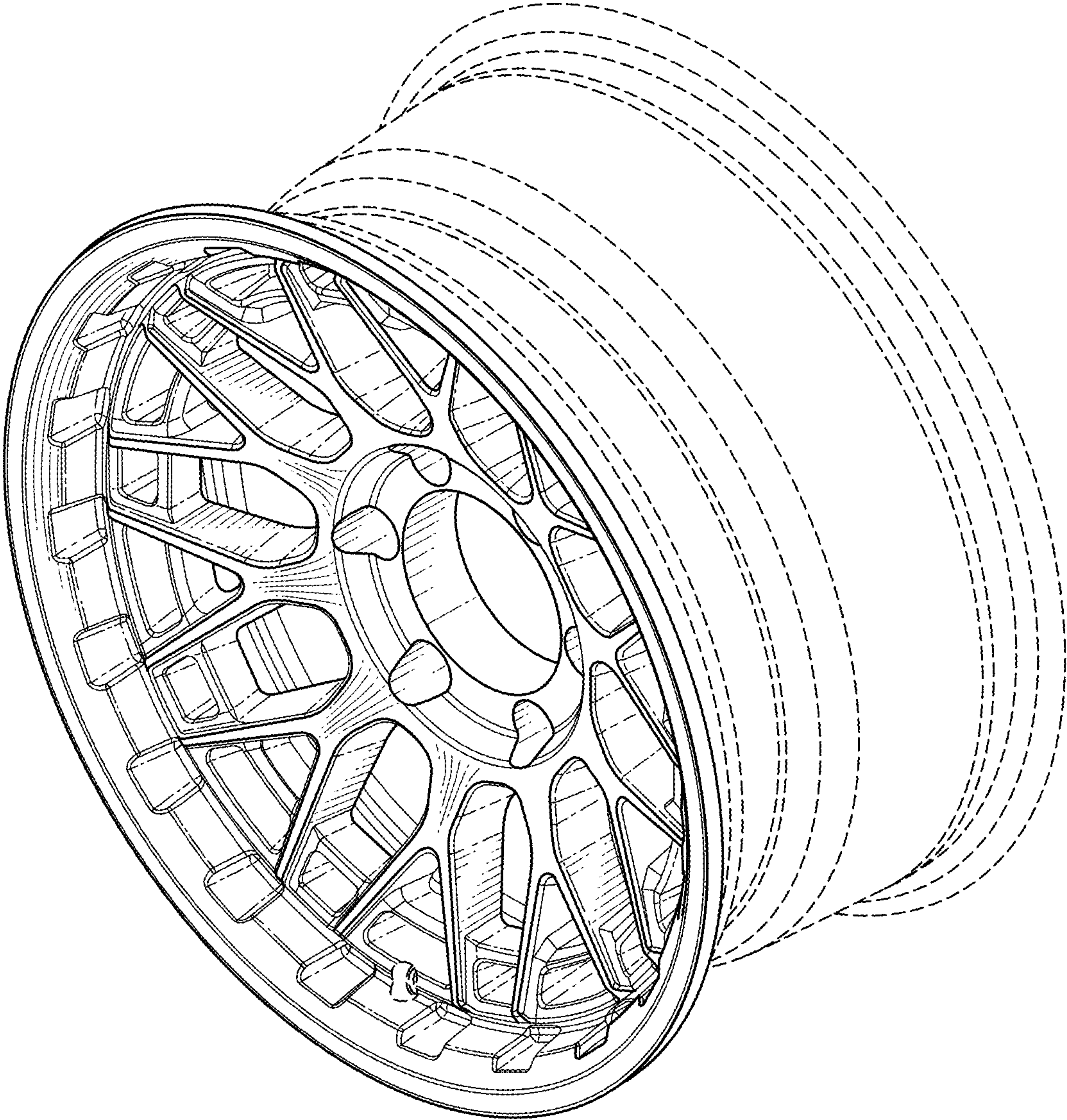


FIG. 1



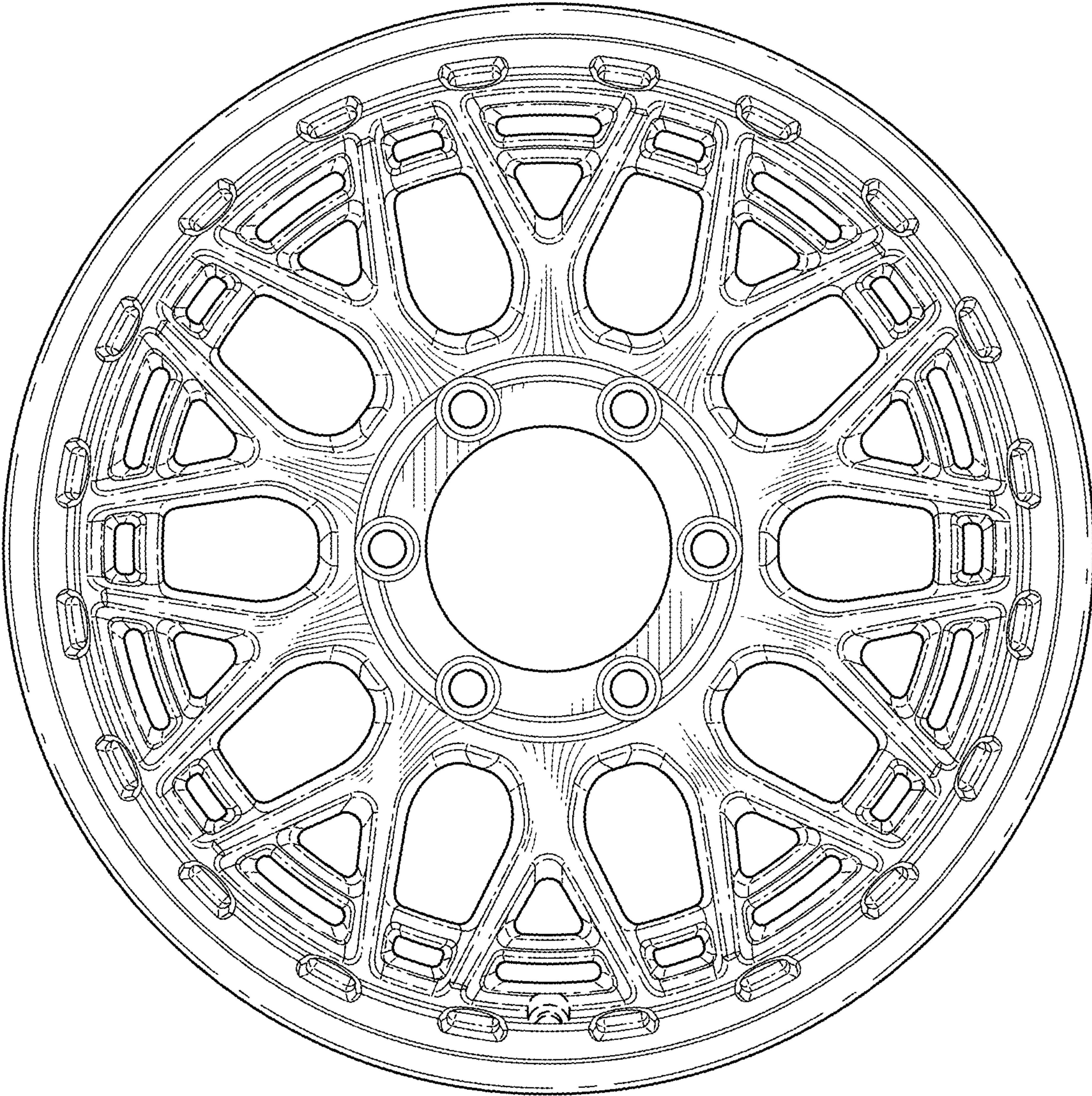


FIG. 2