



US00D935975S

(12) **United States Design Patent**
Hale, Jr.

(10) **Patent No.:** **US D935,975 S**

(45) **Date of Patent:** **** Nov. 16, 2021**

(54) **WHEEL**

(71) Applicant: **Wheel Pros, LLC**, Greenwood Village,
CO (US)

(72) Inventor: **John Hale, Jr.**, Compton, CA (US)

(**) Term: **15 Years**

(21) Appl. No.: **29/750,804**

(22) Filed: **Sep. 16, 2020**

(51) **LOC (13) Cl.** **12-16**

(52) **U.S. Cl.**
USPC **D12/209**

(58) **Field of Classification Search**
USPC D12/204–213; D21/563
CPC B60B 7/00; B60B 7/02; B60B 7/04; B60B
7/01; B60B 7/06; B60B 3/02; B60B 3/04;
B60B 3/06; B60B 3/10; B60B 1/00;
B60B 1/08; B60B 1/10; B60B 1/12
See application file for complete search history.

(56) **References Cited**

U.S. PATENT DOCUMENTS

D738,270 S *	9/2015	Blanski	D12/169
D808,322 S *	1/2018	Sempek	D12/209
D828,270 S *	9/2018	Aslam	D12/211
D830,265 S *	10/2018	Chung	D12/209
D830,269 S *	10/2018	Garcia	D12/209
D830,271 S *	10/2018	Aslam	D12/209
D831,558 S *	10/2018	Starr, Jr.	D12/209

D843,913 S *	3/2019	Ash	D12/209
D856,891 S *	8/2019	Zhao	D12/209
D860,907 S *	9/2019	Han	D12/209
D863,182 S *	10/2019	Han	D12/209
D863,190 S *	10/2019	Han	D12/209
D870,631 S *	12/2019	Ash	D12/209
D871,300 S *	12/2019	Ash	D12/209
D871,302 S *	12/2019	Han	D12/209
D878,270 S *	3/2020	Han	D12/209
D893,381 S *	8/2020	Han	D12/209
D893,386 S *	8/2020	Chung	D12/209
D902,108 S *	11/2020	Han	D12/209
D911,910 S *	3/2021	Hale, Jr.	D12/209
D912,594 S *	3/2021	Ranum	D12/209
D921,554 S *	6/2021	Hale	D12/209
D922,927 S *	6/2021	Kaoud	D12/209
D927,387 S *	8/2021	Li	D12/209
D928,687 S *	8/2021	Podlovits	D12/209

* cited by examiner

Primary Examiner — Stacia A Cadmus

(74) *Attorney, Agent, or Firm* — Eric Hanscom

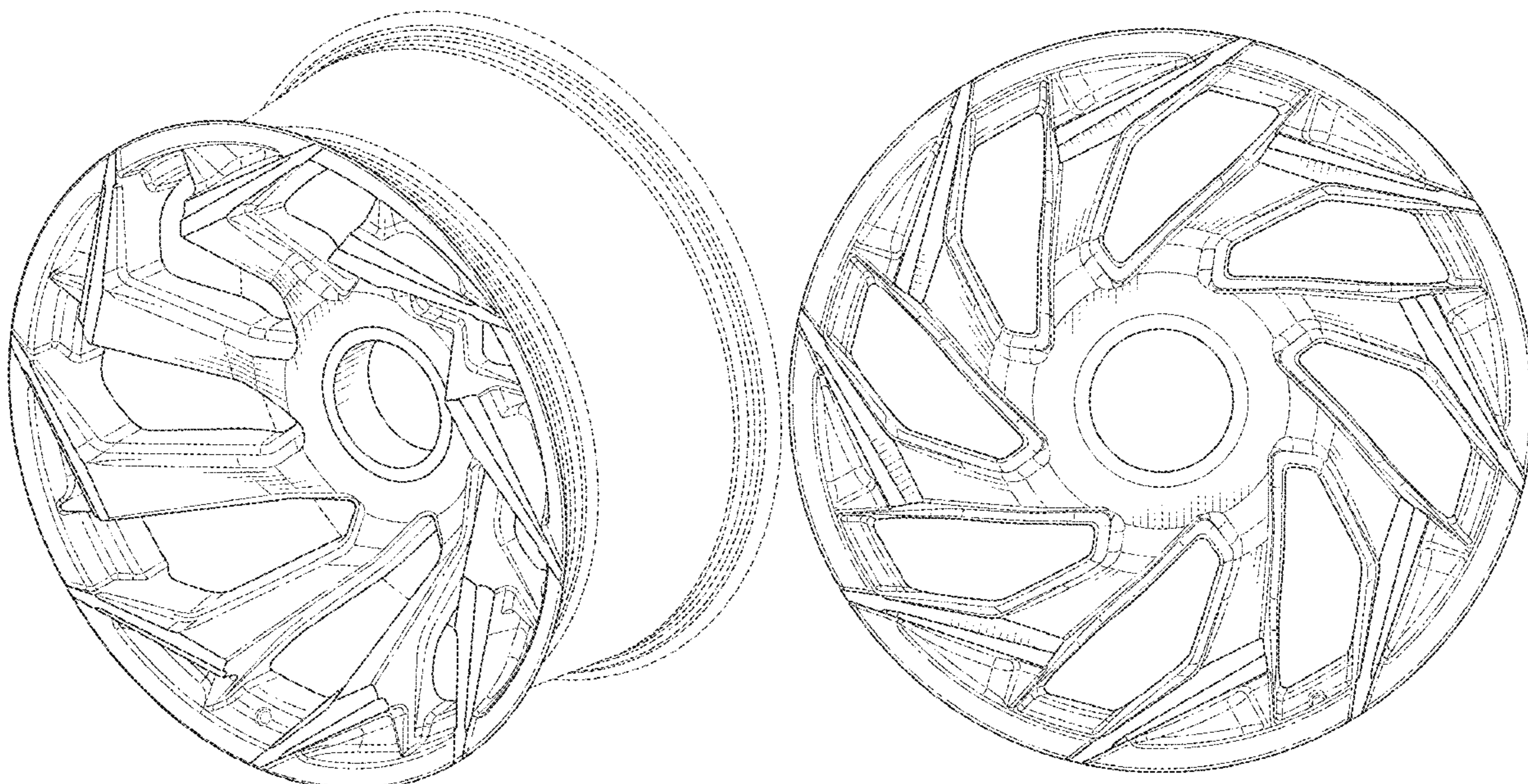
(57) **CLAIM**

The ornamental design for a wheel, as shown and described.

DESCRIPTION

FIG. 1 is a perspective view of a wheel showing my new design; and,
FIG. 2 is a front view thereof.
In the drawings, the broken lines depict portions of the vehicle wheel that form no part of the claimed design.

1 Claim, 2 Drawing Sheets



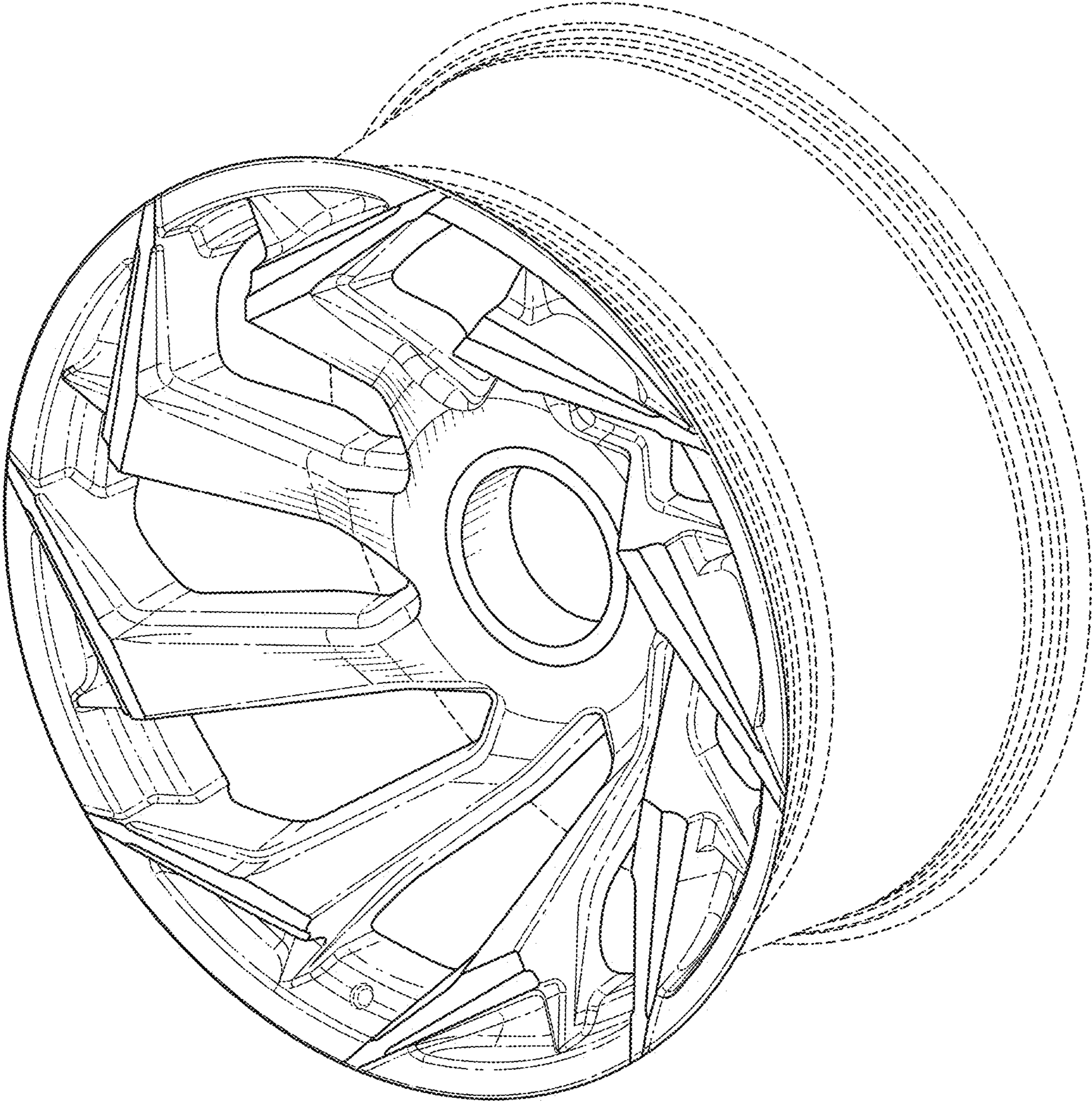


FIG. 1

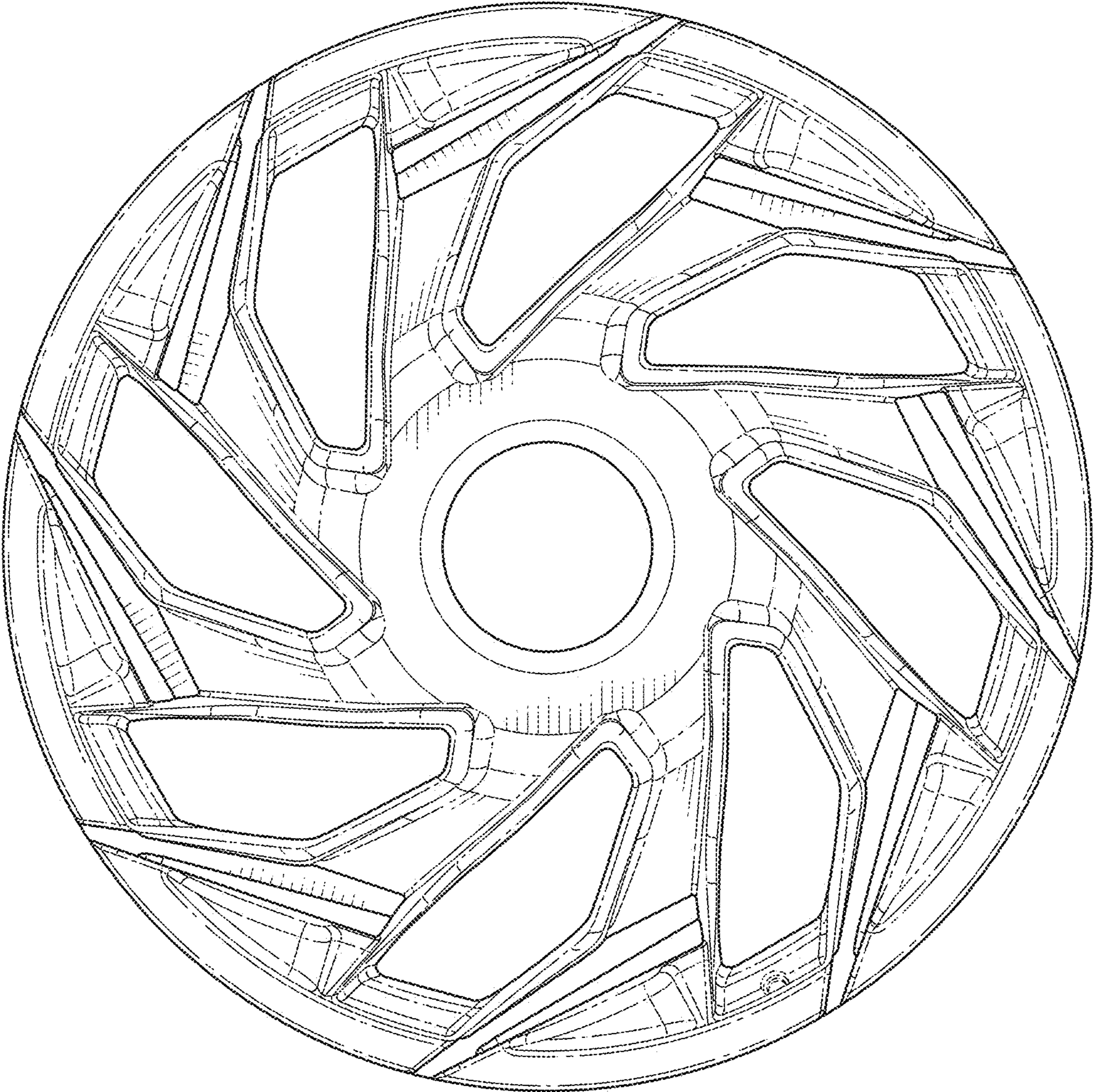


FIG. 2