



US00D935969S

(12) **United States Design Patent**  
**Wu**

(10) **Patent No.:** **US D935,969 S**

(45) **Date of Patent:** **\*\* Nov. 16, 2021**

(54) **DASHBOARD FOR AUTOMOBILE**

(71) Applicant: **Tianjin ICONIQ New Energy Vehicle Co., Ltd., Tianjin (CN)**

(72) Inventor: **Nan Wu, Tianjin (CN)**

(73) Assignee: **Tianjin ICONIQ New Energy Vehicle Co., Ltd., Tianjin (CN)**

(\*\*) Term: **15 Years**

(21) Appl. No.: **29/712,127**

(22) Filed: **Nov. 5, 2019**

(30) **Foreign Application Priority Data**

May 5, 2019 (CN) ..... 201930213238.6

(51) **LOC (13) Cl.** ..... **12-16**

(52) **U.S. Cl.**  
USPC ..... **D12/192**

(58) **Field of Classification Search**

USPC ..... D12/192, 415, 114, 345; D14/157, 485,  
D14/489, 492, 488, 490; D15/46, 98,  
D15/102, 103, 122-127; D10/17, 28;  
D23/324

CPC . B60R 11/0235; B60R 11/0252; B60K 37/04;  
B60K 37/06; B60K 35/00

See application file for complete search history.

(56) **References Cited**

**U.S. PATENT DOCUMENTS**

D394,834 S \* 6/1998 Sacco ..... D12/192  
D424,002 S \* 5/2000 Leschke ..... D12/192

D608,264 S *	1/2010	Hwang	.....	D12/192
D650,728 S *	12/2011	Mayrand	.....	D12/192
D666,544 S *	9/2012	Tsay	.....	D12/195
D772,128 S *	11/2016	Platt	.....	D12/192
D793,314 S *	8/2017	Yoon	.....	D12/192
D808,874 S *	1/2018	Gao	.....	D12/192
D863,167 S *	10/2019	Moir	.....	D12/192
D877,013 S *	3/2020	Kim	.....	D12/192
D884,569 S *	5/2020	Roo-Clefas	.....	D12/192
D890,661 S *	7/2020	Alexiev	.....	D12/192
D902,101 S *	11/2020	Jacob	.....	D12/192
D903,560 S *	12/2020	Takamura	.....	D12/192
D909,940 S *	2/2021	Roo-Clefas	.....	D12/192

\* cited by examiner

*Primary Examiner* — Susan E Krakower

*Assistant Examiner* — Jerry Shiu-an-Hua Hsu

(74) *Attorney, Agent, or Firm* — Kacvinsky Daisak Bluni PLLC

(57) **CLAIM**

The ornamental design for a dashboard for automobile, as shown and described.

**DESCRIPTION**

FIG. 1 is a front view of the dashboard for automobile, showing my new design;

FIG. 2 is a rear view thereof;

FIG. 3 is a left view thereof;

FIG. 4 is a right view thereof;

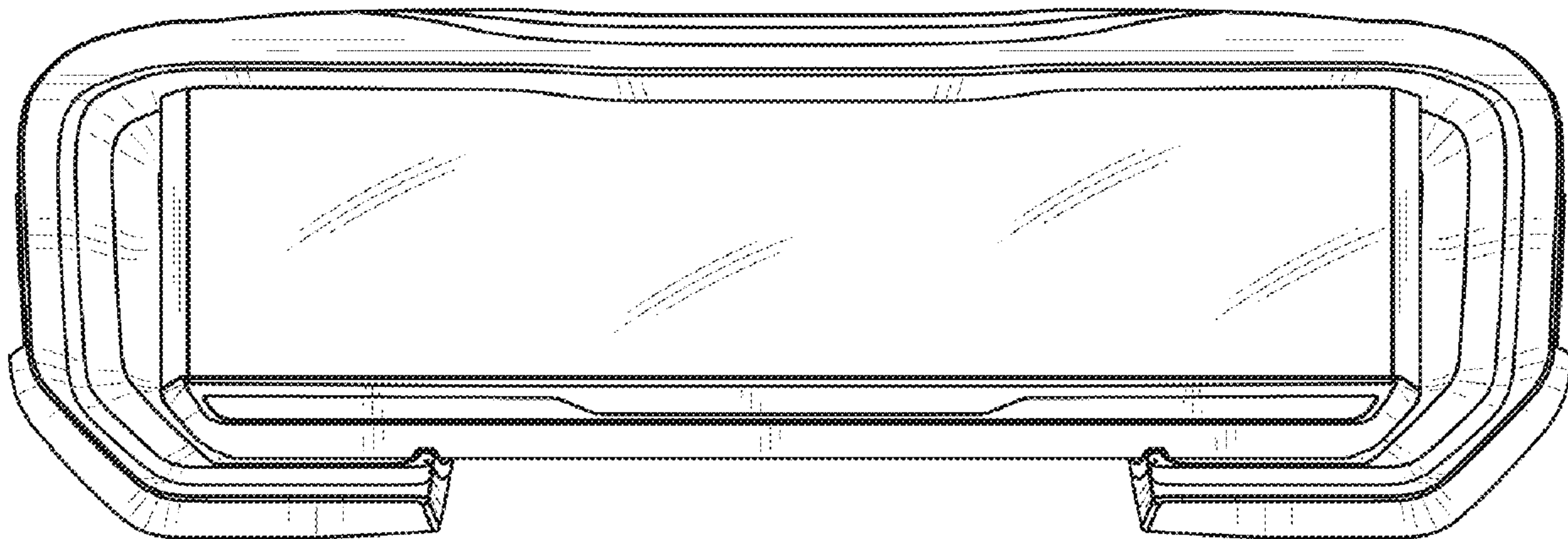
FIG. 5 is a top view thereof;

FIG. 6 is a bottom view thereof; and,

FIG. 7 is a perspective view thereof.

The broken lines illustrate portions of the dashboard for automobile that form no part of the claimed design.

**1 Claim, 4 Drawing Sheets**



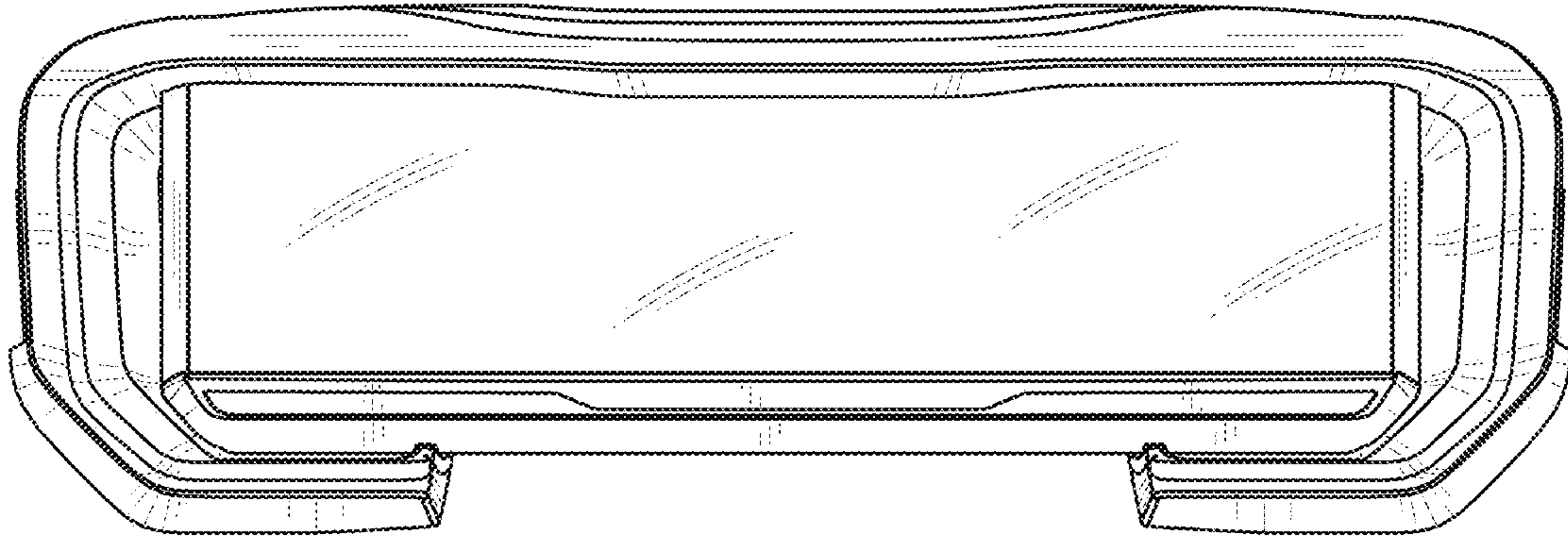


FIG. 1

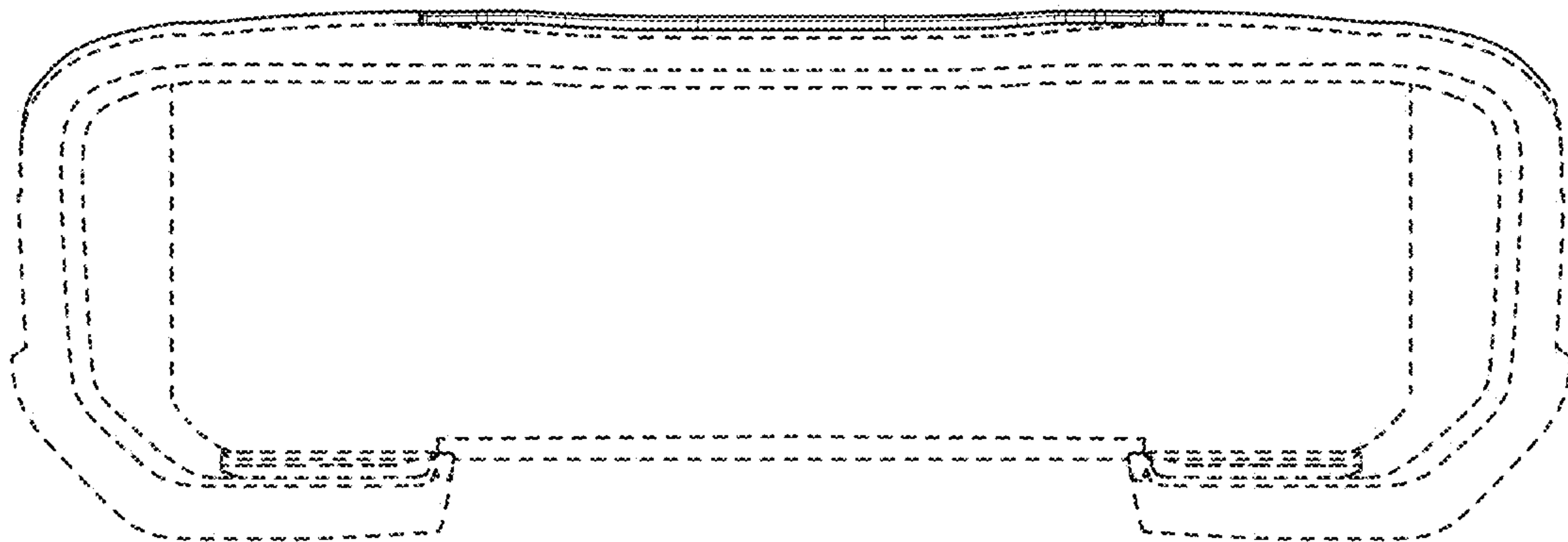


FIG. 2

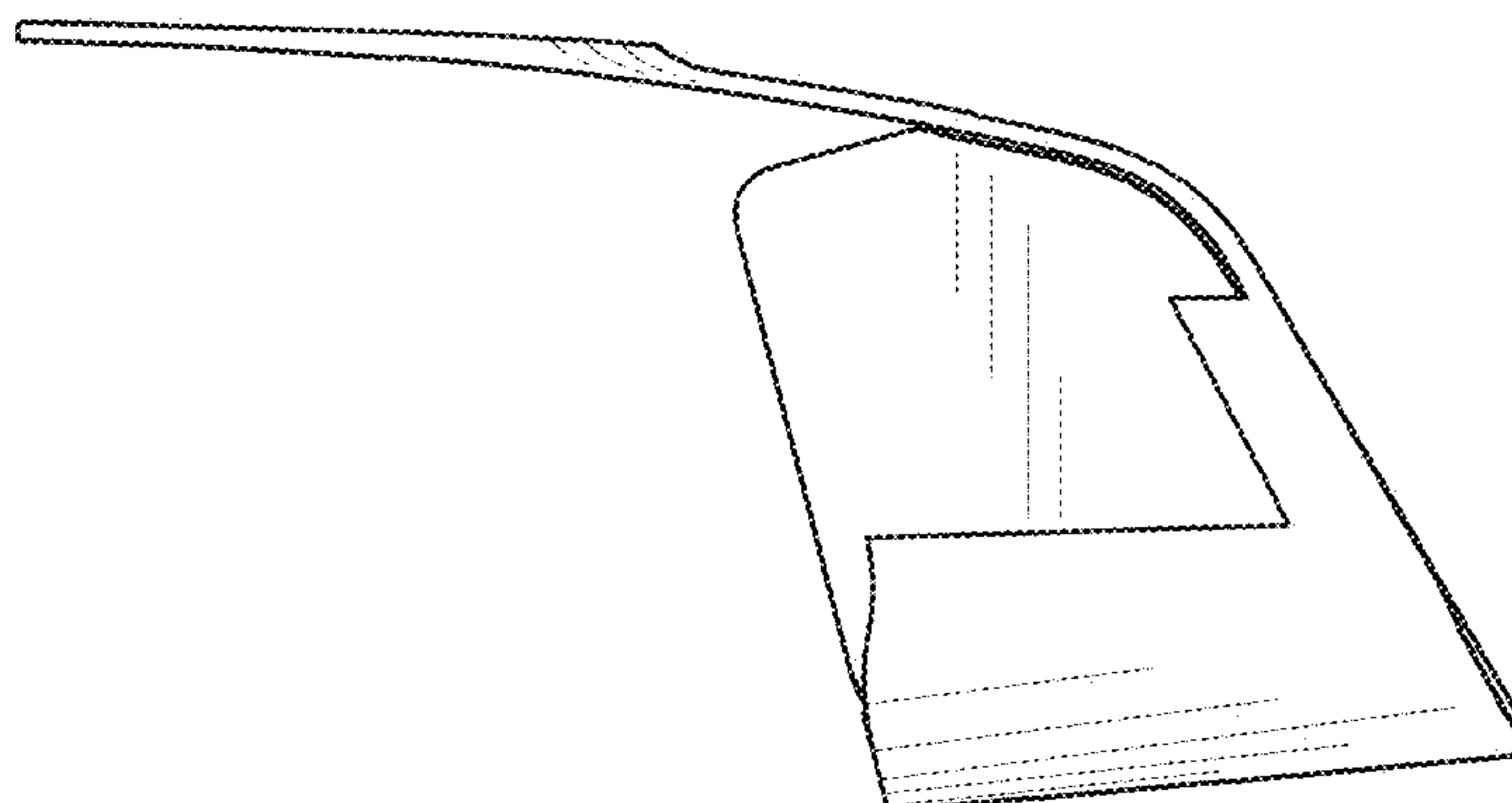


FIG.3

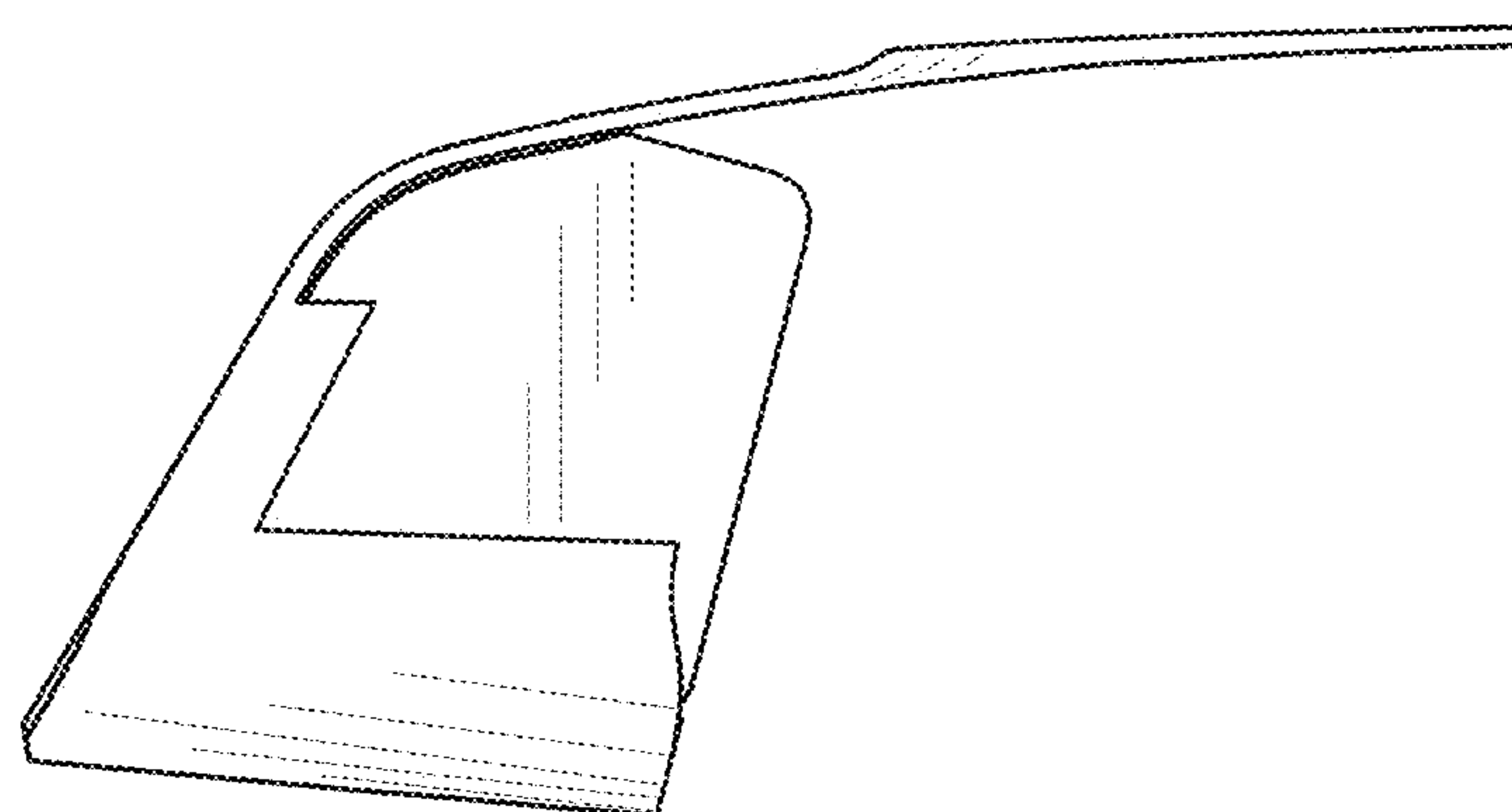


FIG.4

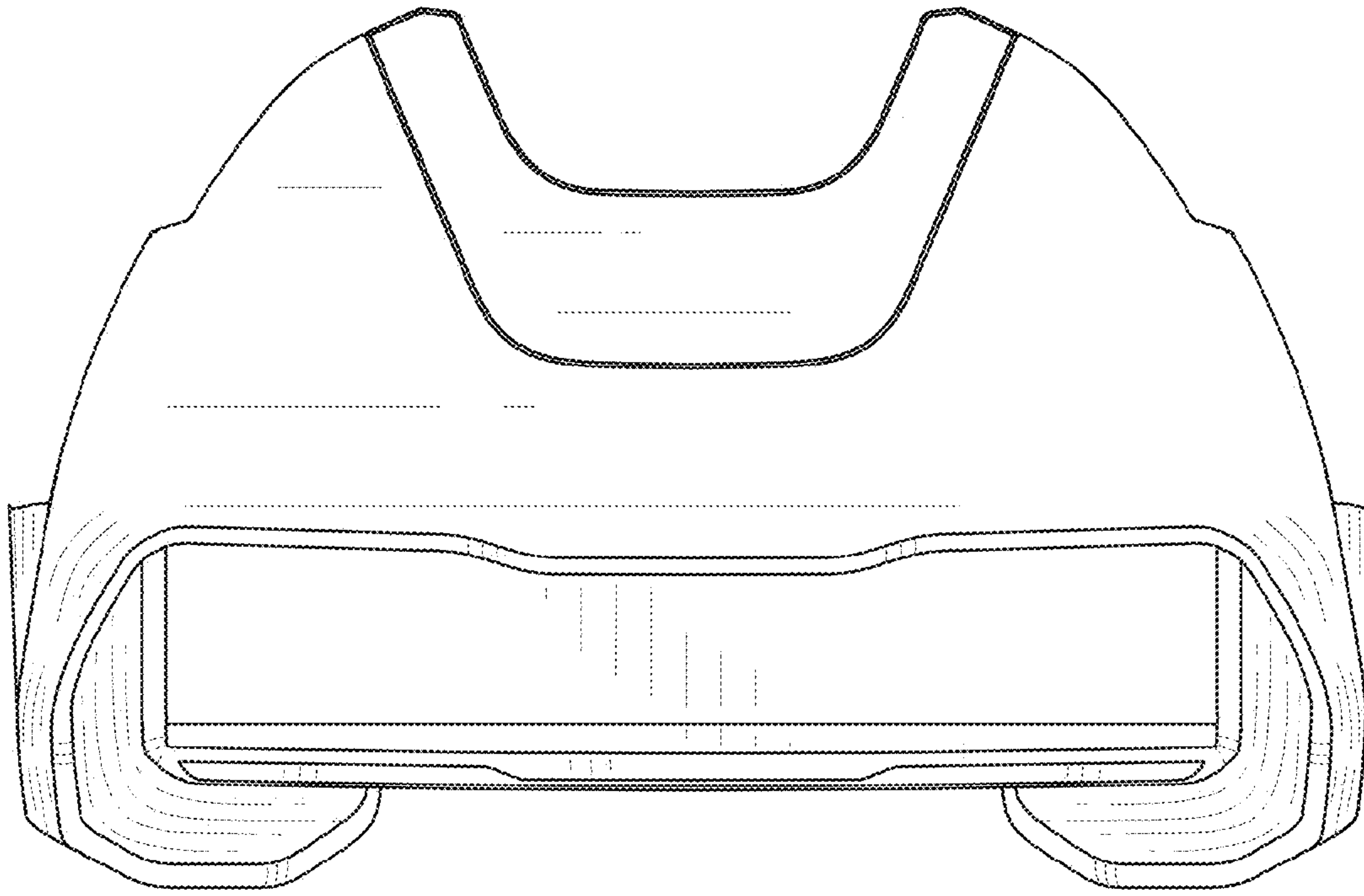


FIG. 5

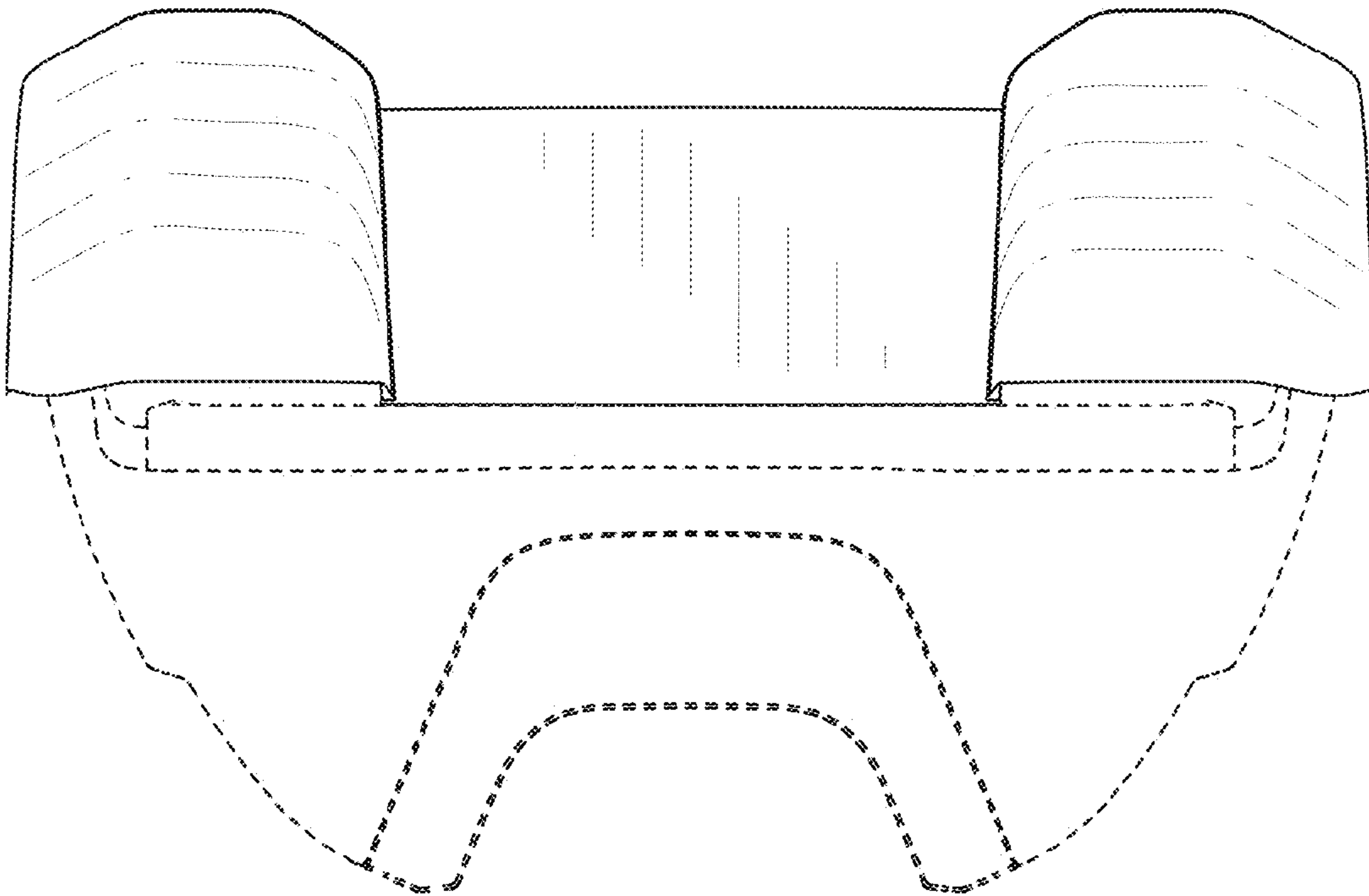


FIG. 6



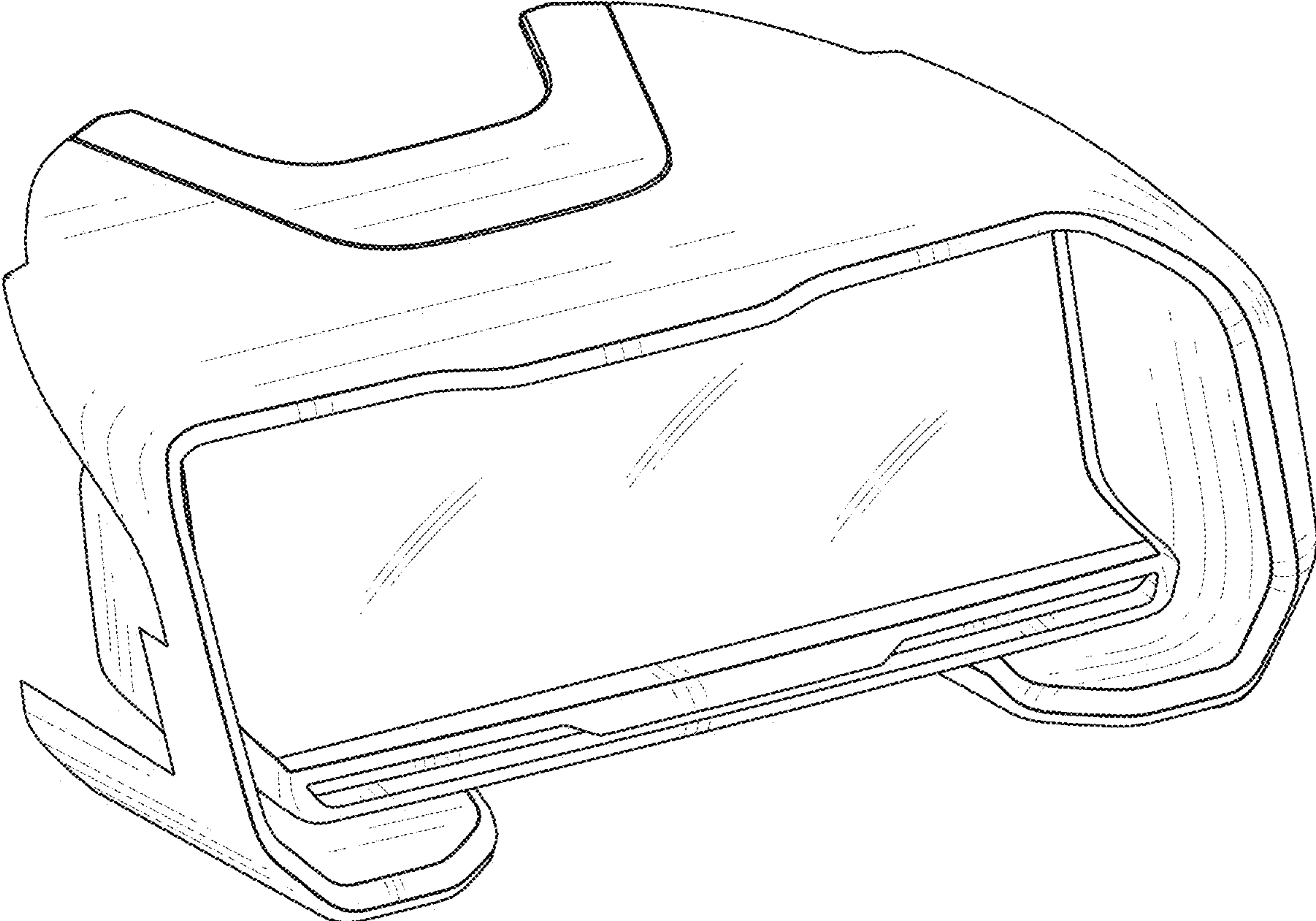


FIG.7