



US00D935966S

(12) **United States Design Patent**  
**Bibb, VI**

(10) **Patent No.:** **US D935,966 S**

(45) **Date of Patent:** **\*\* Nov. 16, 2021**

- (54) **FENDER FLARE**
- (71) Applicant: **Bushwacker, Inc.**, Buford, GA (US)
- (72) Inventor: **William Franklin Bibb, VI**, Highlands Ranch, CO (US)
- (73) Assignee: **BUSHWACKER, INC.**, Buford, GA (US)
- (\*\*) Term: **15 Years**
- (21) Appl. No.: **29/761,810**
- (22) Filed: **Dec. 11, 2020**

- 2,054,538 A 9/1936 Graves et al.
- 2,059,305 A 11/1936 Best
- 2,073,159 A 3/1937 Lintern et al.
- 2,106,418 A 1/1938 Wagner
- 2,184,798 A 12/1939 Gracey
- 2,236,846 A 4/1941 Davisson
- 2,281,840 A 5/1942 Hamilton
- 2,475,901 A 7/1949 Kipp
- D154,735 S 8/1949 Airbib
- D154,861 S 8/1949 Maher
- D156,679 S 12/1949 Stiles
- D157,555 S 3/1950 Abrams
- D159,144 S 6/1950 Dieterich
- 2,534,763 A 12/1950 Flavin
- 2,566,934 A 9/1951 Dieterich
- 2,567,501 A 9/1951 Zeis
- 2,599,809 A 6/1952 Branch
- D167,676 S 9/1952 Chicorel

(Continued)

**Related U.S. Application Data**

- (63) Continuation of application No. 29/668,028, filed on Oct. 26, 2018, now Pat. No. Des. 906,200.
- (51) **LOC (13) Cl.** ..... **12-16**
- (52) **U.S. Cl.**  
USPC ..... **D12/184**
- (58) **Field of Classification Search**  
USPC .... D12/190, 192, 400, 90, 91, 92, 199, 197,  
D12/163, 86, 171, 169, 110, 114, 181,  
D12/184, 196  
CPC ..... B62D 25/18; B60R 13/04; B60R 13/0861  
See application file for complete search history.

*Primary Examiner* — Susan E Krakower

*Assistant Examiner* — Jerry Shiuian-Hua Hsu

(74) *Attorney, Agent, or Firm* — Knobbe, Martens, Olson & Bear LLP

(57) **CLAIM**

The ornamental design for a fender flare, as shown and described.

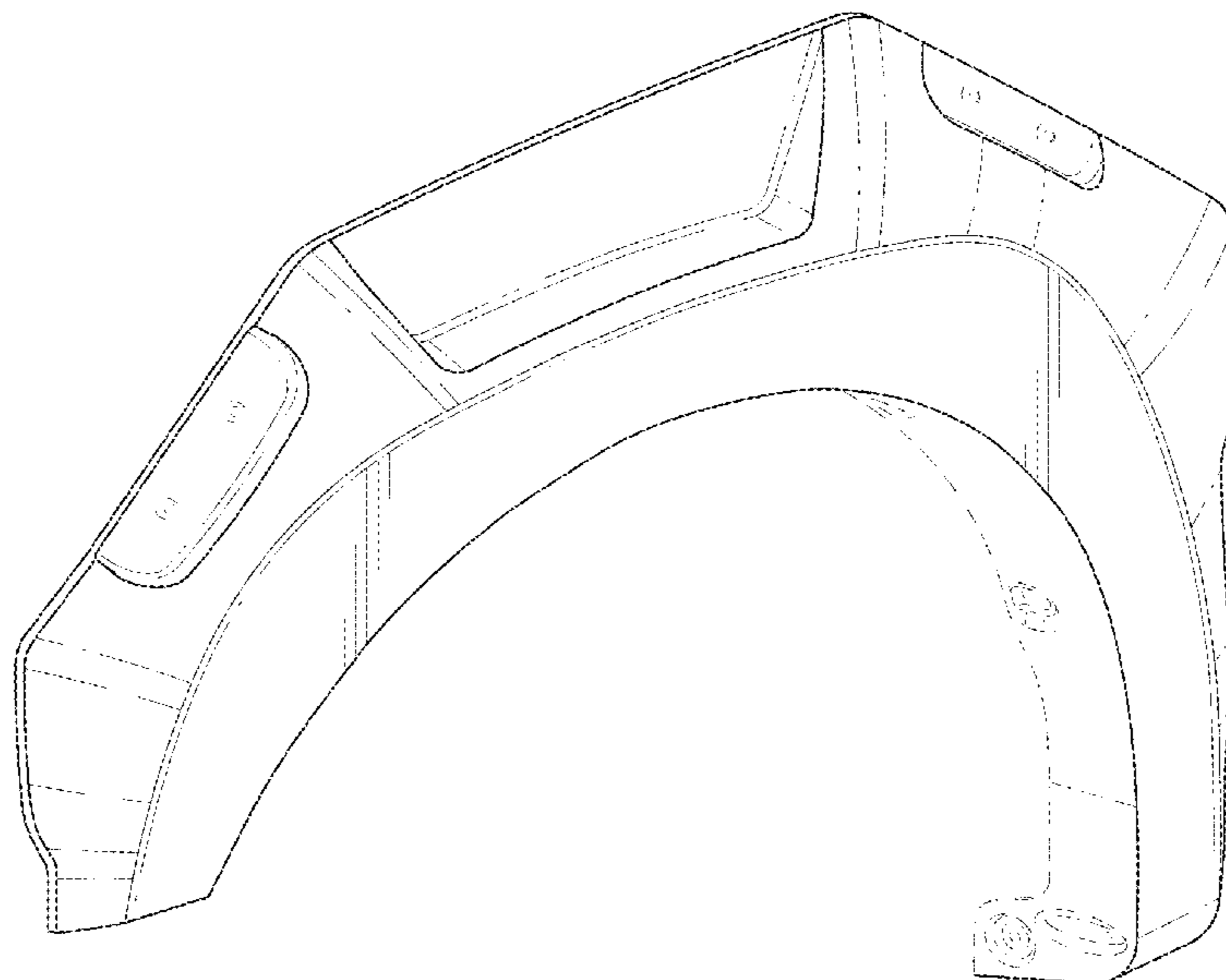
**DESCRIPTION**

FIG. 1 is a front perspective view of a fender flare, showing my new design;  
 FIG. 2 is a bottom rear perspective view thereof;  
 FIG. 3 is a front elevational view thereof;  
 FIG. 4 is a rear elevational view thereof;  
 FIG. 5 is a left elevational view thereof;  
 FIG. 6 is a right elevational view thereof;  
 FIG. 7 is a top plan view thereof; and,  
 FIG. 8 is a bottom plan view thereof.  
 Broken lines are used to illustrate features of the fender flare which form no part of the claimed design.

**1 Claim, 6 Drawing Sheets**

(56) **References Cited**  
 U.S. PATENT DOCUMENTS

- D23,794 S 11/1894 Marks
- D50,345 S 2/1917 Green
- D50,346 S 2/1917 Green
- 1,453,340 A 5/1923 Druar
- 1,588,654 A 6/1926 Brownlee
- 1,787,035 A 12/1930 Davis
- 1,811,527 A 6/1931 Young
- D85,241 S 9/1931 Henderson
- 1,825,192 A 9/1931 Mace



(56)

## References Cited

## U.S. PATENT DOCUMENTS

|           |   |         |                  |           |   |         |                  |
|-----------|---|---------|------------------|-----------|---|---------|------------------|
| 2,749,830 | A | 6/1956  | Landon           | 4,709,938 | A | 12/1987 | Ward et al.      |
| 2,757,954 | A | 8/1956  | Hurley           | 4,726,619 | A | 2/1988  | Haugestad        |
| 2,777,732 | A | 1/1957  | Walsh            | D294,707  | S | 3/1988  | Cameron          |
| 2,792,254 | A | 5/1957  | Hagglund         | 4,750,549 | A | 6/1988  | Ziegler et al.   |
| 2,793,705 | A | 5/1957  | Garrity          | 4,756,242 | A | 7/1988  | Keith            |
| 2,857,973 | A | 10/1958 | Garrity          | 4,758,040 | A | 7/1988  | Kingsley         |
| 2,859,680 | A | 11/1958 | Edwards          | 4,776,627 | A | 10/1988 | Hutto            |
| 2,949,842 | A | 8/1960  | Crandall         | 4,784,430 | A | 11/1988 | Biermacher       |
| 3,015,517 | A | 1/1962  | Thornburgh       | D299,713  | S | 2/1989  | Dunham           |
| 3,022,848 | A | 2/1962  | Bennett          | 4,819,136 | A | 4/1989  | Ramsey           |
| D201,496  | S | 6/1965  | Stef             | D300,918  | S | 5/1989  | Turner           |
| 3,214,216 | A | 10/1965 | Brown, Jr.       | D301,028  | S | 5/1989  | Buck             |
| 3,434,408 | A | 3/1969  | Rivers           | D301,450  | S | 6/1989  | Kingsley         |
| 3,487,420 | A | 12/1969 | Herr             | 4,842,319 | A | 6/1989  | Ziegler et al.   |
| 3,678,635 | A | 7/1972  | Vagi et al.      | 4,842,320 | A | 6/1989  | Kingsley         |
| 3,695,674 | A | 10/1972 | Baker            | 4,842,912 | A | 6/1989  | Hutter, III      |
| 3,728,537 | A | 4/1973  | Barenyi et al.   | 4,844,529 | A | 7/1989  | O'Saben          |
| 3,736,404 | A | 5/1973  | Eisler           | D304,437  | S | 11/1989 | Eash             |
| 3,785,699 | A | 1/1974  | Molaskey         | D304,819  | S | 11/1989 | Chapman et al.   |
| 3,815,700 | A | 6/1974  | Mittendorf       | 4,904,014 | A | 2/1990  | Azarovitz et al. |
| 3,866,524 | A | 2/1975  | Forbes, Jr.      | 4,923,241 | A | 5/1990  | Miller           |
| 3,866,527 | A | 2/1975  | Katris           | 4,929,013 | A | 5/1990  | Eke              |
| D239,705  | S | 4/1976  | Lund             | 4,966,404 | A | 10/1990 | Lund             |
| 3,987,863 | A | 10/1976 | Mittendorf       | D312,238  | S | 11/1990 | Lund             |
| 4,018,472 | A | 4/1977  | Mason, Jr.       | D319,209  | S | 8/1991  | Miller           |
| 4,039,221 | A | 8/1977  | Eady             | 5,042,551 | A | 8/1991  | Ein et al.       |
| 4,040,656 | A | 8/1977  | Clenet           | 5,048,868 | A | 9/1991  | Arenhold         |
| 4,043,587 | A | 8/1977  | Giallourakis     | 5,067,760 | A | 11/1991 | Moore            |
| 4,052,099 | A | 10/1977 | Lowery et al.    | 5,082,321 | A | 1/1992  | Brewer           |
| 4,063,773 | A | 12/1977 | Modesette        | 5,112,095 | A | 5/1992  | Lund et al.      |
| 4,089,256 | A | 5/1978  | Furcini          | 5,114,205 | A | 5/1992  | Jee              |
| 4,099,760 | A | 7/1978  | Mascotte         | D326,636  | S | 6/1992  | Barth            |
| 4,149,749 | A | 4/1979  | Canal            | 5,120,082 | A | 6/1992  | Ito              |
| 4,153,129 | A | 5/1979  | Redmond          | 5,130,906 | A | 7/1992  | Lund             |
| 4,159,845 | A | 7/1979  | Bratsberg        | 5,150,941 | A | 9/1992  | Silzer et al.    |
| D252,680  | S | 8/1979  | Kingsley et al.  | 5,183,303 | A | 2/1993  | Zoller           |
| 4,169,608 | A | 10/1979 | Logan            | 5,215,343 | A | 6/1993  | Fortune          |
| 4,174,021 | A | 11/1979 | Barlock          | 5,234,247 | A | 8/1993  | Pacer            |
| 4,174,850 | A | 11/1979 | Hart             | 5,238,268 | A | 8/1993  | Logan            |
| 4,178,034 | A | 12/1979 | Mittendorf       | 5,251,953 | A | 10/1993 | Willey           |
| 4,191,097 | A | 3/1980  | Groen            | 5,280,386 | A | 1/1994  | Johnson et al.   |
| 4,219,870 | A | 8/1980  | Haraden et al.   | 5,284,376 | A | 2/1994  | Zweigart         |
| D256,793  | S | 9/1980  | Logan            | 5,308,134 | A | 5/1994  | Stanesic         |
| 4,262,954 | A | 4/1981  | Thompson         | D348,242  | S | 6/1994  | Tsao             |
| D259,873  | S | 7/1981  | Milner           | 5,320,461 | A | 6/1994  | Stanesic         |
| D261,500  | S | 10/1981 | Butler           | 5,340,154 | A | 8/1994  | Scott            |
| 4,309,056 | A | 1/1982  | Long             | 5,348,363 | A | 9/1994  | Fink             |
| 4,320,919 | A | 3/1982  | Butler           | 5,353,571 | A | 10/1994 | Berdan et al.    |
| D264,833  | S | 6/1982  | Trombley et al.  | D352,491  | S | 11/1994 | Galasso          |
| 4,347,781 | A | 9/1982  | Hassell          | 5,403,059 | A | 4/1995  | Turner           |
| 4,364,591 | A | 12/1982 | Bien             | 5,456,786 | A | 10/1995 | Cook et al.      |
| 4,412,698 | A | 11/1983 | Kingsley         | 5,460,425 | A | 10/1995 | Stephens         |
| D272,429  | S | 1/1984  | Trombley et al.  | 5,475,956 | A | 12/1995 | Agrawal et al.   |
| 4,423,668 | A | 1/1984  | Long             | 5,522,634 | A | 6/1996  | Stanesic et al.  |
| D273,672  | S | 5/1984  | Lund             | D375,068  | S | 10/1996 | Lund             |
| 4,447,067 | A | 5/1984  | Yamashita        | 5,595,416 | A | 1/1997  | Horwill          |
| 4,471,991 | A | 9/1984  | Matthias         | 5,613,710 | A | 3/1997  | Waner            |
| 4,476,774 | A | 10/1984 | Liberto et al.   | D379,956  | S | 6/1997  | Baughman         |
| 4,493,577 | A | 1/1985  | Cosenza          | 5,636,892 | A | 6/1997  | Gordon           |
| 4,527,466 | A | 7/1985  | Kossor et al.    | 5,651,566 | A | 7/1997  | Arenhold         |
| 4,547,013 | A | 10/1985 | McDaniel         | D382,239  | S | 8/1997  | Logan et al.     |
| D283,120  | S | 3/1986  | Trombley et al.  | 5,660,428 | A | 8/1997  | Catlin           |
| D283,611  | S | 4/1986  | Kingsley         | 5,664,871 | A | 9/1997  | Thompson         |
| 4,592,937 | A | 6/1986  | Nagata et al.    | 5,676,418 | A | 10/1997 | Strefling        |
| D284,565  | S | 7/1986  | Trombley et al.  | 5,683,293 | A | 11/1997 | Mohammed         |
| 4,605,238 | A | 8/1986  | Arenhold         | 5,697,644 | A | 12/1997 | Loga et al.      |
| 4,621,824 | A | 11/1986 | Arenhold         | 5,718,283 | A | 2/1998  | Naty et al.      |
| 4,627,657 | A | 12/1986 | Daniels et al.   | 5,722,690 | A | 3/1998  | Ward et al.      |
| D288,309  | S | 2/1987  | Lund             | 5,755,483 | A | 5/1998  | Lund             |
| D288,310  | S | 2/1987  | Lund             | D395,365  | S | 6/1998  | Verbeek et al.   |
| 4,671,552 | A | 6/1987  | Anderson et al.  | D395,421  | S | 6/1998  | Gable et al.     |
| D291,295  | S | 8/1987  | Lund             | 5,791,719 | A | 8/1998  | Alley            |
| 4,685,718 | A | 8/1987  | Steenblik et al. | 5,797,645 | A | 8/1998  | Schenk et al.    |
| 4,700,980 | A | 10/1987 | Josefczak        | 5,823,553 | A | 10/1998 | Thompson         |
| 4,707,014 | A | 11/1987 | Rich             | 5,829,786 | A | 11/1998 | Dahl             |
|           |   |         |                  | 5,851,044 | A | 12/1998 | Lund             |
|           |   |         |                  | D403,639  | S | 1/1999  | Gale et al.      |
|           |   |         |                  | D404,698  | S | 1/1999  | Schenk et al.    |
|           |   |         |                  | 5,925,425 | A | 7/1999  | Nelson           |

(56)

## References Cited

| U.S. PATENT DOCUMENTS |    |           |                       |            |    |           |                        |
|-----------------------|----|-----------|-----------------------|------------|----|-----------|------------------------|
| 5,879,045             | A  | 9/1999    | Logan                 | D570,509   | S  | 6/2008    | Logan                  |
| D415,354              | S  | 10/1999   | Horwill et al.        | D570,754   | S  | 6/2008    | Kim et al.             |
| 5,984,401             | A  | 11/1999   | Hannah                | D580,328   | S  | 11/2008   | Jones                  |
| 5,988,305             | A  | 11/1999   | Sakai et al.          | D582,825   | S  | 12/2008   | Logan                  |
| 6,019,414             | A  | 2/2000    | Pourciau, Sr.         | D586,270   | S  | 2/2009    | Suga et al.            |
| 6,027,156             | A  | 2/2000    | Lund et al.           | D590,756   | S  | * 4/2009  | Williams ..... D12/184 |
| 6,042,473             | A  | 3/2000    | McClary               | D591,654   | S  | 5/2009    | Williams et al.        |
| D422,541              | S  | 4/2000    | Richter               | D591,655   | S  | * 5/2009  | Golden ..... D12/184   |
| D424,495              | S  | 5/2000    | Damon et al.          | D591,656   | S  | 5/2009    | Golden et al.          |
| D424,496              | S  | 5/2000    | Damon et al.          | D591,657   | S  | * 5/2009  | Golden ..... D12/184   |
| 6,070,908             | A  | 6/2000    | Skrzypchak            | D591,658   | S  | 5/2009    | Golden et al.          |
| 6,099,064             | A  | 8/2000    | Lund                  | 7,537,253  | B2 | 5/2009    | Rosen et al.           |
| 6,099,065             | A  | 8/2000    | Lund                  | 7,578,527  | B2 | 8/2009    | Iverson et al.         |
| D431,511              | S  | 10/2000   | Damon et al.          | 7,589,622  | B2 | 9/2009    | Farley                 |
| D432,476              | S  | 10/2000   | Damon et al.          | D608,546   | S  | 1/2010    | Dicker et al.          |
| 6,131,681             | A  | 10/2000   | Nelson et al.         | D610,511   | S  | 2/2010    | Dubanowski et al.      |
| D436,335              | S  | 1/2001    | Beigel                | 7,717,467  | B2 | 5/2010    | Iverson                |
| 6,193,278             | B1 | 2/2001    | Ward et al.           | 7,762,876  | B2 | 7/2010    | McClary                |
| D438,495              | S  | 3/2001    | Bobo                  | 7,766,356  | B2 | 8/2010    | Iverson                |
| 6,205,642             | B1 | 3/2001    | Czirmer               | D623,103   | S  | 9/2010    | Braga                  |
| 6,350,195             | B1 | 2/2002    | Iino                  | 7,857,352  | B2 | 12/2010   | Logan                  |
| 6,460,914             | B2 | 10/2002   | Gille et al.          | D644,972   | S  | 9/2011    | Beigel et al.          |
| D467,018              | S  | 12/2002   | Shih et al.           | 8,061,747  | B2 | 11/2011   | Shoup et al.           |
| 6,511,109             | B1 | 1/2003    | Schultz et al.        | 8,118,329  | B2 | 2/2012    | Braga                  |
| D472,655              | S  | 4/2003    | Lin                   | 8,127,501  | B2 | 3/2012    | Nakao                  |
| 6,547,305             | B1 | 4/2003    | Ellis                 | 8,147,300  | B2 | 4/2012    | Lunghofer              |
| 6,547,306             | B2 | 4/2003    | Espinose et al.       | 8,360,500  | B2 | 1/2013    | Mishimagi              |
| 6,551,540             | B1 | 4/2003    | Porter                | 8,382,193  | B2 | 2/2013    | Ezaka                  |
| 6,557,927             | B2 | 5/2003    | Kanie                 | D688,611   | S  | * 8/2013  | Liao ..... D12/190     |
| D478,303              | S  | 8/2003    | Iverson et al.        | D688,612   | S  | 8/2013    | Liao                   |
| D478,538              | S  | 8/2003    | Iverson et al.        | D695,171   | S  | 12/2013   | Riggs et al.           |
| D482,992              | S  | * 12/2003 | Hattori ..... D12/184 | D699,169   | S  | 2/2014    | Waclawski et al.       |
| D483,312              | S  | * 12/2003 | Saleen ..... D12/184  | 8,651,554  | B1 | 2/2014    | Patelczyk et al.       |
| 6,682,126             | B2 | 1/2004    | Kanie                 | D704,614   | S  | 5/2014    | Larson                 |
| D488,751              | S  | 4/2004    | Szczesny              | D707,164   | S  | 6/2014    | Lee                    |
| 6,722,730             | B2 | 4/2004    | Lydan et al.          | D712,324   | S  | 9/2014    | McFarlin et al.        |
| D490,176              | S  | 5/2004    | Lin                   | 8,998,290  | B2 | 4/2015    | Serentill et al.       |
| 6,736,353             | B1 | 5/2004    | Erben                 | 9,121,426  | B2 | 9/2015    | Jagoda                 |
| D491,858              | S  | 6/2004    | Velazco               | D744,385   | S  | * 12/2015 | Harriton ..... D12/169 |
| 6,752,446             | B2 | 6/2004    | Espinose et al.       | 9,272,605  | B1 | 3/2016    | Gong                   |
| 6,805,389             | B1 | 10/2004   | Schellenberg          | 9,302,639  | B2 | 4/2016    | Patelczyk              |
| 6,810,950             | B1 | 11/2004   | Manze, III            | D762,147   | S  | 7/2016    | Messale et al.         |
| 6,830,119             | B2 | 12/2004   | Whitworth             | D765,569   | S  | 9/2016    | Hall et al.            |
| 6,854,545             | B1 | 2/2005    | Elwell                | D778,795   | S  | 2/2017    | Johns et al.           |
| 6,910,316             | B2 | 6/2005    | Espinose et al.       | D778,795   | S  | 2/2017    | Johns et al.           |
| 6,959,948             | B2 | 11/2005   | Varnhagen et al.      | 9,616,945  | B1 | 4/2017    | Henderson et al.       |
| D516,481              | S  | 3/2006    | Metros et al.         | 9,630,481  | B2 | 4/2017    | Rose et al.            |
| D517,965              | S  | * 3/2006  | Metros ..... D12/190  | 9,650,005  | B2 | 5/2017    | Patelczyk et al.       |
| 7,028,797             | B2 | 4/2006    | White                 | D792,822   | S  | * 7/2017  | Platto ..... D12/184   |
| 7,029,051             | B2 | 4/2006    | Espinose et al.       | D795,767   | S  | * 8/2017  | Platto ..... D12/184   |
| 7,036,873             | B2 | 5/2006    | Pommeret et al.       | D795,768   | S  | 8/2017    | Platto et al.          |
| 7,044,524             | B2 | 5/2006    | Luetze et al.         | D801,896   | S  | * 11/2017 | Ito ..... D12/181      |
| D522,427              | S  | 6/2006    | Beigel et al.         | 9,834,161  | B2 | 12/2017   | Mettler                |
| 7,114,749             | B2 | 10/2006   | Ward                  | 9,878,600  | B2 | 1/2018    | Rose et al.            |
| 7,131,683             | B1 | 11/2006   | Gong                  | D814,354   | S  | 4/2018    | Fisker                 |
| D533,810              | S  | 12/2006   | Metsugi et al.        | 10,081,322 | B2 | 9/2018    | Patelczyk et al.       |
| D533,820              | S  | 12/2006   | Sonoda et al.         | 10,166,844 | B2 | 1/2019    | Rose et al.            |
| 7,144,075             | B2 | 12/2006   | Shishikura            | D839,806   | S  | 2/2019    | Chi                    |
| 7,156,452             | B2 | 1/2007    | Schumacher et al.     | D841,549   | S  | 2/2019    | Hopkins                |
| 7,166,350             | B2 | 1/2007    | Murayama              | 10,266,038 | B2 | 4/2019    | Serentill et al.       |
| D536,809              | S  | 2/2007    | James                 | D851,001   | S  | * 6/2019  | Guo ..... D12/184      |
| 7,172,240             | B1 | 2/2007    | Kaufman               | D855,519   | S  | 8/2019    | Bundy et al.           |
| D539,710              | S  | 4/2007    | Kouyama               | D856,878   | S  | * 8/2019  | Harriton ..... D12/184 |
| 7,204,543             | B2 | 4/2007    | Mishimaji             | D857,571   | S  | 8/2019    | Harriton et al.        |
| 7,222,884             | B2 | 5/2007    | Callan et al.         | D858,385   | S  | 9/2019    | Phillips               |
| D545,253              | S  | 6/2007    | Jones                 | D860,082   | S  | 9/2019    | Poyorena et al.        |
| 7,232,246             | B2 | 6/2007    | Kleber et al.         | D860,083   | S  | 9/2019    | Poyorena et al.        |
| D546,253              | S  | 7/2007    | Lee et al.            | D861,561   | S  | 10/2019   | Mallicote et al.       |
| D546,935              | S  | 7/2007    | Arrowood              | D863,159   | S  | 10/2019   | Goodrich et al.        |
| 7,246,842             | B2 | 7/2007    | Yamada                | D867,245   | S  | * 11/2019 | Ito ..... D12/184      |
| D548,660              | S  | 8/2007    | Jenkins               | D870,620   | S  | 12/2019   | Hallgren               |
| D556,657              | S  | 12/2007   | Elwell et al.         | D875,006   | S  | 2/2020    | DiCanzio               |
| D564,414              | S  | 3/2008    | Okue                  | 10,611,215 | B2 | 4/2020    | Rose et al.            |
| D564,425              | S  | 3/2008    | Okue                  | 10,625,696 | B2 | 4/2020    | Crismon                |
| 7,377,564             | B1 | 5/2008    | Baffy et al.          | D883,156   | S  | 5/2020    | Joudo                  |
|                       |    |           |                       | 10,647,280 | B2 | 5/2020    | Patelczyk et al.       |
|                       |    |           |                       | 10,675,953 | B2 | 6/2020    | Serentill et al.       |
|                       |    |           |                       | D898,640   | S  | 10/2020   | Rose                   |
|                       |    |           |                       | D906,200   | S  | * 12/2020 | Bibb, VI ..... D12/181 |
|                       |    |           |                       | D906,202   | S  | * 12/2020 | Bibb, VI ..... D12/184 |

(56)

**References Cited**

U.S. PATENT DOCUMENTS

|              |     |         |                  |                       |
|--------------|-----|---------|------------------|-----------------------|
| 2001/0040383 | A1  | 11/2001 | Lund et al.      |                       |
| 2002/0079716 | A1  | 6/2002  | Espinose         |                       |
| 2002/0158460 | A1  | 10/2002 | Logan            |                       |
| 2003/0178870 | A1  | 9/2003  | Angelo et al.    |                       |
| 2003/0178879 | A1  | 9/2003  | Uramichi         |                       |
| 2003/0184113 | A1  | 10/2003 | Espinose et al.  |                       |
| 2004/0006855 | A1  | 1/2004  | Kinzel           |                       |
| 2004/0140664 | A1  | 7/2004  | Ward             |                       |
| 2004/0189037 | A1  | 9/2004  | Espinose et al.  |                       |
| 2005/0204703 | A1  | 9/2005  | Espinose et al.  |                       |
| 2005/0217911 | A1  | 10/2005 | Cheng            |                       |
| 2005/0275212 | A1  | 12/2005 | Angelaitis       |                       |
| 2006/0181088 | A1  | 8/2006  | Cobble et al.    |                       |
| 2006/0226678 | A1  | 10/2006 | Chang            |                       |
| 2008/0001390 | A1  | 1/2008  | Iverson          |                       |
| 2008/0217958 | A1  | 9/2008  | Banry et al.     |                       |
| 2008/0311349 | A1  | 12/2008 | Johnson          |                       |
| 2009/0167011 | A1  | 7/2009  | Braga            |                       |
| 2010/0007169 | A1  | 1/2010  | Nguyen           |                       |
| 2012/0073767 | A1  | 3/2012  | Graziano         |                       |
| 2013/0270870 | A1  | 10/2013 | O'Brien          |                       |
| 2015/0021937 | A1  | 1/2015  | Perez            |                       |
| 2016/0144902 | A1* | 5/2016  | Sartorio .....   | B62D 25/18<br>280/848 |
| 2018/0118142 | A1  | 5/2018  | Wymore           |                       |
| 2018/0229646 | A1  | 8/2018  | Van Buren et al. |                       |
| 2019/0233020 | A1* | 8/2019  | Frederick .....  | B60R 13/04            |
| 2020/0398647 | A1  | 12/2020 | Serentill et al. |                       |

\* cited by examiner

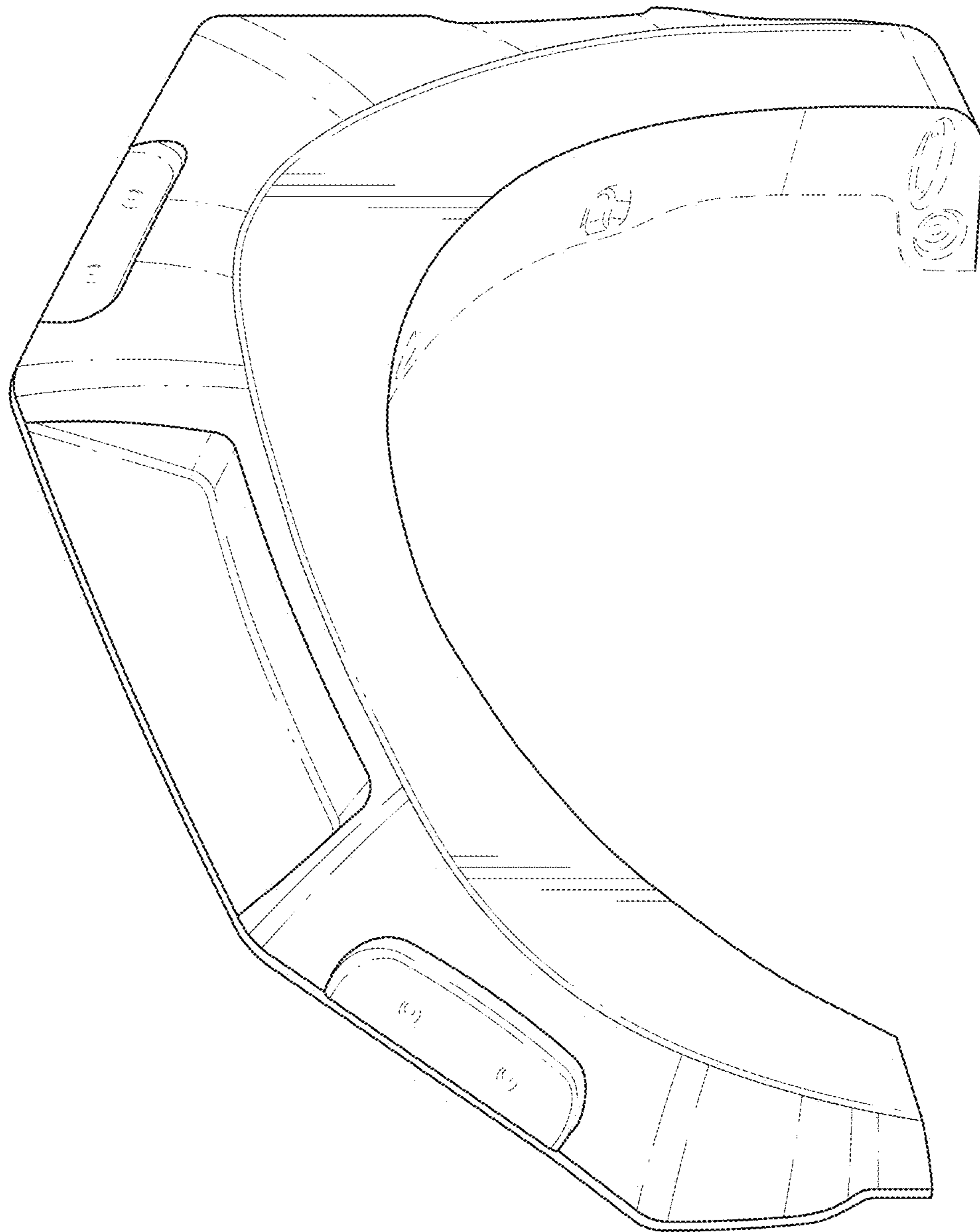


FIG. 1

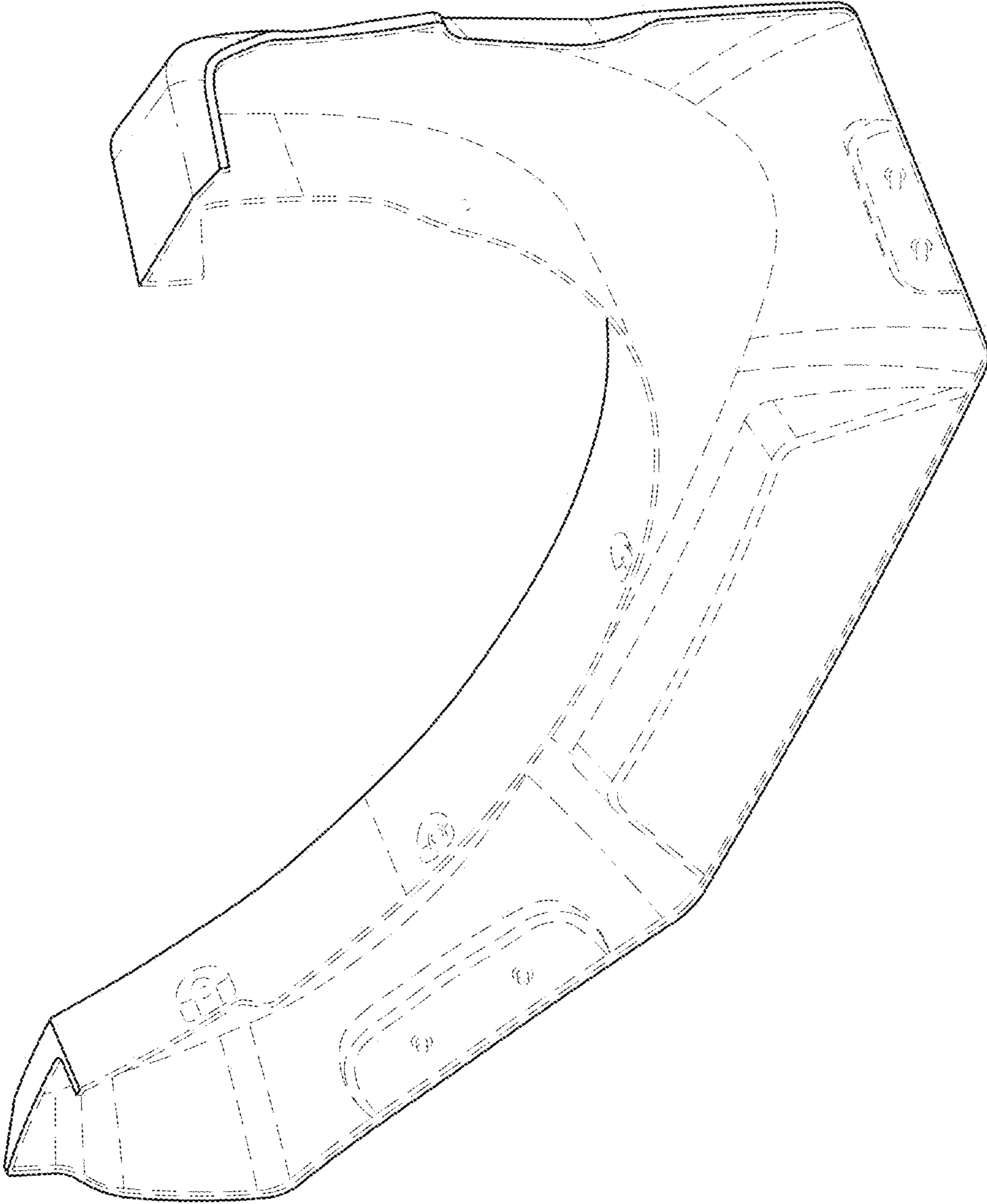


FIG. 2

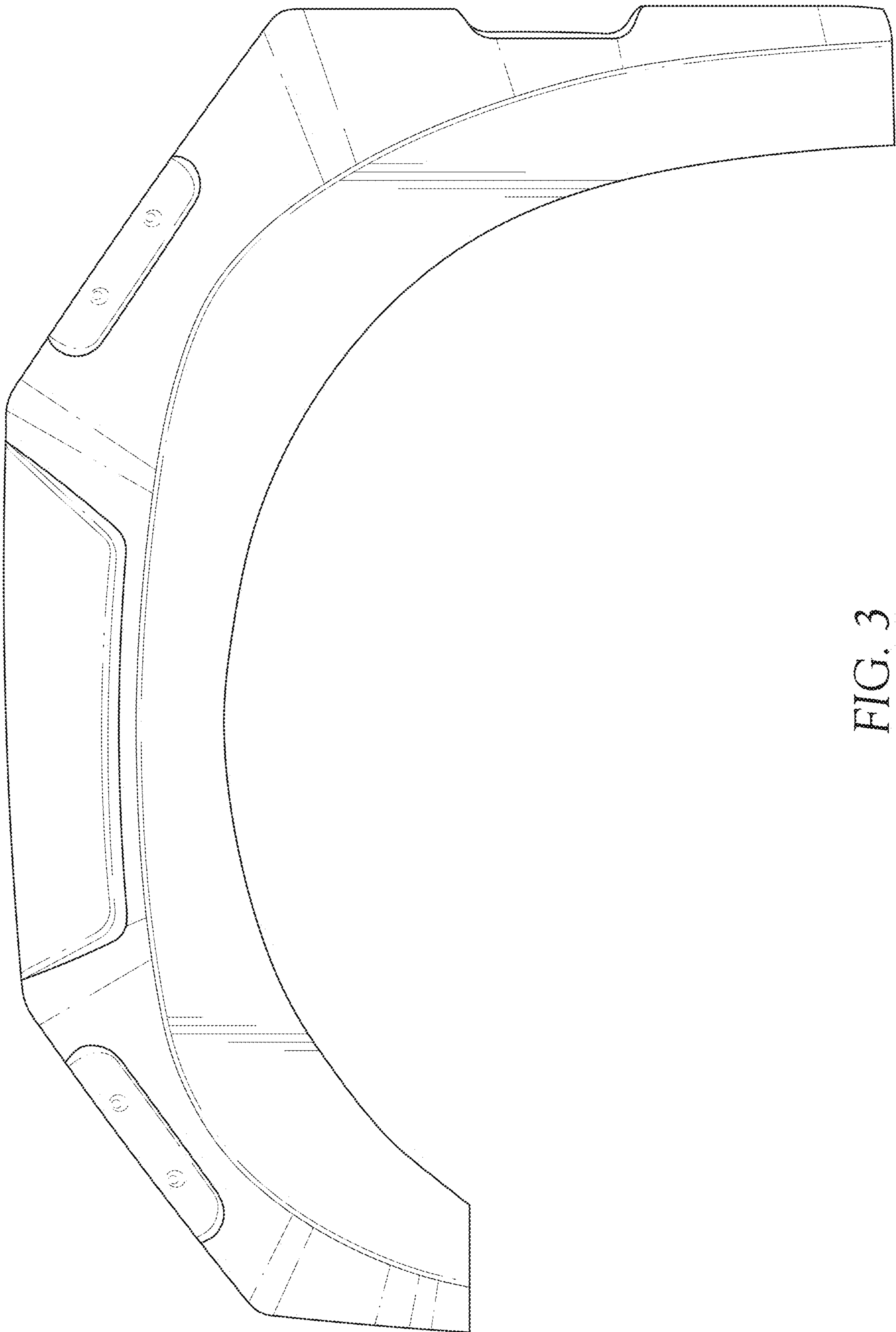


FIG. 3

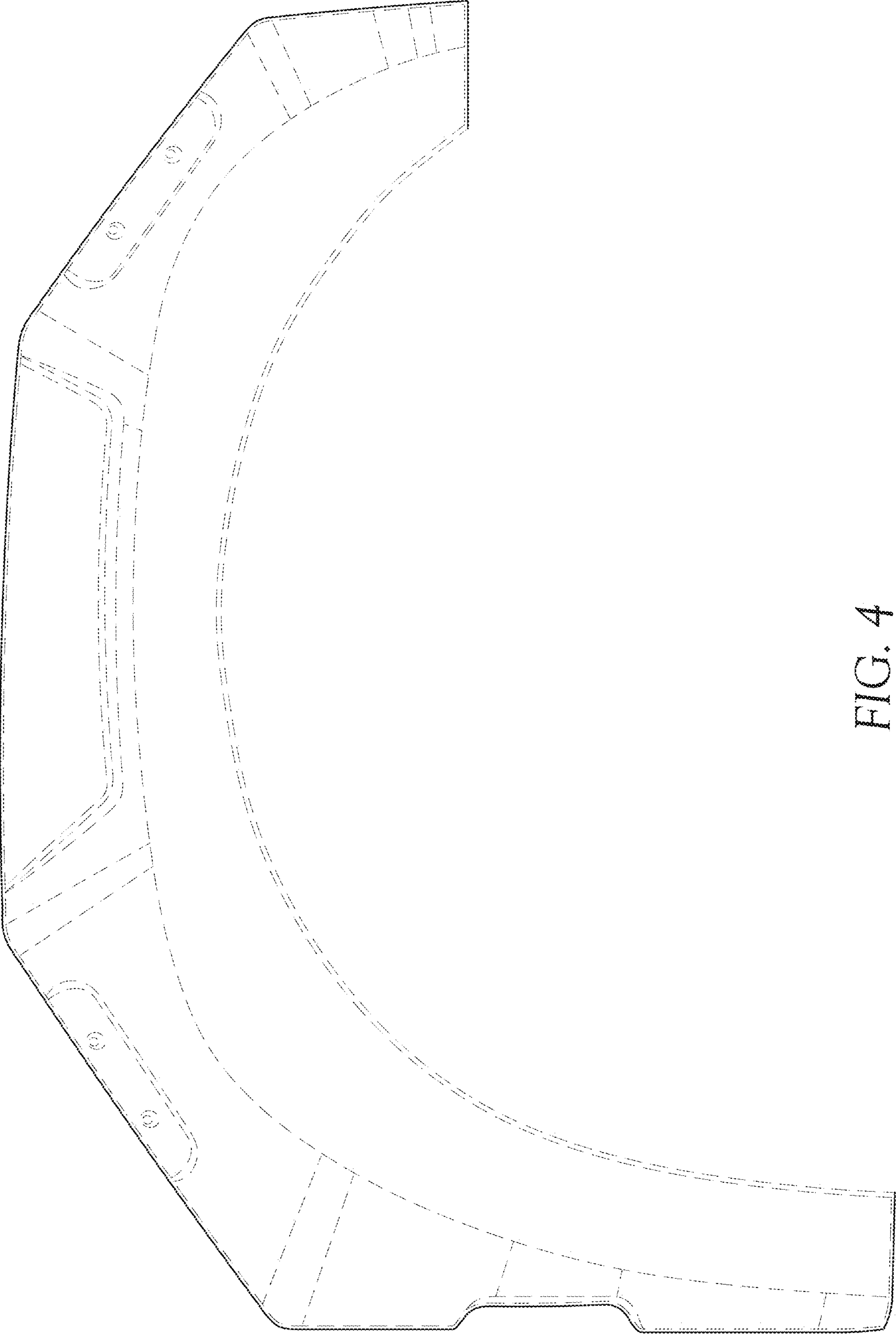


FIG. 4



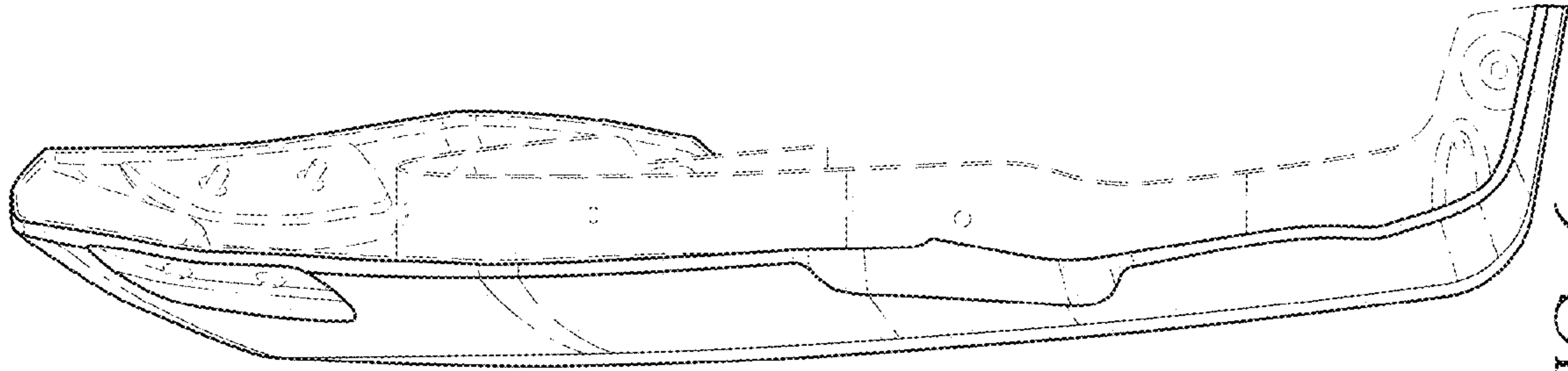


FIG. 5

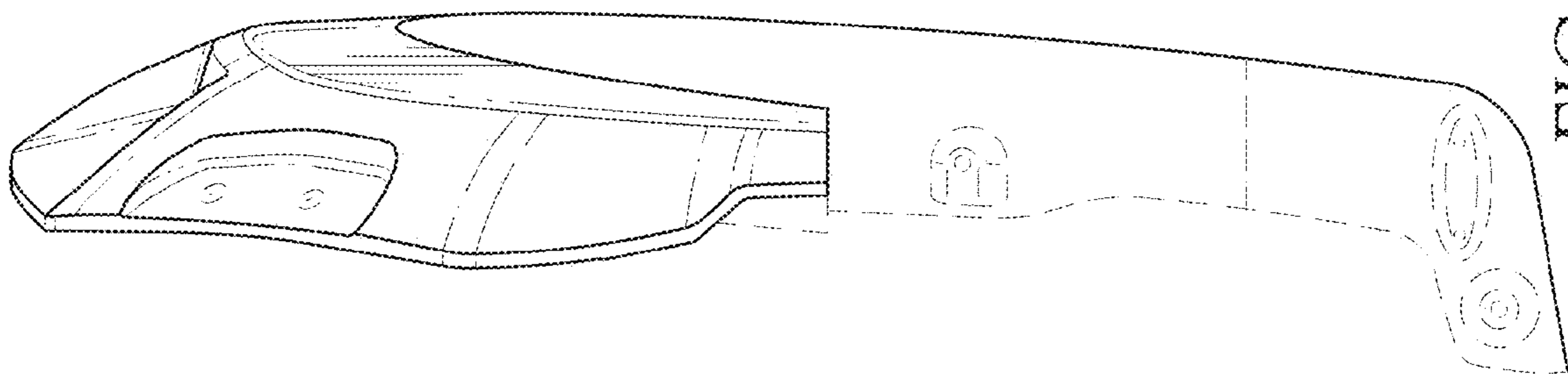


FIG. 6

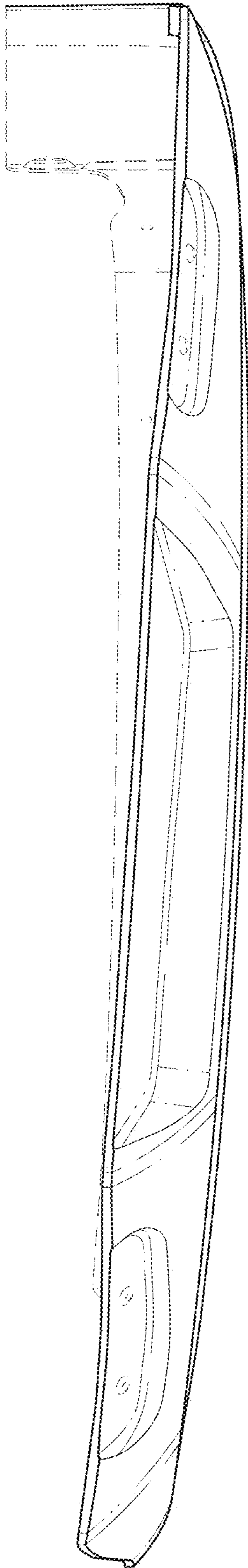


FIG. 7

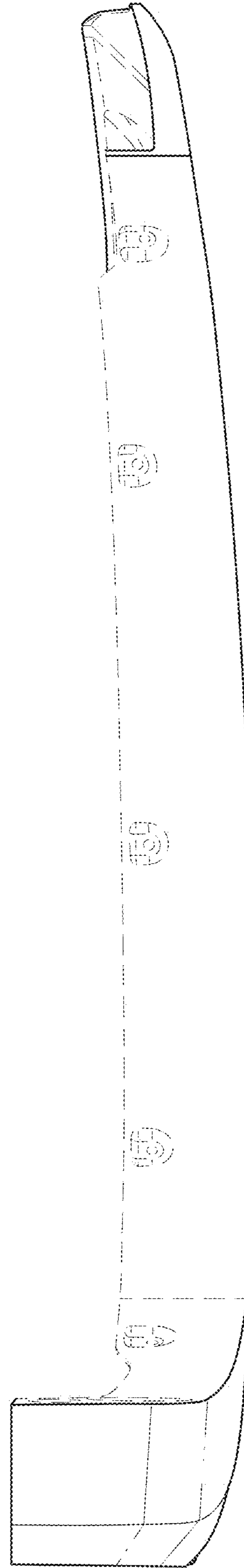


FIG. 8